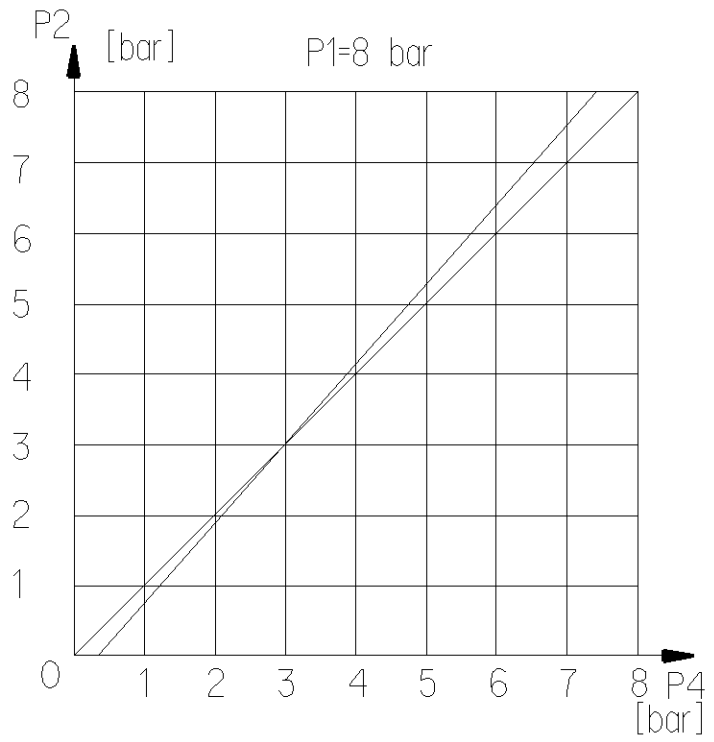
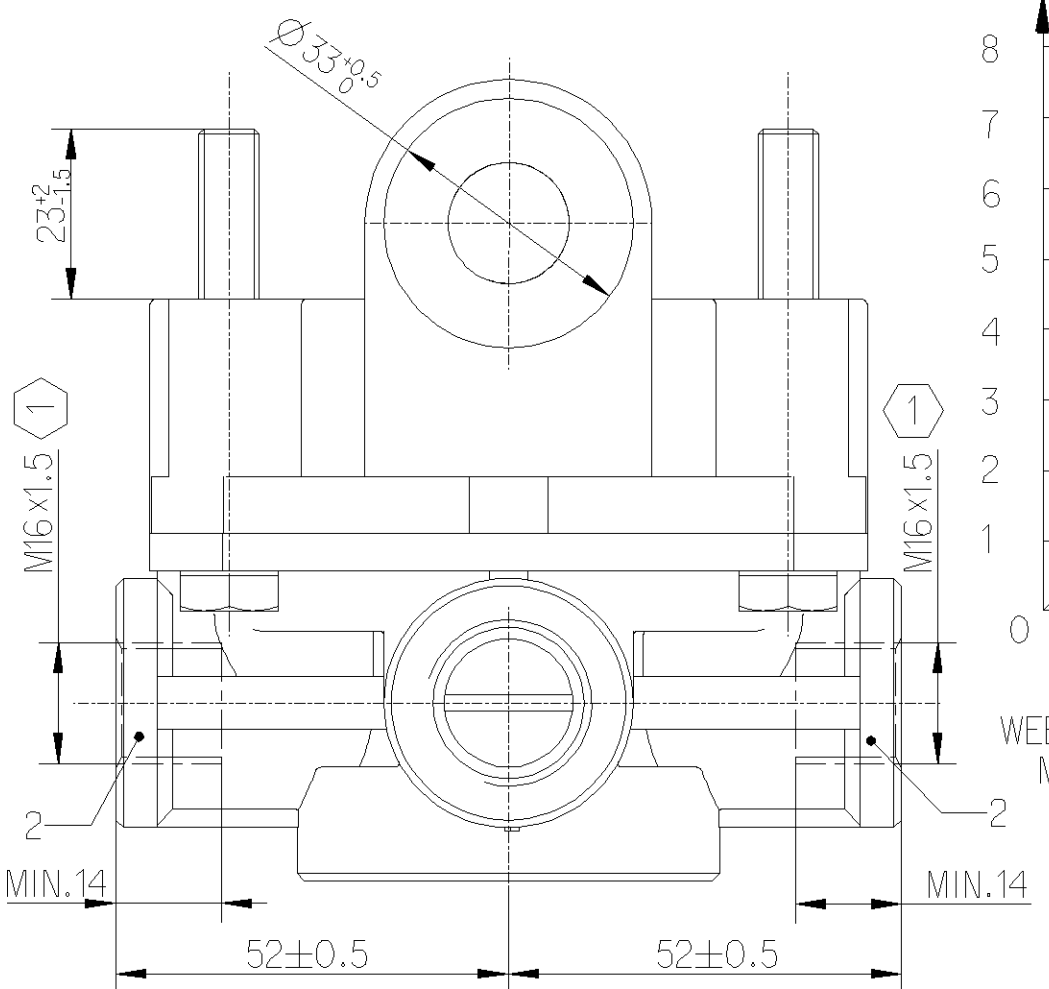
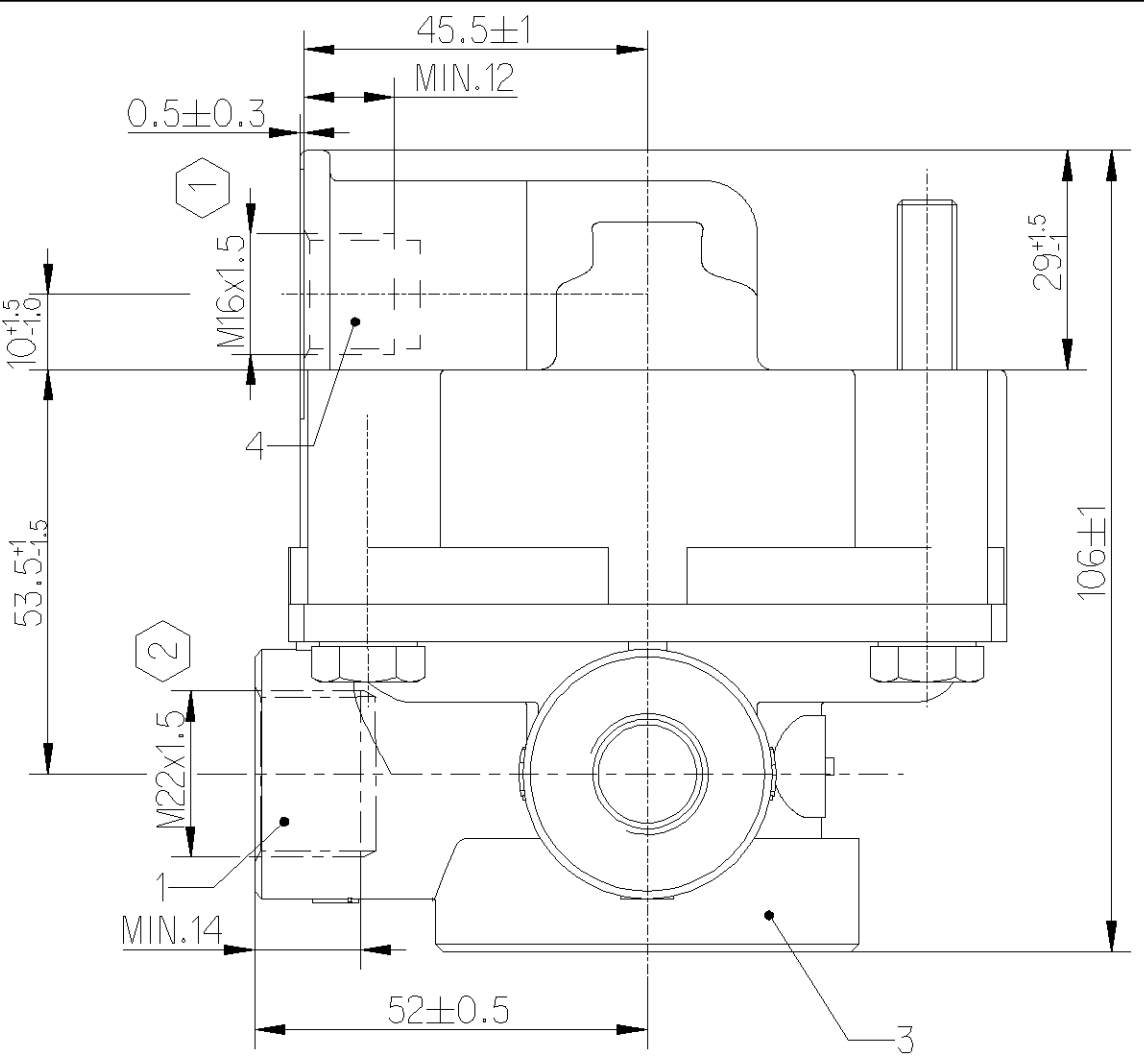


Non e permesso consegnare a terzi o riprodurre questo documento, ne utilizzare il contenuto o renderlo comunque noto a terzi senza autorizzazione esplicita. Ogni infrazione costituirà un evidente abuso e comporterà il risarcimento dei danni subiti. E' fatta riserva di tutti i diritti derivanti da brevetti o modelli.

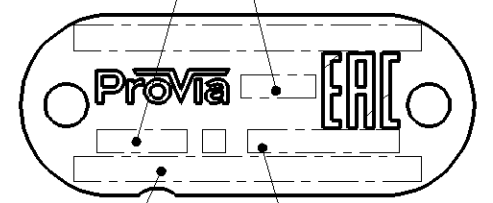
Toute communication ou reproduction de ce document, toute exploitation ou communication de son contenu sont interdites, sauf autorisation expresse. Tout manquement a cette regle constitue un abus evident et expose son auteur au versement de dommages et interets. Tous droits de propriete industrielle reserves, notamment en matiere de brevets et de modeles.

Copying of this document and giving it to others and the use or communication of the contents thereof, are forbidden without express authority. Contrivention of this restriction will constitute an evident abuse and result in a liability to the payment of damages. All rights are reserved in the event of the grant of patent or registration of a utility model or design. This document is the subject of copyright.

Weitergabe sowie Vervielfältigung dieser Unterlage, Verwertung und Mitteilung ihres Inhalts nicht gestattet, soweit nicht ausdrücklich zugestanden. Zuwiderhandlungen stellen einen offensichtlichen Missbrauch dar und verpflichten zu Schadenersatz. Alle Rechte fuer den Fall der Patenterteilung oder Gebrauchsmuster-Eintragung vorbehalten.

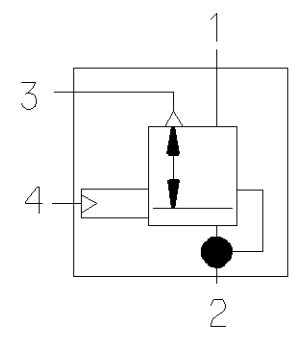


WEEK/YEAR OF MANUFACTURE
MANUFACTURING PLANT



PROVIA IDENTIFICATION NUMBER
ADJUSTED PRESSURE

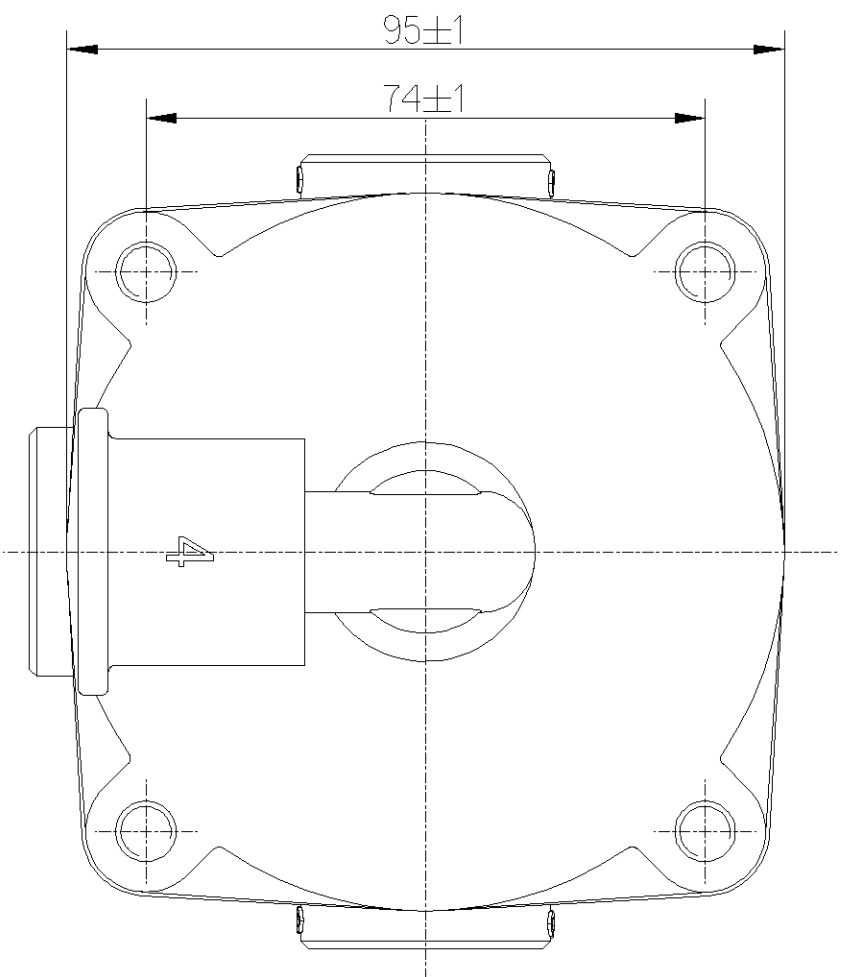
SCHEMATIC DIAGRAM



- 1 - SUPPLY
- 2 - DELIVERY PRESSURE
- 3 - EXHAUST
- 4 - CONTROL PRESSURE

- ① TORQUE MAX: 34 NM
- ② TORQUE MAX: 53 NM

TECHNICAL INFORMATION:
 MEDIUM: AIR
 WORKING PRESSURE: 8 BAR
 SUPPLY PRESSURE: 22 BAR
 WORKING TEMPERATURE: -40°C ... +80°C
 OTHERS: ACCORDING TO QC/T35



General Specification: ISO 8015, JED-334-1, Size ISO 14405 LP		Copyright WABCO®		ProVia Relay Valve	
Further Technical Data: Product Specification		Date	Signature		
Doc. Code: O35	Sheet: 1 To 7	2022-05-10	Pakula		
General Tolerances JED-261		2022-05-10	Pawlowski		
Range of Nominal Dimensions (± mm)		Checked		Dimensions in mm	
Class 1)	≤ 50	> 50 ≤ 180	> 180 ≤ 400	> 400	±3°
Fine	±0.5	±1	±1.5	±2	
Medium	±1	±2	±3	±4	
Coarse	±2	±3.5	±5	±6.5	
Tapped Holes acc. -		Mass	Scale	Material No.	
1) Tolerance Class Applied Crossmarked		1.1 kg	1:1 (2:1)	PRO 643 020 0	
		Size	CAD System	ECN-No.	Revision
		A 3	CREO	-	-
		Date of first issue: 2022-05-10		Techn. Resp.	Replacement for
		Doc.Code Language Sheet		5220_AM	-
		005 EN 1/1			