

| MATERIAL AND SURFACE PROTECTION | |
|---------------------------------|--------------------------|
| I | AL JED-029M1 / JED-259 |
| II | FE JED-021M1 / JED-256-4 |
| III | FE JED-051M1 / JED-739-4 |
| IV | POM JED-005M0 |

ProVia IDENTIFICATION NUMBER
 ProVia TEILE NUMMER
 NUMERO D'IDENTIFICATION ProVia
 NUMERO D'IDENTIFICAZIONE



MANUFACTURING PLANT
 PRODUKTIONSSTAETTE
 LIEU DE FABRICATION
 LUOGO DI FABRICAZIONE

WEEK / YEAR OF MANUFACTURE
 FERTIGUNGSWOCHE / JAHR
 SEMAINE / ANNEE DE FABRICATION
 SETTIMANA / ANNO DELLA FABRICAZIONE

MAX. PERMISSIBLE PRESSURE (TEMPORARY WITHOUT FUNCTION):
 MAXIMAL ZULAESSIGER DRUCK (KURZZEITIG OHNE FUNKTION):
 PRESSION MAXIMALE ADMISSIBLE (DE COURTE DUREE SANS FONCTION):
 MASSIMA PRESSIONE AMMISSIBILE (BREVE TEMPO SOLO SENZA FUNZIONE):

$p_e \text{ max.} = 20 \text{ bar}$

MEDIUM: AIR
 MEDIUM: LUFT
 FLUIDE: AIR
 FLUIDO: ARIA

THERMAL RANGE OF APPLICATION:
 THERMISCHER ANWENDUNGSBEREICH:
 GAMME D'APPLICATION THERMIQUE:
 CAMPO DI APPLICAZIONE TERMICA:

$-40^\circ\text{C} \dots +80^\circ\text{C}$

NOMINAL DIAMETER MIN.:
 MIN. FREIER DURCHGANG:
 DIAMETRE NOMINAL MIN.:
 DIAMETRO NOMINALE MIN.:

$\varnothing 10 \text{ mm (78.5 mm}^2\text{)}$

INSTALLATION POSITION AS DRAWN:
 EINBAULAGE WIE GEZEICHNET:
 POSITION D'INSTALLATION SUIVANT DESSIN:
 POSIZIONE DI MONTAGGIO COME DISEGNATO:

$\pm 45^\circ$

INLET PRESSURE:
 1= EINGESTEUERTER DRUCK:
 PRESSION D'ALIMENTATION:
 PRESSIONE DI ALIMENTAZIONE:

$p_1 = 11 \text{ bar}$

DELIVERY PRESSURE
 2= AUSGESTEUERTER DRUCK
 PRESSION DELIVREE
 PRESSIONE EROGATA

PRESSURE LIMITATION:
 DRUCKBEGRENZUNG:
 LIMITATION DE PRESSION:
 LIMITAZIONE DELLA PRESSIONE:

$p_2 = 9.5 \pm 0.4 \text{ bar}$

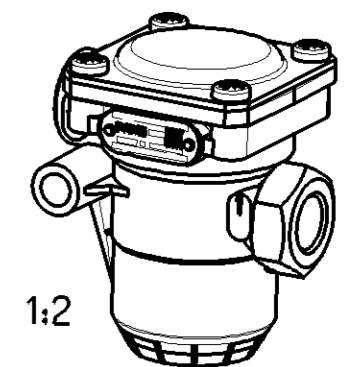
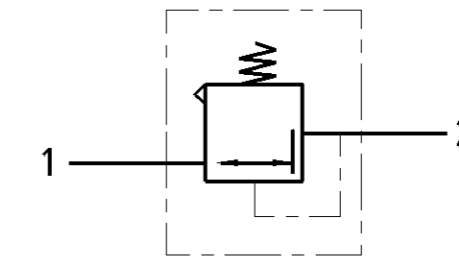
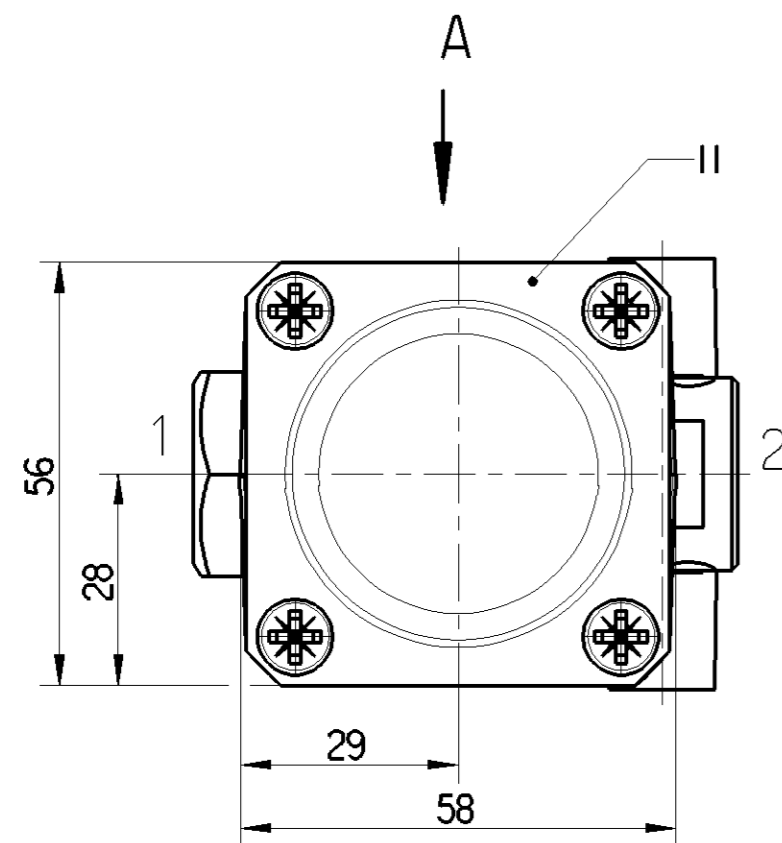
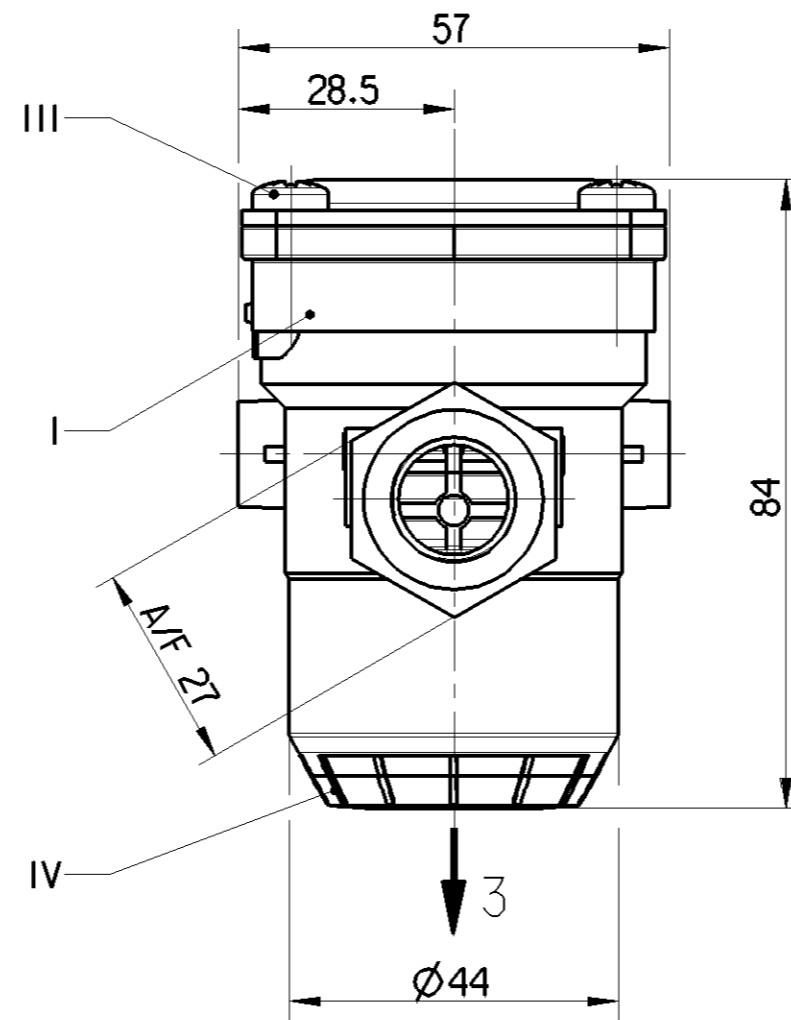
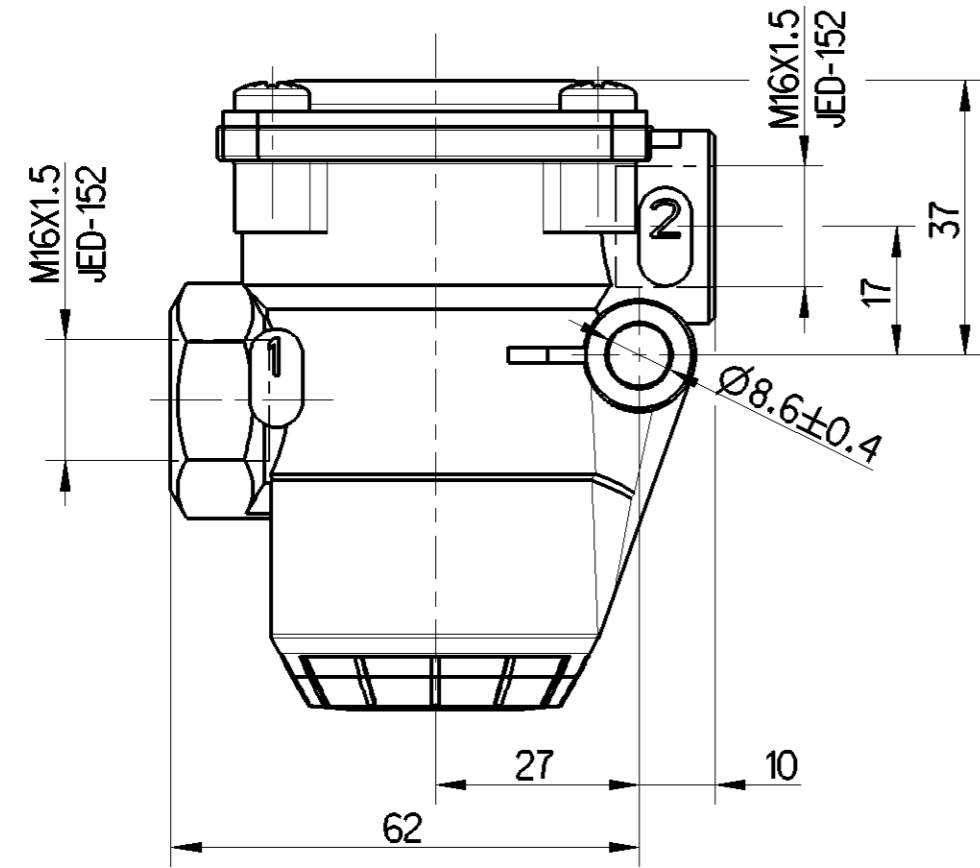
EXHAUST
 3= ENTLUEFTUNG
 ECHAPPEMENT
 SCARICO

OPENING OF SAFETY VALVE
 OEFFNUNG DES SICHERHEITSVENTILS
 OUVERTURE DE LA SOUPEPE DE SECURITE
 APERTURA DELLA VALVOLA DI SICUREZZA

$p_2 + 2.5 \text{ bar (MAX.)}$

TORQUE FOR CONNECTIONS:
 ANZUGSMOMENT FUER EINSCHRAUBSTUTZEN:
 COUPLE DE SERRAGE DES RACCORDS:
 COPPIA DI SERRAGGIO DEI RACCORDI:

$M16x1.5: M_{\text{max.}} = 34 \text{ Nm}$



| | | | | | |
|---|--------------------------------------|------------------|---------------|----------------------------------|--|
| General Specification: JED-334-1, Size ISO 14405 LP | | Copyright WABCO® | | ProVia | |
| Further Technical Data: PRO 643 031 0 (A) | | Date | Signature | PRESSURE LIMITING VALVE | |
| Doc. Code: 035 | Sheet: 1 To 5 | 2019-10-31 | Kolkowski | DRUCKBEGRENZUNGSVENTIL | |
| General Tolerances JED-261 | | 2019-10-31 | Marcinkiewicz | VALVE DE LIMITATION DE PRESSION | |
| Range of Nominal Dimensions (± mm) | | Expert | | VALVOLA LIMITATRICE DI PRESSIONE | |
| Class | 1) ≤ 50 > 50 ≤ 180 > 180 ≤ 400 > 400 | Kolkowski | | | |
| Fine | 0.5 1.0 1.5 2.0 | Mass | Scale | Material No. | |
| Medium | 1.0 2.0 3.0 4.0 | 0.377 | 1:1 | Date of first issue: 2019-06-03 | |
| Coarse | 2.0 3.5 5.0 6.5 | KG | (1:2) | Doc. Code Language Sheet | |
| Tapped Holes acc. JED-152 | | Size | CAD System | 005 ML 1/1 | |
| 1) Tolerance Class Applied Crossmarked | | A 2 | CREO | Replacement for | |
| | | ECN-No. | Revision | Techn. Resp. | |
| | | 502818 | 1 x A | 5160_AM | |

Non e permesso copiare o terzi o riprodurre questo documento, ne utilizzare il contenuto o renderlo comunque noto o terzi senza autorizzazione esplicita. Ogni infrazione costituisce un evidente abuso e comportera il risarcimento dei danni subiti. E' fatta riserva di tutti i diritti derivanti da brevetti o modelli.

Toute communication ou reproduction de ce document, toute exploitation ou communication de son contenu sont interdites, sauf autorisation expresse. Tout manquement a cette regle constitue un abus evident et expose son auteur au versement de dommages et interets. Tous droits de proprieete industrielle reserves, notamment en matiere de brevets et de modesles.

Copying of this document and giving it to others and the use or communication of the contents thereof, are forbidden without express authority. Contravention of this restriction will constitute an evident abuse and result in a liability to the payment of damages. All rights are reserved in the event of the grant of patent or registration of a utility model or design. This document is the subject of copyright.

Weitergabe sowie Vervielfaeltigung dieser Unterlagen, Verleihen und Mitteilen ihres Inhalts nicht gestattet, soweit nicht ausdru cklich ansonstern, weitergegeben, stehen einem offensichtlichen Missbrauch dar und verpflichten zu Schadenersatz. Alle Rechte fuer den Fall der Patenterteilung oder Gebrauchsmuster-Eintragung vorbehalten.

dw: PRO6430310...005 / Version: -2 / state: Approved / mdt: PRO6430310...A02