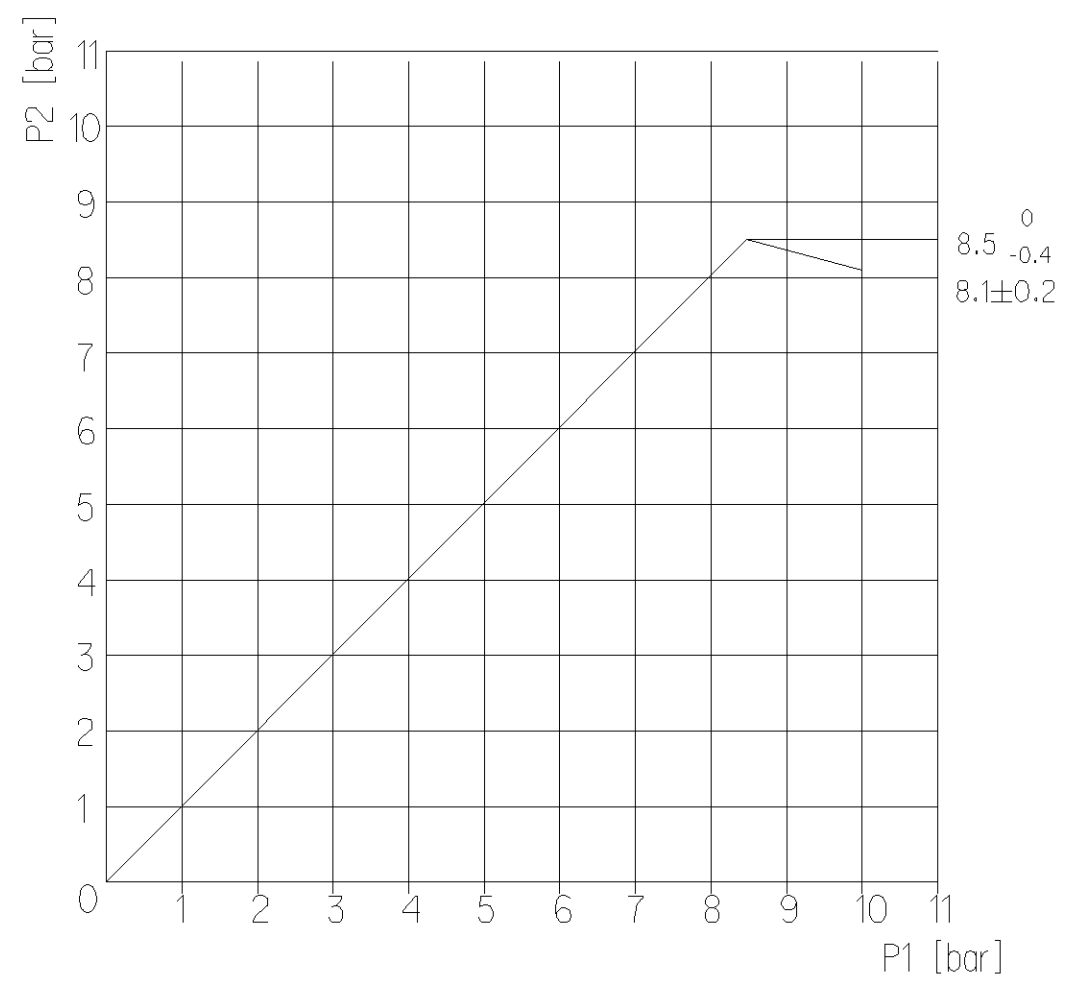
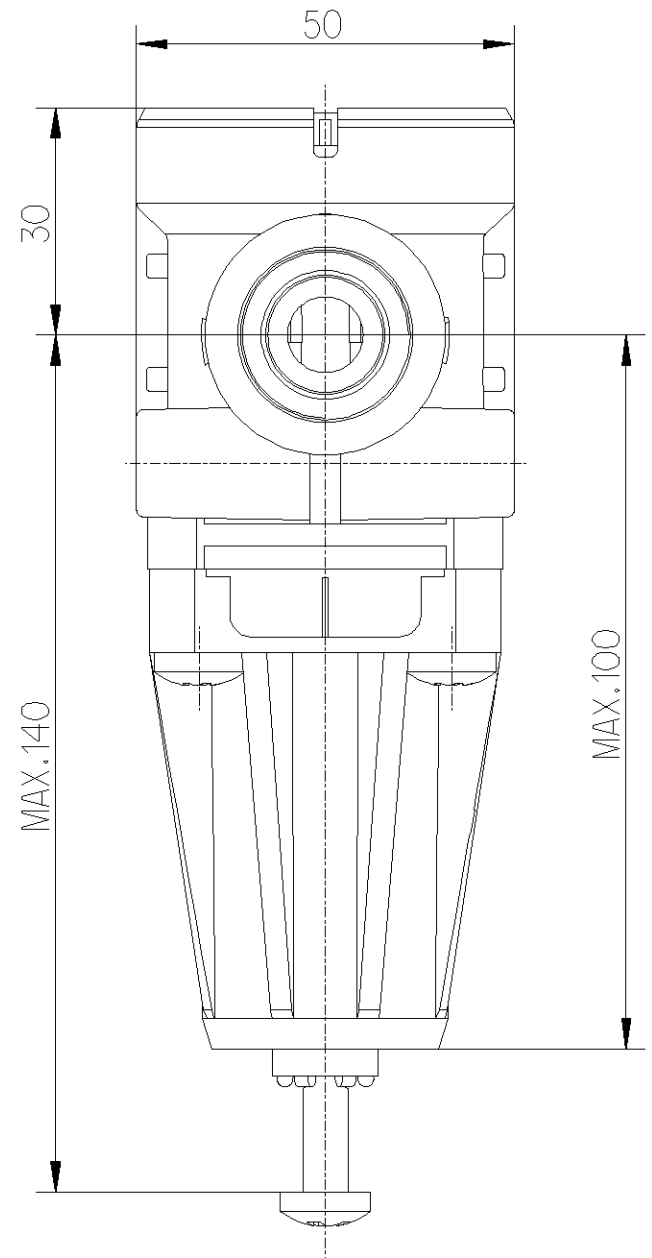
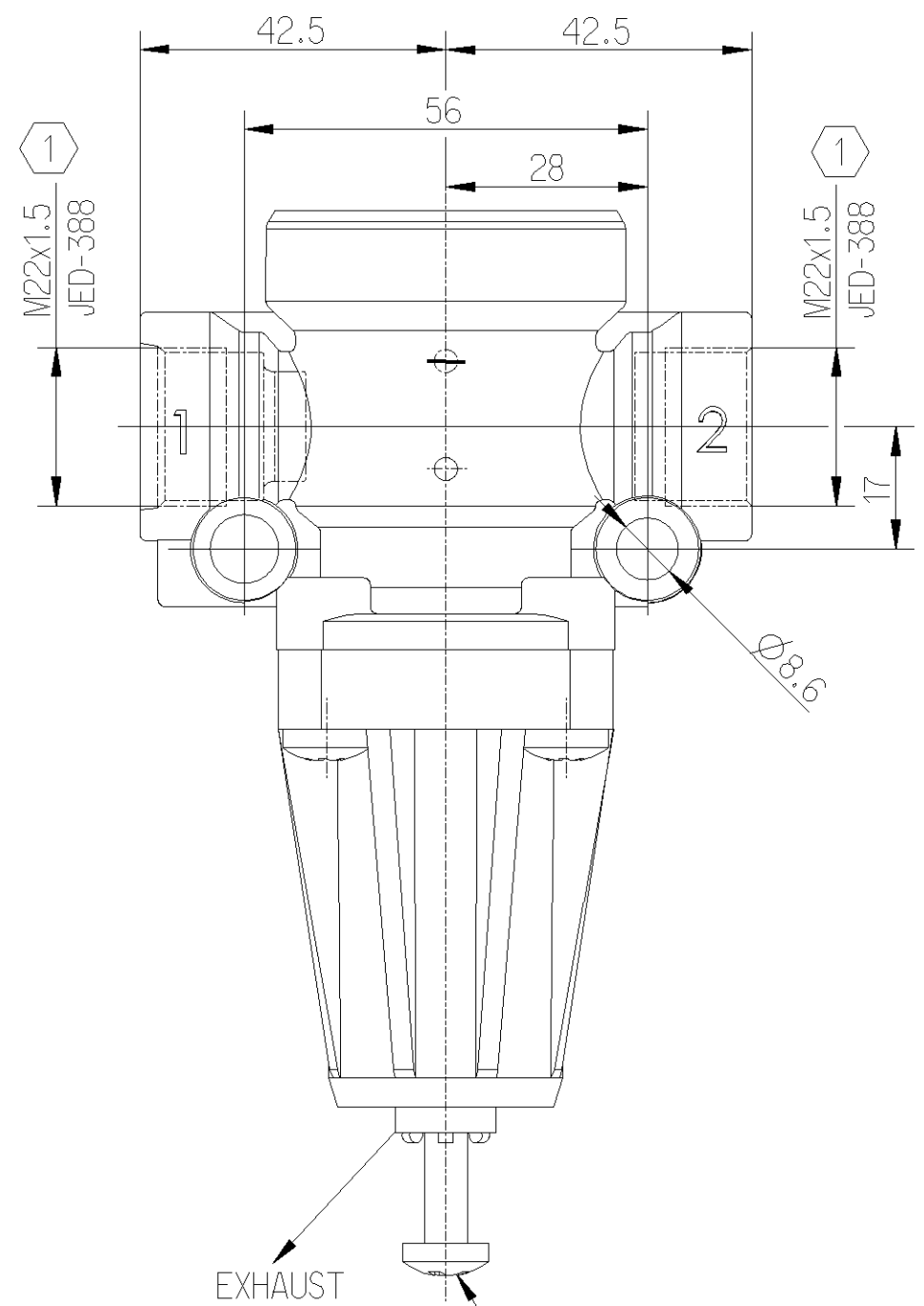


Non e permesso consegnare a terzi o riprodurre questo documento, ne utilizzare il contenuto o renderlo comunque noto a terzi senza autorizzazione esplicita. Ogni infrazione costituirà un evidente abuso e comporterà il risarcimento dei danni subiti. E' fatta riserva di tutti i diritti derivanti da brevetti o modelli.

Copying of this document and giving it to others and the use or communication of the contents thereof, are forbidden without express authority. Contravention of this restriction will constitute an evident abuse and result in a liability to the payment of damages. All rights are reserved in the event of the grant of patent or registration of a utility model or design. This document is the subject of copyright.

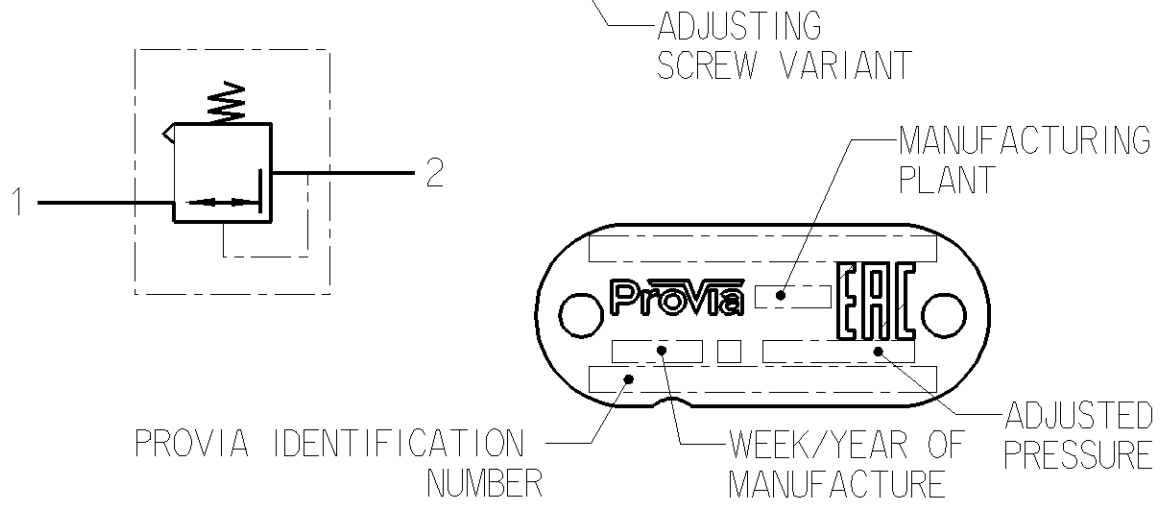
Toute communication ou reproduction de ce document, toute exploitation ou communication de son contenu sont interdites, sauf autorisation expresse. Tout manquement à cette règle constitue un abus évident et expose son auteur au versement de dommages et intérêts. Tous droits de propriété industrielle réservés, notamment en matière de brevets et de modèles.

Weitergabe sowie Vervielfältigung dieser Unterlage, Verwertung und Mitteilung ihres Inhalts nicht gestattet, soweit nicht ausdrücklich zugestanden. Zuwiderhandlungen stellen einen offensichtlichen Missbrauch dar und verpflichten zu Schadensersatz. Alle Rechte fuer den Fall der Patenterteilung oder Gebrauchsmuster-Eintragung vorbehalten.



TECHNICAL INFORMATION:
 MEDIUM: AIR
 WORKING PRESSURE: 10 BAR
 PRESSURE LIMITING: $8.5 \begin{smallmatrix} 0 \\ -0,4 \end{smallmatrix}$ BAR
 WORKING TEMPERATURE: $-40^{\circ}\text{C} - +80^{\circ}\text{C}$
 OTHERS: ACCORDING TO QC/T37

① TORQUE MAX: 53 Nm



General Specification: ISO 8015, JED-334-1, Size ISO 14405 LP						
Further Technical Data: Product Specification						
Doc. Code: Q35			Sheet: 1 To 5			
General Tolerances JED-261						
Range of Nominal Dimensions (± mm)						
Class	1)	≤ 50	> 50 ≤ 180	> 180 ≤ 400	> 400	∇
Fine		±0.5	±1	±1.5	±2	±3°
Medium	X	±1	±2	±3	±4	
Coarse		±2	±3.5	±5	±6.5	
Tapped Holes acc. JED-388						
1) Tolerance Class Applied Crossmarked						

Copyright WABCO®		ProVia PRESSURE LIMITING VALVE		Date of first issue: 2022-05-06		
Date	Signature			Doc.Code	Language	Sheet
2022-05-05	Pakula			005	EN	1/1
2022-05-06	Pawlowski					
Checked		Material No.		Date of first issue: 2022-05-06		
2022-05-06		PRO 643 435 0		Doc.Code Language Sheet		
Dimensions in mm		Revision		Techn. Resp.		
Mass	Scale	ECN-No.		Replacement for		
0.35 kg	1:1 (2:1)	-		5160_AM		
Size	CAD System	Revision		Techn. Resp.		
A 3	CREO	-		5160_AM		