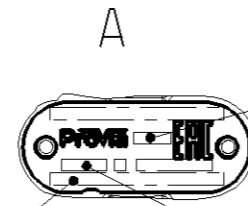


MATERIAL AND SURFACE PROTECTION	
I	AL JED-029M1 / JED-259
II	FE JED-021M1 / JED-256-4
III	FE JED-051M1 / JED-739-4
IV	POM JED-005MO

ProVia IDENTIFICATION NUMBER
ProVia TEILE NUMMER
NUMERO D'IDENTIFICATION ProVia
NUMERO D'IDENTIFICAZIONE



MANUFACTURING PLANT
PRODUKTIONSSTAETTE
LIEU DE FABRICATION
LUOGO DI FABRICAZIONE

WEEK / YEAR OF MANUFACTURE
FERTIGUNGSWOCHE / JAHR
SEMAINE / ANNEE DE FABRICATION
SETTIMANA / ANNO DELLA FABRICAZIONE

MAX. PERMISSIBLE PRESSURE (TEMPORARY WITHOUT FUNCTION):
MAXIMAL ZULAESSIGER DRUCK (KURZZEITIG OHNE FUNKTION): $p_e \text{ max.} = 20 \text{ bar}$
PRESSION MAXIMALE ADMISSIBLE (DE COURTE DUREE SANS FONCTION):
MASSIMA PRESSIONE AMMISSIBILE (BREVE TEMPO SOLO SENZA FUNZIONE):

MEDIUM: AIR
MEDIUM: LUFT
FLUIDE: AIR
FLUIDO: ARIA

THERMAL RANGE OF APPLICATION:
THERMISCHER ANWENDUNGSBEREICH:
GAMME D'APPLICATION THERMIQUE: $-40^\circ\text{C} \dots +80^\circ\text{C}$
CAMPO DI APPLICAZIONE TERMICA:

NOMINAL DIAMETER MIN.:
MIN. FREIER DURCHGANG:
DIAMETRE NOMINAL MIN.: $\varnothing 10 \text{ mm} (78.5 \text{ mm}^2)$
DIAMETRO NOMINALE MIN.:

INSTALLATION POSITION AS DRAWN:
EINBAULAGE WIE GEZEICHNET:
POSITION D'INSTALLATION SUIVANT DESSIN: $\pm 45^\circ$
POSIZIONE DI MONTAGGIO COME DISEGNATO:

INLET PRESSURE:
1= EINGESTEUERTER DRUCK:
PRESSION D'ALIMENTATION: $p_1 = 8 \text{ bar}$
PRESSIONE DI ALIMENTAZIONE:

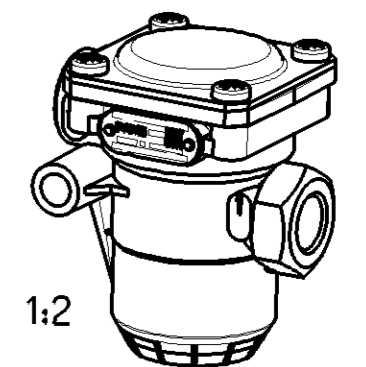
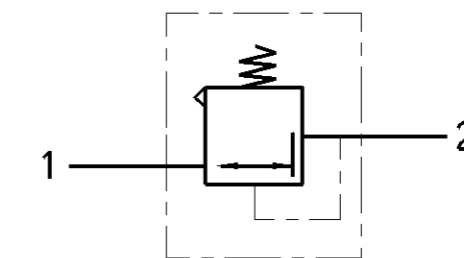
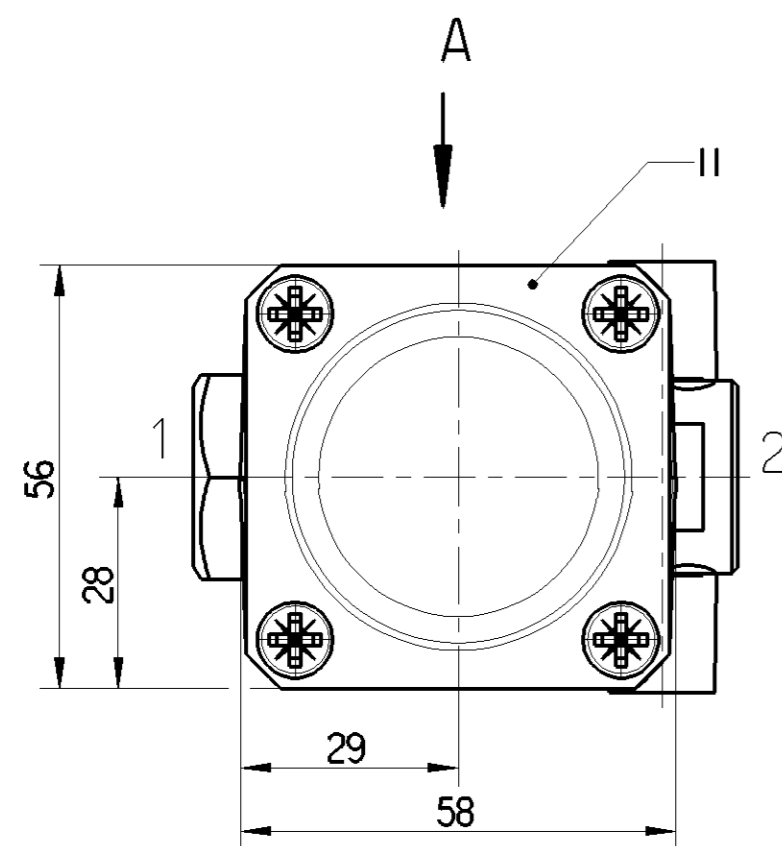
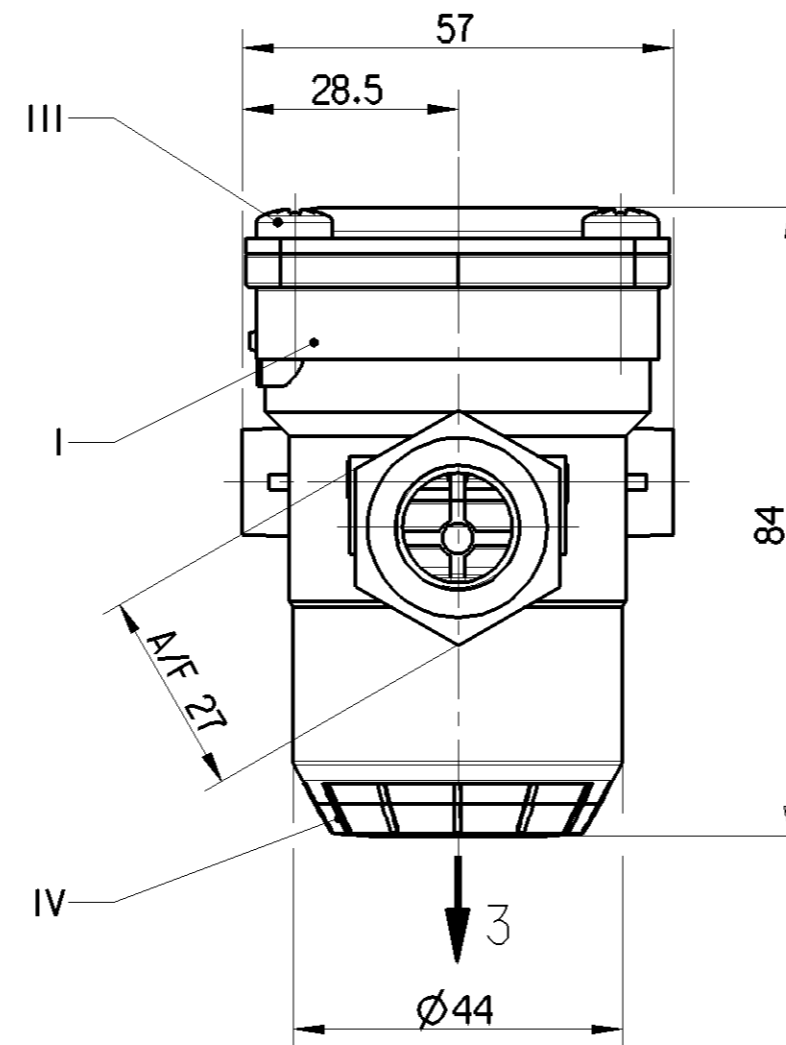
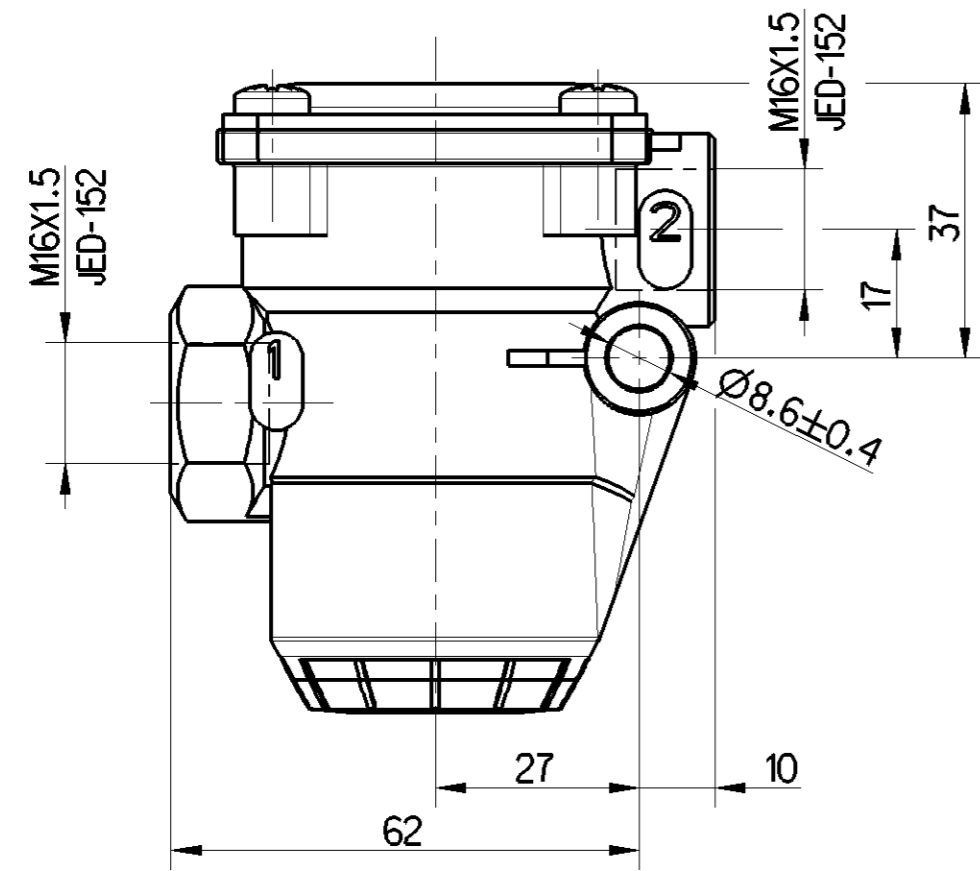
DELIVERY PRESSURE
2= AUSGESTEUERTER DRUCK
PRESSION DELIVREE
PRESSIONE EROGATA

PRESSURE LIMITATION:
DRUCKBEGRENZUNG: $p_2 = 6.5 \pm 0.2 \text{ bar}$
LIMITATION DE PRESSION:
LIMITAZIONE DELLA PRESSIONE:

EXHAUST
3= ENTLUEFTUNG
ECHAPPEMENT
SCARICO

OPENING OF SAFETY VALVE
OEFFNUNG DES SICHERHEITSVENTILS
OUVERTURE DE LA SOUPEPE DE SECURITE $p_2 + 2.5 \text{ bar (MAX.)}$
APERTURA DELLA VALVOLA DI SICUREZZA

TORQUE FOR CONNECTIONS:
ANZUGSMOMENT FUER EINSCHRAUBSTUTZEN:
COUPLE DE SERRAGE DES RACCORDS: $M16x1.5: M_{\text{max.}} = 34 \text{ Nm}$
COPPIA DI SERRAGGIO DEI RACCORDI:



General Specification: JED-334-1, Size ISO 14405 LP		Copyright WABCO®		ProVia	
Further Technical Data: PRO 643 031 O (A)		Date	Signature	PRESSURE LIMITING VALVE	
Doc. Code: 035	Sheet: 1 To 5	2019-10-31	Kolkowski	DRUCKBEGRENZUNGSVENTIL	
General Tolerances JED-261		2019-10-31	Marcinkiewicz	VALVE DE LIMITATION DE PRESSION	
Range of Nominal Dimensions (± mm)		Expert		VALVOLA LIMITATRICE DI PRESSIONE	
Class	1) ≤ 50 > 50 ≤ 180 > 180 ≤ 400 > 400	Kolkowski			
Fine	0.5 1.0 1.5 2.0	Mass	Scale	Material No.	
Medium	1.0 2.0 3.0 4.0	0.379	1:1 (1:2)	PRO 643 500 0	
Coarse	2.0 3.5 5.0 6.5	Size	CAD System	Date of first issue: 2019-06-03	
Tapped Holes acc. JED-152		A 2	CREO	Doc. Code	Language
1) Tolerance Class Applied Crossmarked		ECN-No. 502818		005	ML
		Revision 2 x A		Techn. Resp.	1/1
		Techn. Resp. 5160_AM		Replacement for	

Non e permesso copiare o terzi o riprodurre questo documento, ne utilizzare il contenuto o renderlo comunque noto o terzi senza autorizzazione esplicita. Ogni infrazione costituisce un evidente abuso e comportera il risarcimento dei danni subiti. E' fatta riserva di tutti i diritti derivanti da brevetti o modelli.

Copying of this document and giving it to others and the use or communication of the contents thereof, are forbidden without express authority. Contention of this restriction will constitute an evident abuse and result in a liability to the payment of damages. All rights are reserved in the event of the grant of patent or registration of a utility model or design. This document is the subject of copyright.

Tout e permis de copier ou de reproduire ce document, ou de communiquer son contenu sans autorisation expresse. Toute violation de ces droits constitue un abus evident et expose son auteur au versement de dommages et interets. Tous droits de propriete industrielle reserves, notamment en matiere de brevets et de modesles.

Wielokrotna kopowanie i rozpowszechnianie tego dokumentu, jak i przekazanie jego zawartosci, sa zabronione bez wyrazonej zgody. Wszelkie naruszenia sa surowo zakazane i skutkowac beda odpowiedzialnoscia prawnymi. Wszelkie prawa zastrzezone. Wszelkie prawa do patentow i wznowienia patentow zostaly zarezerwowane. Wszelkie prawa do znakow towarowych i znakow firmowych zostaly zarezerwowane. Wszelkie prawa do znakow towarowych i znakow firmowych zostaly zarezerwowane. Wszelkie prawa do znakow towarowych i znakow firmowych zostaly zarezerwowane.

dw: PRO6435000...005 / Version: -1 / status: Approved / mat: PRO6435000...A02