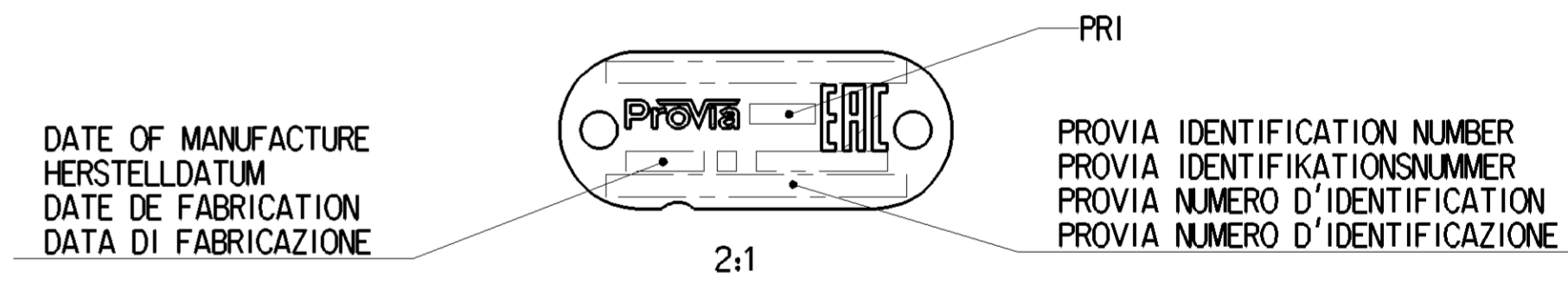
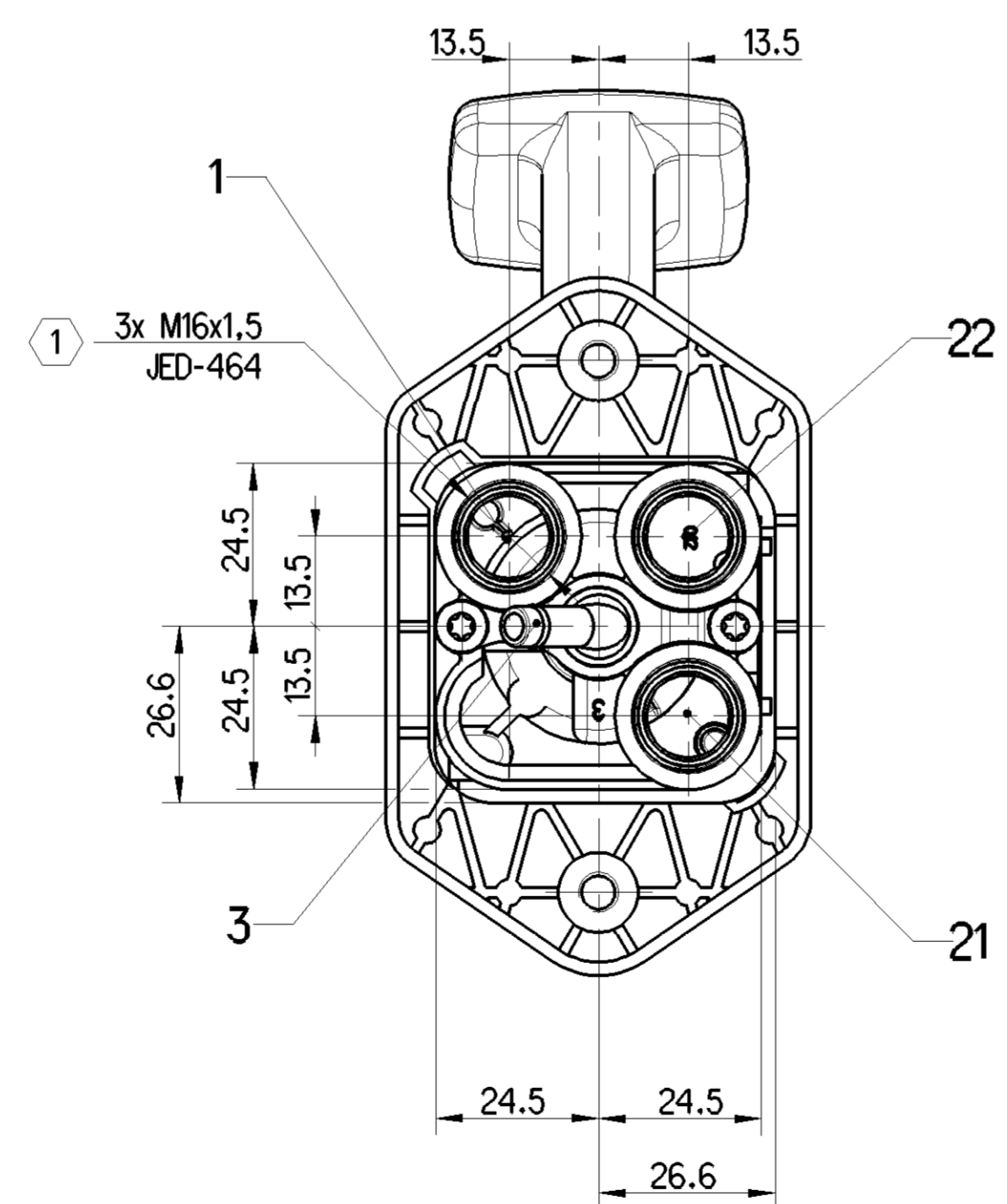
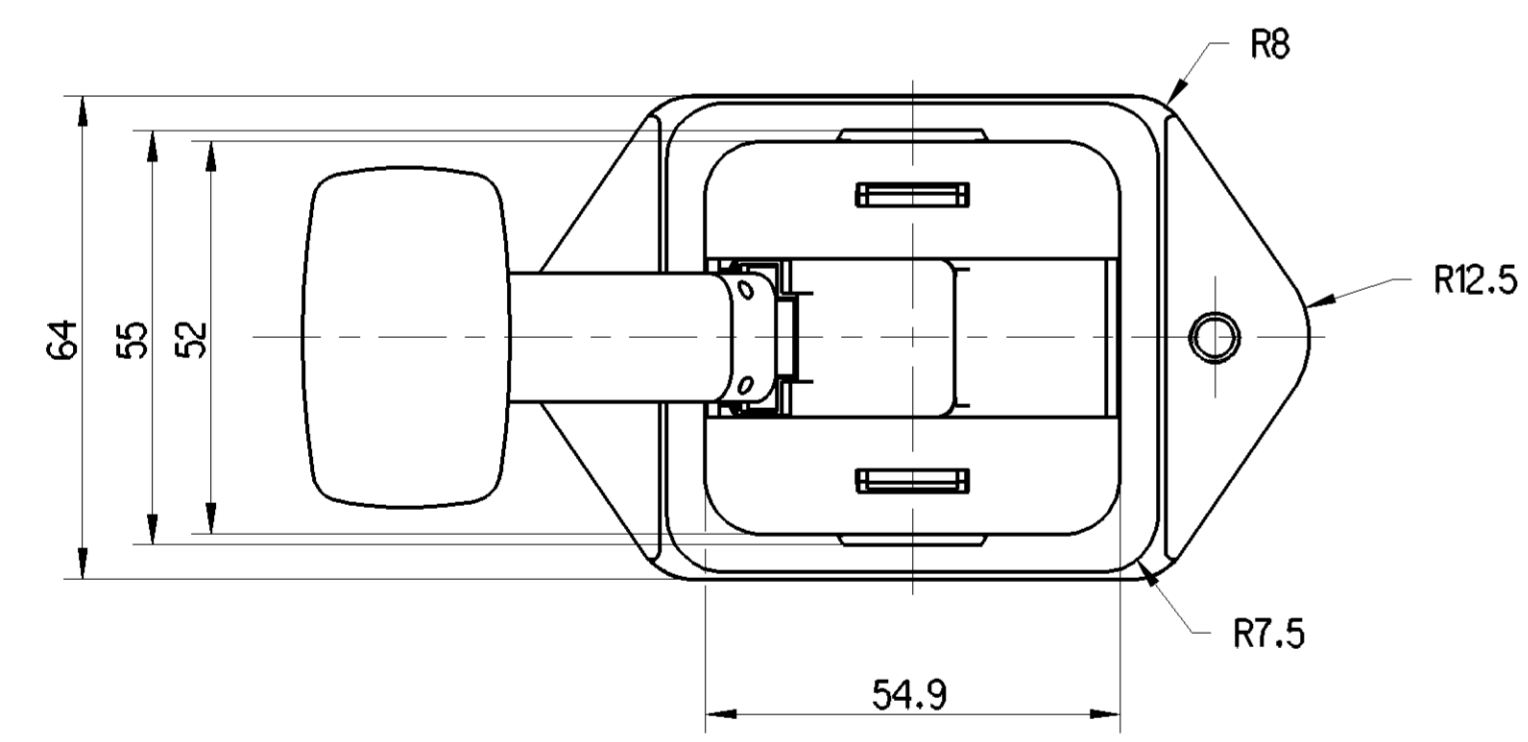
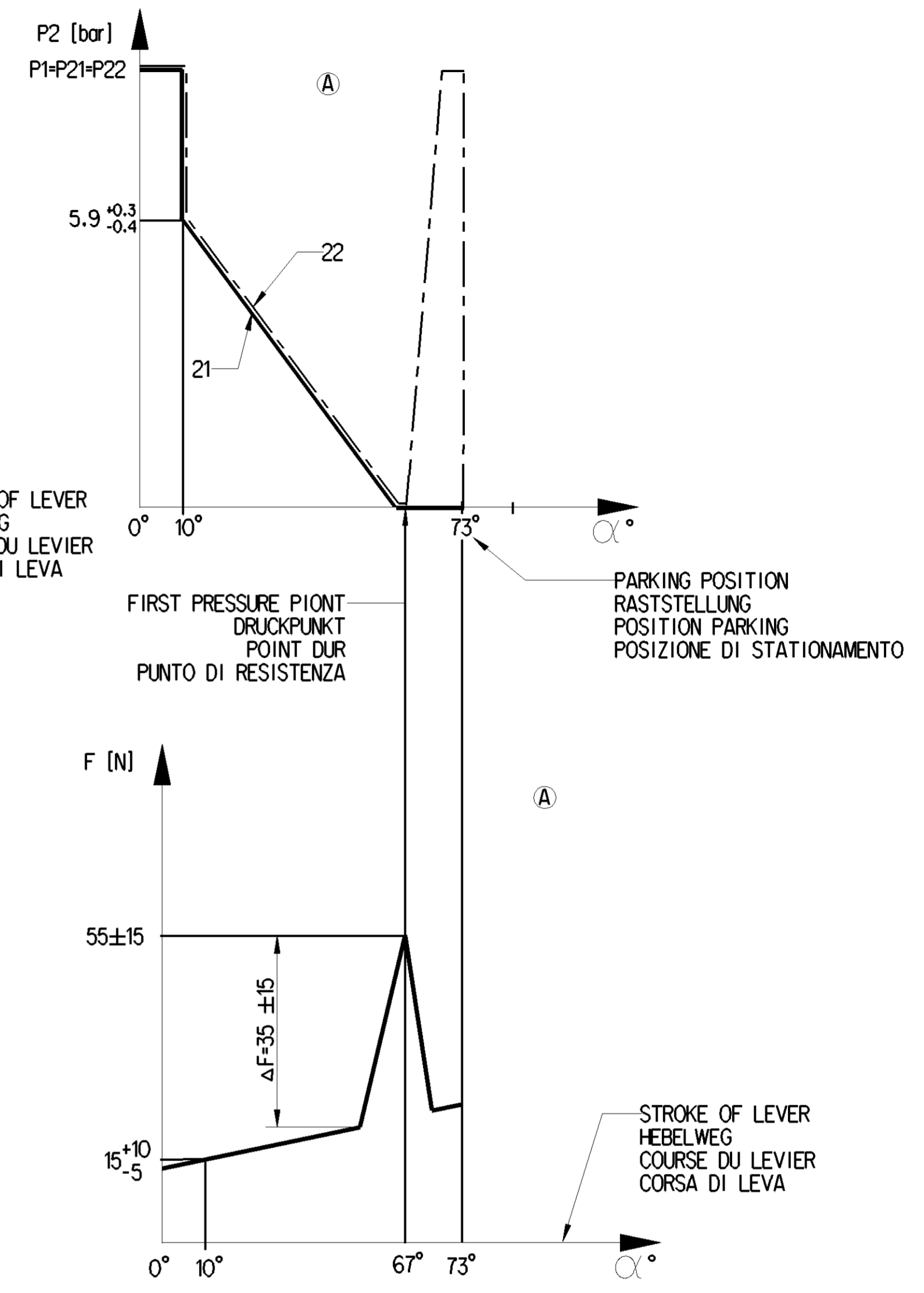
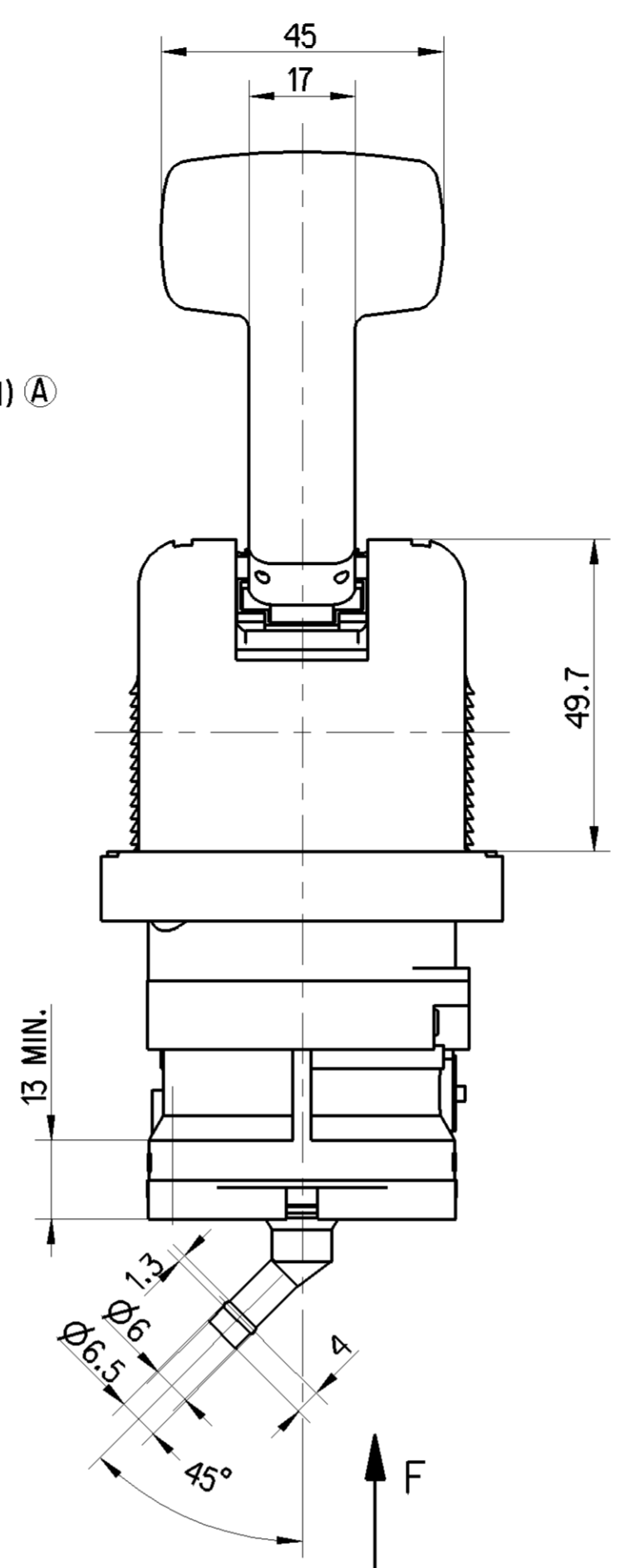
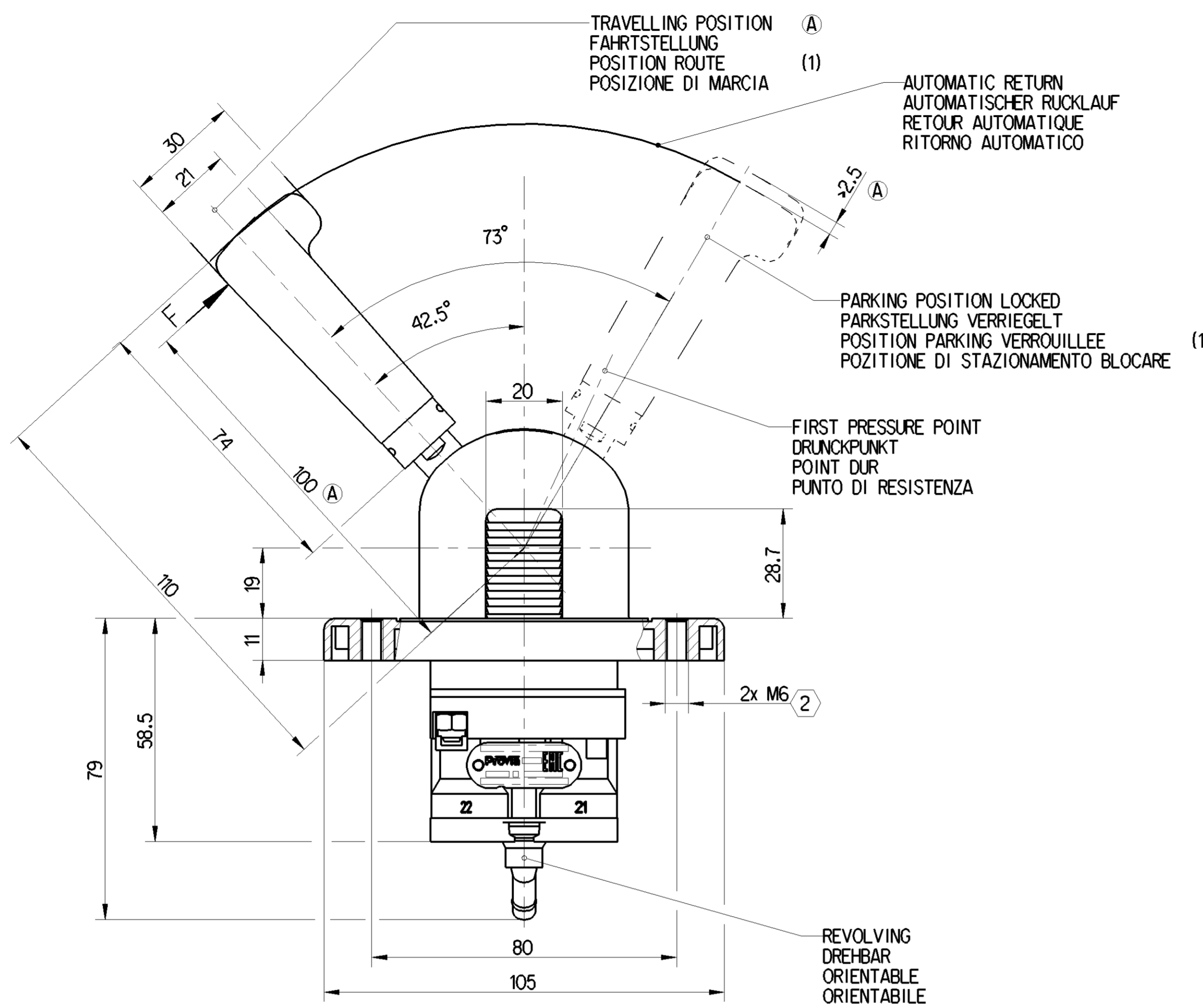
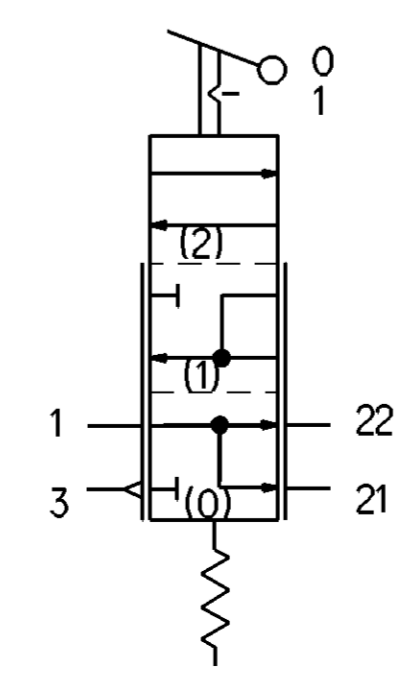


DELIVERED PRESSURE DIAGRAM
 AUSGESTEUERTER DRUCKDIAGRAM
 DIAGRAMME DES PRESSION DELIVREES
 DIAGRAMMA PRESSIONE FROGATA FOR
 FLUER PER P1 = 10 bar
 POUR
 PER



3 THE LOCKING DEVICE MUST AUTOMATICALLY AND SAFELY LOCK THE HANDLE IN THE PARKING POSITION
 DIE VERRASTUNG MUSS DEN HEBEL AUTOMATISCH UND SICHER IN DER PARKPOSITION HALTEN
 LA BUTEE DOIT VERROUILLER AUTOMATIQUEMENT ET DE FACON SECURISEE LA POIGNEE EN POSITION PARKIN
 IL DISPOSITIVO DI CHIUSURA DEVE AUTOMATICAMENTE BLOCARE IN MODO SICURO LA MANIGLIA NELLA POSIZIONE DI PARCHEGGIO



TESTING SCHEME SYMBOL
 SCHEMA DE PRINCIPE
 SCHEMA DI PRINCIPIO

SUPPLY VORRAT ALIMENTATION ALIMENTAZIONE	1	MEDIUM : AIR MEDIUM : LUFT FLUIDE : AIR FLUIDO : ARIA
SPRING BRAKE CYLINDER FEDERSPREICHERZYLINDER CYLINDRE A RESSORT CILINDRO A MOLLA	21	THERMAL RANGE THERMISCHER ANWENDUNGSBEREICH TEMPERATURE DE FONCTIONNEMENT TEMPERATURA DI UTILIZZAZIONE
TRAILER CONTROL VALVE ANHAENGER STEUERVENTIL VALVE DE CONTROLE DE REMORQUE VALVOLA DI CONTROLLO DI RIMORCHIO	22	OPERATING PRESSURE: BETRIEBSDRUCK: PRESSIONE DE SERVICE: PRESSIONE OPERATIVA:
EXHAUST ENTLUEFTLUNG ECHAPPEMENT SCARICO	3	P1 = 10 BAR MAX.

TORQUE	
1	MAX. 34 Nm
2	MAX. 4 Nm

General Specifications: JED-334-1 - Size ISO 14405 LP	Copyright WABCO®	ProVia
Further Technical Data: Product Specification	Date: 2019-03-06	Signature: Bodowski
Doc. Code: 035	Sheet: 1 To 5	Checked: Bodowski
General Tolerances JED-261	Expert: Pawlowski	Material No.:
Range of Nominal Dimensions (± mm)	Mass: 0.635 kg	Date of first issue: 2019-01-29
Class 1) ≤ 50 > 50 > 180 > 400	Scale: 1:1 (2:1)	Doc.Code: 005
Fine 0.5 1.0 1.5 2.0	Size: CAD System	Language: ML
Medium 1.0 2.0 3.0 4.0		Sheet: 1/1
Coarse X 2.0 3.5 5.0 6.5		
Tapped Holes acc. JED-464	EDN-No.:	Revision: 7x
1) Tolerance Class Applied Crossmarked	Creo	Techn. Resp.: 5212_AM

Non è permesso copiare o riprodurre questo documento, né utilizzare il contenuto a fini commerciali, senza permesso scritto dalla ProVia. Toute réimpression ou communication de son contenu sans autorisation, sauf utilisation à des fins commerciales, est formellement interdite. All rights reserved. No part of this document may be reproduced, stored in a retrieval system, or transmitted, in any form or by any means, electronic, mechanical, photocopying, recording, or by any information storage and retrieval system, without the prior written permission of ProVia.