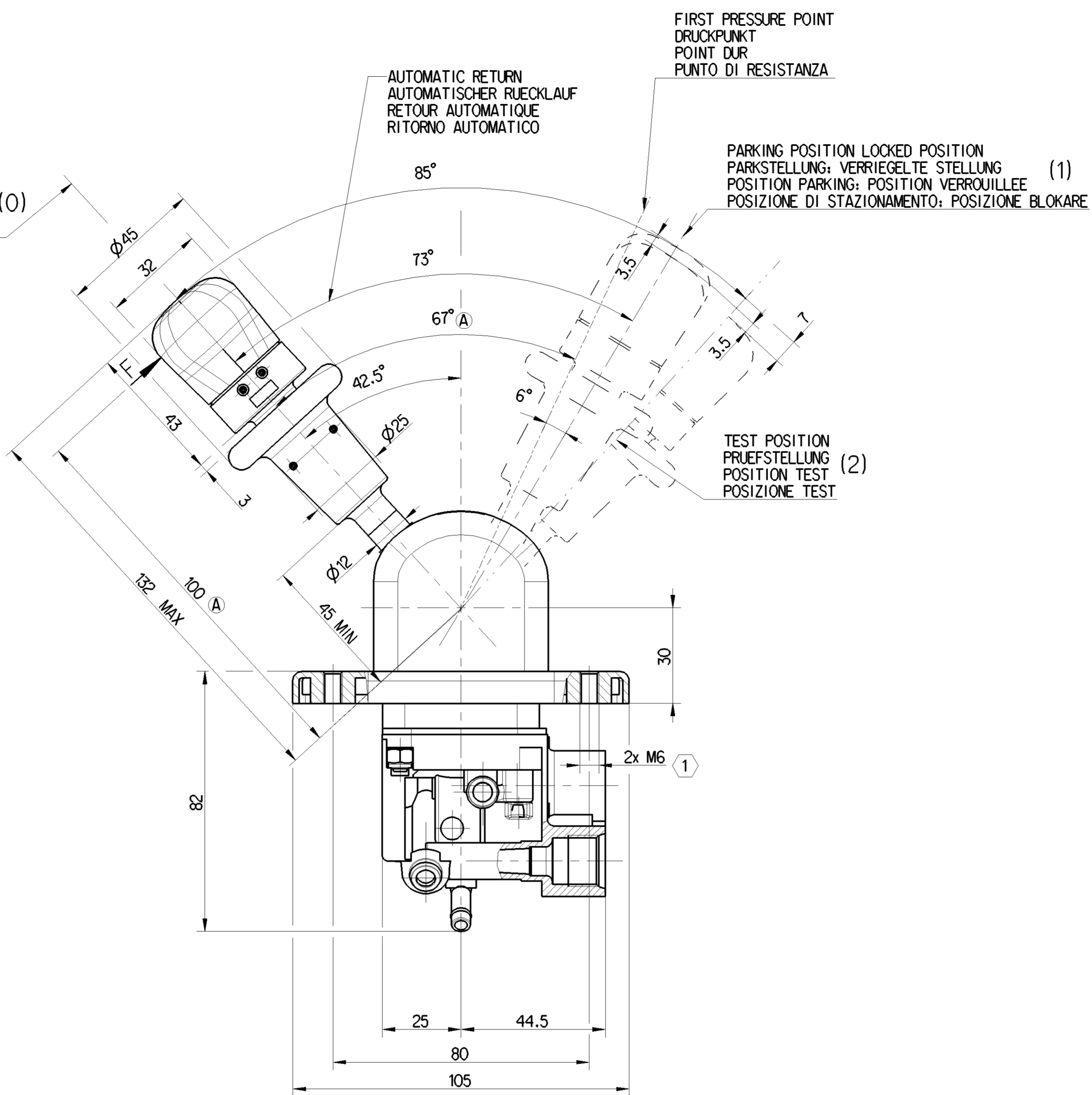
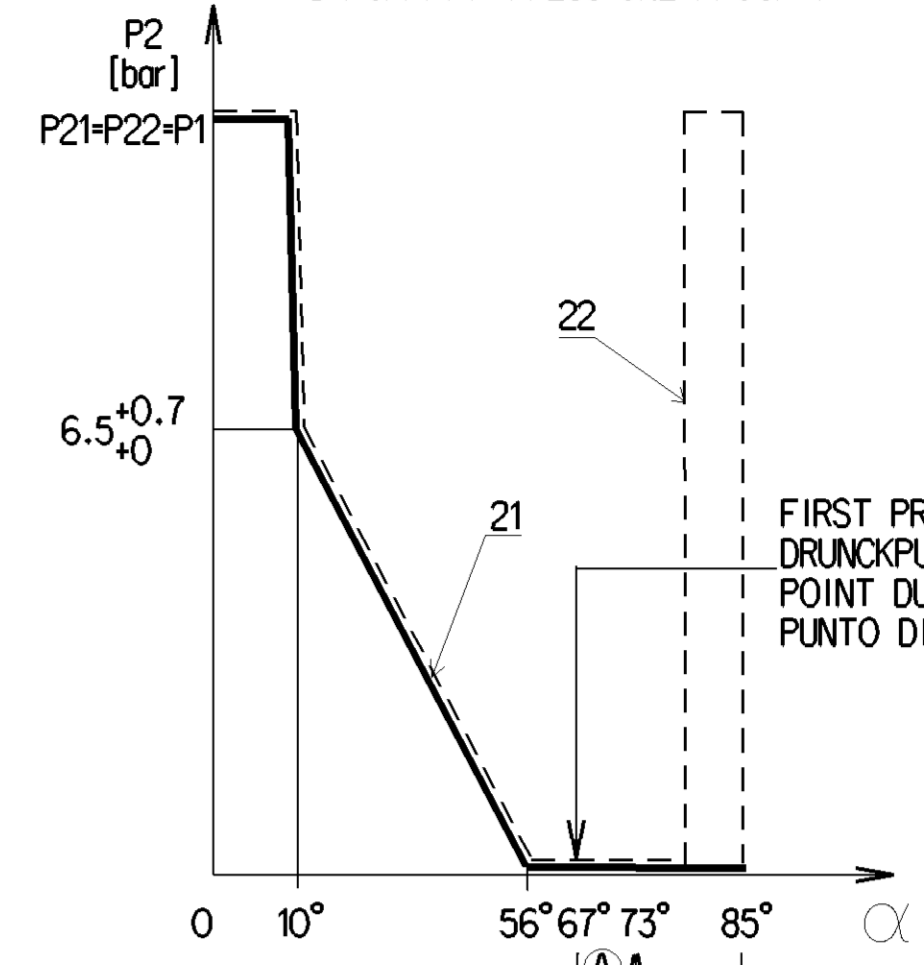


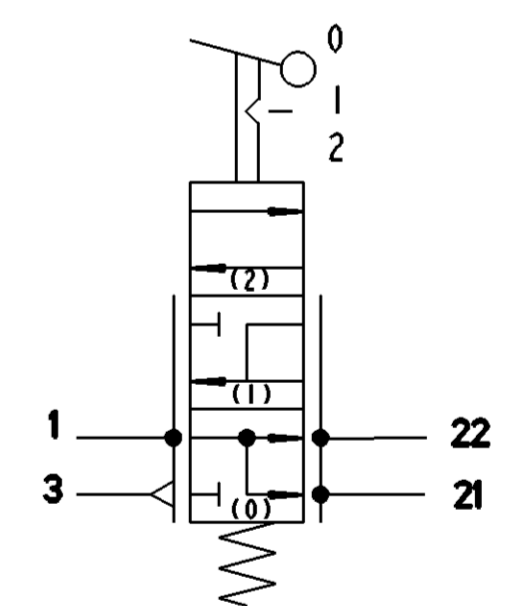
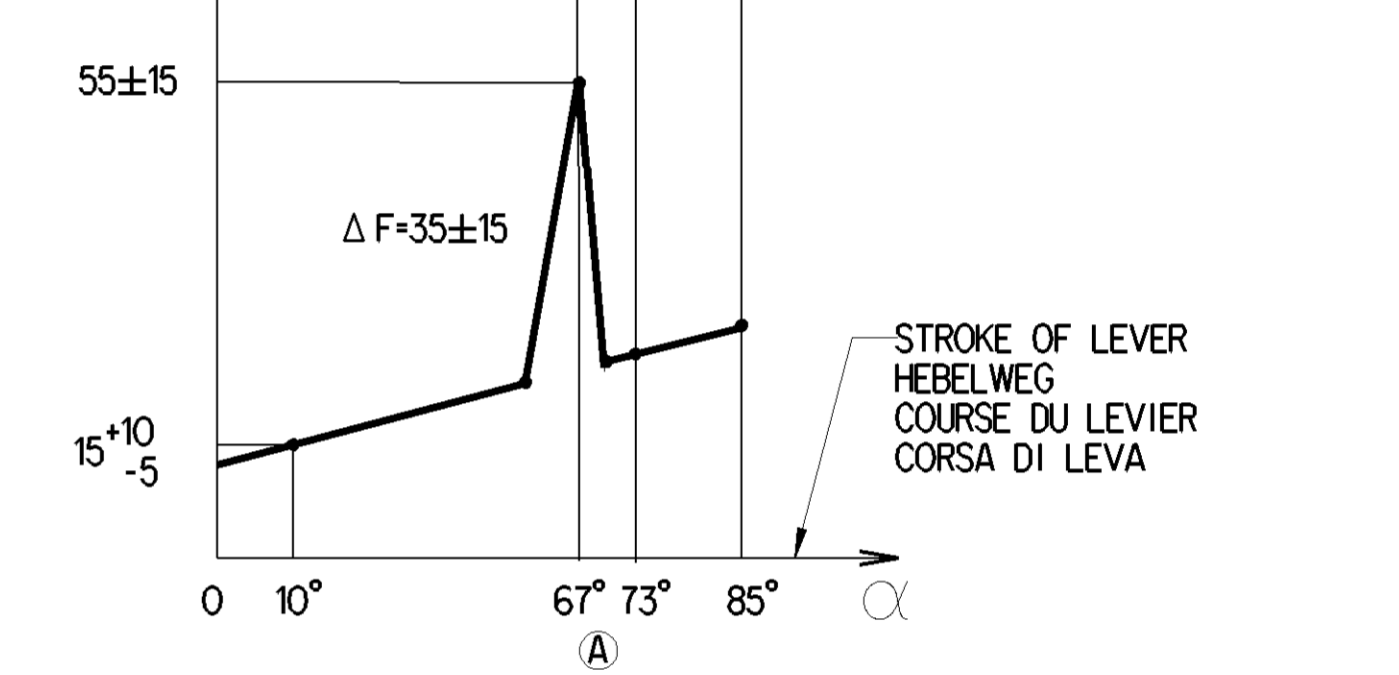
TRAVELLING POSITION
FAHRSTELLUNG
POSITION ROUTE
POSIZIONE DI MARCIA (0)



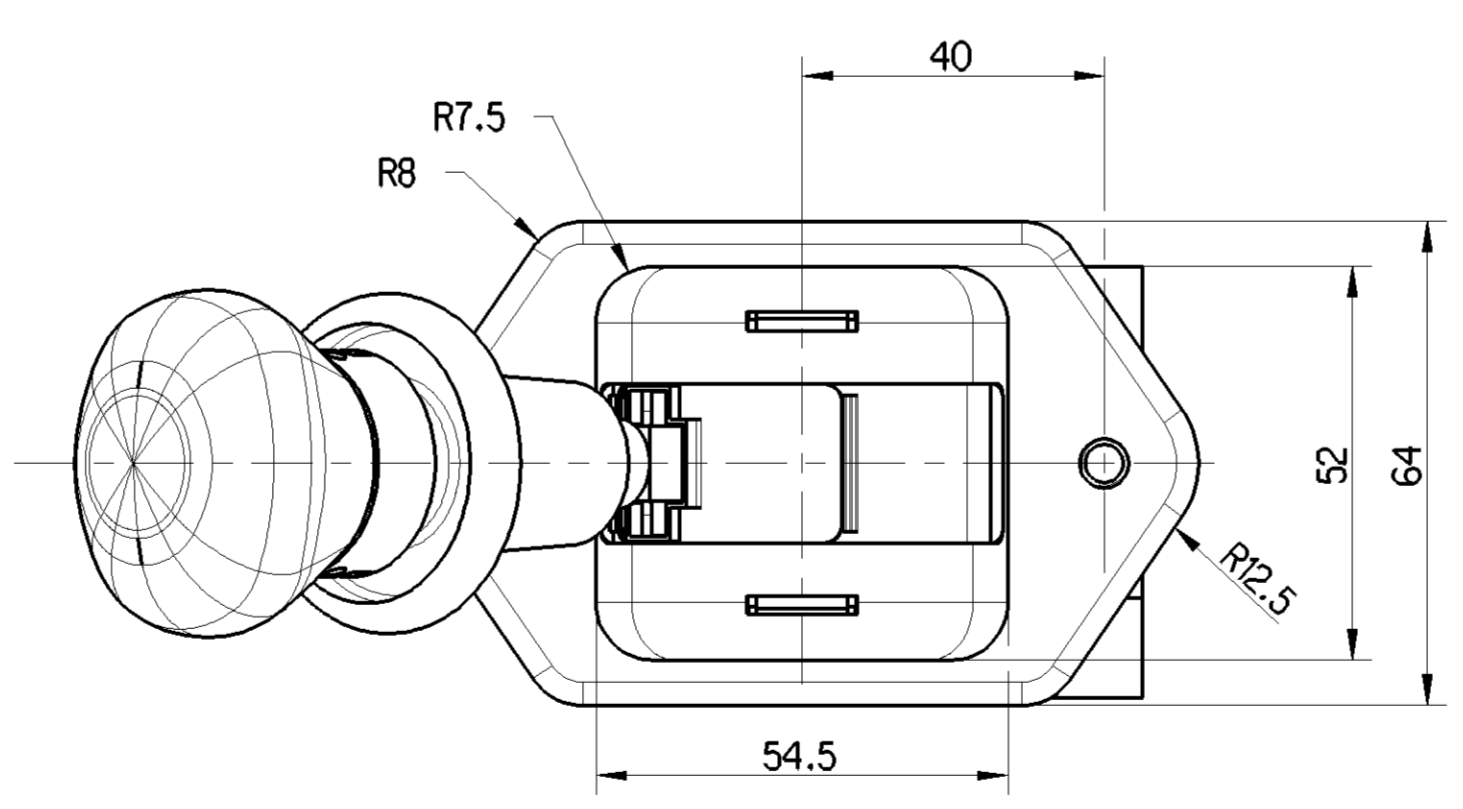
DELIVERED PRESSURE DIAGRAM
AUSGESTURTER DRUCKDIAGRAM
DIAGRAMME DES PRESSIONS DELIVREES
DIAGRAMMA PRESSIONE FROGATA FOR
FUER P1 =8 BAR PER



PARKING POSITION
RASTELLUNG
POSITION PARKING
POSIZIONE DI STAZIONAMENTO



TESTING SCHEME
SYMBOL
SCHEMA DE PRINCIPE
SCHEMA DI PRINCIPIO



③ THE LOCKING DEVICE MUST AUTOMATICALLY AND SAFELY LOCK THE HANDLE IN THE PARKING POSITION
DIE VERRASTUNG MUSS DEN HEBEL AUTOMATISCH UND SICHER IN DER PARKPOSITION HALTEN
LA BUTEE DOIT VERROUILLER AUTOMATIQUEMENT ET DE FACON SECURISEE LA POIGNEE EN POSITION PARKIN
IL DISPOSITIVO DI CHIUSURA DEVE AUTOMATICAMENTE BLOCCARE IN MODO SICURO LA MANIGLIA NELLA POSIZIONE DI PARCHEGGIO

DATE OF MANUFACTURE
HERSTELLDATUM
DATE DE FABRICATION
DATA DI FABRICAZIONE

PROVIA IDENTIFICATION NUMBER
PROVIA IDENTIFIKATIONSNUMMER
PROVIA NUMERO D'IDENTIFICATION
PROVIA NUMERO D'IDENTIFICAZIONE

1	SUPPLY VORRAT ALIMENTATION ALIMENTAZIONE
21	SPRING BRAKE CYLINDER FEDERSPEICHERZYLINDER CYLINDRE A RESSORT CILINDRO A MOLLA
22	TRAILER CONTROL VALVE ANHAENGER STEUERVENTIL VALVE DE CONTROLE DE REMORQUE VALVOLA DI CONTROLL DI RIMORCHIO
3	EXHAUST ENTLUEFTUNG ECHAPPEMENT SCARICO
	MEDIUM: AIR MEDIUM: LUFT FLUIDE: AIR FLUIDO: AIRIA
	THERMICAL RANGE THERMISCHER ANWENDUNGSBEREICH TEMPERATURE D'UTILISATION TEMPERATURA DI UTILIZZAZIONE -40°C - +80°C
	OPERATING PRESSURE: BETRIEBSDRUCK: PRESSION DE SERVICE: PRESSIONE OPERATIVA: 6.5 - 10 bar
	SUPPLY PRESSURE VORRATSDRUCK PRESSION PNEUMATIQUE D'ALIMENTATION PRESSIONE PNEUMATICA DI ALIMENTAZIONE P1=10 bar MAX.

TORQUE	
①	MAX. 4 Nm
②	MAX. 34 Nm

General Specifications: JED-334-1 - Size ISO 14405 LP		Copyright WABCO®	
Further Technical Data: Product Specification		Date: 2019-03-05	Signature: Bodowski
Doc. Code: 035	Sheet: 1 To 5	Checked: Bodowski	Expert: Pawlowski
General Tolerances JED-261		Mass: 0.764 kg	Scale: 1:1 (2:1)
Class 1) ≤ 50	> 50 ≤ 180	Size: A 1	CREO
2) ≤ 180	> 180 ≤ 400	Revision: 5x	5212_AM
3) ≤ 400	> 400	Techn. Resp.	
Class 1) 0.5	1.0	1.5	2.0
2) 1.0	2.0	3.0	4.0
3) 2.0	3.5	5.0	6.5
Tapped Holes acc. JED-388		Material No. PRO 645 005 0	
1) Tolerance Class Applied Crossmarked		Date of first issue: 2019-01-31	
		Doc. Code Language Sheet	
		005 ML 1/1	
		Replacement for	

Non è permesso copiare o riprodurre questo documento, né utilizzare il contenuto a fini commerciali, senza permesso scritto dalla WABCO. Toute réimpression ou communication de son contenu sans autorisation écrite de la WABCO est formellement interdite. This document and its contents are the property of WABCO. All rights reserved. No part of this document may be reproduced or transmitted in any form or by any means, electronic or mechanical, including photocopying, recording, or by any information storage and retrieval system, without prior written permission from WABCO.