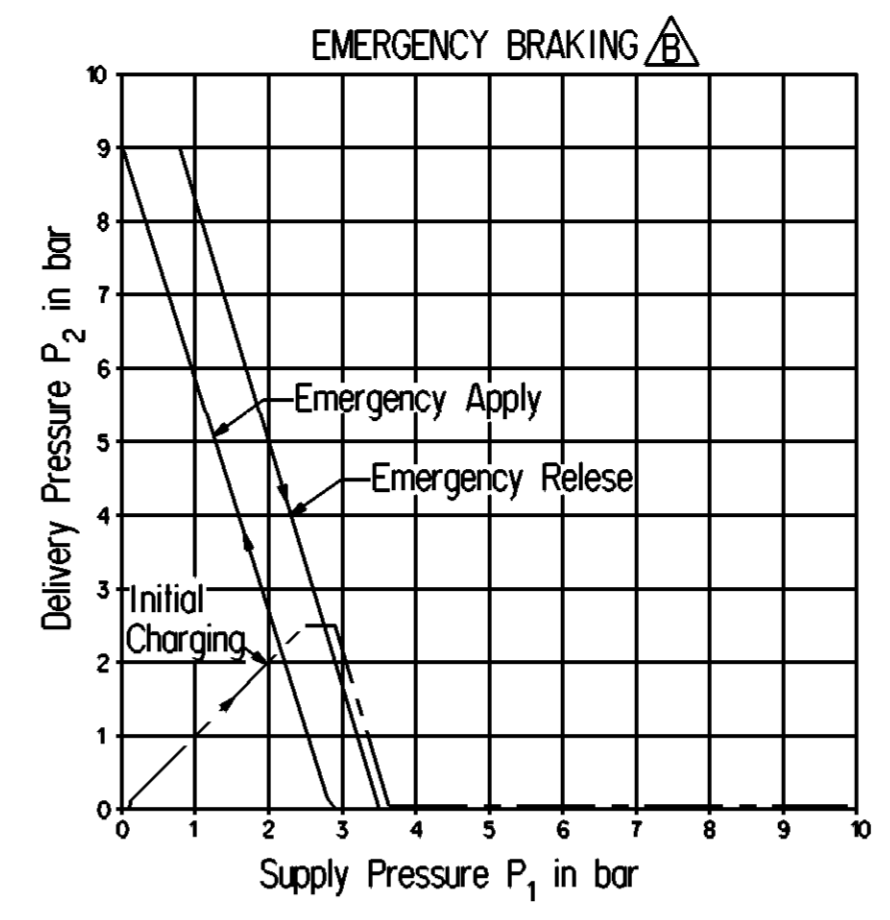
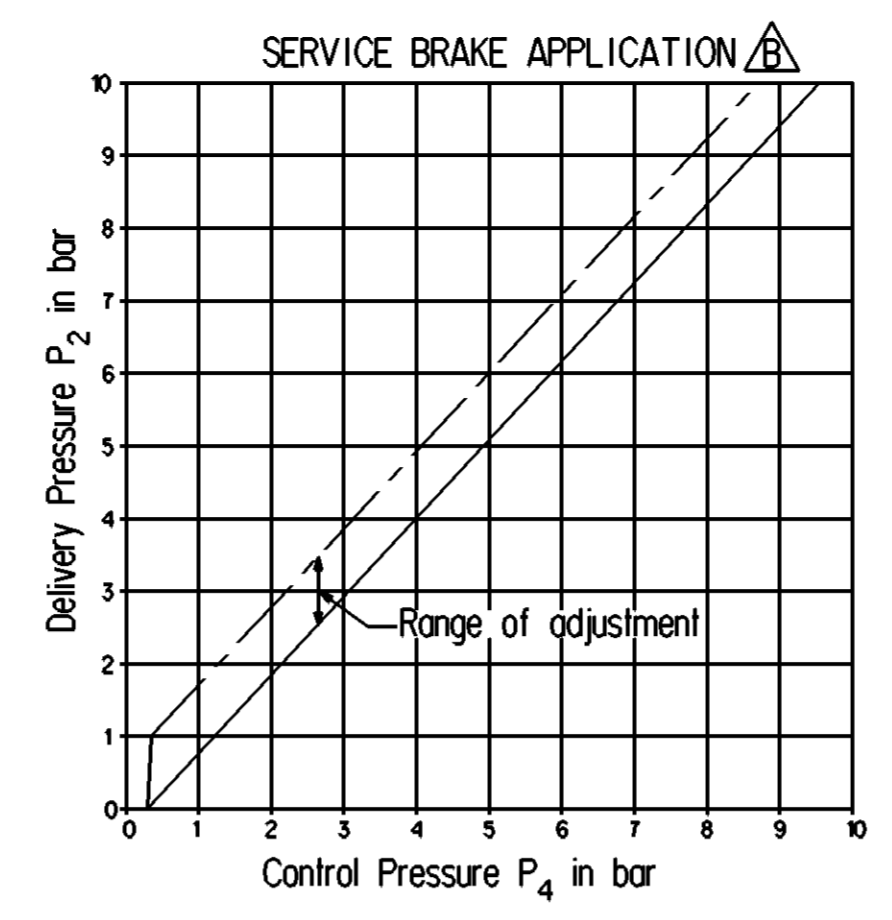
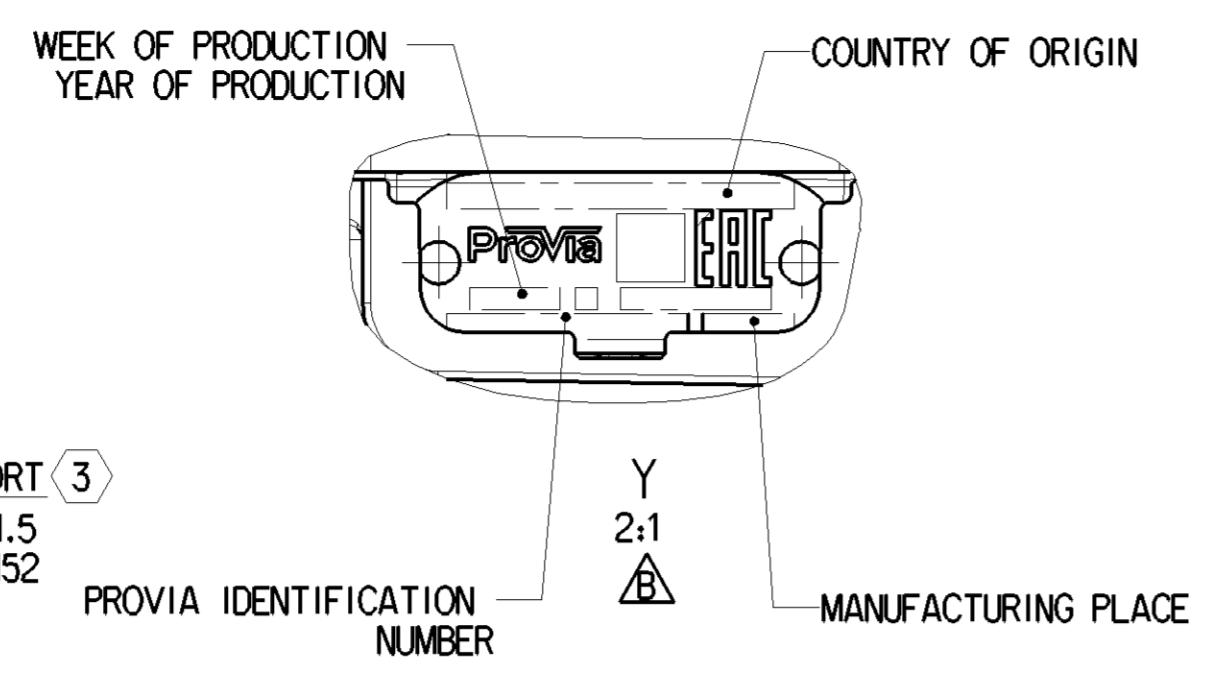
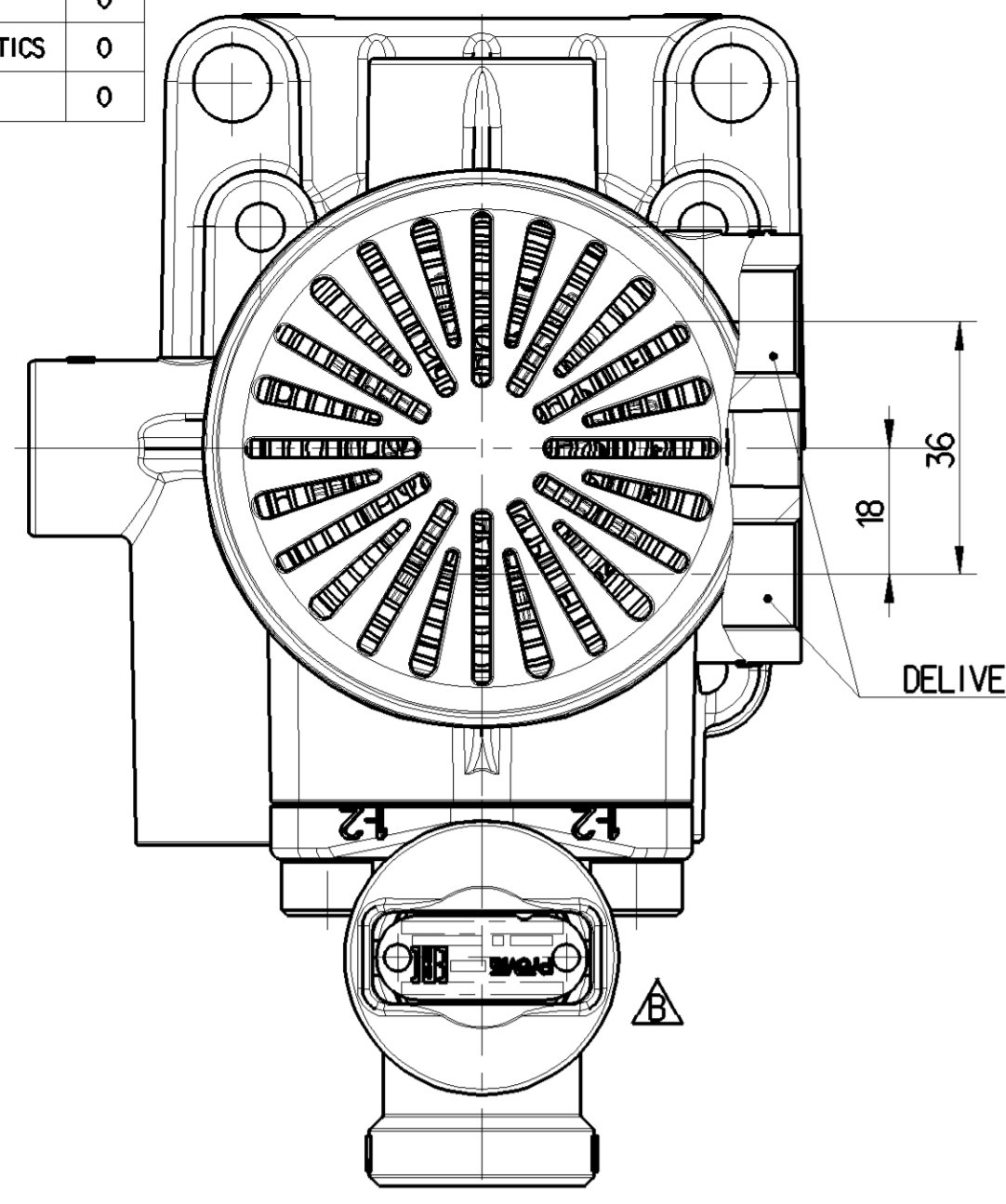
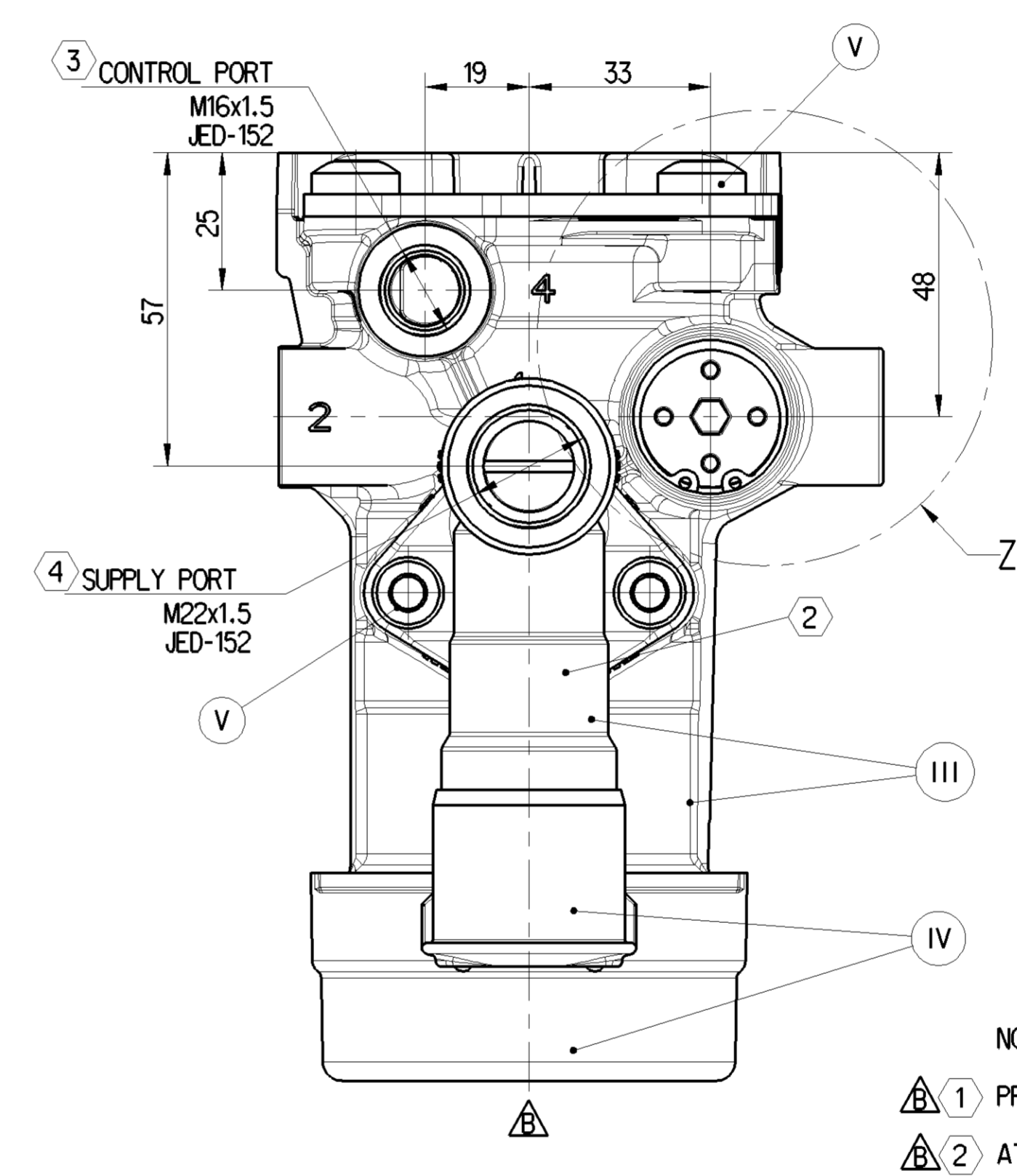
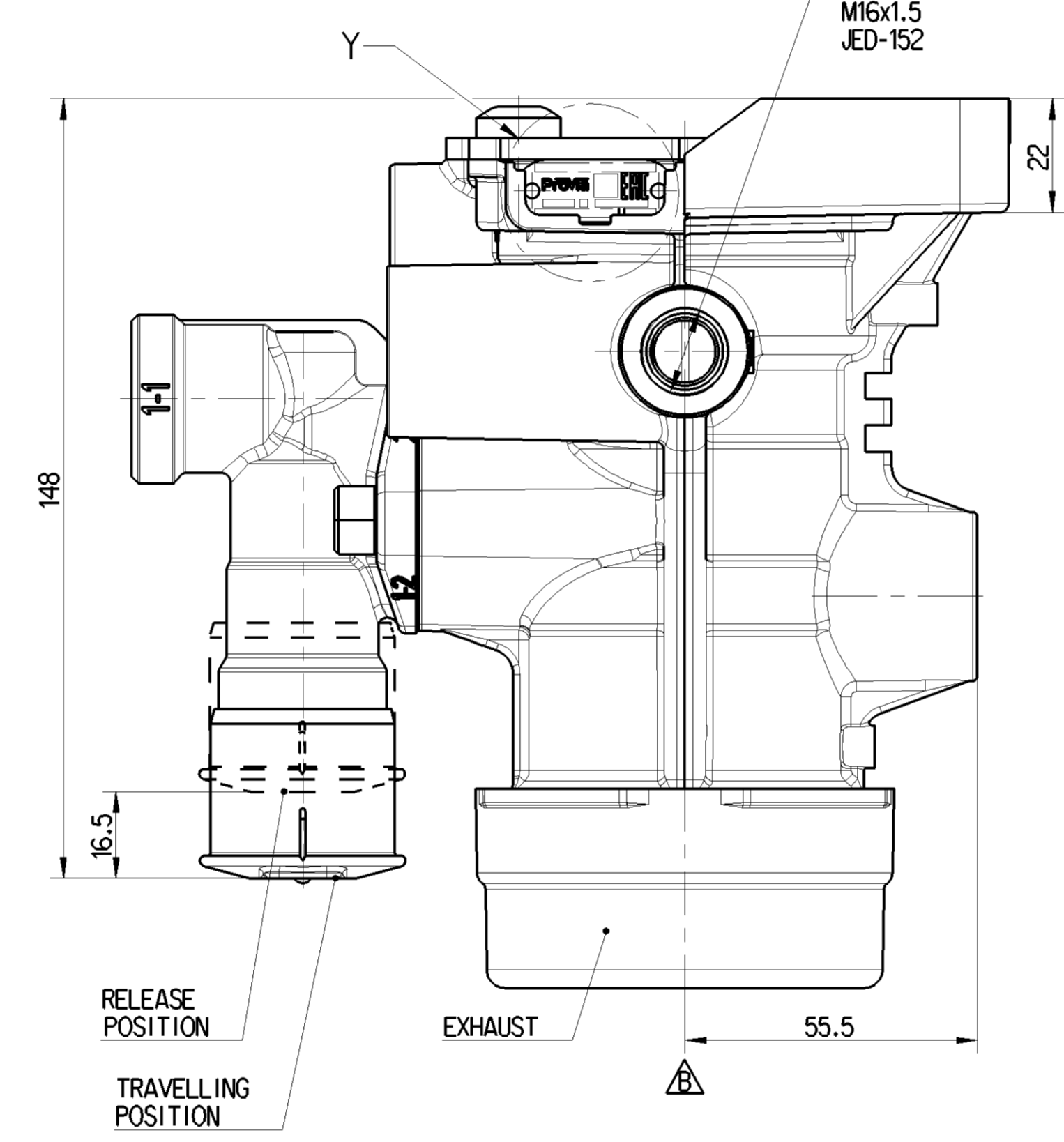
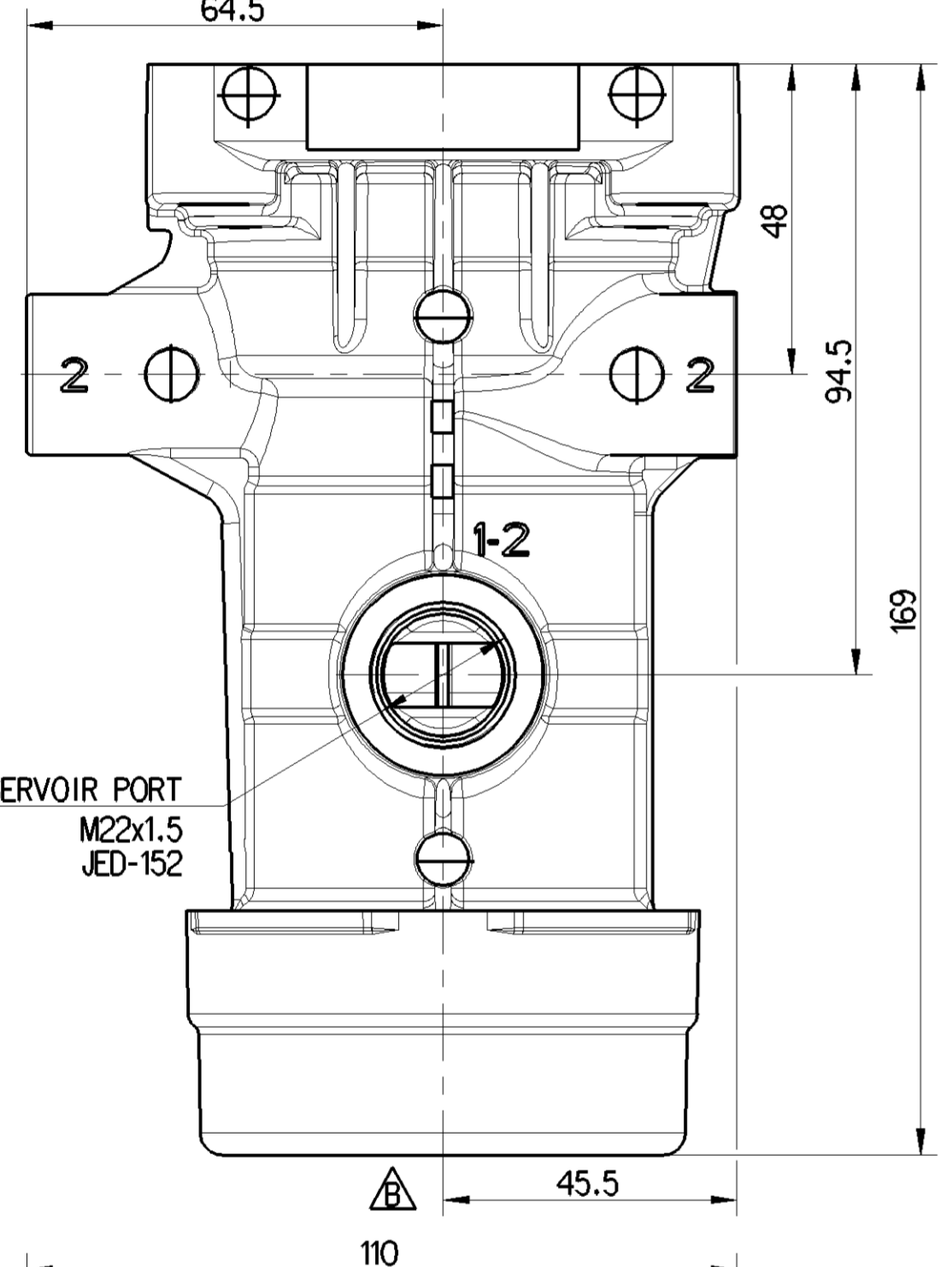


<1> SAFETY CHARACTERISTICS	0
<2> SIGNIFICANT CHARACTERISTICS	0
<3> CUSTOMER INTERFACE	0



WORKING MEDIUM	AIR
△ THERMAL RANGE OF APPLICATION	-40° TO +65°C
△ SHORT TERM RESISTANCE TO HEAT	MAX. 1h AT 110°C
△ NOMINAL WORKING PRESSURE	9 bar
△ MAXIMUM WORKING PRESSURE	10 bar
△ PREDOMINANCE ADJUSTMENT RANGE PRESSURE	0 TO 0.7 bar
△ FILLING CRACK-OFF	0.5 bar MAX.
△ RELAY RATIO	>1
△ CRACK-OFF PRESSURE (WITHOUT PREDOM)	0.3 bar MAX. (+65°C TO -20°C) 0.35 bar MAX. (-20°C TO -40°C)
△ INSTALLATION POSITION	VERTICAL ±60° ALLOWED
PORT 1	SUPPLY PORT
PORT 1-2	RESERVOIR PORT
PORT 2 (3x)	DELIVERY PORT
PORT 4	CONTROL PORT
△ TIGHTENING TORQUE FOR MOUNTING BOLTS	45±2 Nm



CONDITION	FROM	TO	NOMINAL DIAMETER
△ FILLING	PORT 1	PORT 1-2	≥10 mm
△ BRAKING	PORT 1-2	PORT 2	≥11.5 mm
△ EXHAUSTING	PORT 2	PORT 3	≥10.6 mm

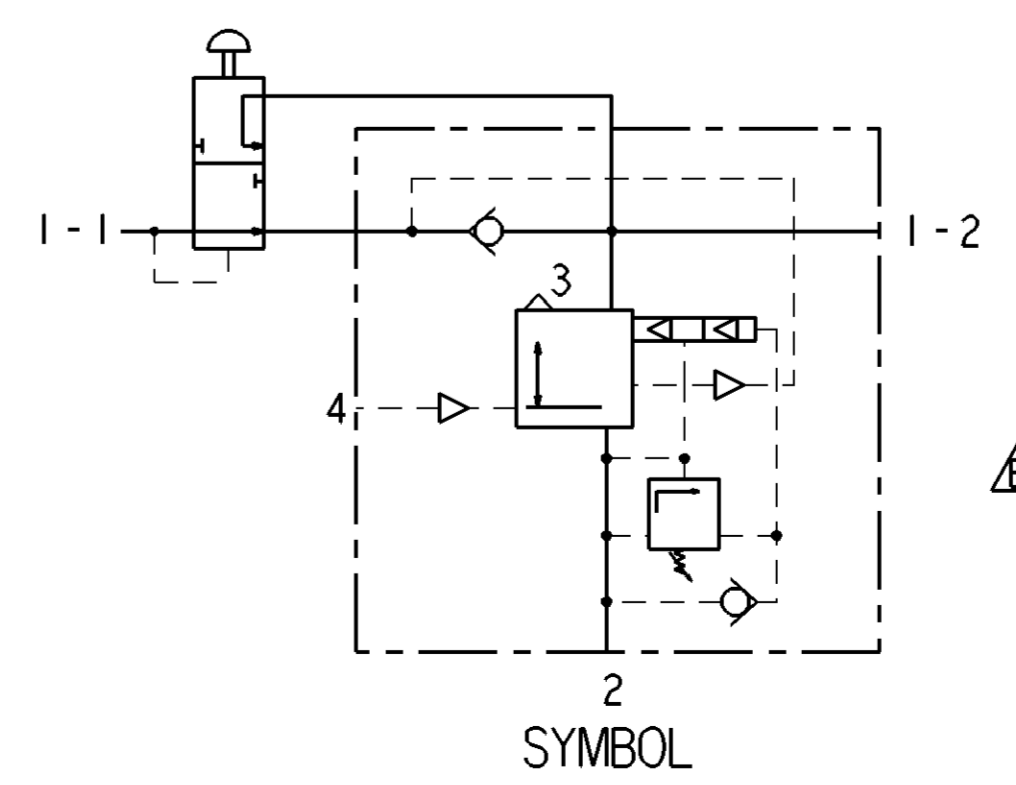
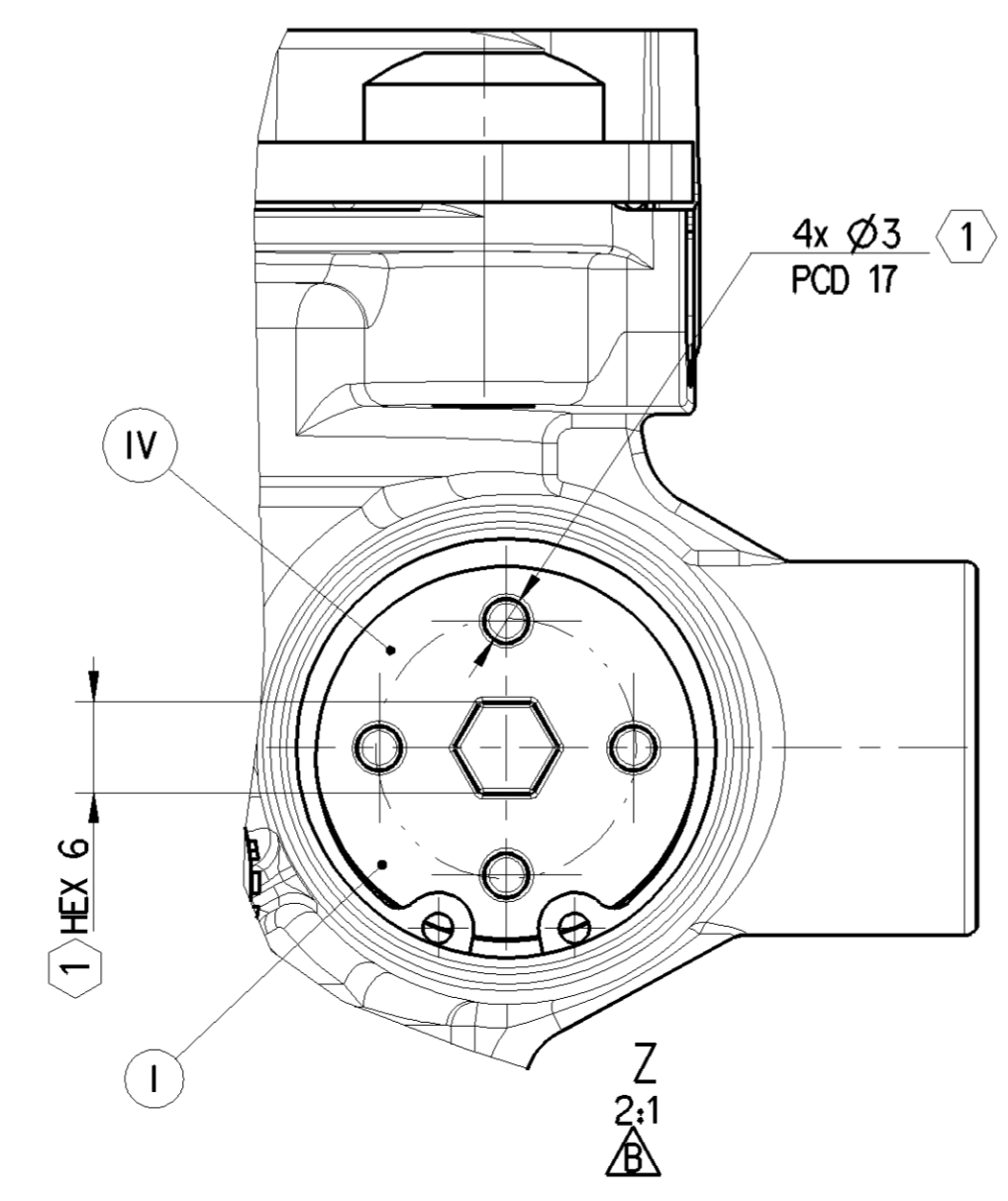
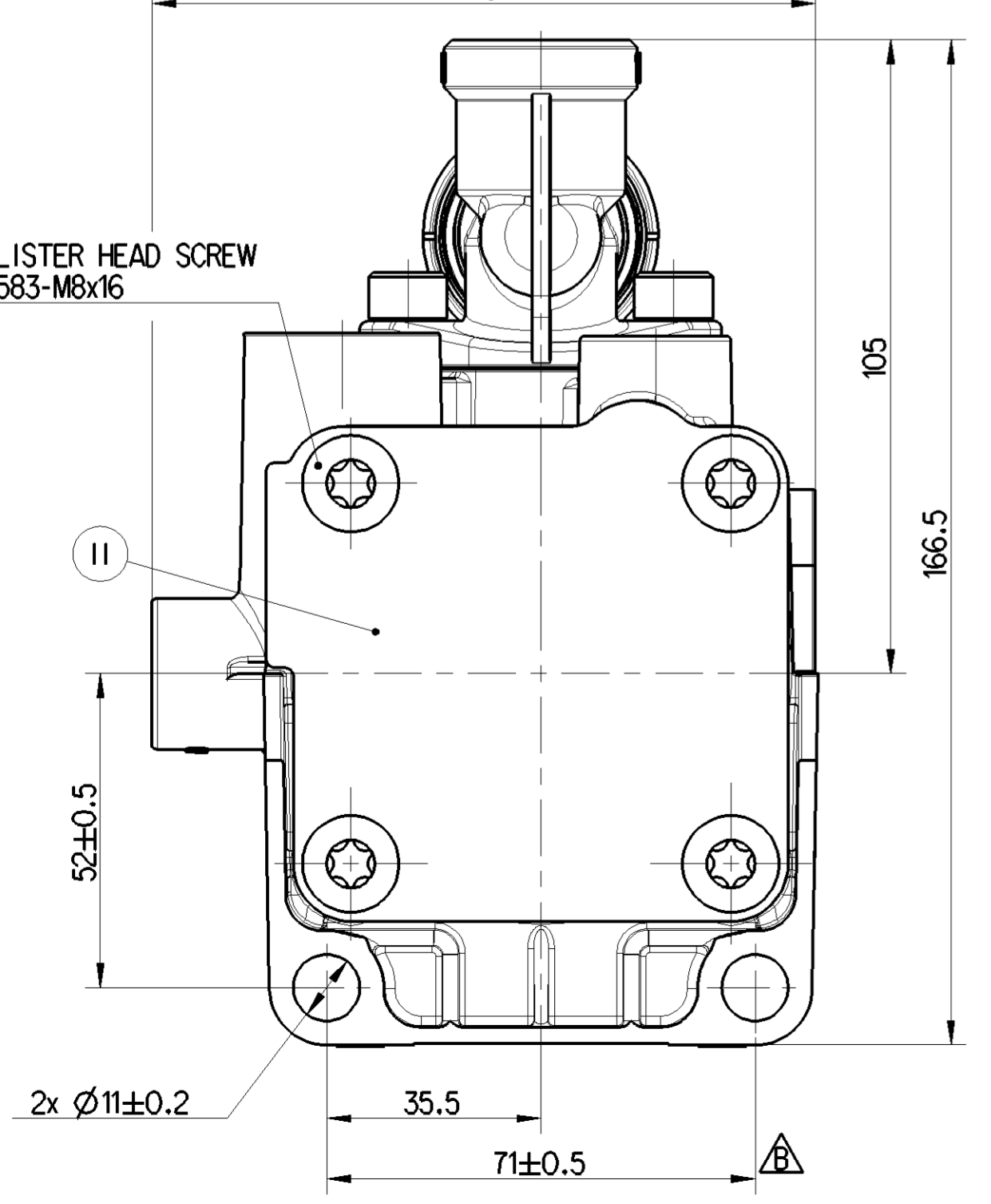
  

V	STEEL	ZINC NICKEL PLATED
IV	PLASTIC	NO TREATMENT
III	ALUMINIUM ALLOY	CHROMATED
II	STEEL	POWDER COATED
I	STEEL	ZINC PLATED

4 RESERVOIR PORT M22x1.5 JED-152

4x FILLISTER HEAD SCREW ISO 14583-M8x16

- NOTE:
- △ 1 PREDOMINANCE ADJUSTMENT
  - △ 2 ATTACHMENT OF TRAILER RELEASE VALVE
- RECOMMENDED TORQUE FOR FITTINGS:
- △ 3 THREAD-M16x1.5, TIGHTENING TORQUE: 30 TO 35 Nm
  - △ 4 THREAD-M22x1.5, TIGHTENING TORQUE: 34 TO 40 Nm



General Specifications: JED-334-1 - Size ISO 14405 LP	Copyright WABCO®	<b>ProVia</b>
Further Technical Data: PRO 648 001 0	Date: 2022-06-01	RELAY EMERGENCY VALVE
Doc. Code: 035	Sheet: 01 To 36	3 PORT
General Tolerances JED-261	Checked: Sarawonon	ADD ON TRV
Range of Nominal Dimensions ( ± mm )	Expert: Palaniswamy	
Class II < 50	Mass: 1.384 kg	
> 50 < 180	Scale: 1:1	
≥ 180 < 400	Size: 2:1	
> 400	CAD System: CREO	
Material: Steel	Material No.: PRO 648 003 0	Date of first issue: 2017-07-19
Finish: X	Revision: 28x	Doc. Code: 005 EN 1/1
Medium: X	Techn. Resp.: B	
Course: 2,0		