

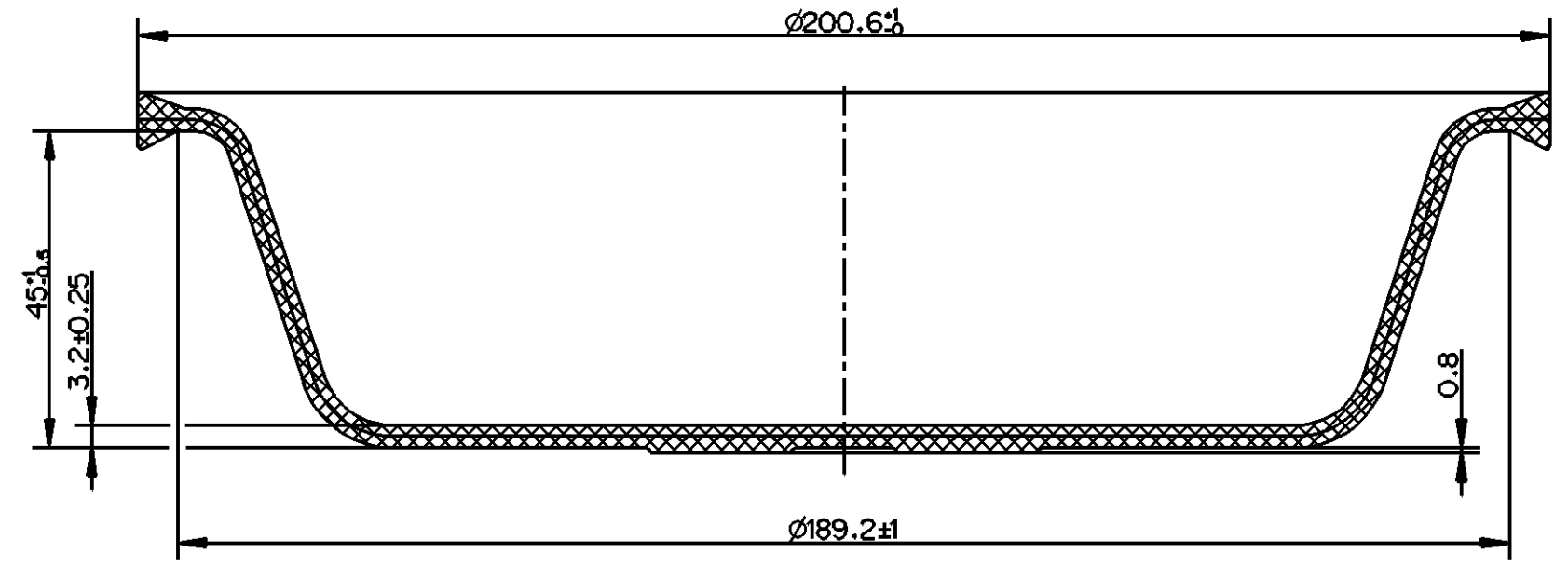
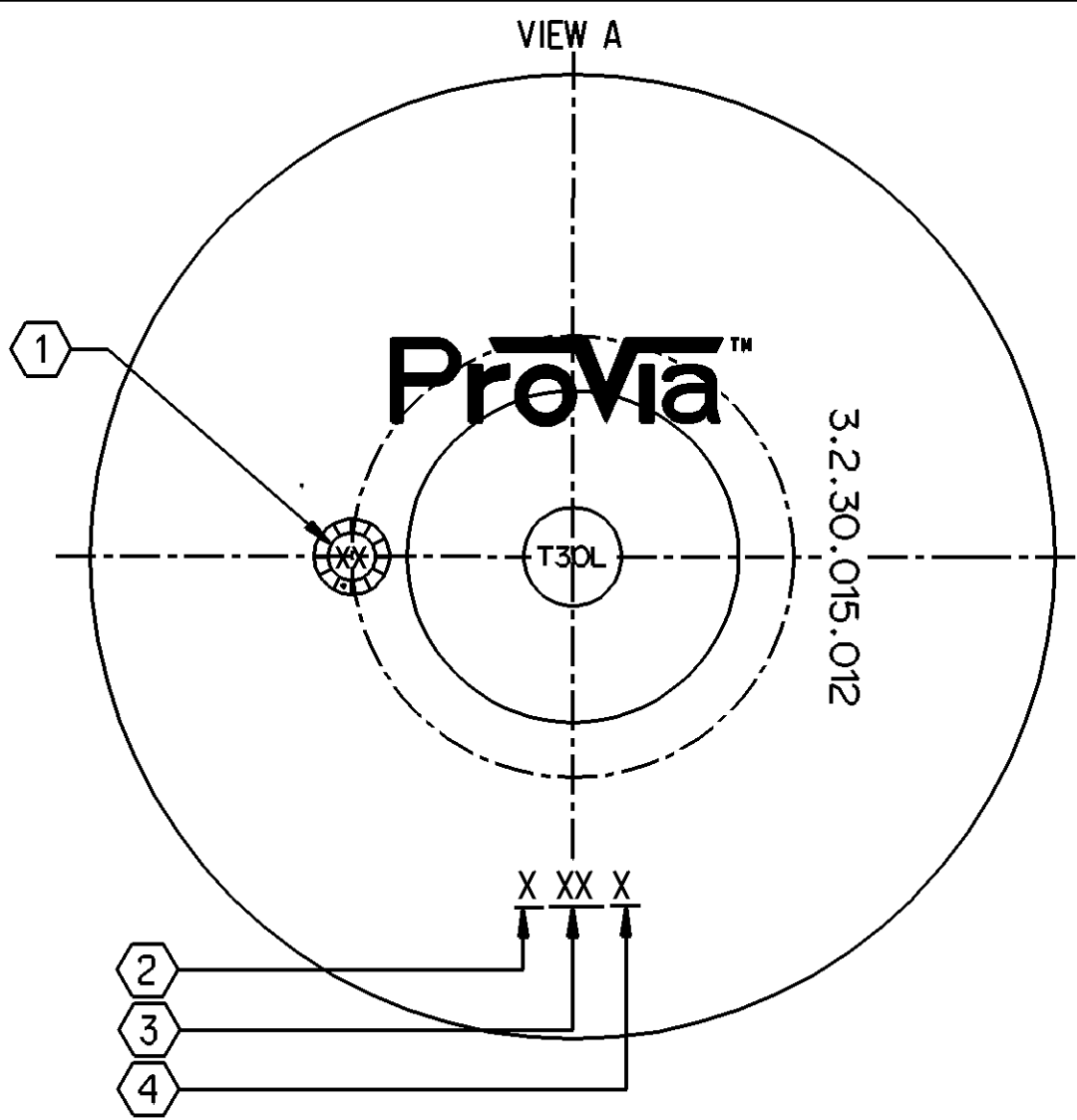
Non e permesso consegnare a terzi o riprodurre questo documento, ne utilizzare il contenuto o renderlo comunque noto a terzi senza autorizzazione esplicita. Ogni infrazione costituirà un evidente abuso e comporterà il risarcimento dei danni subiti. E' fatto riserva di tutti i diritti derivanti da brevetti o modelli.

Toute communication ou reproduction de ce document, toute exploitation ou communication de son contenu sont interdites, sauf autorisation expresse. Tout manquement a cette regle constitue un abus evident et expose son auteur au versement de dommages et interets. Tous droits de propriete industrielle reserves, notamment en matiere de brevets et de modesles.

Copying of this document and giving it to others and the use or communication of the contents thereof, are forbidden without express authority. Controvention of this restriction will constitute an evident abuse and result in a liability to the payment of damages. All rights are reserved in the event of the grant of patent or registration of a utility model or design. This document is the subject of copyright.

Weitergabe sowie Vervielfaeligung dieser Unterlage, Verwertung und Mitteilung ihres Inhalts nicht gestattet, soweit nicht ausdruecklich zugestanden. Zuwiderhandlungen stellen einen offensichtlichlichen Misbrauch dar und verpflichten zu Schadenersatz. Alle Rechte fuer den Fall der Patenterteilung oder Gebrauchsmuster-Eintragung vorbehalten.

<1>	SAFETY CHARACTERISTICS	0
<2>	SIGNIFICANT CHARACTERISTICS	0
<CI>	CUSTOMER INTERFACE	0



- ① DATE STAMP
- ② SUPPLIER CODE
- ③ MOULD NUMBER
- ④ CAVITY NUMBER

General Specification: JED-334-1 , Size ISO 14405 LP		Copyright WABCO®		 DIAPHRAGM	
Further Technical Data:-		Date	Signature		
Doc. Code:-	Sheet: To	Drawn	Saravanan		
General Tolerances JED-261		Checked	Yerachelvan		
Range of Nominal Dimensions ( ± mm)		Expert		Aswinkumar	
Class 1)	≤ 50	> 50 ≤ 180	> 180 ≤ 400	> 400	±3°
Fine	0.5	1.0	1.5	2.0	
Medium	<b>X</b> 1.0	2.0	3.0	4.0	
Coarse	2.0	3.5	5.0	6.5	
Tapped Holes acc.-		Mass	Scale	Material No.	
1) Tolerance Class Applied Crossmarked		0.196 KG	1:1	PRO 714 022 4	
		Size	CAD System	ECN-No.	Revision
		A 3	CREO	-	-
				Techn. Resp.	Replacement for
				5340_AM	
				Date of first issue: 2020-06-12	
				Doc.Code	Language
				005	EN
				Sheet	1/1

100mm