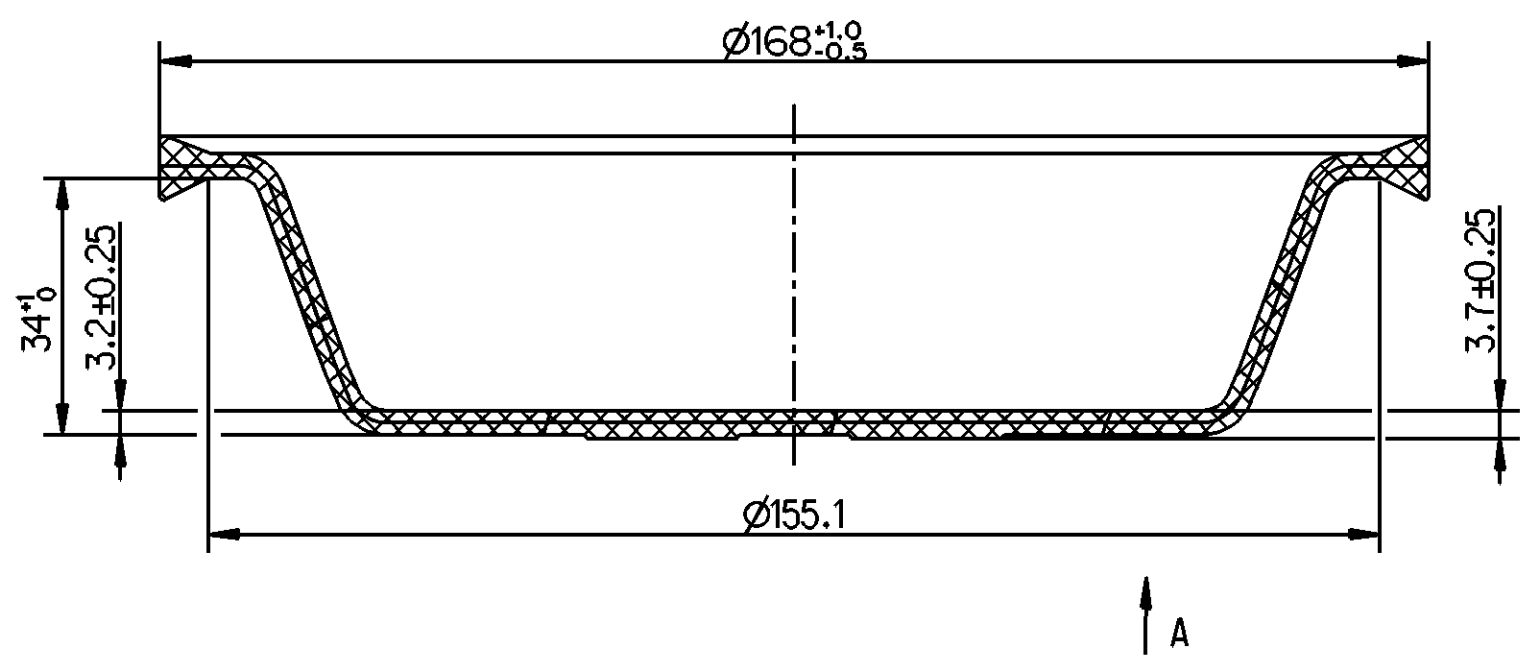
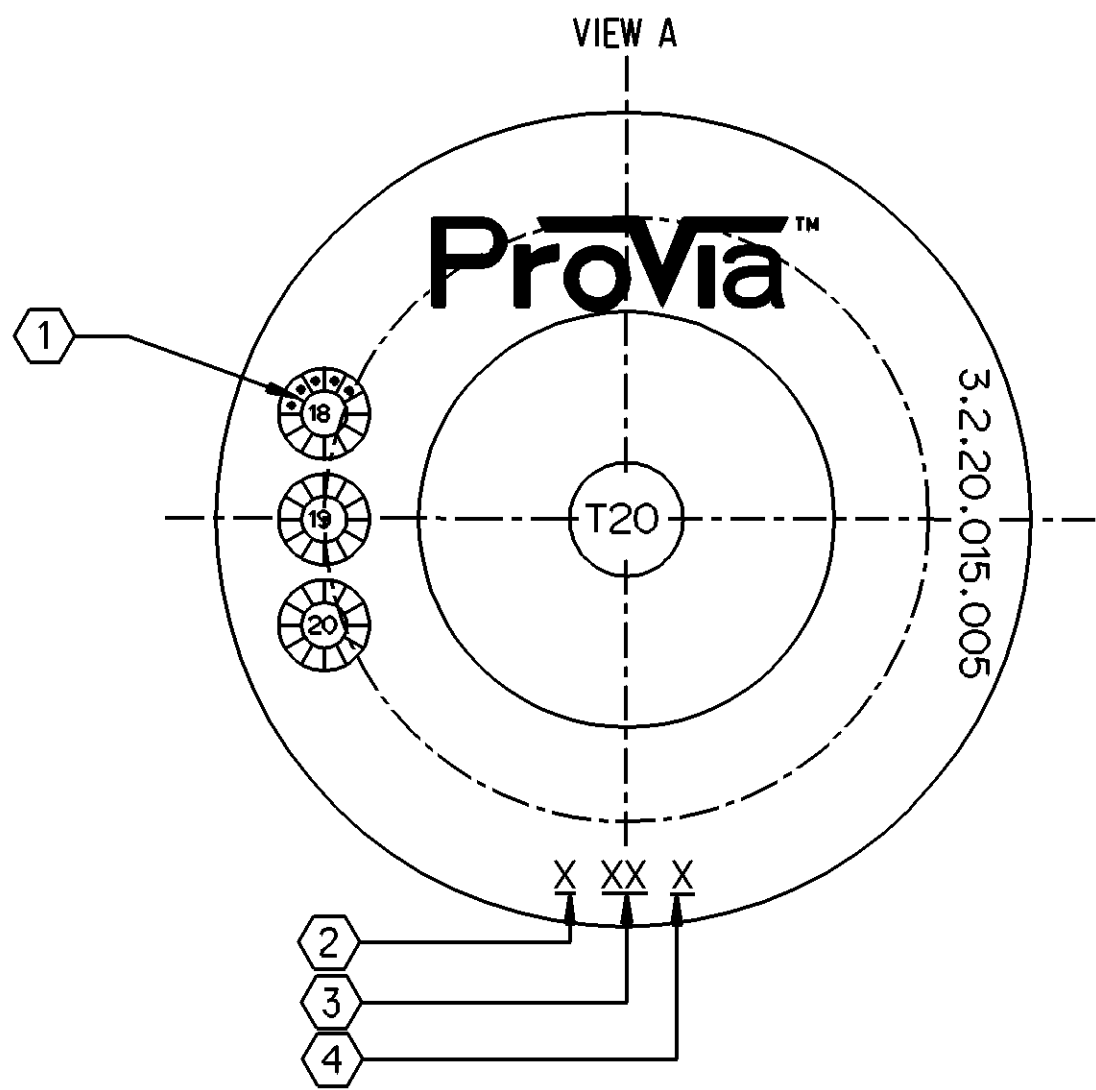


<1>	SAFETY CHARACTERISTICS	0
<2>	SIGNIFICANT CHARACTERISTICS	0
<CI>	CUSTOMER INTERFACE	0



- ① DATE STAMP
- ② SUPPLIER CODE
- ③ MOULD NUMBER
- ④ CAVITY NUMBER

Non e permesso consegnare a terzi o riprodurre questo documento, ne utilizzare il contenuto o renderlo comunque noto a terzi senza autorizzazione esplicita. Ogni infrazione costituirà un evidente abuso e comporterà il risarcimento dei danni subiti. E' fatta riserva di tutti i diritti derivanti da brevetti o modelli. Copying of this document and giving it to others and the use or communication of the contents thereof, are forbidden without express authority. Controvention of this restriction will constitute an evident abuse and result in a liability to the payment of damages. All rights are reserved in the event of the grant of patent or registration of a utility model or design. This document is the subject of copyright.

Toute communication ou reproduction de ce document, toute exploitation ou communication de son contenu sont interdites, sauf autorisation expresse. Tout manquement a cette regle constitue un abus evident et expose son auteur au versement de dommages et interets. Tous droits de propriete industrielle reserves, notamment en matiere de brevets et de modesles. Weitergabe sowie Vervielfaeligung dieser Unterlage, Verwertung und Mitteilung ihres Inhalts nicht gestattet, soweit nicht ausdruecklich zugestanden. Zuwiderhandlungen stellen einen offensichtlichlichen Misbrauch dar und verpflichten zu Schadenersatz. Alle Rechte fuer den Fall der Patenterteilung oder Gebrauchsmuster-Eintragung vorbehalten.

General Specification: JED-334-1 , Size ISO 14405 LP		Copyright WABCO®		 DIAPHRAGM		Date of first issue: 2020-06-12		
Further Technical Data:-		Date	Signature			Doc.Code	Language	Sheet
Doc. Code:-	Sheet: To	2020-06-10	Saravanan			005	EN	1/1
General Tolerances JED-261		Checked	2020-06-12			PRO 714 024 4		
Range of Nominal Dimensions (± mm)		Expert		Material No.		Replacement for		
Class 1)	≤ 50	> 50 ≤ 180	> 180 ≤ 400	> 400	Aswinkumar	5350_AM		
Fine	0.5	1.0	1.5	2.0	Mass	Scale		
Medium	X 1.0	2.0	3.0	4.0	0.13 KG	1:1		
Coarse	2.0	3.5	5.0	6.5	Size	CAD System		
Tapped Holes acc.-		A 3	CREO	ECN-No.		Revision	Techn. Resp.	
1) Tolerance Class Applied Crossmarked				-		-		

