

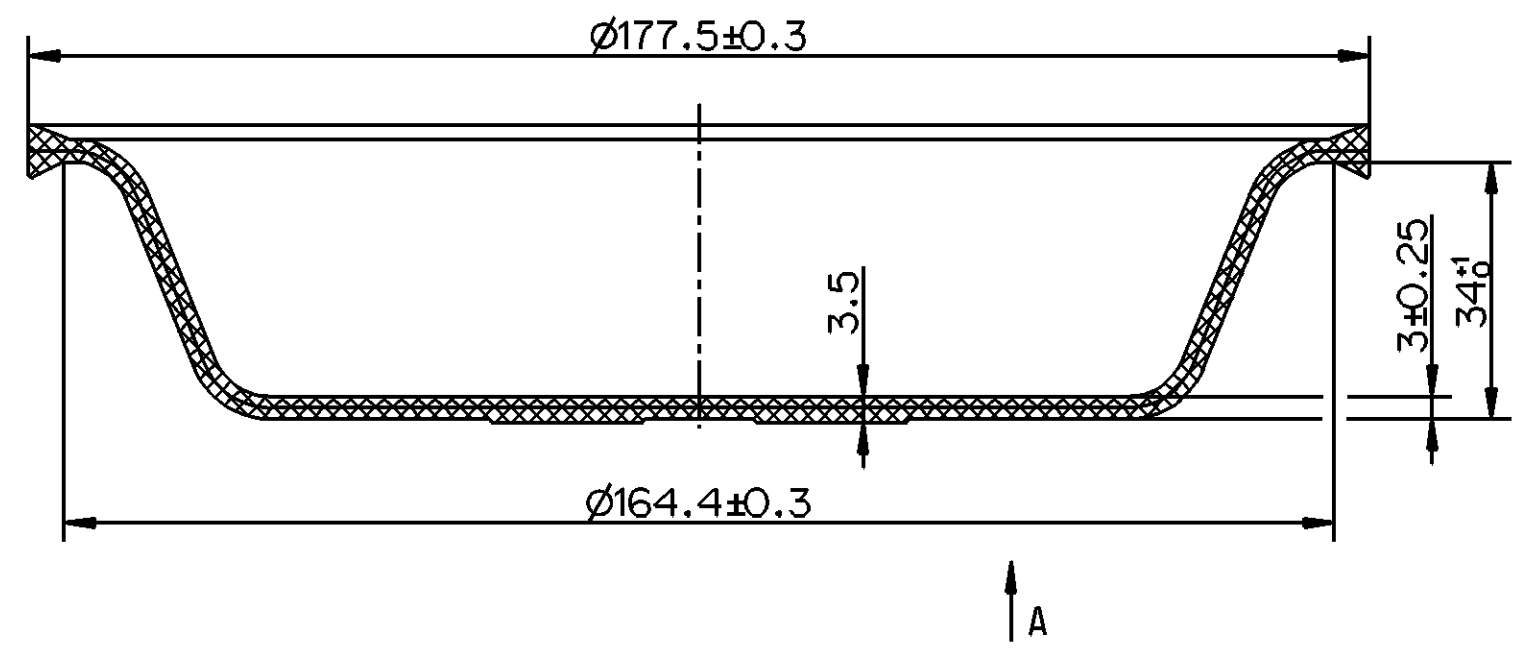
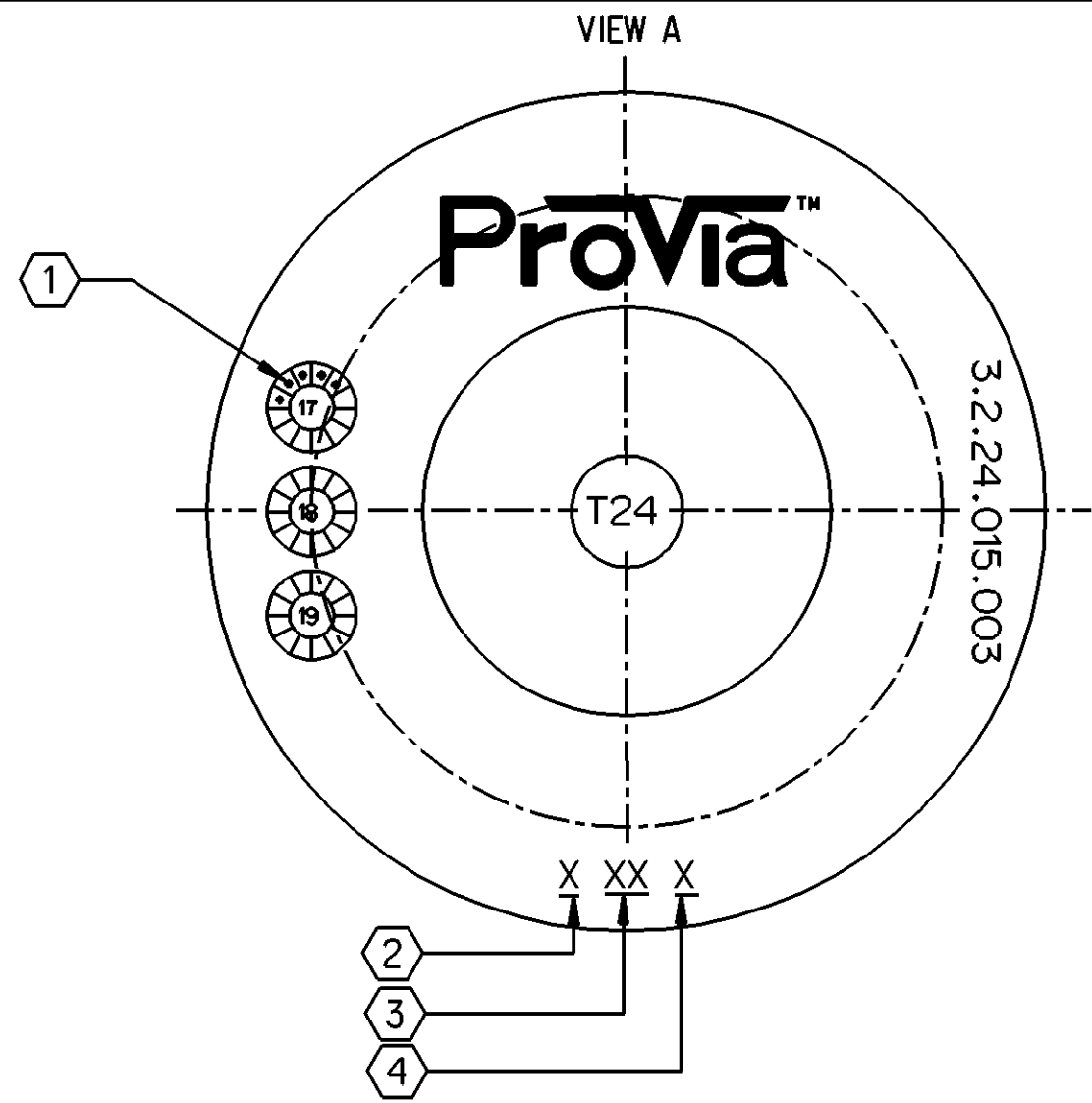
Non e permesso consegnare a terzi o riprodurre questo documento, ne utilizzarne il contenuto o renderlo comunque noto a terzi senza autorizzazione esplicita. Ogni infrazione costituirà un evidente abuso e comporterà il risarcimento dei danni subiti. E' fatto riserva di tutti i diritti derivanti da brevetti o modelli.

Toute communication ou reproduction de ce document, toute exploitation ou communication de son contenu sont interdites, sauf autorisation expresse. Tout manquement a cette regle constitue un abus evident et expose son auteur au versement de dommages et interets. Tous droits de propriete industrielle reserves, notamment en matiere de brevets et de modesles.

Copying of this document and giving it to others and the use or communication of the contents thereof, are forbidden without express authority. Contrivention of this restriction will constitute an evident abuse and result in a liability to the payment of damages. All rights are reserved in the event of the grant of patent or registration of a utility model or design. This document is the subject of copyright.

Weitergabe sowie Vervielfaeligung dieser Unterlage, Verwertung und Mitteilung ihres Inhalts nicht gestattet, soweit nicht ausdrecklich zugestanden. Zuwiderhandlungen stellen einen offensichtlichlichen Misbrauch dar und verpflichten zu Schadenersatz. Alle Rechte fuer den Fall der Patentierung oder Gebrauchsmuster-Eintragung vorbehalten.

<1>	SAFETY CHARACTERISTICS	0
<2>	SIGNIFICANT CHARACTERISTICS	0
<CI>	CUSTOMER INTERFACE	0



- ① DATE STAMP
- ② SUPPLIER CODE
- ③ MOULD NUMBER
- ④ CAVITY NUMBER

General Specification: JED-334-1 , Size ISO 14405 LP		Copyright WABCO®		 DIAPHRAGM					
Further Technical Data:-		Date	Signature				Date of first issue: 2020-06-12		
Doc. Code:-	Sheet: To	2020-06-10	Saravanan				Doc.Code	Language	Sheet
General Tolerances JED-261		2020-06-12	Yerachelvan				005	EN	1/1
Range of Nominal Dimensions ( ± mm)		Checked		Material No.					
Class 1)	≤ 50	> 50 ≤ 180	> 180 ≤ 400	> 400	±3°				
Fine	0.5	1.0	1.5	2.0	0.14 KG				
Medium	1.0	2.0	3.0	4.0	1:1				
Coarse	2.0	3.5	5.0	6.5	Size CAD System				
Tapped Holes acc.-		Aswinkumar		PRO 714 025 4					
1) Tolerance Class Applied Crossmarked		Mass	Scale	Date of first issue: 2020-06-12					
		0.14 KG	1:1	Doc.Code Language Sheet					
		Size	CAD System	005 EN 1/1					
		A 3	CREO	Replacement for					
		ECN-No. Revision Techn. Resp.		-					
		-		5340_AM					

100mm