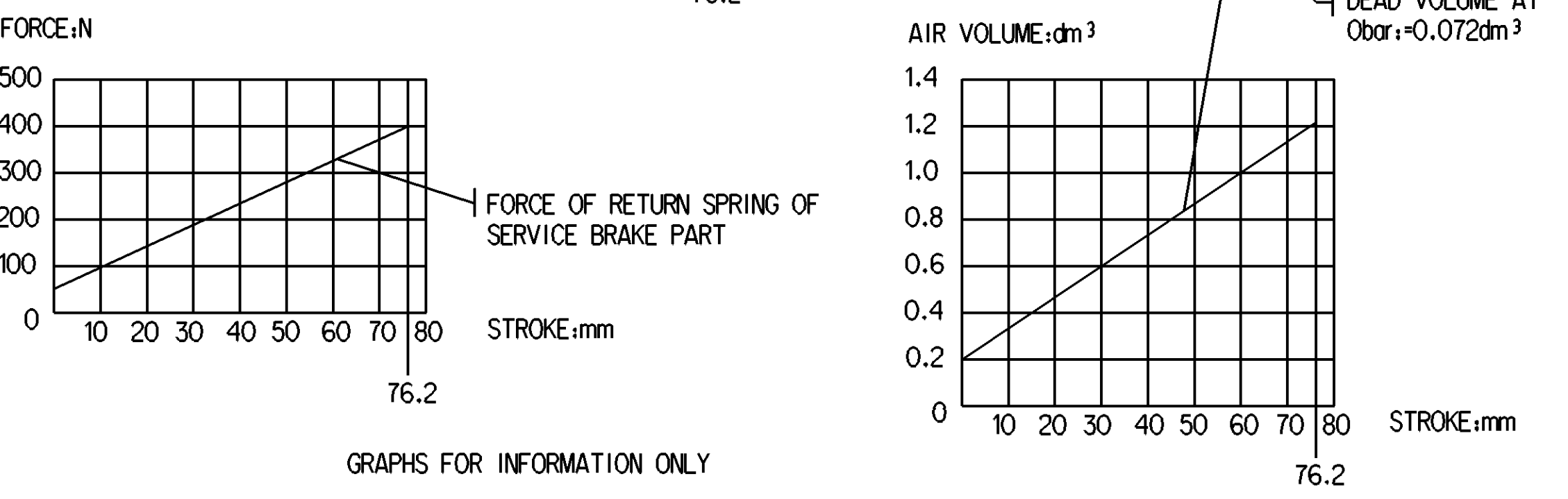
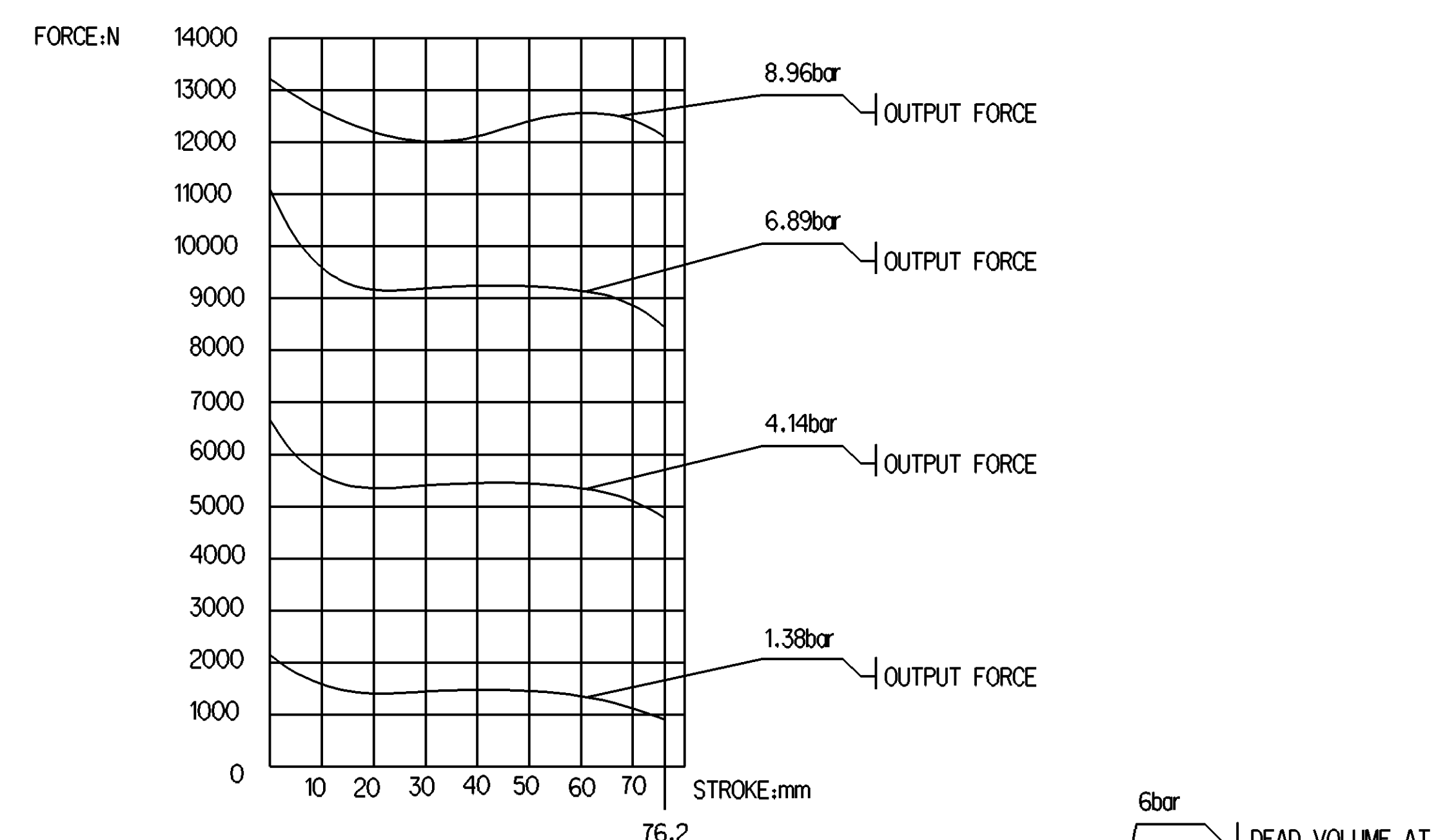
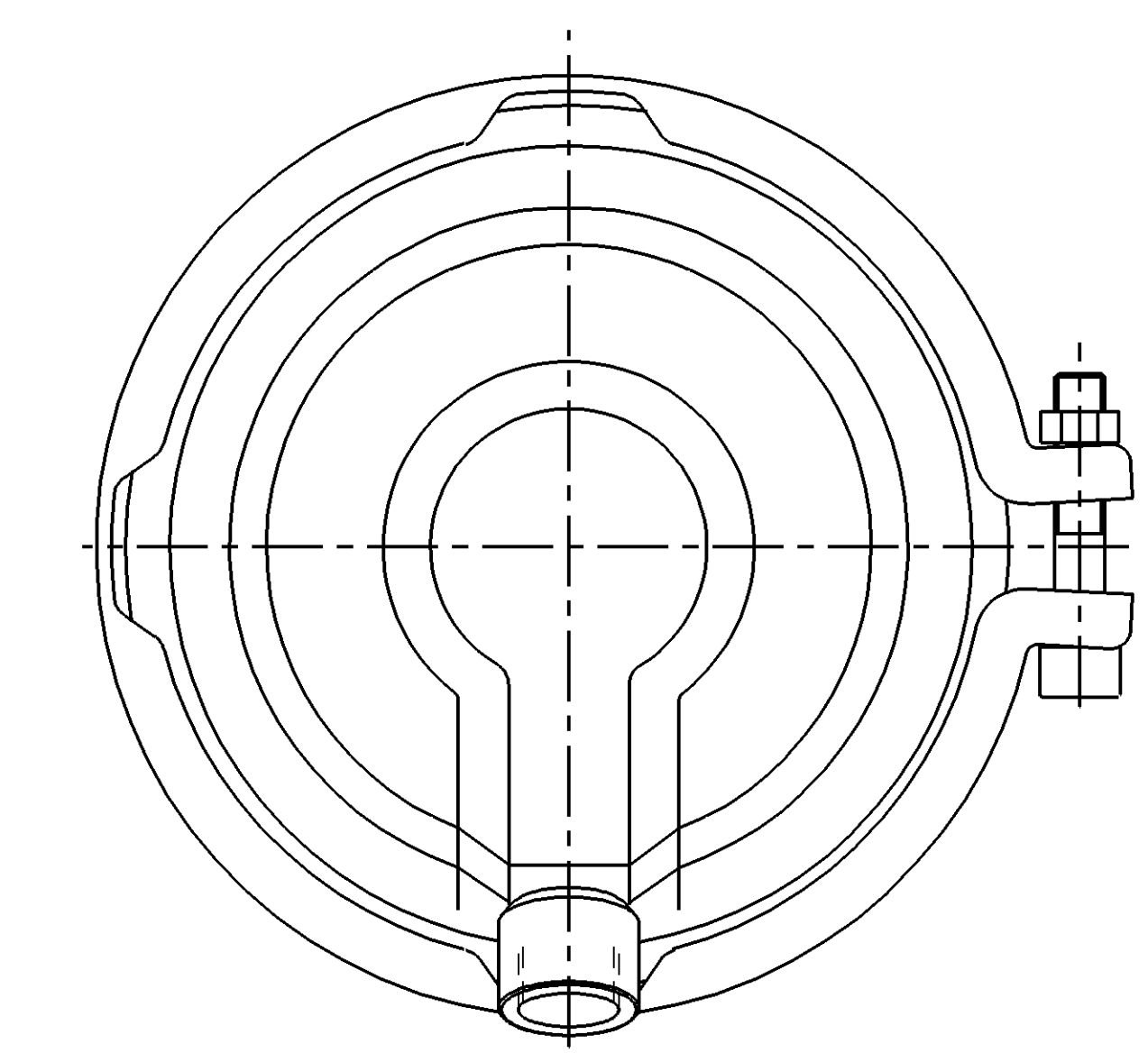
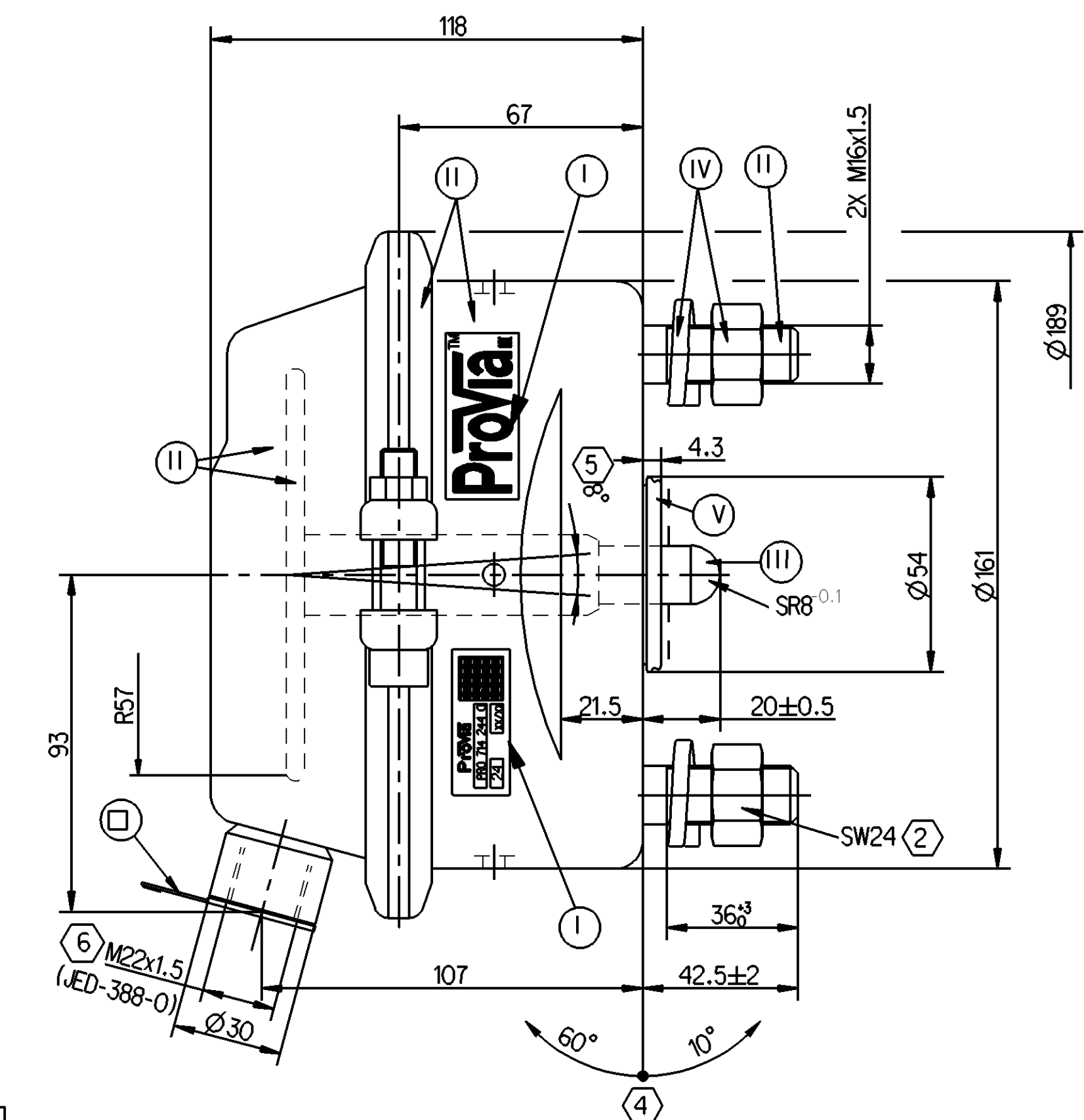
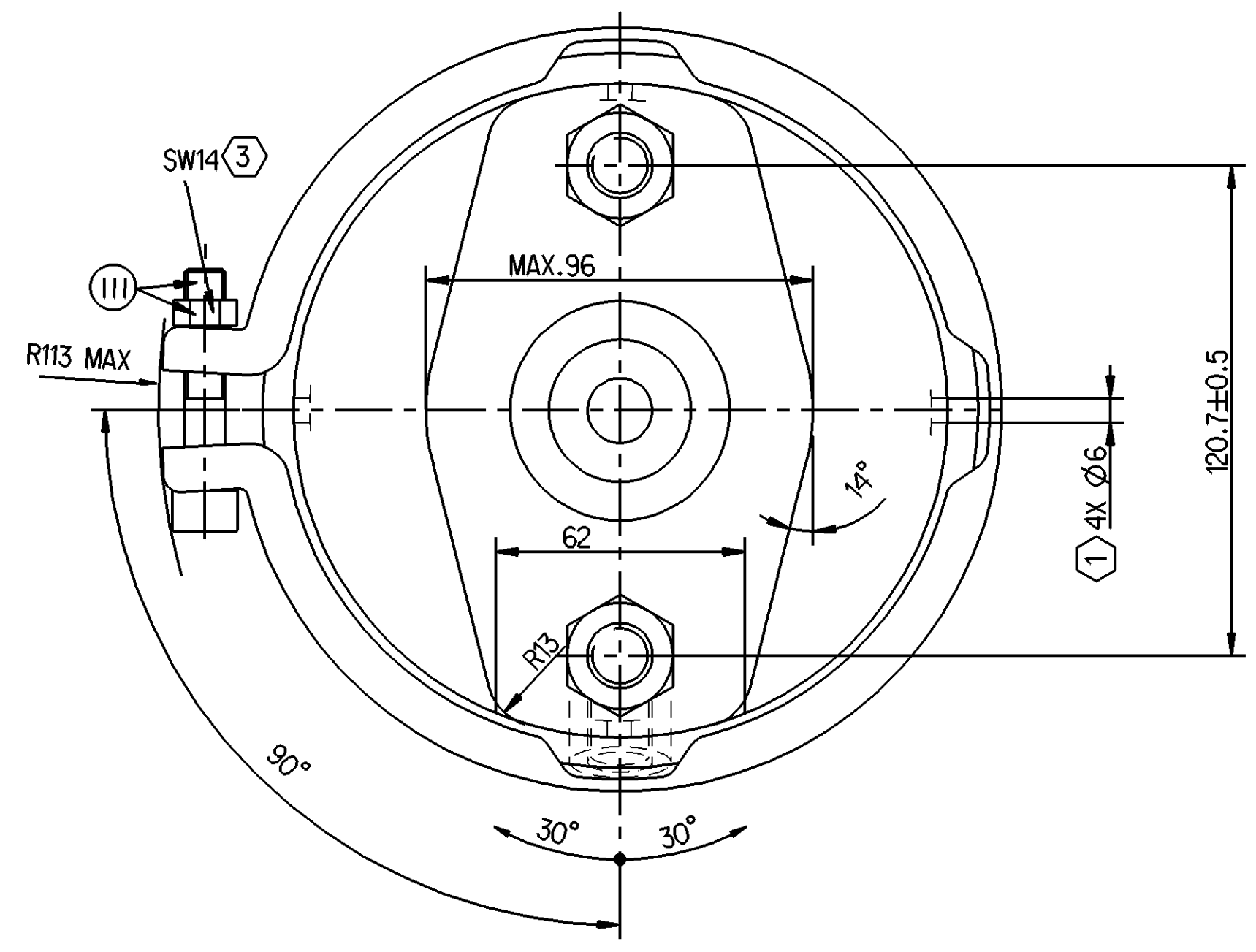


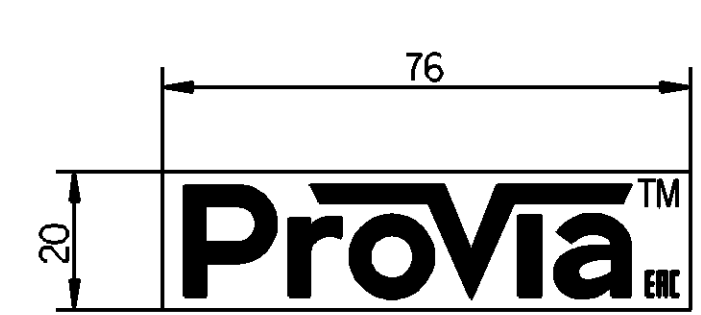
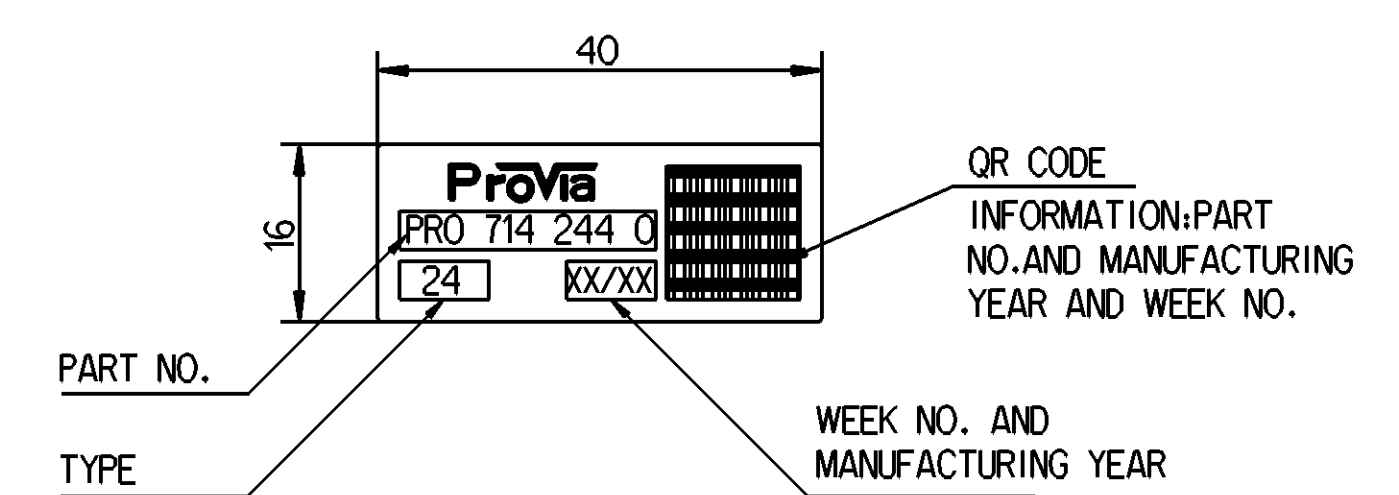
SURFACE PROTECTION	
I	STICKER
II	ELECTRO-PAINTING
III	DACROMET
IV	ZINC PLATED WITH CR6+ FREE
V	RUBBER
VI	HARD POLYETHYLENE

SAFETY CHARACTERISTICS	0
SIGNIFICANT CHARACTERISTICS	0

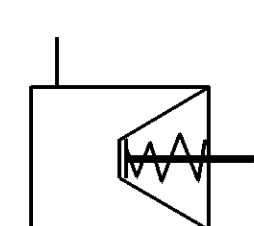


- ① OPEN BREATHER HOLE
- ② TORQUE: 220±20 Nm
- ③ TORQUE: ≥35Nm
- ④ ADMISSIBLE INSTALLATION POSITION
- ⑤ DEFLECTION: 8° MAX AT STROKE:0 mm
- ⑥ TORQUE: 70±10Nm

TECHNICAL REQUIREMENT:REQUIREMENT:
 1.STROKE:≥76.2mm;
 2.WORKING PRESSURE: Pmax. 10.2 bar, Temporarily 13 bar;
 3.WORKING TEMPERATURE:-40°C...+80°C (-40°F...+176D);



NAME PLATE



General Specifications: JED-334-1 - Size ISO 14405 LP		Copyright WABCO®	
Further Technical Data: Pro 714 710 0		Date	Signature
Doc. Code: 035	Sheet: 01 To 05	2019-07-12	Saravanan
General Tolerances JED-261		Checked	
Range of Nominal Dimensions (± mm)		2019-07-12 Yerahachelvan	
Class 1) ≤ 50 > 50 > 180 > 400		Expert	
Fine	0.5 1.0 1.5 2.0	Mass	Scale
Medium X	1.0 2.0 3.0 4.0	3.4	1:1
Coarse	2.0 3.5 5.0 6.5	Size	CAD System
Tapped Holes acc. JED-388-0		Material No.	
1) Tolerance Class Applied Crossmarked		PRO 714 244 0	
		Date of first issue:	2019-07-12
		Doc.Code	Language
		005	EN
		Sheet	1/1
		Ech.No. Revision Techn. Resp. Replacement for	
		5350_AM	

Non è permesso copiare o riprodurre questo documento, né utilizzare il contenuto a fini commerciali, senza permesso scritto dalla WABCO. Tutti i diritti sono riservati. Toute réimpression ou utilisation non autorisée sans la permission écrite de la WABCO est formellement interdite. Toute utilisation non autorisée sera considérée comme acte de contrefaçon et sera poursuivie en justice.