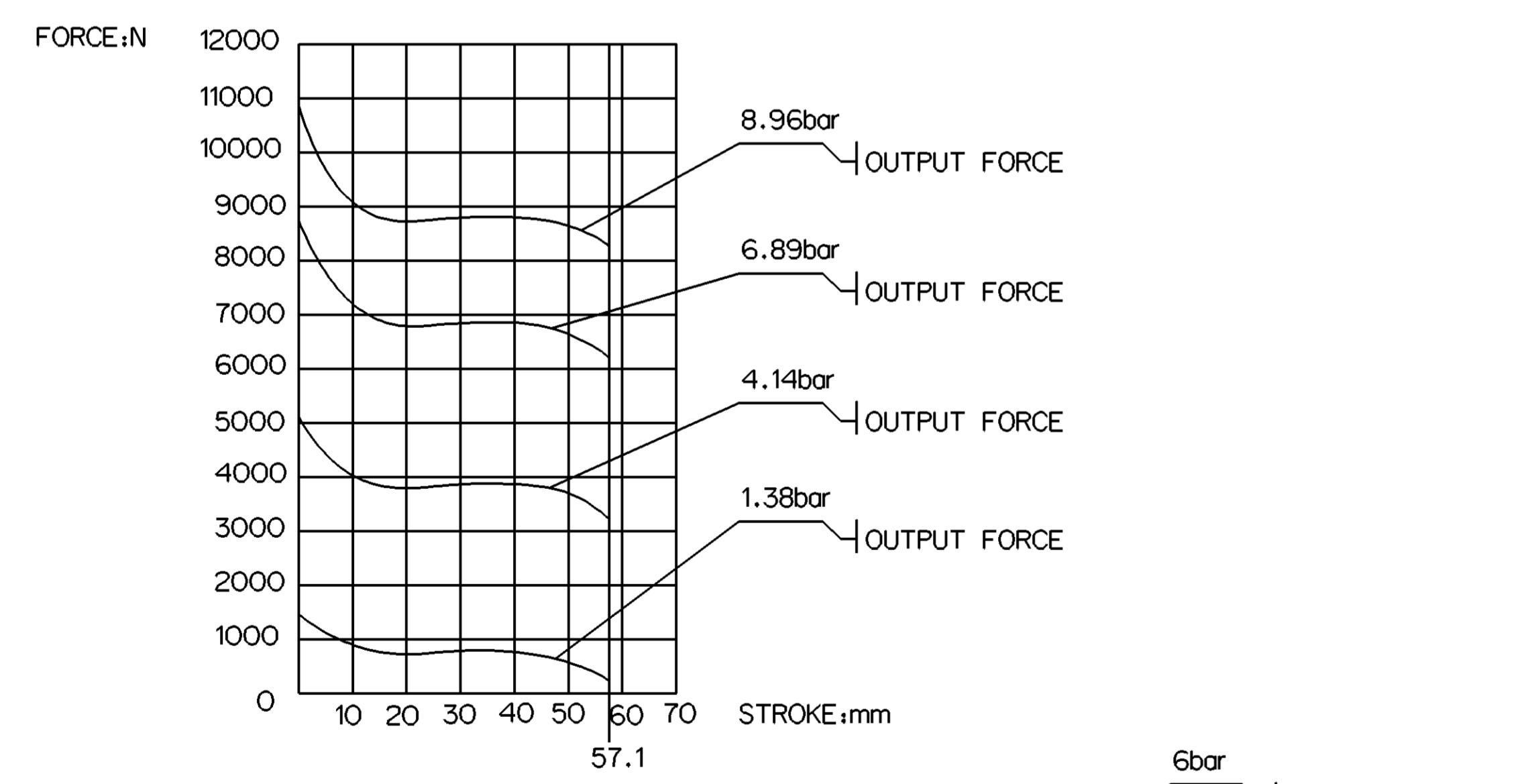
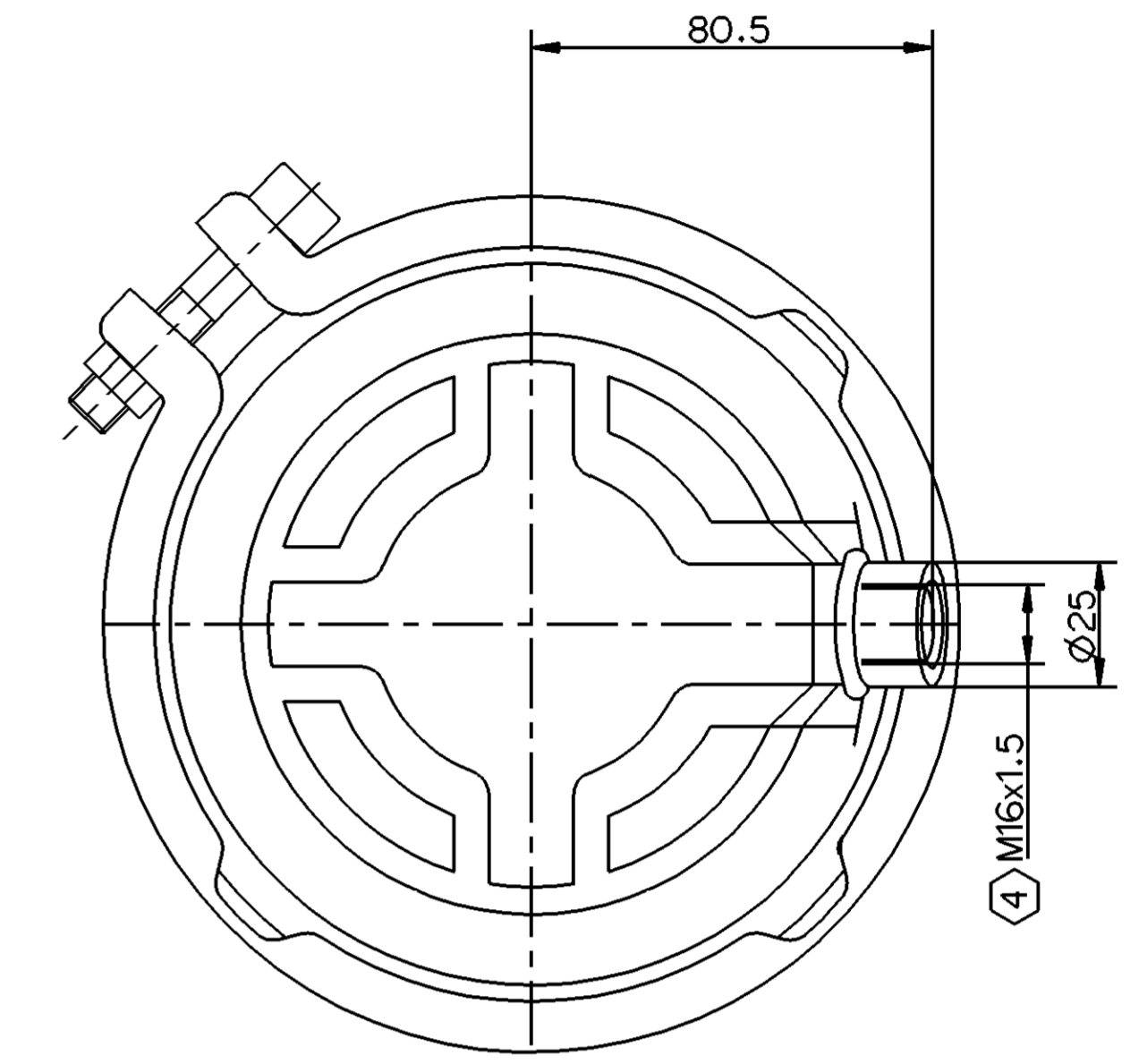
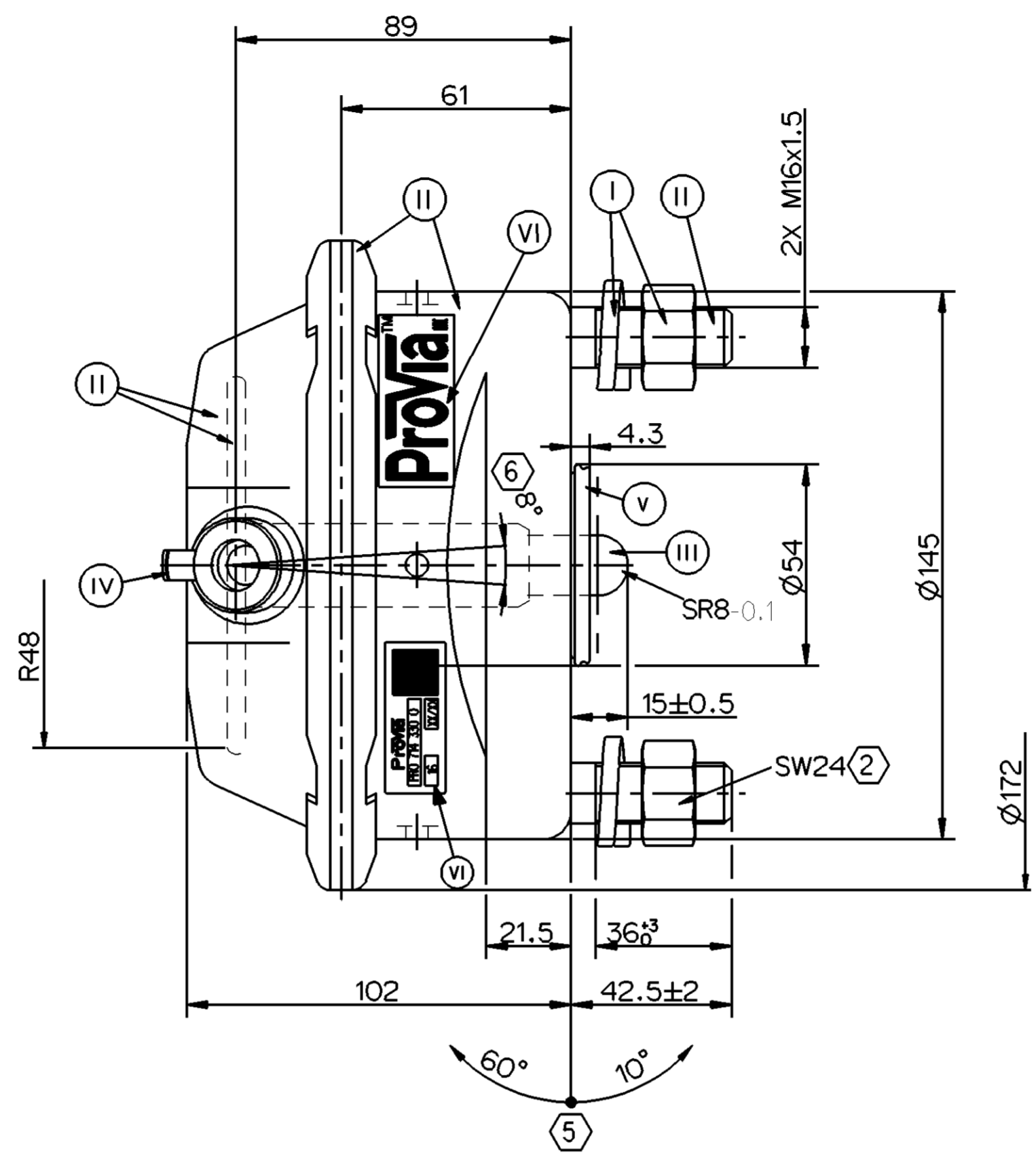
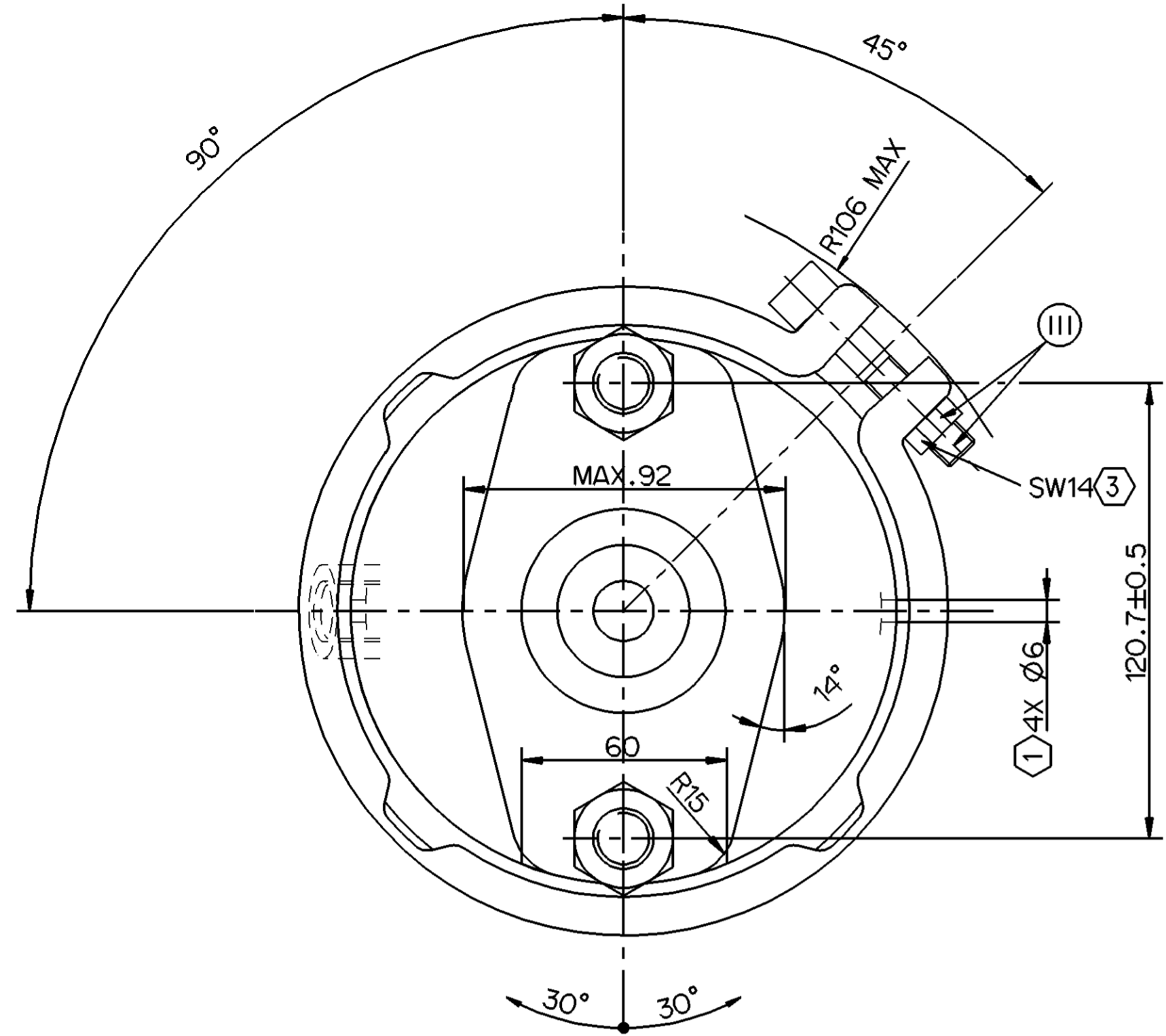


SURFACE PROTECTION	
I	ZINC PLATED WITH CR6+ FREE
II	ELECTRO-PAINTING
III	DACROMET
IV	HARD POLYETHYLENE
V	RUBBER
VI	STICKER

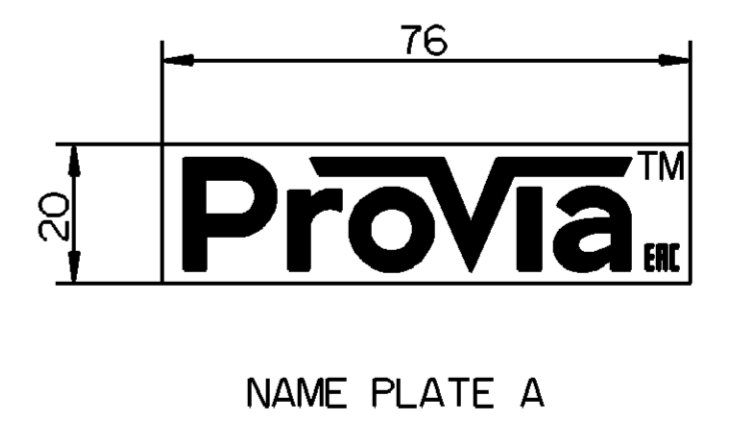
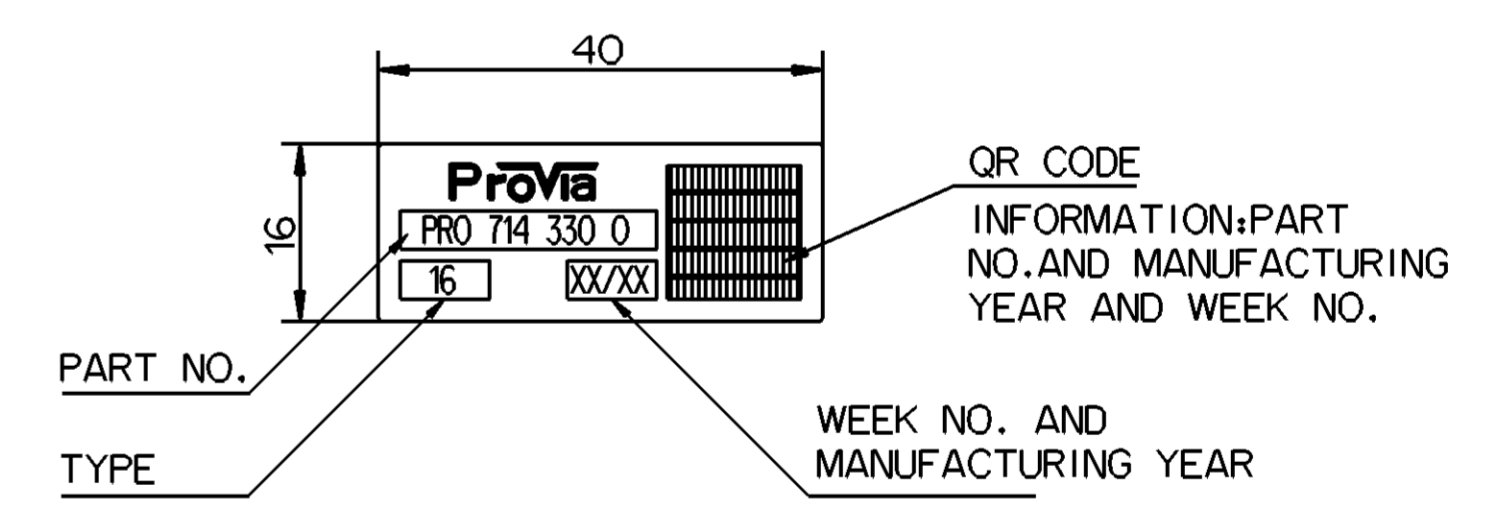
<->	SAFETY CHARACTERISTICS	0
<->	SIGNIFICANT CHARACTERISTICS	0



- ① OPEN BREATHER HOLE
- ② TORQUE: 220±20 Nm
- ③ TORQUE: ≥35Nm
- ④ TORQUE: 45±5Nm
- ⑤ ADMISSIBLE INSTALLATION POSITION
- ⑥ DEFLECTION: 8° MAX AT STROKE:0 mm

TECHNICAL REQUIREMENT:

- STROKE: ≥57.1mm;
- WORKING PRESSURE: Pmax. 10.2 bar, Temporarily 13 bar;
- WORKING TEMPERATURE: -40°C...+80°C (-40°F...+176°F);



General Specifications: JED-334-1 - Size ISO 14405 LP		Copyright WABCO®		Date		Signature		ProVia	
Further Technical Data: Pro 714 710 0		Doc. Code: 035		Sheet: 01		To: 05		BRAKE CHAMBER DISC 16	
General Tolerances JED-261		Range of Nominal Dimensions (± mm)		2019-05-29		Saranvanan		Checked	
Class 1) ≤ 50 > 50 > 180 > 400 > 400		±3°		2019-07-12		Yerachachelvan		Expert	
Fine 0.5 1.0 1.5 2.0		Medium X 1.0 2.0 3.0 4.0		Coarse 2.0 3.5 5.0 6.5		Mass 3.2 KG		Scale 1:1	
Tapped Holes acc. JED-152		1) Tolerance Class Applied Crossmarked		Size CAD System		Material No. PRO 714 330 0		Date of first issue: 2019-07-12	
A 1		CREO		Ech.No.		Revision		Techn. Resp.	
				5350_AM				Replacement for	

Non e permesso copiare o riprodurre questo documento, ne utilizzare il contenuto o metterlo comunque in rete senza permesso scritto dalla WABCO. Tutti i diritti sono riservati. Toute réimpression ou utilisation non autorisée sans la permission écrite de la WABCO est formellement interdite. Toute réimpression ou utilisation non autorisée sans la permission écrite de la WABCO est formellement interdite. All rights reserved. No part of this document may be reproduced, stored in a retrieval system, or transmitted in any form or by any means electronic, mechanical, photocopying, recording, or by any information storage or retrieval system without the prior written permission of WABCO.