

CLEARANCE OF MIN. 3 - MAX 6 DIGITS BETWEEN BATCH NUMBER AND ENVIRONMENTAL MARKING

DRAFT FOR TEXT AREAS EXPLANATION ONLY. DRAFT CAN BE DIFFERENT TO THE REAL PART.

IDENTIFICATION	DESIGNATION	KIND OF MARKING	COLOUR	SIZE OF TYPES RESP. STANDARD	REMARKS
e	PROVIA - LOGO	TAMPON / UV-BRANDING	WHITE	SIZE 6	
f	PROVIA - SET NUMBER	TAMPON / UV-BRANDING	WHITE		
g	PROVIA - SALES REFERENCE, US-CODE (WHEN EXIST)	TAMPON / UV-BRANDING	WHITE		
h	NUMBER OF WVA	TAMPON / UV-BRANDING	WHITE		HEIGHT OF CHARACTERS 5±1MM HEIGHT OF CHARACTERS AND POSITION OF THE MARKING MAY BE ACC. TO THE SHAPE OF THE BACKING PLATE
j	NUMBER OF ECE	TAMPON / UV-BRANDING	WHITE		
k	COUNTRY OF ORIGIN	TAMPON / UV-BRANDING	WHITE		
l	BATCH NUMBER	TAMPON / UV-BRANDING	WHITE		
m	ENVIRONMENTAL MARKING ACC. TO SAE J866 JUL2012 OR LATEST	TAMPON / UV-BRANDING	WHITE		

- (A) MAX. 10% LACQUER PERMITTED, WITHOUT MOULD SKIN. (ACC. TO FINISHING CODE)
- (B) FIRMLY ATTACHED BURR AROUND PAD CONTOUR PERMITTED, MUST NOT PROTRUDE BEYOND BACKING PLATE

General Specification: JED-334-1 - Size ISO 14405 LP		Copyright WABCO®	
Further Technical Data: Part Specification		Date: 2018-07-18	Signature: Cebula
Doc. Code: 014	Sheet: 1 To 4	Checked: Marcinkiewicz	Expert: Liszwan
General Tolerances JED-261			
Range of Nominal Dimensions ( ± mm)			
Class	1)	> 50 > 180 > 400	∇
Fine	0.5	1.0 1.5 2.0	
Medium	X 1.0	2.0 3.0 4.0	±3°
Coarse	2.0	3.5 5.0 6.5	
Tapped Holes acc. -			
1) Tolerance Class Applied Crossmarked			
Mass: 9.0 kg	Scale: 1:1 (2:1)	Material No.: 340 901 070 2	Date of first issue: 2016-05-26
Size: A 1 CREO	Revision: 176942	Doc. Code: 005	Language: EN
Tech. Resp.: 8 x D		Replacement for: 0959	

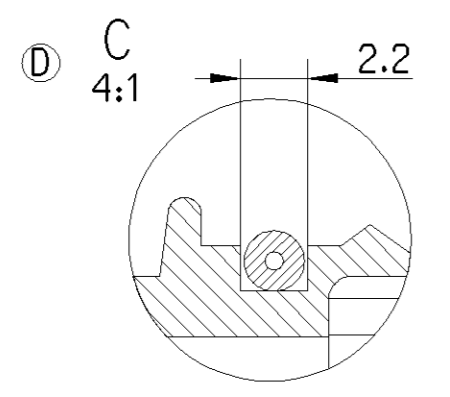
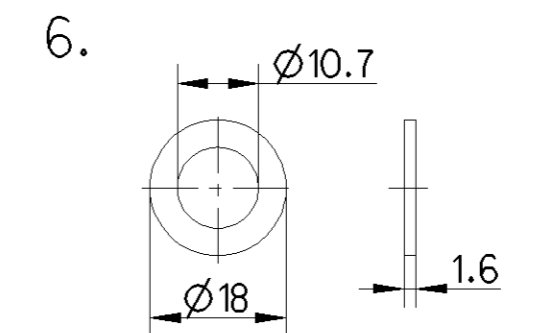
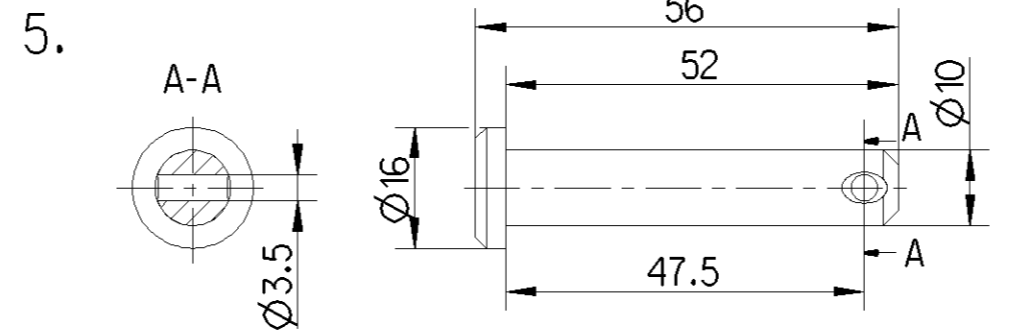
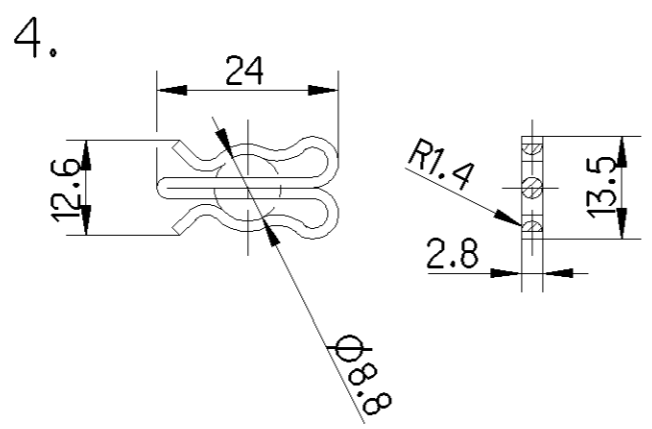
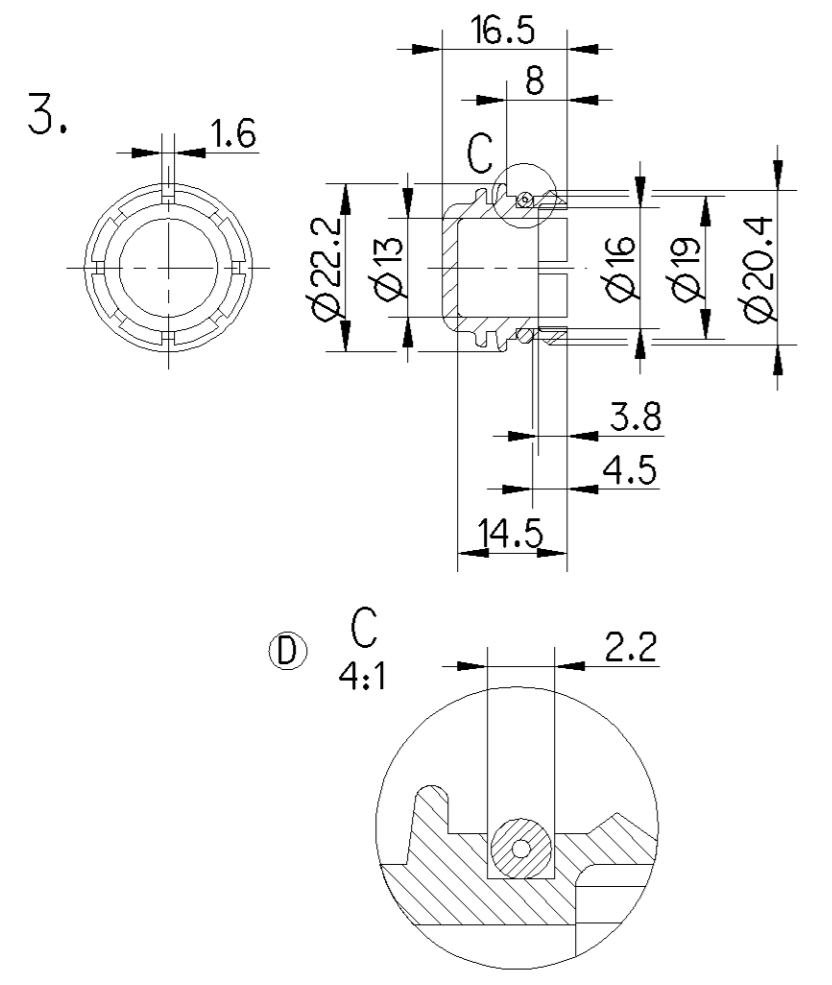
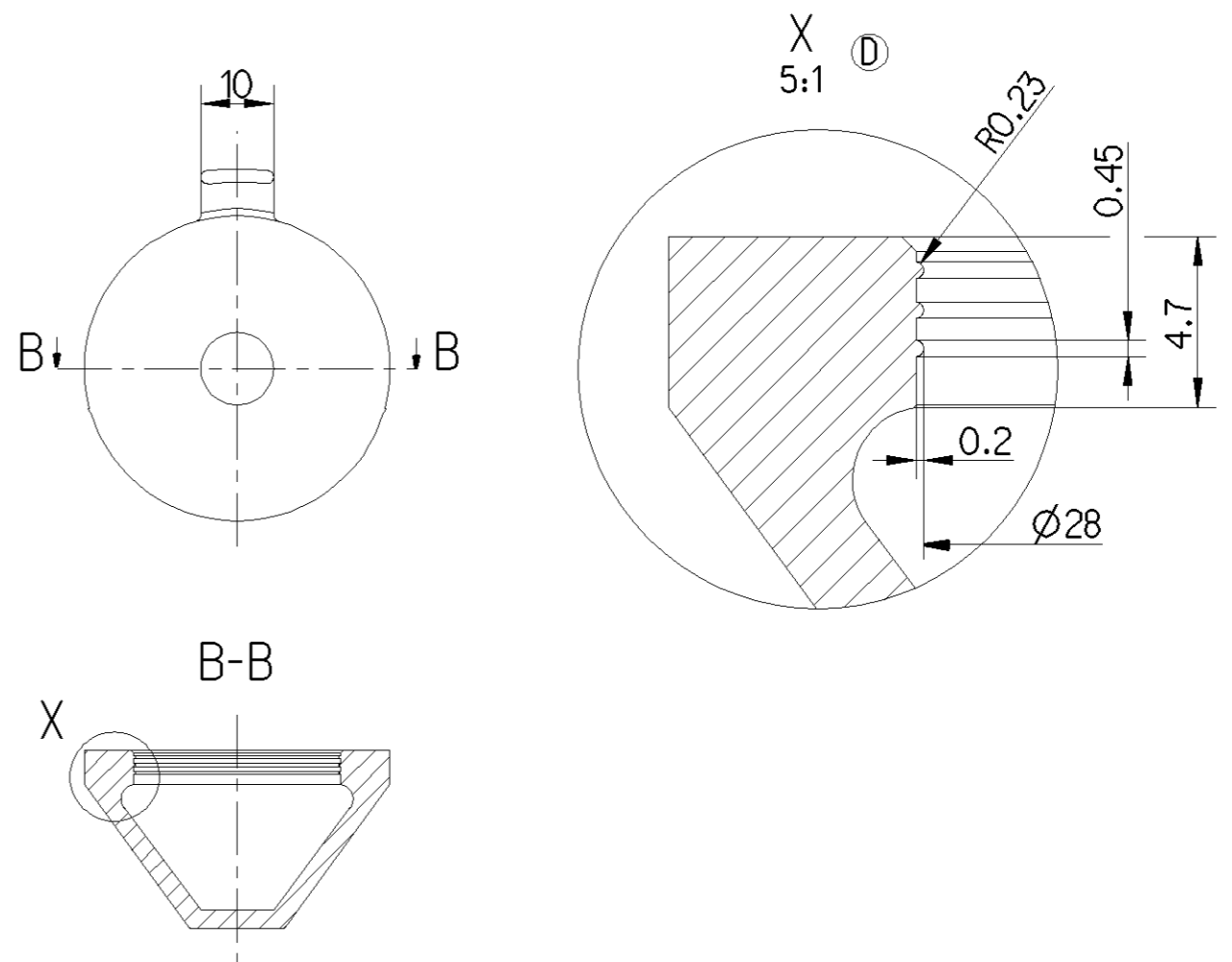
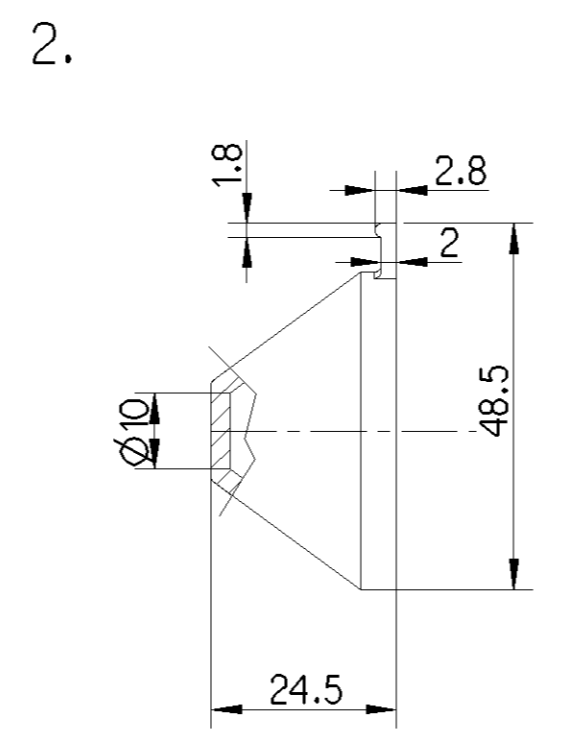
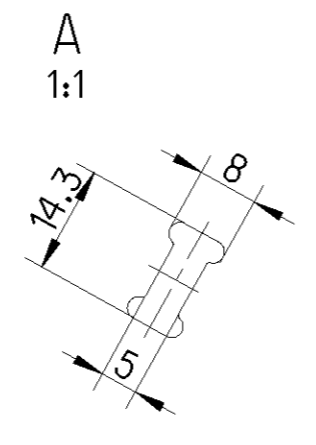
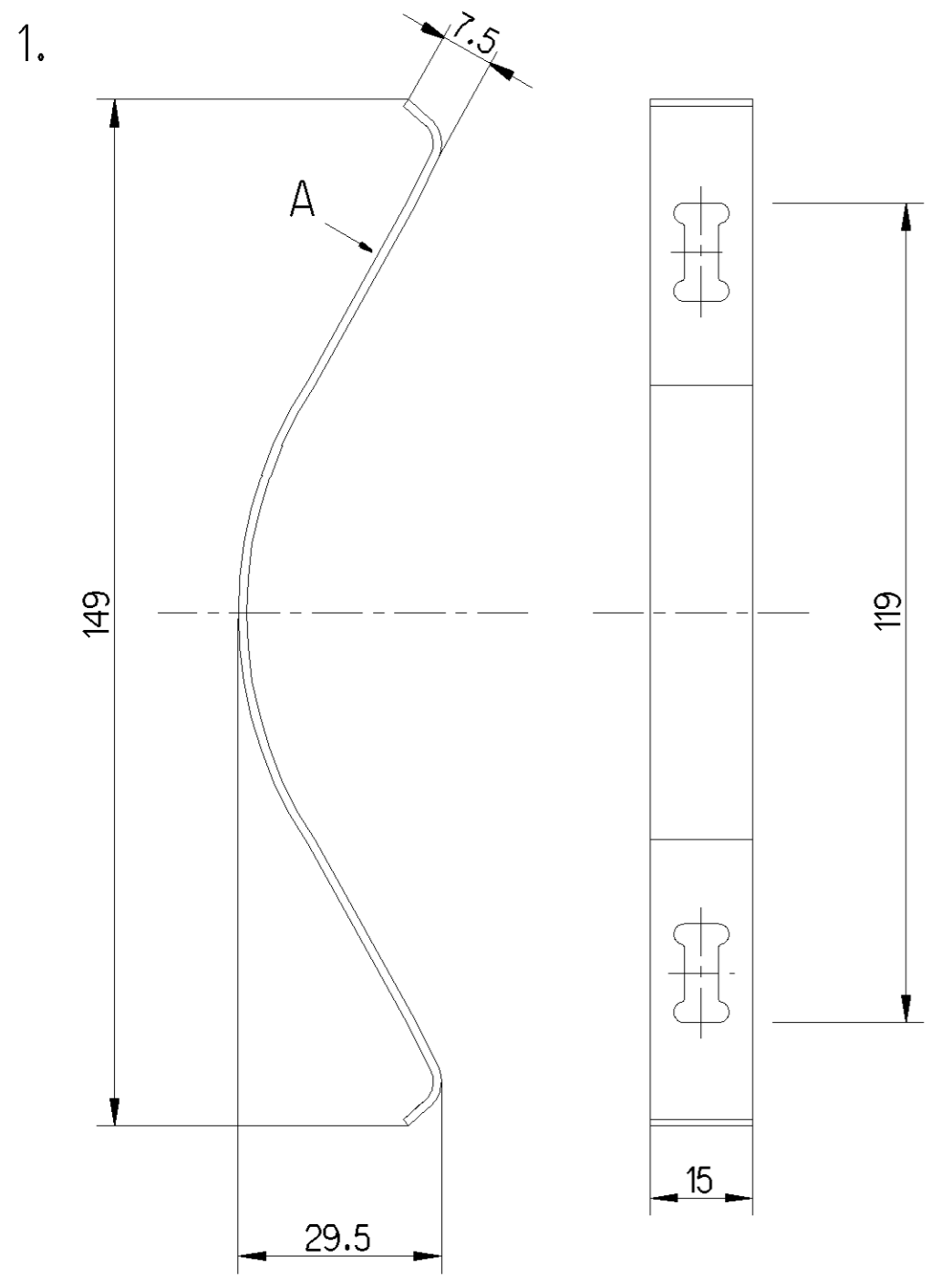
Non è permesso copiare o riprodurre questo documento, né utilizzare il contenuto a fini commerciali, senza permesso scritto dalla WABCO. È vietata espressamente la ristampa o l'uso non autorizzato. Toute réimpression ou utilisation non autorisée sans la permission écrite de la WABCO est formellement interdite. Toute utilisation non autorisée sera considérée comme une violation des droits de propriété intellectuelle. All rights reserved. No part of this document may be reproduced, stored in a retrieval system, or transmitted in any form or by any means, electronic, mechanical, photocopying, recording, or by any information storage and retrieval system, without the prior written permission of WABCO. This document is the property of WABCO.

Non e' permesso copiare, o terzi o riprodurre questo documento, ne utilizzare il contenuto o renderlo comunque noto a terzi senza autorizzazione esplicita. Ogni infrazione costituisce un evidente abuso e comportera il risarcimento dei danni subiti. E' fatta riserva di tutti i diritti derivanti da brevetti o modelli.

Copying of this document and giving it to others and the use or communication of the contents thereof, are forbidden without express authority. Contravention of this restriction will constitute an evident abuse and result in a liability to the payment of damages. All rights are reserved in the event of the grant of patent or registration of a utility model or design. This document is the subject of copyright.

Tout e reproduction ou reproduction de ce document, toute exploitation ou communication de son contenu sont interdites, sauf autorisation expresse. Tout manquement a cette regle constitue un abus evident et expose son auteur au versement de dommages et interets. Tous droits de propriete industrielle reserves, notamment en matiere de brevets et de modesles.

Wiederholte sowie Verletzung dieser Unterlage, Verletzung und Mitteilung ihres Inhalts nicht gestattet, soweit nicht ausdrücklich ansonsten, weitergegeben, stellen eine offensichtliche Missbrauch dar und verpflichten zu Schadensersatz. Alle Rechte hier den Fall der Patentierung oder Gebrauchsmuster-Eintragung vorbehalten.



POS.	NAME	QUANTITY
1	CLIP	4
2	CAB	2
3	PROTECTING CAP	2
4	LOCKING SPRING	2
5	BOLT	2
6	WASHER	2

General Specification: JED-334-1, Size ISO 14405 LP

Copyright WABCO®

Further Technical Data: Part Specification

Doc. Code: 014 Sheet: To

General Tolerances JED-261

Class	1)	≤ 50	> 50 ≤ 180	> 180 ≤ 400	> 400
Fine		0.5	1.0	1.5	2.0
Medium	X	1.0	2.0	3.0	4.0
Coarse		2.0	3.5	5.0	6.5

1) Tolerance Class Applied Crossmarked

Mass: 0,5 kg

Scale: 1:1 (4:1, 5:1)

Size: CAD System

Material No.: 340 901 070 2

Date of first issue: 2015-03-26

Doc. Code: 005 Language: EN Sheet: 2/2

ECN-No.: 176942 Revision: 8 x D Techn. Resp.: 0959 Replacement for: -

A 2 CREO

ProVia PAD KIT

2018-07-18 Drawn: Cebula

2018-07-18 Checked: Marcinkiewicz

Expert: Lisztwan