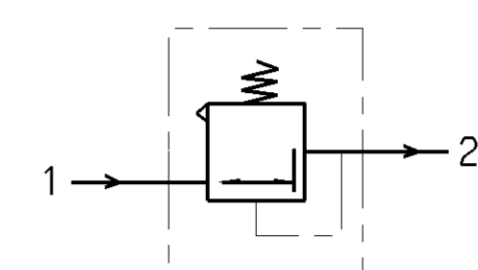
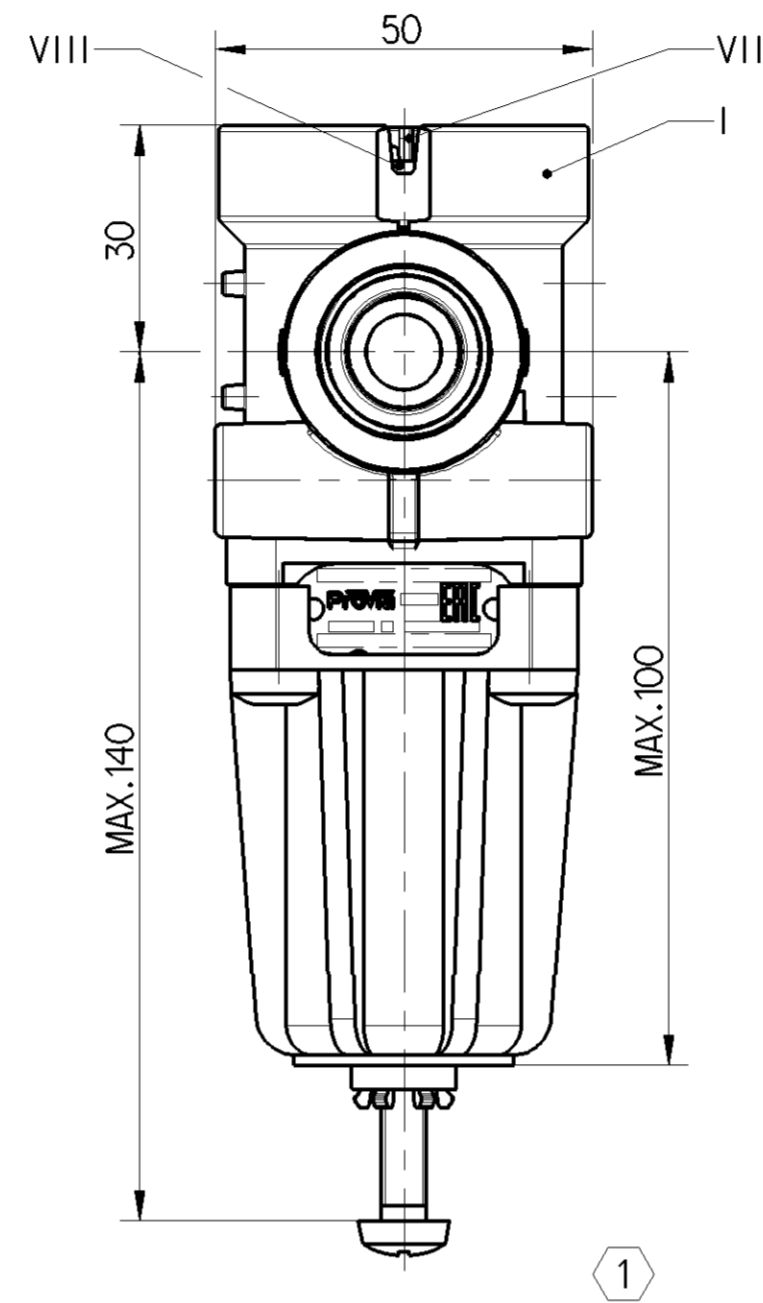
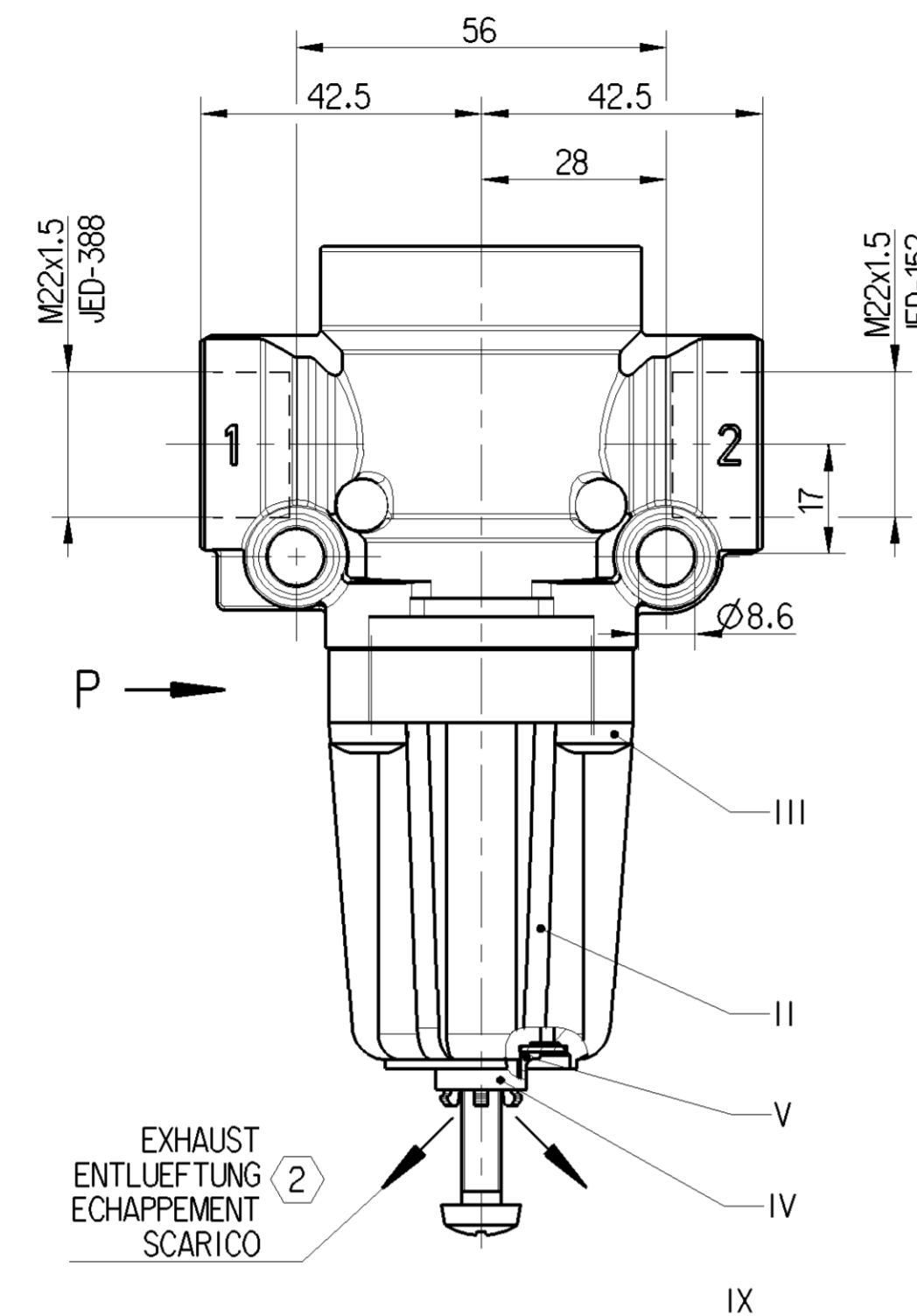


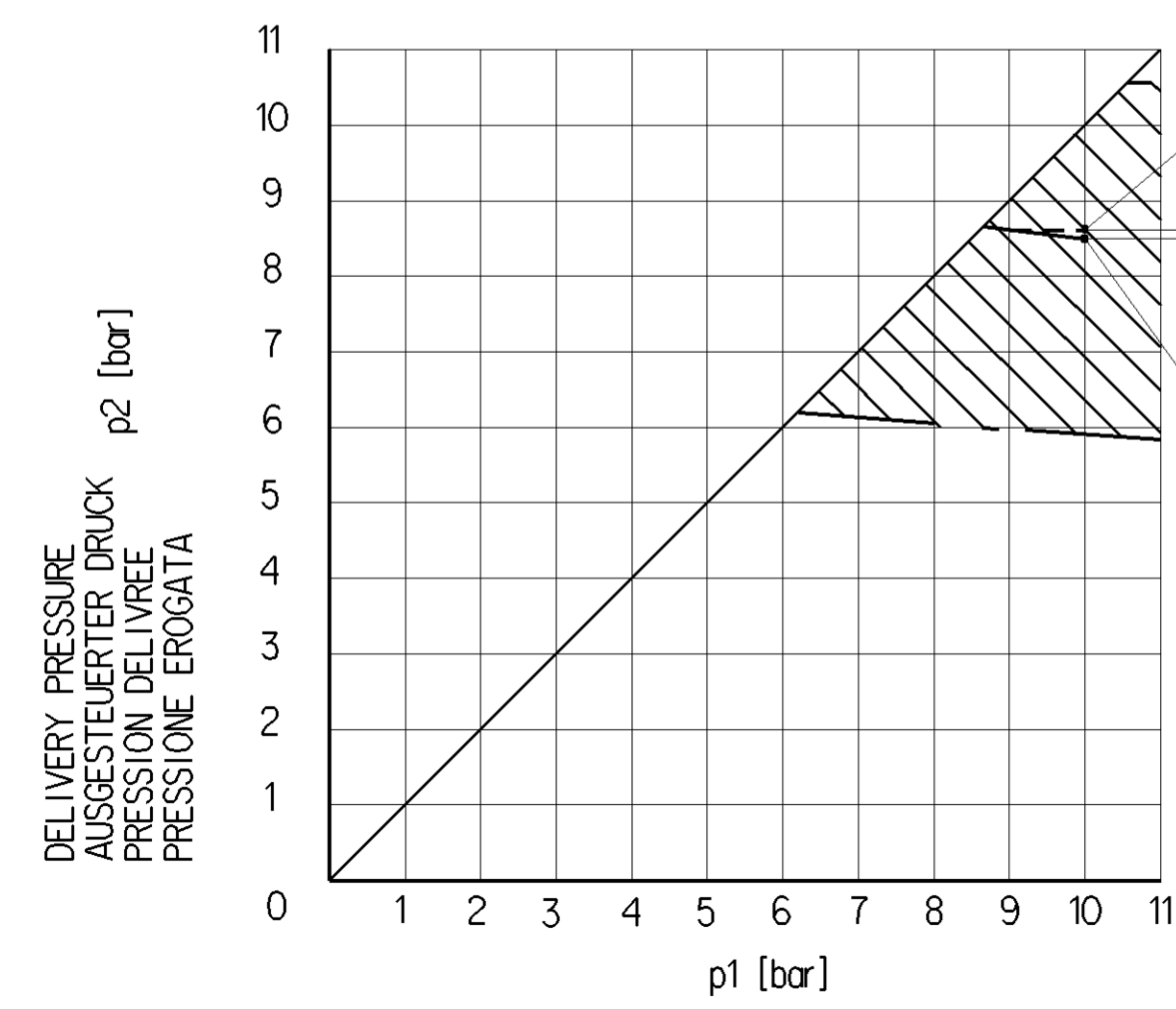
MATERIAL AND SURFACE PROTECTION	
I	JED-029 M1 / C JED-259-3
II	PBT-GF black JED-352-1
III	JED-051 M4 / JED-739-3
IV	POM black JED-005 M1
V	NBR JED-235
VI	AL JED-077 M1 / JED-007-1
VII	PET-GF black JED-357-1
VIII	Fe JED-048 M1 / phos. / JED-731-6
IX	JED-050-M1 / JED-739-3

WORKING PRESSURE BETRIEBSDRUCK PRESSION D'UTILISATION PRESSIONE DI ESERCIZIO	:	p_e max. = 20 bar
MEDIUM : AIR MEDIUM : LUFT FLUIDE : AIR FLUIDO : ARIA		
THERMAL RANGE OF APPLICATION THERMISCHER ANWENDUNGSBEREICH GAMME D'APPLICATION THERMIQUE CAMPO DI APPLICAZIONE TERMICA	:	-40° ... +80°C
NOMINAL DIAMETER NENNWEITE DIAMETRE NOMINAL DIAMETRO NOMINALE	SUPPLY : BELUEFTUNG : ALIMENTATION : ALIMENTAZIONE :	EXHAUST : ENTLUEFTUNG : ECHAPPMENT : SCARICO :
INSTALLATION POSITION AS DRAWN EINBAULAGE WIE GEZEICHNET POSITION D'INSTALLATION SUIVANT DESSIN POSIZIONE DI MONTAGGIO COME DISEGNATO	$\pm 45^\circ$	PROTECTED GESCHUETZT PROTEGES PROTETTI
1= INLET PRESSURE EINGESTEUERTER DRUCK PRESSION D'ALIMENTATION PRESSIONE DI ALIMENTAZIONE		
2= DELIVERY PRESSURE AUSGESTEUERTER DRUCK PRESSION DELIVREE PRESSIONE EROGATA		
TORQUE FOR CONNECTIONS ANZUGSMOMENT FUER EINSCHRAUBSTUTZEN COUPLE DE SERRAGE DES RACCORDS COPPIA DI SERRAGGIO DEI RACCORDI	:	M22x1.5: Mmax. = 53 Nm
RANGE OF ADJUSTMENT EINSTELLBEREICH GAMME DE REGLAGE CAMPO DI REGOLAZIONE		
ADJUSTMENT MARKED WITH PAINT EINSTELLUNG MIT LACK GEKENNZEICHNET AJUSTAGE MARQUE AVEC VERNIS REGOLAZIONE MARCATO CON VERNICE	①	
EXHAUST FREE FROM PAINT ENTLUEFTUNG FARBFREI ECHAPPMENT SANS PEINTURE SCARICO SENZA VERNICE	②	



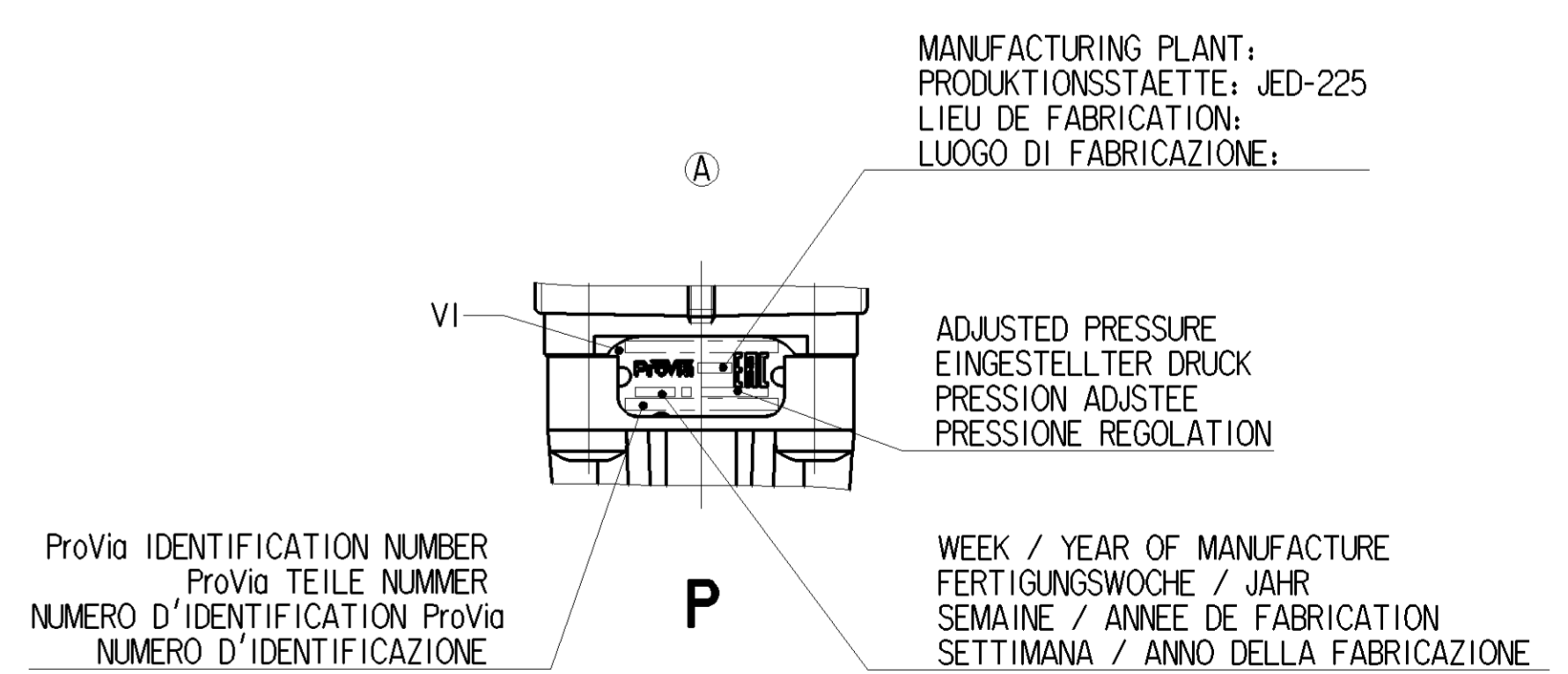
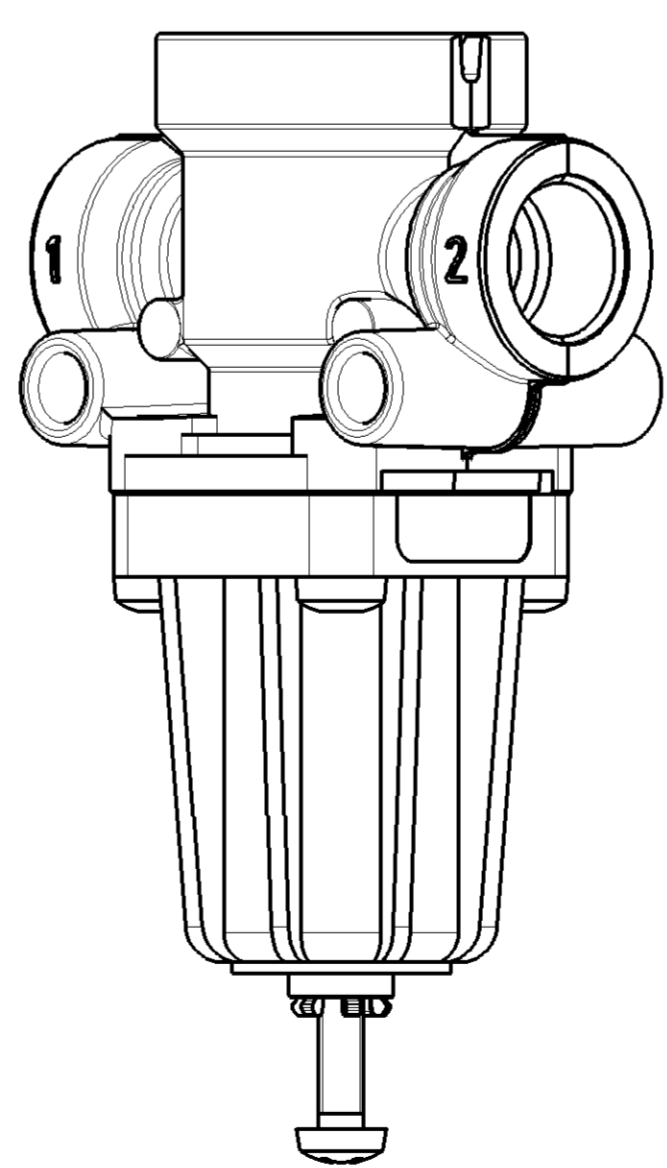
IT IS FORBIDDEN TO ASSEMBLE THE PLV IF IT IS UNDERGONE A SHOCK BEFORE
ES IST VERBOTEN DEN PLV ZU MONTIEREN, WENN ER ZUVOR AUF DEN BODEN GEFALLEN IST
IL EST INTERDIT D'ASSEMBLER UN PLV SI IL A SUBI UN CHOCK AUPARAVANT
E VIETATO DI CONGEGNARE UN PLV SE A SUBITO UN URTO PRIMA

Non è permesso copiare o riprodurre questo documento, né utilizzare il contenuto a fini di lucro, senza permesso scritto dalla WABCO. Tutti i diritti sono riservati. Toute réimpression ou utilisation non autorisée sans la permission écrite de la WABCO est formellement interdite. Toute utilisation non autorisée sera considérée comme une violation des droits de propriété intellectuelle. All rights reserved. No part of this document may be reproduced, stored in a retrieval system, or transmitted, in any form or by any means, electronic, mechanical, photocopying, recording, or by any information storage and retrieval system, without the prior written permission of WABCO.



PRESSURE LIMITATION BY FIRST DELIVERY
 DRUCKBEGRENZUNG BEIM ERSTEN AUFFUELLEN
 LIMITATION PENDANT UNE PREMIERE REMPLISSAGE
 LIMITAZIONE COL PRIMO RIEMPRIMENTO

PRESSURE LIMITATION AFTER CONSUMPTION
 DRUCKBEGRENZUNG NACH VERBRAUCH
 LIMITATION APRES CONSOMMATION
 LIMITAZIONE DOPO CONSUMO



10	8.5 +0 / -0.4	0.4	
①	②	③	RANGE OF ADJUSTMENT EINSTELLBEREICH GAMME DE REGLAGE CAMPO DI REGOLAZIONE
P1 [bar]	P2 [bar]	P3 MAX. [bar]	

PARAMETER	RESISTANCE TO -40°	RESISTANCE TO +110°	RESISTANCE TO +110°
PRESSURE LIMITATION DURING FIRST REFILLING	≤ 8.9	≤ 8.3	≤ 8.1
PRESSURE LIMITATION AFTER CONSUMPTION	8.5 -0.4	8.0 -0.4	8.0 -0.7

General Specification: JED-334-1, Size ISO 14405 LP	Copyright WABCO®	ProVia	
Further Technical Data:	Date: 2018-09-18	Signature: Aswinkumar	Checked: Vallarasu
Doc. Code: Sheet: To:	Class 1) 1) ≤ 50 2) > 50 < 180 3) > 180 < 400 4) > 400	Mass: 0.396 kg	Scale: 1:1
General Tolerances JED-261	Range of Nominal Dimensions (± mm)	Size: 177205	Revision: 1
Class 1) 1) ≤ 50 2) > 50 < 180 3) > 180 < 400 4) > 400	Medium X 1.0 2.0 3.0 4.0 ±3°	Material No.: PRO 010 300 0	Date of first issue: 2015-10-26
Coarse 2.0 3.5 5.0 6.5	Tappped Holes acc.	Doc. Code: 005 ML	Language: 1/1
1) Tolerance Class Applied Crossmarked	1) CREO	Techn. Resp.: 5160_AM	Replacement for: