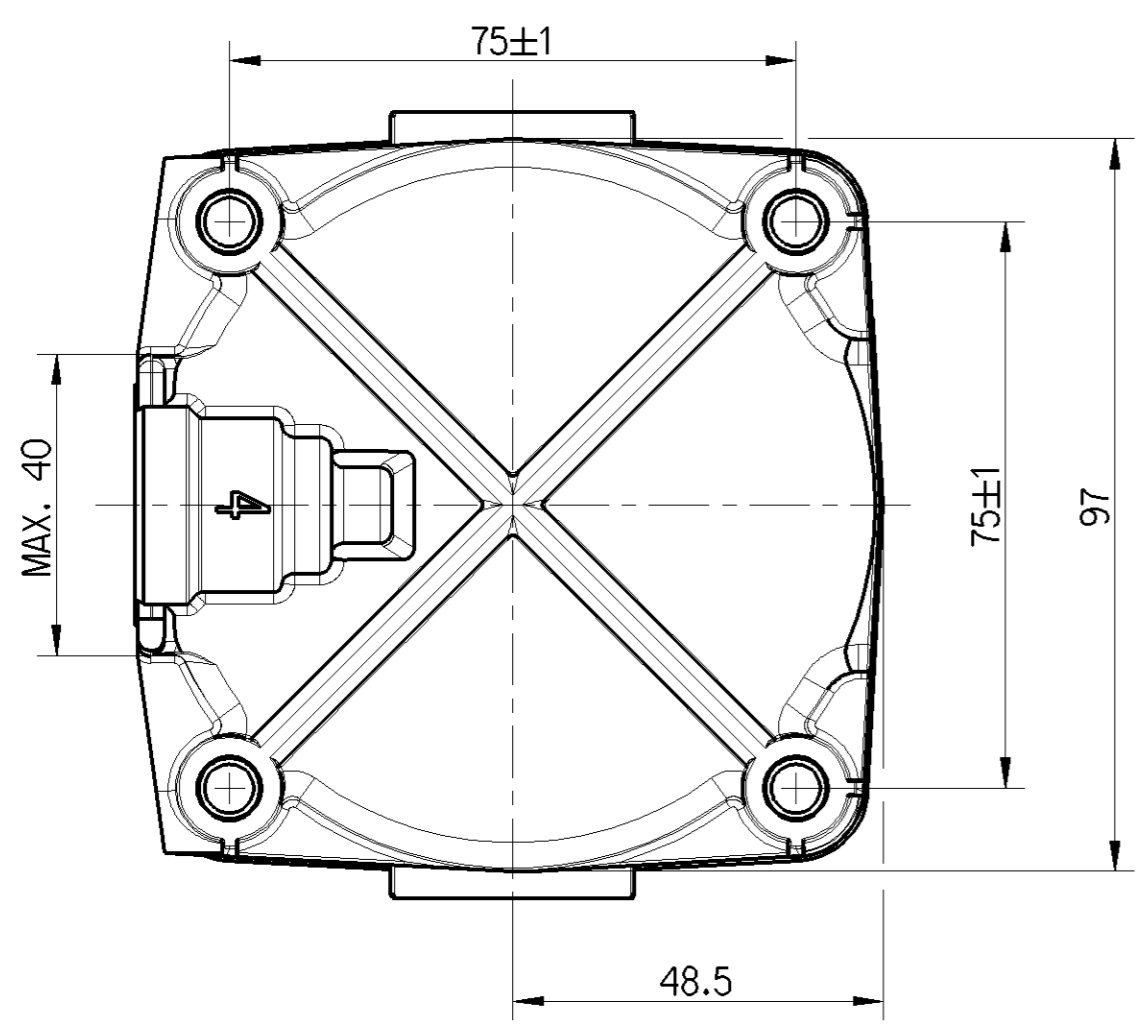
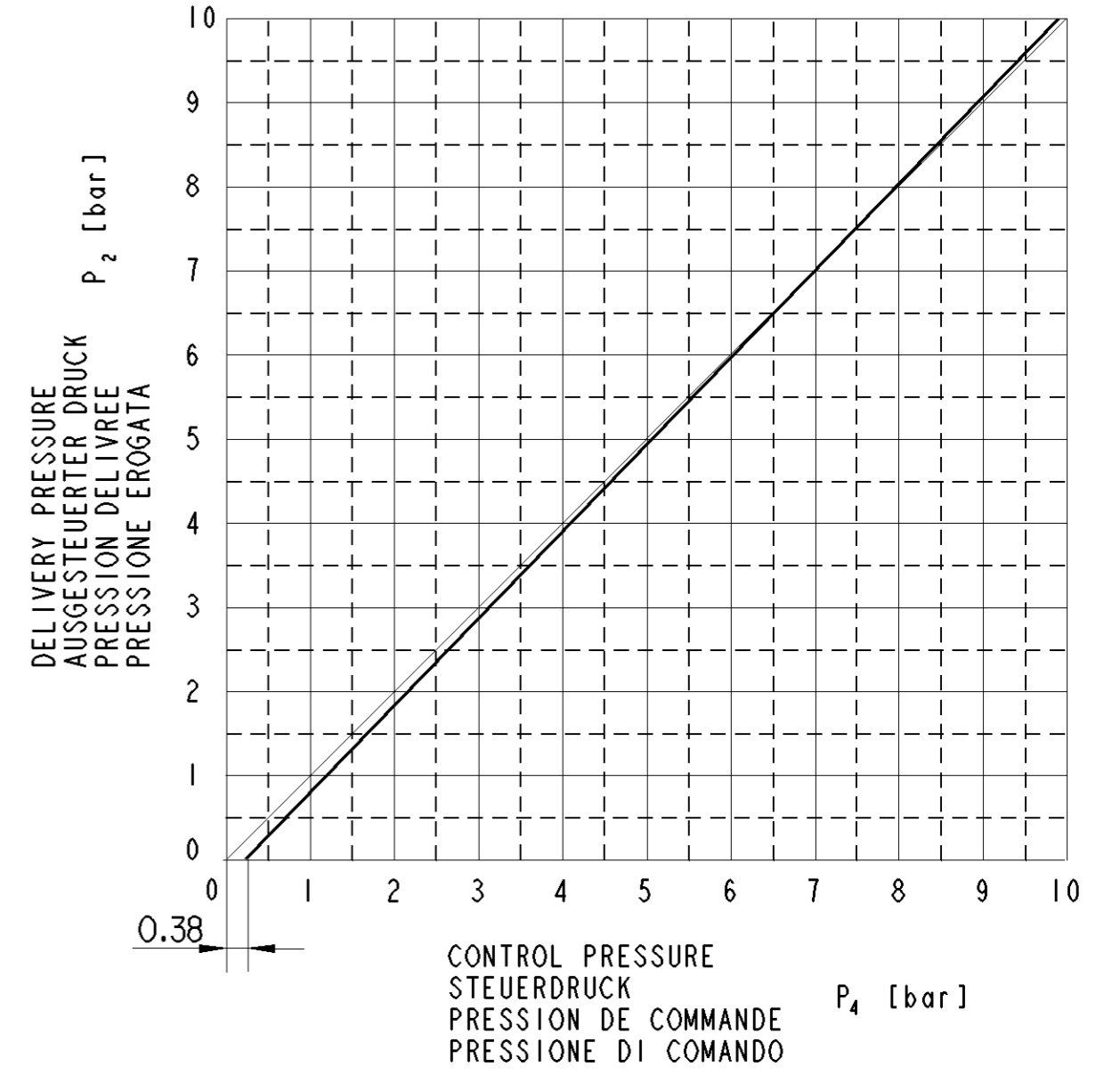
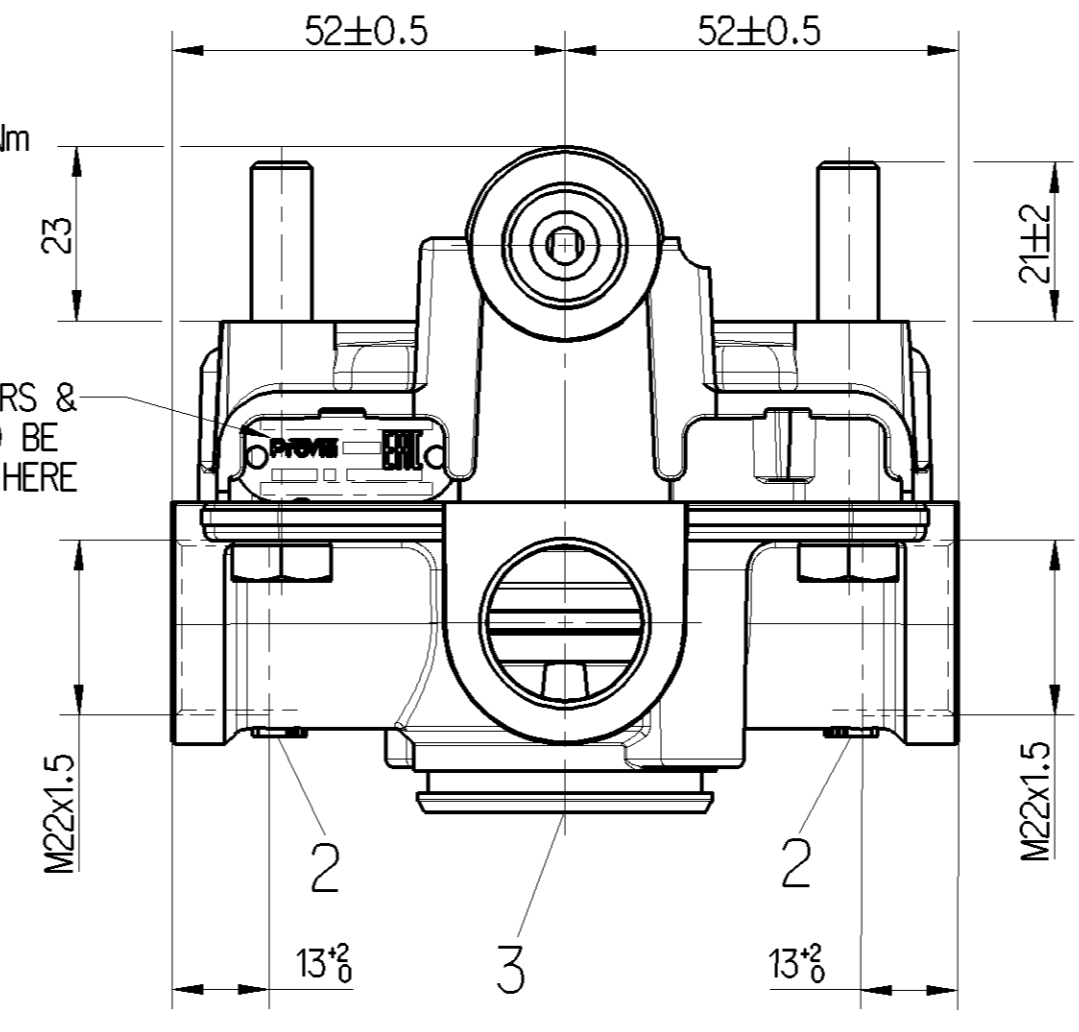


TORQUE:
ANZUGSMOMENT:
COUPLE DE SERRAGE:
COPPIA DI SERRAGGIO:
MAX. M=24Nm

ASSEMBLY PART NUMBERS & MANUFACTURE DATE TO BE SHOWN HERE



TORQUE FOR CONNECTIONS:
ANZUGSMOMENT FUER EINSCHRAUBSTUTZEN:
COUPLE DE SERRAGE DES RACCORDS:
COPPIA DI SERRAGGIO DEI RACCORDI:

M16x1.5 : M max. = 34 Nm
M22x1.5 : M max. = 53 Nm

TEMPORARILY:
KURZZEITIG: MAX. $p_e = 13$ bar
DE COURTE DUREE:
BREVE TEMPO SOLO:

SUPPLY PRESSURE:
VORRATSDRUCK: MAX. $p_e = 13$ bar
PRESSION D' ALIMENTATION:
PRESSIONE DI ALIMENTAZIONE:

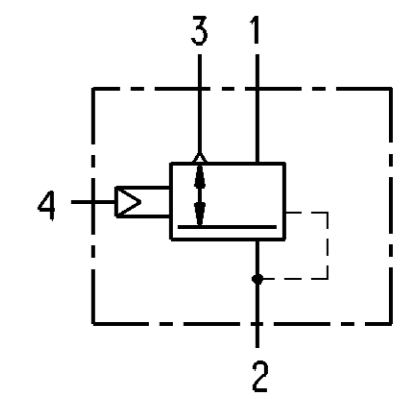
PERMISSIBLE INSTALLATION:
ZULAESSIGE EINBAULAGE: ± 90°
POSITION D' INSTALLATION ADMISE:
POSIZIONE DI MONTAGGIO AMMESSA:

MEDIUM : AIR
MEDIUM : LUFT
FLUIDE : AIR
FLUIDO : ARIA

WORKING PRESSURE:
BETRIEBSDRUCK: MAX. $p_e = 10$ bar
PRESSION DE SERVICE:
PRESSIONE D' ESERCIZIO:

THERMAL RANGE OF APPLICATION:
THERMISCHER ANWENDUNGSBEREICH:
GAMME D' APPLICATION THERMIQUE:
CAMPO DI APPLICAZIONE TERMICA: -40° . . . +80° C

- 1 SUPPLY
VORRAT
ALIMENTATION
ALIMENTAZIONE
- 2 DELIVERY PRESSURE
AUSGESTEUERTER DRUCK
PRESSION DELIVREE
PRESSIONE EROGATA
- 3 EXHAUST
ENTLUEFTUNG
ECHAPPEMENT
SCARICO
- 4 CONTROL PRESSURE
STEUERDRUCK
PRESSION DE COMMANDE
PRESSIONE DI COMANDO



General Specification: JED-334-1, Size ISO 14405 LP		Copyright WABCO®		RELAY VALVE RELAISVENTIL VALVE RELAIS VALVOLA RELE	
Further Technical Data: PRO 011 004 0		Date	Signature	Date of first issue: 2015-06-05	
Doc. Code: 035	Sheet: 1 To 10	2018-09-20	MALLARASU M.P.	Doc.Code	Language
General Tolerances JED-261		2018-09-21	Aswinkumar	005	ML
Range of Nominal Dimensions (± mm)		Expert		Sheet	
Class	1)	≤ 50	> 50 ≤ 180	> 180 ≤ 400	> 400
Fine		0.5	1.0	1.5	2.0
Medium	×	1.0	2.0	3.0	4.0
Coarse		2.0	3.5	5.0	6.5
Tapped Holes acc. JED-152		K P.NAGARAJAN		Replacement for	
1) Tolerance Class Applied Crossmarked		Mass	Scale	Material No.	
		0.59	1:1	PRO 011 005 0	
		Size	CAD System	ECN-No.	Revision
		A 2	CREO	177205	1
				Techn. Resp.	5220_AM

Non e permesso copiare, o terzi o riprodurre questo documento, ne utilizzare il contenuto o renderlo comunque noto a terzi senza autorizzazione esplicita. Ogni infrazione costituisce un evidente abuso e comportera il risarcimento dei danni subiti. E' fatta riserva di tutti i diritti derivanti da brevetti o modelli.
 Coping of this document and giving it to others and the use or communication of the contents thereof, are forbidden without express authority. Contention of this restriction will constitute an evident abuse and result in a liability to the payment of damages. All rights are reserved in the event of the grant of patent or registration of a utility model or design. This document is the subject of copyright.
 Toute communication ou reproduction de ce document, toute exploitation ou communication de son contenu sont interdites, sauf autorisation expresse. Tout manquement a cette regle constitue un abus evident et expose son auteur au versement de dommages et interets. Tous droits de proprieete industrielle reserves, notamment en matiere de brevets et de modes.
 Weitergabe sowie Vervielfaltigung dieser Unterlagen, Verleihen und Mitteilen ihres Inhalts nicht gestattet, soweit nicht ausdreslich ansonsten, weitergegeben, zu verwenden, stellen eine offensichtliche Missbrauch dar und verpflichten zu Schadenersatz. Alle Rechte hier den Fall der Patentierung oder Gebrauchsmuster-Eintragung vorbehalten.

Version: B-4 / state: Under Review / mdf: PRO011005_002
 dnr: PRO011005_002