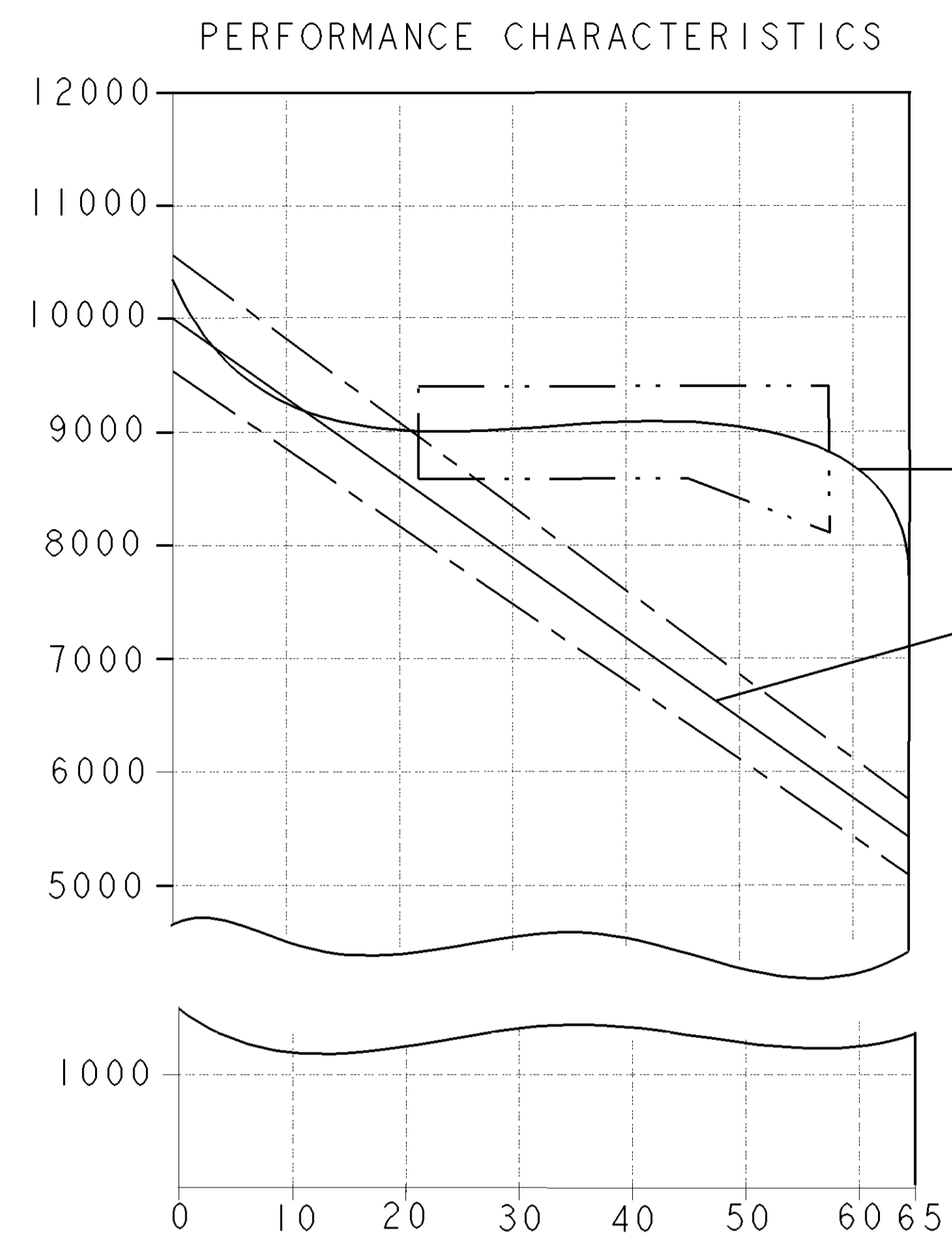


SURFACE PROTECT. OBERFL. SCHUTZ	
I	POWDER COATING JED-240-7
II	Zn JED-256-5
III	PHOSPHATING & OILING JED-371
IV	AL. JED-259
V	RUBBER / PLASTIC
TECHNICAL DATA TECHNISCHE DATEN	

FORCE : N
KRAFT : N
FORZA : N



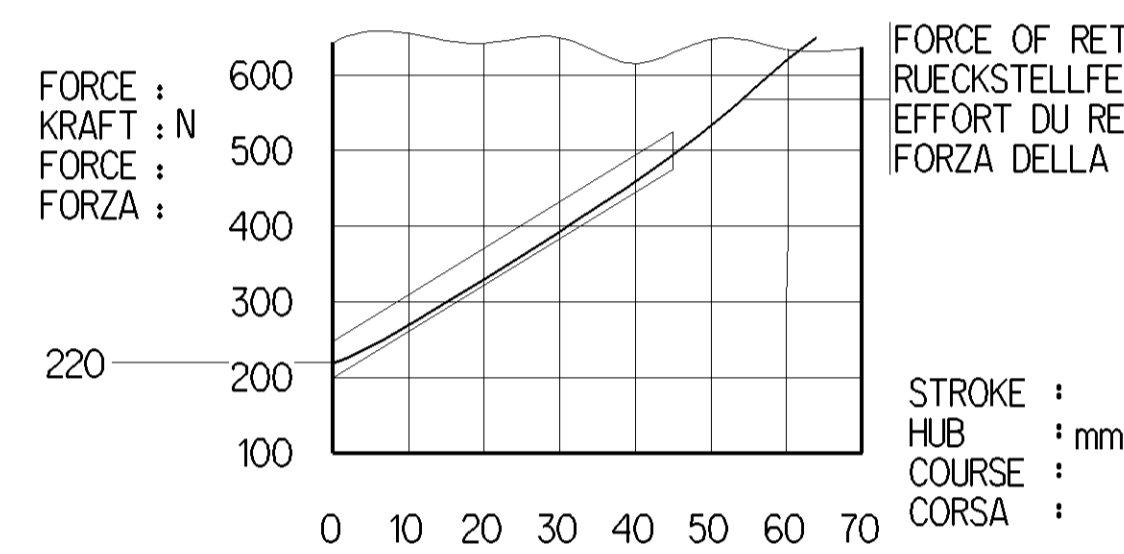
AIR VOLUME OF SERVICE BRAKE PART AT 2/3 OF ITS STROKE
HUBVOLUMEN DES BETRIEBSBREMSTEILES BEI 2/3 HUB
VOLUME D'AIR DU DISPOSITIF DU FREIN DE SERVICE A 2/3 DE LA COURSE
VOLUME D'ARIA DELLA SEZIONE DI FRENO DI SERVIZIO A 2/3 DELLA CORSA : ca. 0.80x10³ cm³

AIR VOLUME OF SPRING BRAKE PART
HUBVOLUMEN DES FEDERSPEICHERS
VOLUME D'AIR DU DISPOSITIF RESSORT
VOLUME D'ARIA DELLA SEZIONE A MOLLA : ca. 1.675x10³ cm³

OUTPUT FORCE OF SERVICE BRAKE PART AT 2/3 OF ITS STROKE
KRAFTABGABE DES BETRIEBSBREMSTEILES BEI 2/3 HUB
EFFORT DE POUSSEE DU DISPOSITIF DU FREIN DE SERVICE SOUS 2/3 DE LA COURSE
FORZA DI SPINTA DELLA SEZIONE DI FRENO DI SERVIZIO PER 2/3 DELLA CORSA : 6.5 bar

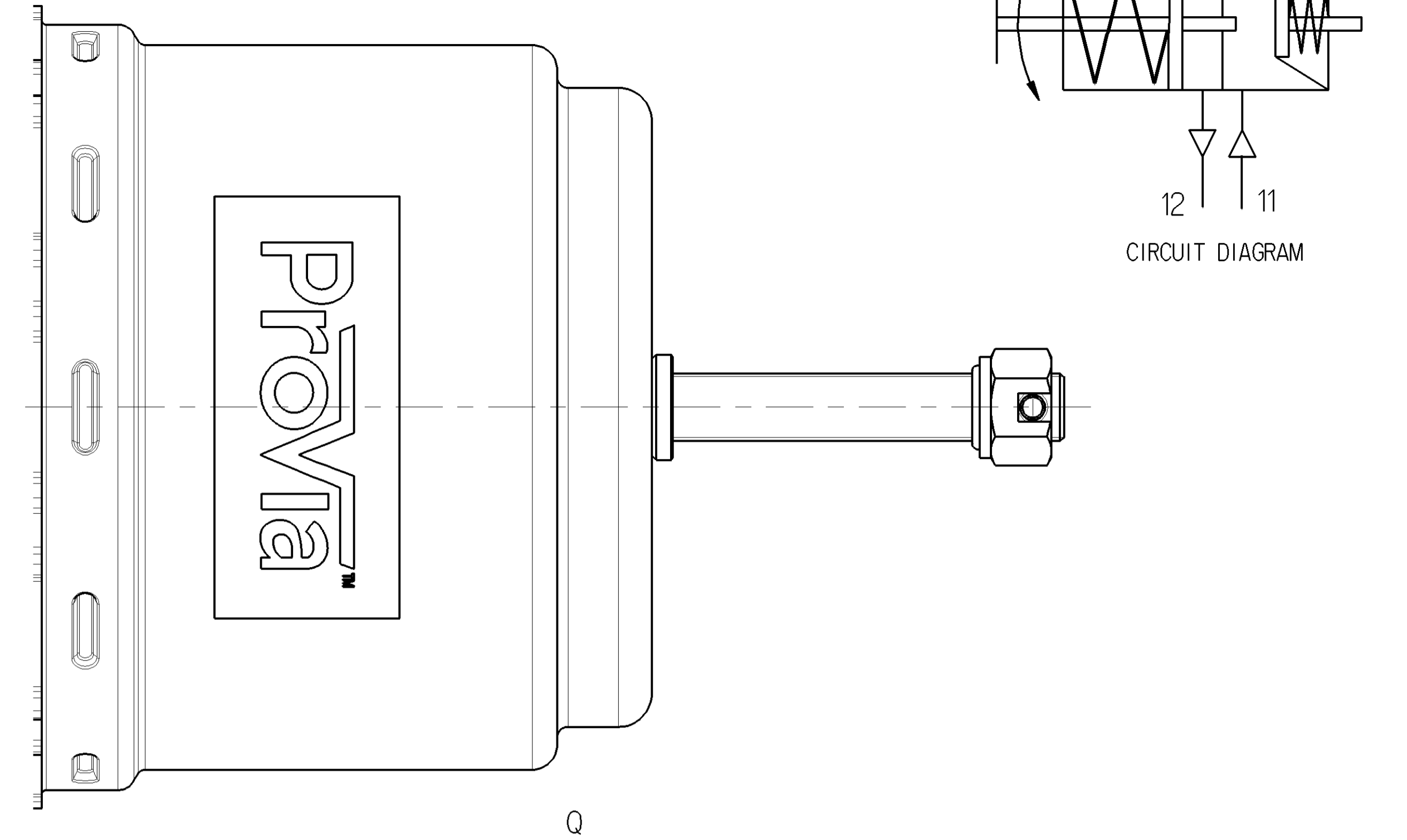
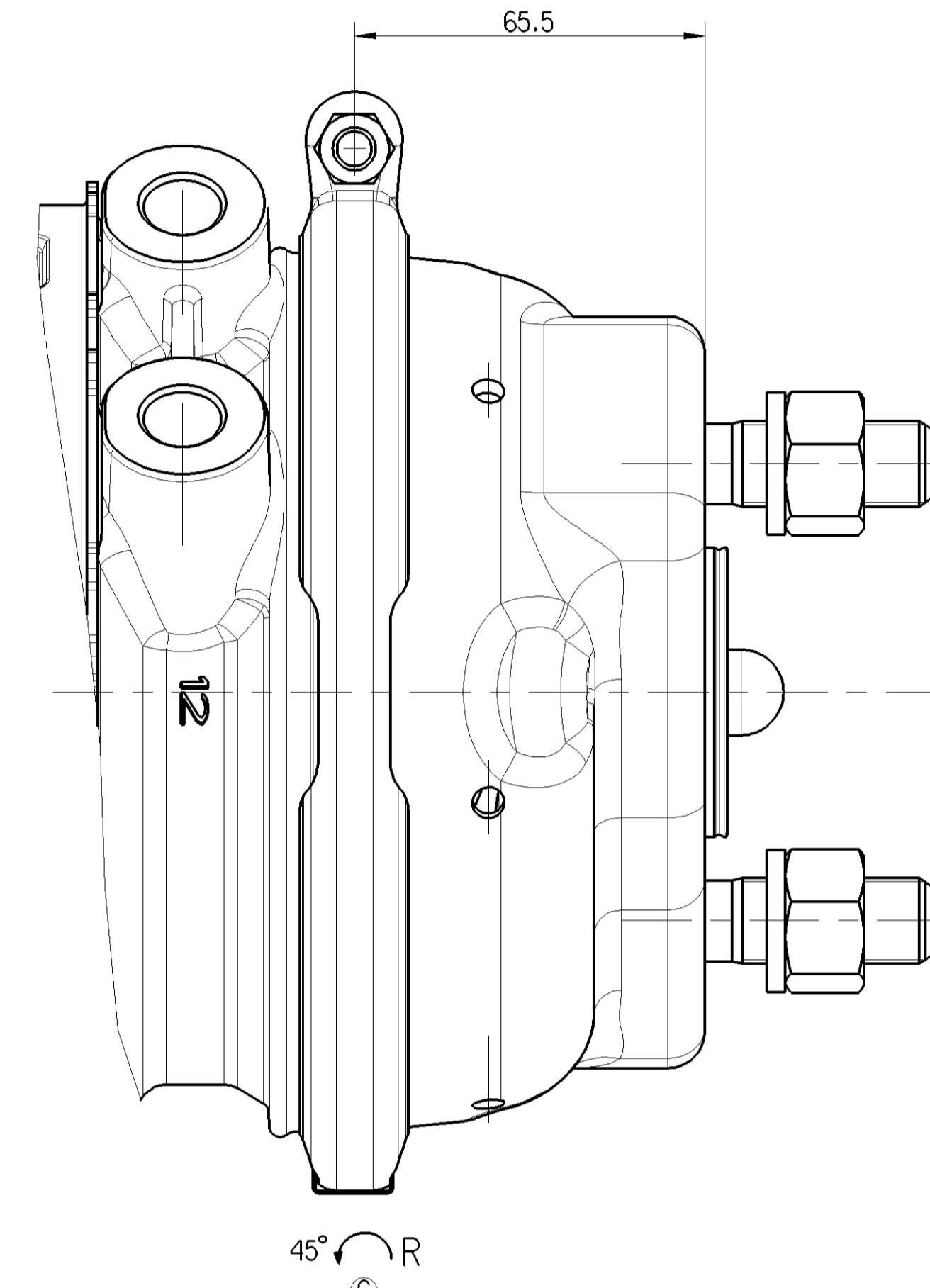
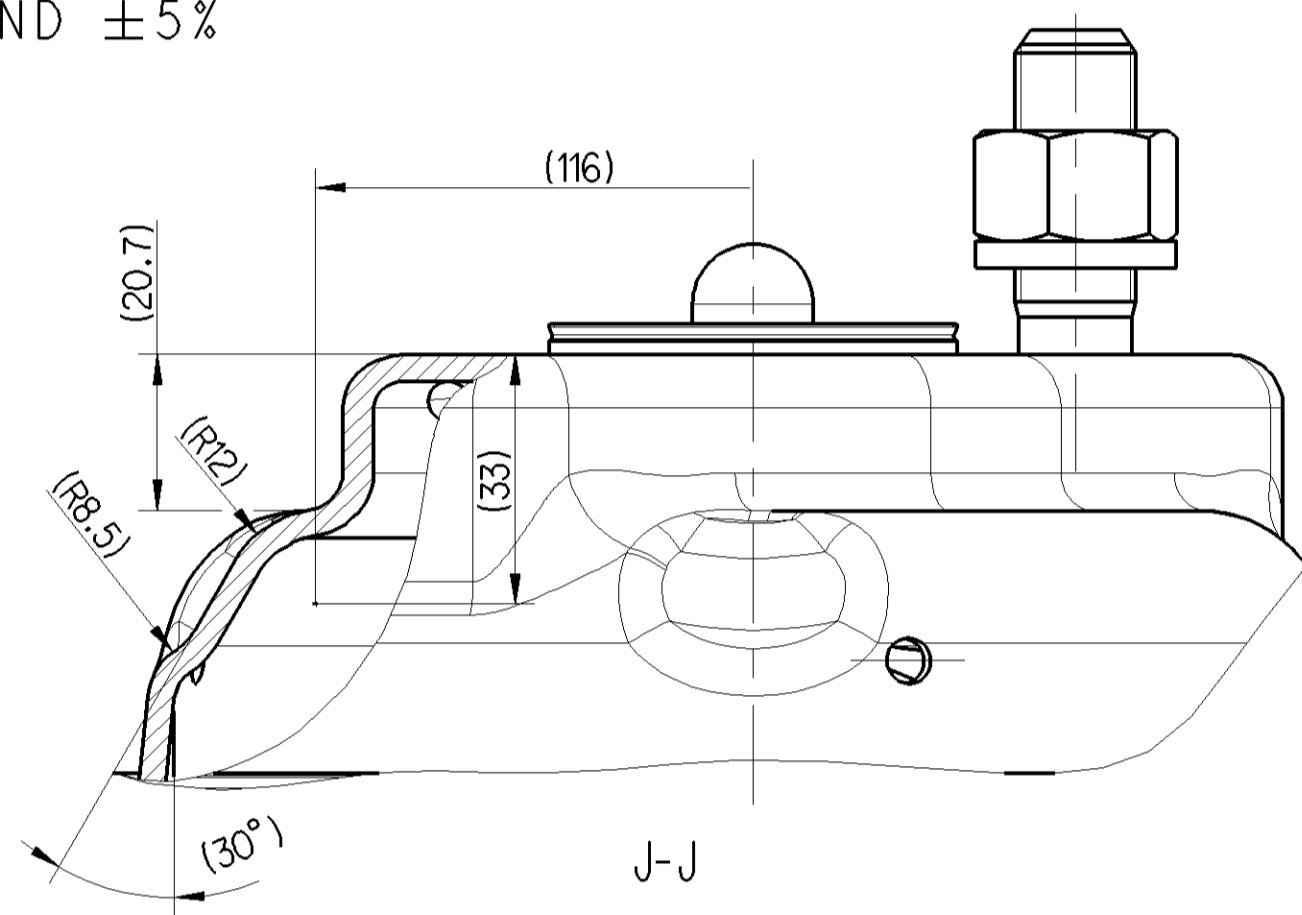
OUTPUT FORCE OF SPRING BRAKE PART, RELEASE PRESSURE
KRAFTABGABE DES FEDERSPEICHERS, LOESEDRUCK
EFFORT DE PUSSEE DU DISPOSITIF RESSORT, PRESSION DE DESSERRAGE
FORZA DI SPINTA DELLA SEZIONE A MOLLA, PRESSIONE DI RILASCIO : 4.9±0.4 bar

NOMINAL VALUES GIVEN FOR SERVICE SIDE , TOLERANCE BAND AS PER DIN 74060-3
NOMINAL VALUES GIVEN FOR SPRING SIDE , TOLERANCE BAND ±5%

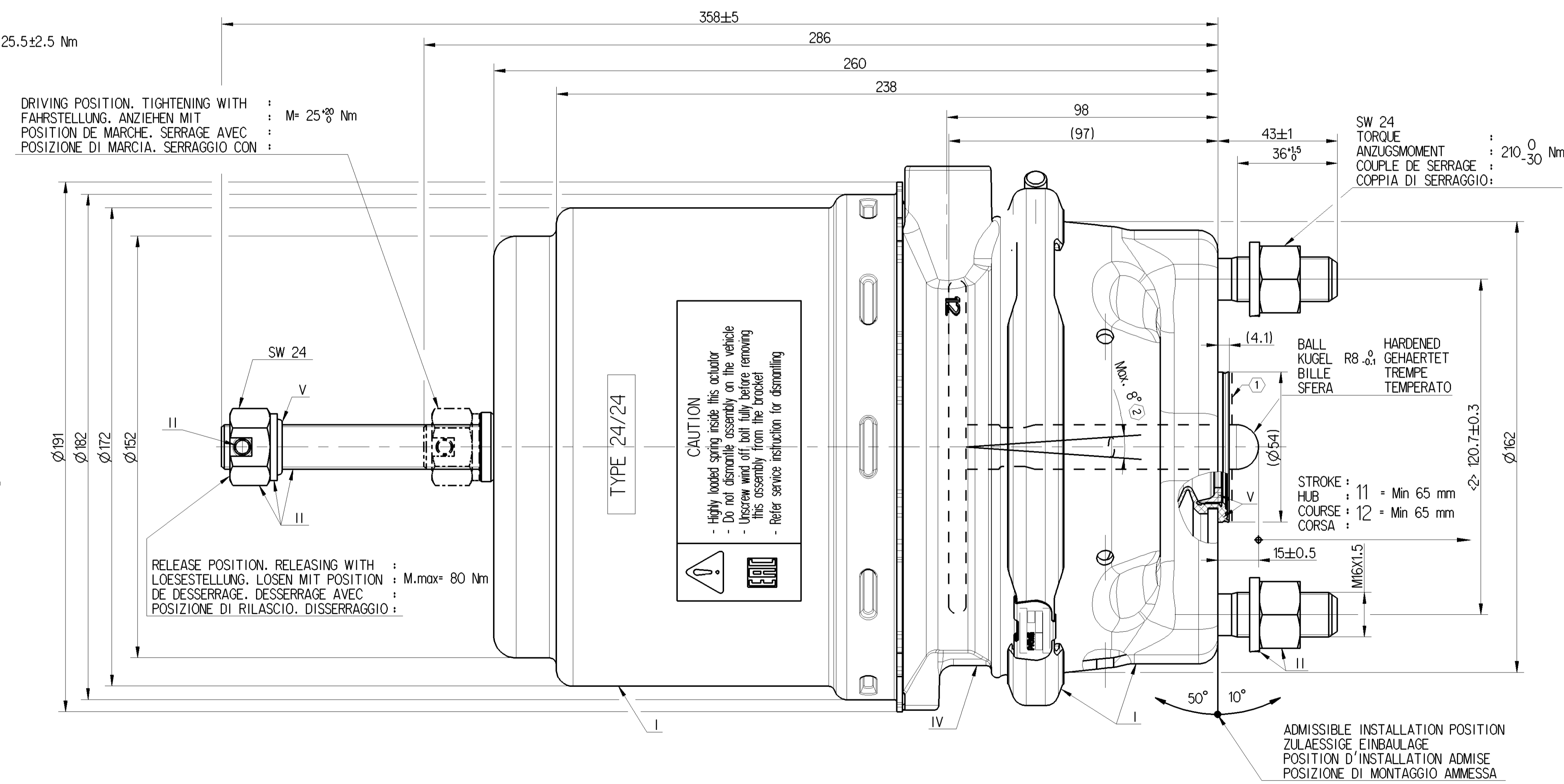
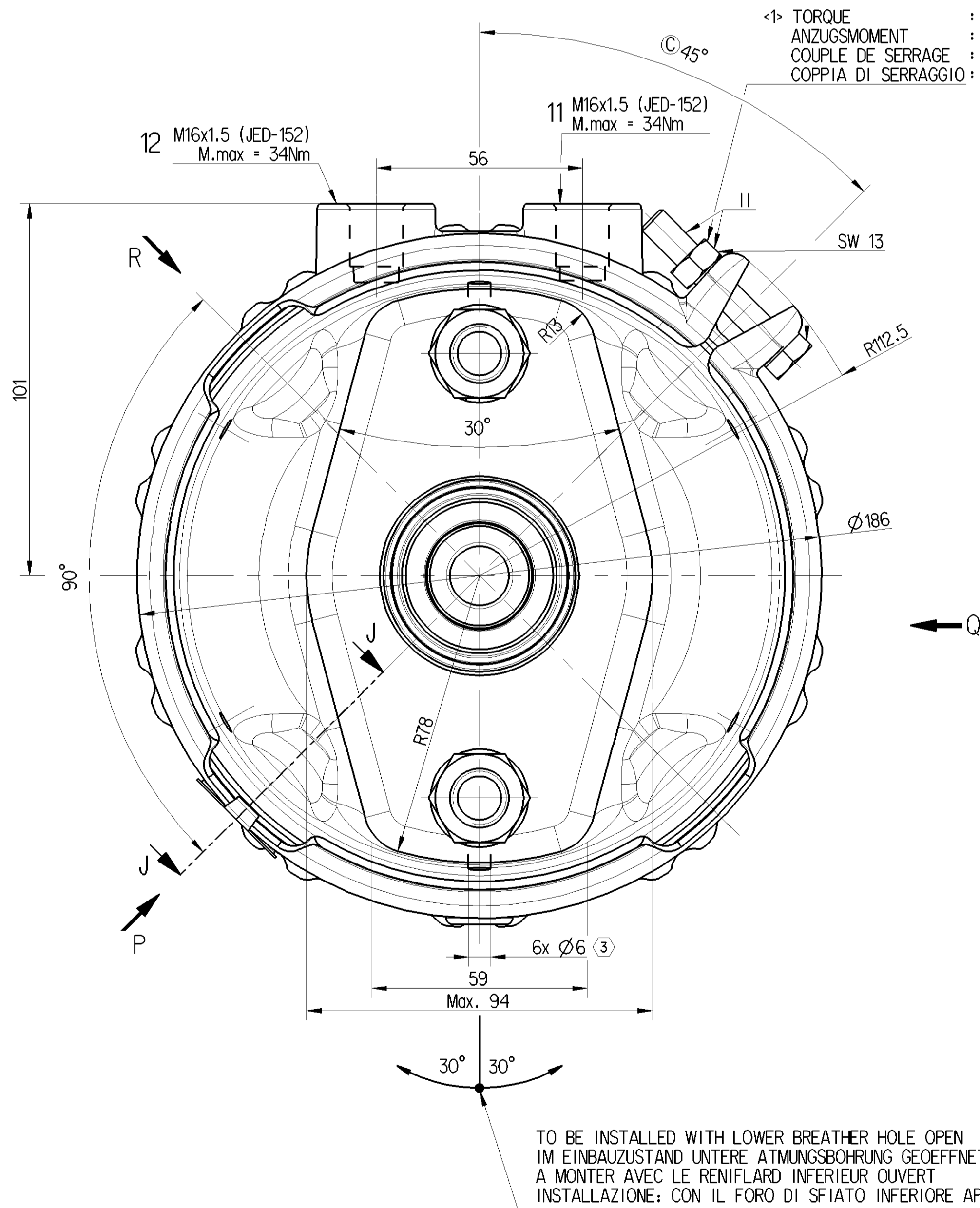


FORCE OF RETURN SPRING OF SERVICE BRAKE PART
RUECKSTELLFEDERKRAFT DES BETRIEBSBREMSTEILES
EFFORT DU RESSORT DE RAPPEL DU DISPOSITIF DU FREIN DE SERVICE
FORZA DELLA MOLLA DI RITORNO DELLA SEZIONE DI FRENO DI SERVIZIO

STROKE : mm
HUB : mm
COURSE : mm
CORSA : mm



MEDIUM : AIR MEDIUM : LUFT FLUIDE : AIR FLUIDO : ARIA
NOMINAL DIAMETER : NENNWEITE : MIN Ø8.5 DIAMETRE NOMINAL : DIAMETRO NOMINALE :
WIDTH ACROSS FLATS SW SCHLUESSELWEITE SURPLATS LARGHEZZA IN CHIAVE
THERMAL RANGE OF APPLICATION : THERMISCHER ANWENDUNGSBEREICH : -40°C...+80°C GAMME D'APPLICATION THERMIQUE : CAMPO TERMICO D'APPLICAZIONE :
PORT : SERVICE BRAKING SYSTEM, WORKING PRESSURE : Pe max. = 10 bar ANSCHLUSS : 11 BETRIEBSBREMSANLAGE, BETRIEBSDRUCK : ORIFICE : DISPOSITIF DE FREINAGE DE SERVICE, PRESSION D'UTILISATION : ORIFIZIO : DISPOSITIVO DI FRENATURA DI SERVIZIO, PRESSIONE DI ESERCIZIO :
(TEMPORARILY) (KURZZEITIG) : Pe max. = 13 bar (DE COURTE DUREE) (BREVE TEMPO SOLO) :
PORT : SPRING BRAKE CYLINDER, WORKING PRESSURE : Pe max. = 8.5 bar ANSCHLUSS : 12 FEDERSPEICHERZYLINDER, BETRIEBSDRUCK : ORIFICE : CYLINDRE A RESSORT, PRESSION D'UTILISATION : ORIFIZIO : CILINDRO A MOLLA, PRESSIONE DI ESERCIZIO :
(TEMPORARILY) (KURZZEITIG) : Pe max. = 11 bar (DE COURTE DUREE) (BREVE TEMPO SOLO) :
SEALING SURFACE DICHTFLAECHE SURFACE D'ETANCHETTE SUPERFICI DI TENUTA
DEFLECTION : max. 8° AT STROKE AUSLENKUNG : max. 8° BEI HUB DEFLEXION : max. 8° A COURSE DEVIATIONE : max. 8° A CORSA
OPEN BREATHER HOLE OFFEN ATMUNGSBOHRUNG OUVERT TROU RENIFLEUR APERTO FORO RESPIRATORE
UNIT DRAWN WITH AIR APPLIED AT PORT 12 EINHEIT MIT LUFT APPLIED AT PORT GEZEICHNET 12 UNIDADE DESENHADO COM ARI APPLICADA NA PORTA 12 UNITA' DISEGNATA CON ARIA APPLICATO A PORTA 12
DELIVERY POSITION : RELEASE POSITION ANLIEFERUNG : LOESESTELLUNG LIVRAISON : POSITION DE DESSERRAGE FORNITURA : POSIZIONE DI RILASCIO
DRIVING POSITION : FAHRSTELLUNG POSITION DE MARCHÉ POSIZIONE DI MARCIA



ProVia IDENTIFICATION NUMBER
ProVia TEILE NUMBER
NUMERO D' IDENTIFICATION ProVia
NUMERO D' IDENTIFICAZIONE

WEEK / YEAR OF MANUFACTURE
FERTIGUNGSWOCHE/JAHR
SEMAINE/ANNEE DE FABRICATION
SETTIMANA/ANNO DELLA FABBRICAZIONE

MANUFACTURING PLANT
PRODUKT IONSSTAETTE; JED- 225
LIEU DE FABRICATION
LUOGO DI FABBRICAZIONE

SAFETY CHARACTERISTICS
SICHERHEITSMERKMALE
CARACTERISTIQUES DE SECURITE
CARATTERISTICHE DI SICUREZZA

SIGNIFICANT CHARACTERISTICS
WESENTLICHE MERKMALE
CARACTERISTIQUES SIGNIFIANTES
CARATTERISTICHE SIGNIFICATIVE

General Specifications JED-334-1, Size ISO 14402 LP	Design 461101	ProVia
Further Technical Data PRO 461 101 G	Date System	2017-10-17
Doc. Code: 035	Order No.	2017-10-17
General Tolerances: ISO 2011	Drawn	Saravanan
Range of Nominal Dimensions (± mm)	Checked	Aswathkar
Class 1 : 0.5 ± 0.10 ± 0.15 ± 0.20 ± 0.30 ± 0.40 ± 0.50 ± 0.60 ± 0.80 ± 1.00 ± 1.50 ± 2.00 ± 3.00 ± 4.00 ± 5.00 ± 6.30 ± 8.00 ± 10.00 ± 15.00 ± 20.00 ± 30.00 ± 40.00 ± 50.00 ± 63.00 ± 80.00 ± 100.00 ± 150.00 ± 200.00 ± 300.00 ± 400.00 ± 500.00 ± 630.00 ± 800.00 ± 1000.00 ± 1500.00 ± 2000.00 ± 3000.00 ± 4000.00 ± 5000.00 ± 6300.00 ± 8000.00 ± 10000.00	Level	Sursh
Class 2 : 0.5 ± 0.10 ± 0.15 ± 0.20 ± 0.30 ± 0.40 ± 0.50 ± 0.60 ± 0.80 ± 1.00 ± 1.50 ± 2.00 ± 3.00 ± 4.00 ± 5.00 ± 6.30 ± 8.00 ± 10.00 ± 15.00 ± 20.00 ± 30.00 ± 40.00 ± 50.00 ± 63.00 ± 80.00 ± 100.00 ± 150.00 ± 200.00 ± 300.00 ± 400.00 ± 500.00 ± 630.00 ± 800.00 ± 1000.00 ± 1500.00 ± 2000.00 ± 3000.00 ± 4000.00 ± 5000.00 ± 6300.00 ± 8000.00 ± 10000.00	Level	Sursh
Class 3 : 0.5 ± 0.10 ± 0.15 ± 0.20 ± 0.30 ± 0.40 ± 0.50 ± 0.60 ± 0.80 ± 1.00 ± 1.50 ± 2.00 ± 3.00 ± 4.00 ± 5.00 ± 6.30 ± 8.00 ± 10.00 ± 15.00 ± 20.00 ± 30.00 ± 40.00 ± 50.00 ± 63.00 ± 80.00 ± 100.00 ± 150.00 ± 200.00 ± 300.00 ± 400.00 ± 500.00 ± 630.00 ± 800.00 ± 1000.00 ± 1500.00 ± 2000.00 ± 3000.00 ± 4000.00 ± 5000.00 ± 6300.00 ± 8000.00 ± 10000.00	Level	Sursh
Class 4 : 0.5 ± 0.10 ± 0.15 ± 0.20 ± 0.30 ± 0.40 ± 0.50 ± 0.60 ± 0.80 ± 1.00 ± 1.50 ± 2.00 ± 3.00 ± 4.00 ± 5.00 ± 6.30 ± 8.00 ± 10.00 ± 15.00 ± 20.00 ± 30.00 ± 40.00 ± 50.00 ± 63.00 ± 80.00 ± 100.00 ± 150.00 ± 200.00 ± 300.00 ± 400.00 ± 500.00 ± 630.00 ± 800.00 ± 1000.00 ± 1500.00 ± 2000.00 ± 3000.00 ± 4000.00 ± 5000.00 ± 6300.00 ± 8000.00 ± 10000.00	Level	Sursh
Class 5 : 0.5 ± 0.10 ± 0.15 ± 0.20 ± 0.30 ± 0.40 ± 0.50 ± 0.60 ± 0.80 ± 1.00 ± 1.50 ± 2.00 ± 3.00 ± 4.00 ± 5.00 ± 6.30 ± 8.00 ± 10.00 ± 15.00 ± 20.00 ± 30.00 ± 40.00 ± 50.00 ± 63.00 ± 80.00 ± 100.00 ± 150.00 ± 200.00 ± 300.00 ± 400.00 ± 500.00 ± 630.00 ± 800.00 ± 1000.00 ± 1500.00 ± 2000.00 ± 3000.00 ± 4000.00 ± 5000.00 ± 6300.00 ± 8000.00 ± 10000.00	Level	Sursh
Class 6 : 0.5 ± 0.10 ± 0.15 ± 0.20 ± 0.30 ± 0.40 ± 0.50 ± 0.60 ± 0.80 ± 1.00 ± 1.50 ± 2.00 ± 3.00 ± 4.00 ± 5.00 ± 6.30 ± 8.00 ± 10.00 ± 15.00 ± 20.00 ± 30.00 ± 40.00 ± 50.00 ± 63.00 ± 80.00 ± 100.00 ± 150.00 ± 200.00 ± 300.00 ± 400.00 ± 500.00 ± 630.00 ± 800.00 ± 1000.00 ± 1500.00 ± 2000.00 ± 3000.00 ± 4000.00 ± 5000.00 ± 6300.00 ± 8000.00 ± 10000.00	Level	Sursh
Class 7 : 0.5 ± 0.10 ± 0.15 ± 0.20 ± 0.30 ± 0.40 ± 0.50 ± 0.60 ± 0.80 ± 1.00 ± 1.50 ± 2.00 ± 3.00 ± 4.00 ± 5.00 ± 6.30 ± 8.00 ± 10.00 ± 15.00 ± 20.00 ± 30.00 ± 40.00 ± 50.00 ± 63.00 ± 80.00 ± 100.00 ± 150.00 ± 200.00 ± 300.00 ± 400.00 ± 500.00 ± 630.00 ± 800.00 ± 1000.00 ± 1500.00 ± 2000.00 ± 3000.00 ± 4000.00 ± 5000.00 ± 6300.00 ± 8000.00 ± 10000.00	Level	Sursh
Class 8 : 0.5 ± 0.10 ± 0.15 ± 0.20 ± 0.30 ± 0.40 ± 0.50 ± 0.60 ± 0.80 ± 1.00 ± 1.50 ± 2.00 ± 3.00 ± 4.00 ± 5.00 ± 6.30 ± 8.00 ± 10.00 ± 15.00 ± 20.00 ± 30.00 ± 40.00 ± 50.00 ± 63.00 ± 80.00 ± 100.00 ± 150.00 ± 200.00 ± 300.00 ± 400.00 ± 500.00 ± 630.00 ± 800.00 ± 1000.00 ± 1500.00 ± 2000.00 ± 3000.00 ± 4000.00 ± 5000.00 ± 6300.00 ± 8000.00 ± 10000.00	Level	Sursh
Class 9 : 0.5 ± 0.10 ± 0.15 ± 0.20 ± 0.30 ± 0.40 ± 0.50 ± 0.60 ± 0.80 ± 1.00 ± 1.50 ± 2.00 ± 3.00 ± 4.00 ± 5.00 ± 6.30 ± 8.00 ± 10.00 ± 15.00 ± 20.00 ± 30.00 ± 40.00 ± 50.00 ± 63.00 ± 80.00 ± 100.00 ± 150.00 ± 200.00 ± 300.00 ± 400.00 ± 500.00 ± 630.00 ± 800.00 ± 1000.00 ± 1500.00 ± 2000.00 ± 3000.00 ± 4000.00 ± 5000.00 ± 6300.00 ± 8000.00 ± 10000.00	Level	Sursh
Class 10 : 0.5 ± 0.10 ± 0.15 ± 0.20 ± 0.30 ± 0.40 ± 0.50 ± 0.60 ± 0.80 ± 1.00 ± 1.50 ± 2.00 ± 3.00 ± 4.00 ± 5.00 ± 6.30 ± 8.00 ± 10.00 ± 15.00 ± 20.00 ± 30.00 ± 40.00 ± 50.00 ± 63.00 ± 80.00 ± 100.00 ± 150.00 ± 200.00 ± 300.00 ± 400.00 ± 500.00 ± 630.00 ± 800.00 ± 1000.00 ± 1500.00 ± 2000.00 ± 3000.00 ± 4000.00 ± 5000.00 ± 6300.00 ± 8000.00 ± 10000.00	Level	Sursh
Class 11 : 0.5 ± 0.10 ± 0.15 ± 0.20 ± 0.30 ± 0.40 ± 0.50 ± 0.60 ± 0.80 ± 1.00 ± 1.50 ± 2.00 ± 3.00 ± 4.00 ± 5.00 ± 6.30 ± 8.00 ± 10.00 ± 15.00 ± 20.00 ± 30.00 ± 40.00 ± 50.00 ± 63.00 ± 80.00 ± 100.00 ± 150.00 ± 200.00 ± 300.00 ± 400.00 ± 500.00 ± 630.00 ± 800.00 ± 1000.00 ± 1500.00 ± 2000.00 ± 3000.00 ± 4000.00 ± 5000.00 ± 6300.00 ± 8000.00 ± 10000.00	Level	Sursh
Class 12 : 0.5 ± 0.10 ± 0.15 ± 0.20 ± 0.30 ± 0.40 ± 0.50 ± 0.60 ± 0.80 ± 1.00 ± 1.50 ± 2.00 ± 3.00 ± 4.00 ± 5.00 ± 6.30 ± 8.00 ± 10.00 ± 15.00 ± 20.00 ± 30.00 ± 40.00 ± 50.00 ± 63.00 ± 80.00 ± 100.00 ± 150.00 ± 200.00 ± 300.00 ± 400.00 ± 500.00 ± 630.00 ± 800.00 ± 1000.00 ± 1500.00 ± 2000.00 ± 3000.00 ± 4000.00 ± 5000.00 ± 6300.00 ± 8000.00 ± 10000.00	Level	Sursh
Class 13 : 0.5 ± 0.10 ± 0.15 ± 0.20 ± 0.30 ± 0.40 ± 0.50 ± 0.60 ± 0.80 ± 1.00 ± 1.50 ± 2.00 ± 3.00 ± 4.00 ± 5.00 ± 6.30 ± 8.00 ± 10.00 ± 15.00 ± 20.00 ± 30.00 ± 40.00 ± 50.00 ± 63.00 ± 80.00 ± 100.00 ± 150.00 ± 200.00 ± 300.00 ± 400.00 ± 500.00 ± 630.00 ± 800.00 ± 1000.00 ± 1500.00 ± 2000.00 ± 3000.00 ± 4000.00 ± 5000.00 ± 6300.00 ± 8000.00 ± 10000.00	Level	Sursh
Class 14 : 0.5 ± 0.10 ± 0.15 ± 0.20 ± 0.30 ± 0.40 ± 0.50 ± 0.60 ± 0.80 ± 1.00 ± 1.50 ± 2.00 ± 3.00 ± 4.00 ± 5.00 ± 6.30 ± 8.00 ± 10.00 ± 15.00 ± 20.00 ± 30.00 ± 40.00 ± 50.00 ± 63.00 ± 80.00 ± 100.00 ± 150.00 ± 200.00 ± 300.00 ± 400.00 ± 500.00 ± 630.00 ± 800.00 ± 1000.00 ± 1500.00 ± 2000.00 ± 3000.00 ± 4000.00 ± 5000.00 ± 6300.00 ± 8000.00 ± 10000.00	Level	Sursh
Class 15 : 0.5 ± 0.10 ± 0.15 ± 0.20 ± 0.30 ± 0.40 ± 0.50 ± 0.60 ± 0.80 ± 1.00 ± 1.50 ± 2.00 ± 3.00 ± 4.00 ± 5.00 ± 6.30 ± 8.00 ± 10.00 ± 15.00 ± 20.00 ± 30.00 ± 40.00 ± 50.00 ± 63.00 ± 80.00 ± 100.00 ± 150.00 ± 200.00 ± 300.00 ± 400.00 ± 500.00 ± 630.00 ± 800.00 ± 1000.00 ± 1500.00 ± 2000.00 ± 3000.00 ± 4000.00 ± 5000.00 ± 6300.00 ± 8000.00 ± 10000.00	Level	Sursh
Class 16 : 0.5 ± 0.10 ± 0.15 ± 0.20 ± 0.30 ± 0.40 ± 0.50 ± 0.60 ± 0.80 ± 1.00 ± 1.50 ± 2.00 ± 3.00 ± 4.00 ± 5.00 ± 6.30 ± 8.00 ± 10.00 ± 15.00 ± 20.00 ± 30.00 ± 40.00 ± 50.00 ± 63.00 ± 80.00 ± 100.00 ± 150.00 ± 200.00 ± 300.00 ± 400.00 ± 500.00 ± 630.00 ± 800.00 ± 1000.00 ± 1500.00 ± 2000.00 ± 3000.00 ± 4000.00 ± 5000.00 ± 6300.00 ± 8000.00 ± 10000.00	Level	Sursh
Class 17 : 0.5 ± 0.10 ± 0.15 ± 0.20 ± 0.30 ± 0.40 ± 0.50 ± 0.60 ± 0.80 ± 1.00 ± 1.50 ± 2.00 ± 3.00 ± 4.00 ± 5.00 ± 6.30 ± 8.00 ± 10.00 ± 15.00 ± 20.00 ± 30.00 ± 40.00 ± 50.00 ± 63.00 ± 80.00 ± 100.00 ± 150.00 ± 200.00 ± 300.00 ± 400.00 ± 500.00 ± 630.00 ± 800.00 ± 1000.00 ± 1500.00 ± 2000.00 ± 3000.00 ± 4000.00 ± 5000.00 ± 6300.00 ± 8000.00 ± 10000.00	Level	Sursh
Class 18 : 0.5 ± 0.10 ± 0.15 ± 0.20 ± 0.30 ± 0.40 ± 0.50 ± 0.60 ± 0.80 ± 1.00 ± 1.50 ± 2.00 ± 3.00 ± 4.00 ± 5.00 ± 6.30 ± 8.00 ± 10.00 ± 15.00 ± 20.00 ± 30.00 ± 40.00 ± 50.00 ± 63.00 ± 80.00 ± 100.00 ± 150.00 ± 200.00 ± 300.00 ± 400.00 ± 500.00 ± 630.00 ± 800.00 ± 1000.00 ± 1500.00 ± 2000.00 ± 3000.00 ± 4000.00 ± 5000.00 ± 6300.00 ± 8000.00 ± 10000.00	Level	Sursh
Class 19 : 0.5 ± 0.10 ± 0.15 ± 0.20 ± 0.30 ± 0.40 ± 0.50 ± 0.60 ± 0.80 ± 1.00 ± 1.50 ± 2.00 ± 3.00 ± 4.00 ± 5.00 ± 6.30 ± 8.00 ± 10.00 ± 15.00 ± 20.00 ± 30.00 ± 40.00 ± 50.00 ± 63.00 ± 80.00 ± 100.00 ± 150.00 ± 200.00 ± 300.00 ± 400.00 ± 500.00 ± 630.00 ± 800.00 ± 1000.00 ± 1500.00 ± 2000.00 ± 3000.00 ± 4000.00 ± 5000.00 ± 6300.00 ± 8000.00 ± 10000.00	Level	Sursh
Class 20 : 0.5 ± 0.10 ± 0.15 ± 0.20 ± 0.30 ± 0.40 ± 0.50 ± 0.60 ± 0.80 ± 1.00 ± 1.50 ± 2.00 ± 3.00 ± 4.00 ± 5.00 ± 6.30 ± 8.00 ± 10.00 ± 15.00 ± 20.00 ± 30.00 ± 40.00 ± 50.00 ± 63.00 ± 80.00 ± 100.00 ± 150.00 ± 200.00 ± 300.00 ± 400.00 ± 500.00 ± 630.00 ± 800.00 ± 1000.00 ± 1500.00 ± 2000.00 ± 3000.00 ± 4000.00 ± 5000.00 ± 6300.00 ± 8000.00 ± 10000.00	Level	Sursh
Class 21 : 0.5 ± 0.10 ± 0.15 ± 0.20 ± 0.30 ± 0.40 ± 0.50 ± 0.60 ± 0.80 ± 1.00 ± 1.50 ± 2.00 ± 3.00 ± 4.00 ± 5.00 ± 6.30 ± 8.00 ± 10.00 ± 15.00 ± 20.00 ± 30.00 ± 40.00 ± 50.00 ± 63.00 ± 80.00 ± 100.00 ± 150.00 ± 200.00 ± 300.00 ± 400.00 ± 500.00 ± 630.00 ± 800.00 ± 1000.00 ± 1500.00 ± 2000.00 ± 3000.00 ± 4000.00 ± 5000.00 ± 6300.00 ± 8000.00 ± 10000.00	Level	Sursh
Class 22 : 0.5 ± 0.10 ± 0.15 ± 0.20 ± 0.30 ± 0.40 ± 0.50 ± 0.60 ± 0.80 ± 1.00 ± 1.50 ± 2.00 ± 3.00 ± 4.00 ± 5.00 ± 6.30 ± 8.00 ± 10.00 ± 15.00 ± 20.00 ± 30.00 ± 40.00 ± 50.00 ± 63.00 ± 80.00 ± 100.00 ± 150.00 ± 200.00 ± 300.00 ± 400.00 ± 500.00 ± 630.00 ± 800.00 ± 1000.00 ± 1500.00 ± 2000.00 ± 3000.00 ± 4000.00 ± 5000.00 ± 6300.00 ± 8000.00 ± 10000.00	Level	Sursh
Class 23 : 0.5 ± 0.10 ± 0.15 ± 0.20 ± 0.30 ± 0.40 ± 0.50 ± 0.60 ± 0.80 ± 1.00 ± 1.50 ± 2.00 ± 3.00 ± 4.00 ± 5.00 ± 6.30 ± 8.00 ± 10.00 ± 15.00 ± 20.00 ± 30.00 ± 40.00 ± 50.00 ± 63.00 ± 80.00 ± 100.00 ± 150.00 ± 200.00 ± 300.00 ± 400.00 ± 500.00 ± 630.00 ± 800.00 ± 1000.00 ± 1500.00 ± 2000.00 ± 3000.00 ± 4000.00 ± 5000.00 ± 6300.00 ± 8000.00 ± 10000.00	Level	Sursh
Class 24 : 0.5 ± 0.10 ± 0.15 ± 0.20 ± 0.30 ± 0.40 ± 0.50 ± 0.60 ± 0.80 ± 1.00 ± 1.50 ± 2.00 ± 3.00 ± 4.00 ± 5.00 ± 6.30 ± 8.00 ± 10.00 ± 15.00 ± 20.00 ± 30.00 ± 40.00 ± 50.00 ± 63.00 ± 80.00 ± 100.00 ± 150.00 ± 200.00 ± 300.00 ± 400.00 ± 500.00 ± 630.00 ± 800.00 ± 1000.00 ± 1500.00 ± 2000.00 ± 3000.00 ± 4000.00 ± 5000.00 ± 6300.00 ± 8000.00 ± 10000.00	Level	Sursh
Class 25 : 0.5 ± 0.10 ± 0.15 ± 0.20 ± 0.30 ± 0.40 ± 0.50 ± 0.60 ± 0.80 ± 1.00 ± 1.50 ± 2.00 ± 3.00 ± 4.00 ± 5.00 ± 6.30 ± 8.00 ± 10.00 ± 15.00 ± 20.00 ± 30.00 ± 40.00 ± 50.00 ± 63.00 ± 80.00 ± 100.00 ± 150.00 ± 200.00 ± 300.00 ± 400.00 ± 500.00 ± 630.00 ± 800.00 ± 1000.00 ± 1500.00 ± 2000.00 ± 3000.00 ± 4000.00 ± 5000.00 ± 6300.00 ± 8000.00 ± 10000.00	Level	Sursh
Class 26 : 0.5 ± 0.10 ± 0.15 ± 0.20 ± 0.30 ± 0.40 ± 0.50 ± 0.60 ± 0.80 ± 1.00 ± 1.50 ± 2.00 ± 3.00 ± 4.00 ± 5.00 ± 6.30 ± 8.00 ± 10.00 ± 15.00 ± 20.00 ± 30.00 ± 40.00 ± 50.00 ± 63.00 ± 80.00 ± 100.00 ± 150.00 ± 200.00 ± 300.00 ± 400.00 ± 500.00 ± 630.00 ± 800.00 ± 1000.00 ± 1500.00 ± 2000.00 ± 3000.00 ± 4000.00 ± 5000.00 ± 6300.00 ± 8000.00 ± 10000.00	Level	Sursh
Class		