

ProVia™

# PRODUCT CATALOGUE



**Dependable.  
Economical.  
ProVia**

For more information, visit  
[www.provia-auto.com](http://www.provia-auto.com)



# CONTENTS

## About ProVia

Two line air brake system in trucks ..... 4  
 Two line air brake system in trailers ..... 5  
 ProVia is the smart economical alternative ..... 6

## Air Brake

Brake Chamber ..... 10  
 Spring Brake Actuator ..... 18  
 Double Diaphragm Spring Brake Actuator ..... 24  
 Brake Pads ..... 29

## Air Processing

Air Dryer ..... 36  
 Electrically Controlled Air Dryer ..... 39  
 Air Processing Unit ..... 40  
 Heater ..... 42  
 Cartridge ..... 43  
 Multiple Circuit Protection Valve ..... 45  
 Quadruple Circuit Protection Valve ..... 46  
 Pressure Limiting Valve ..... 47  
 Compressor Cylinder Head ..... 51

## Air Suspension

Chassis Levelling Valve ..... 56  
 Cabin Levelling Valve ..... 58  
 Shock Absorber ..... 60  
 Rotary Slide Valve ..... 63

## Drive Control

Clutch Servo ..... 66  
 Pneumatic Clutch Actuator ..... 68

## Conventional Brake Control

Foot Brake Valve ..... 72  
 Hand Brake Valve ..... 74  
 Directional Control Valve ..... 76  
 Park Release Emergency Valve ..... 78  
 Relay Valve ..... 81  
 Relay Emergency Valve ..... 84  
 Trailer Release Valve ..... 86

## Electronic Brake Control

Wheel Speed Sensor ..... 90  
 Proportional Relay Valve ..... 97

## Electronically Controlled Air Suspension

ECAS Solenoid Valve ..... 102  
 ECAS Distance Sensor ..... 109

## Trailer Connection

Coiled & Straight Tubes ..... 114  
 Coupling Head ..... 115  
 Electrical Accessories ..... 116

## Index Lists, Cross Reference List

Index by ProVia part name ..... 120  
 Index by ProVia number ..... 121  
 Ref. No >> ProVia number ..... 123



ProVia is a commercial vehicle budget spare parts brand that delivers reliable performance, with no frills, yet no compromise on quality or safety for commercial vehicles.

ProVia is available to distributors, workshops and fleet operators serving the commercial vehicle industry worldwide.

For more information, visit [www.provia-auto.com](http://www.provia-auto.com)

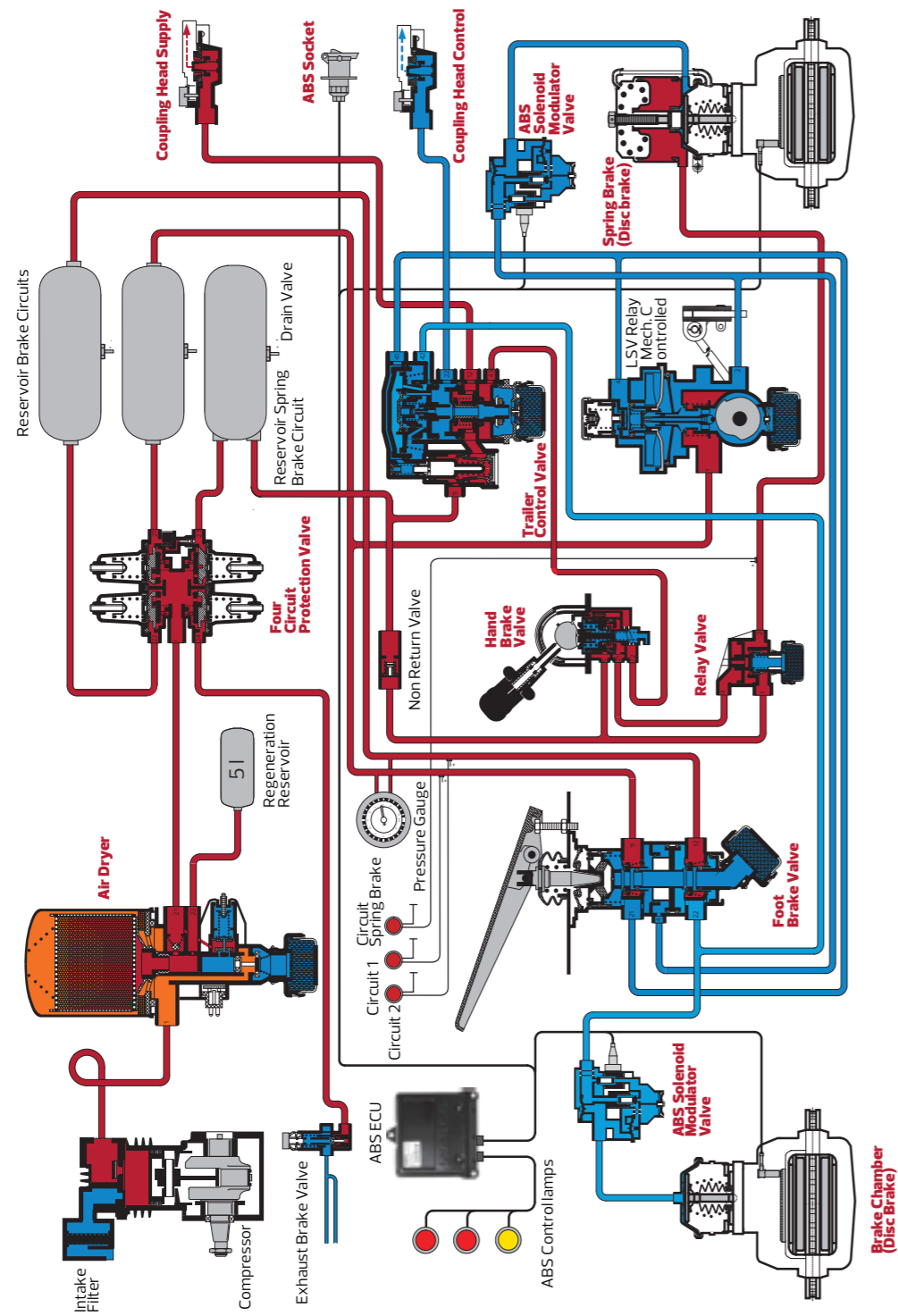
### DISCLAIMER

The products listed in this catalogue are specially designed for their specified intended use and may not be used for any other purpose. Content subject to change without notice. Errors and omissions excepted. All products listed in this catalogue may be installed by qualified garage mechanics only. During installation / assembly work, the respective installation instructions / operating instructions as well as information, guidelines and tips from the vehicle manufacturer must be followed!

© 2023 ProVia All rights reserved. Edition 08.2023

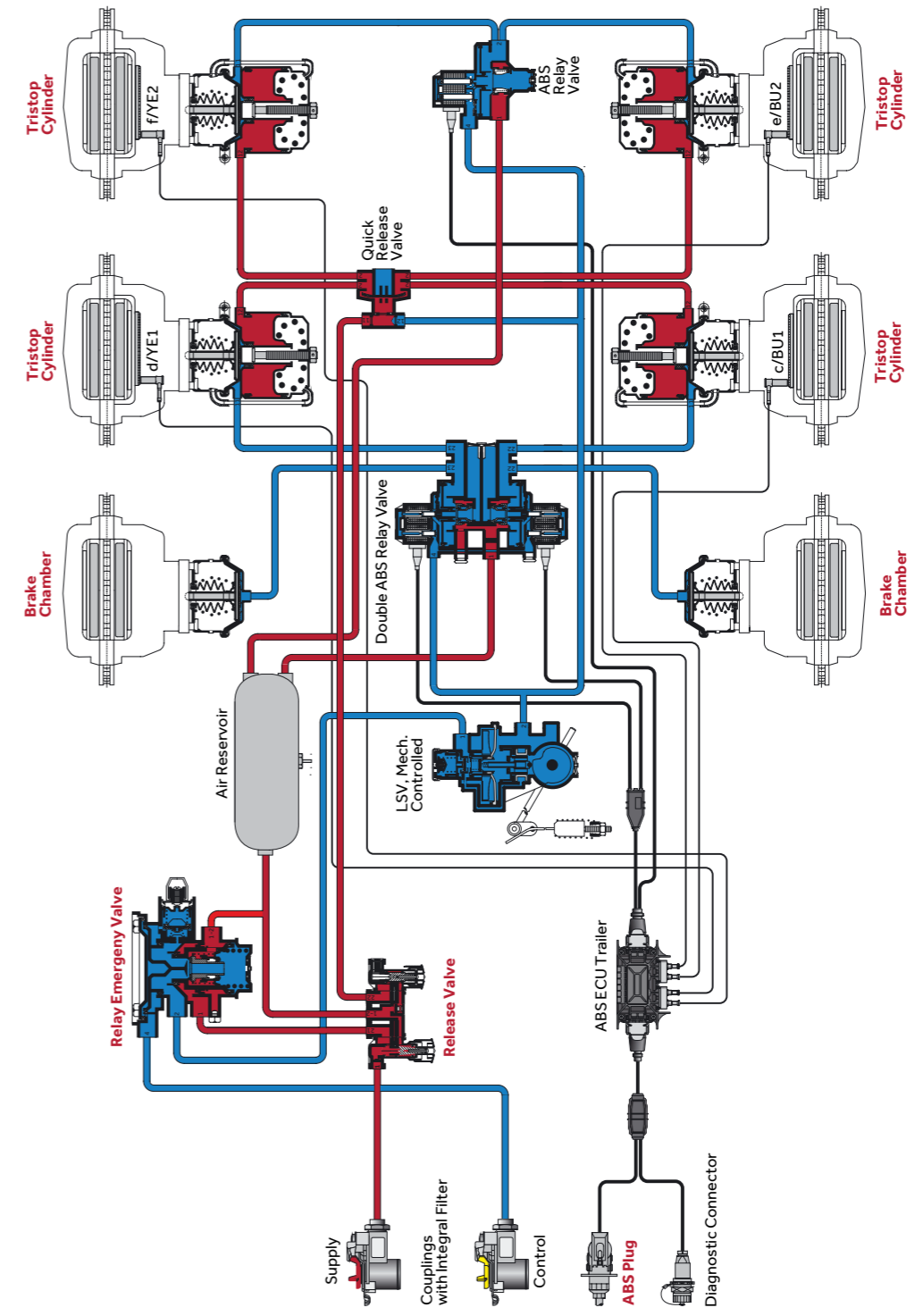
## Two line air brake system in trucks

- ProVia product portfolio
- Other parts



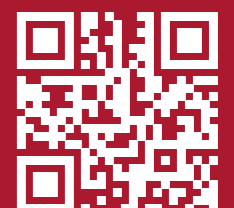
## Two line air brake system in trailers

- ProVia product portfolio
- Other parts



# ProVia is the smart economical alternative

	PREMIUM (OEM)	PROVIA	AVERAGE LOW COST COMPETITORS
Product range	Complete premium range of innovative, high technology, OE certified spare parts.	Economical, no frills spare parts range with no compromise on safety and constant availability. Range with a reduced number of parts, fit to repair a large number of OE references.	Low cost spare parts.
Safety			
Lifetime			
Price			
Certification			
<b>Services</b>			
Logistics network	Premium ordering system, allowing quick and efficient order processing and delivery		
Ordering quantities	On part level	Convenient batch sizes	
Claims handling	Convenient online claims handling / the service network	Convenient online	
Technical (field) support	Quick & easily accessible support	Limited support	
Warranty	2 years	1 year	
Repair Kits	Full range	Limited	





# AIR BRAKE

BRAKE CHAMBER • SPRING BRAKE ACTUATOR • DOUBLE DIAPHRAGM SPRING BRAKE ACTUATOR • BRAKE PADS

# BRAKE CHAMBER

With ProVia's brake chamber, the air pressure is converted efficiently into mechanical output force to brake the vehicles. ProVia provides customers another cost attractive and TÜV certificated option of Brake Chamber with outstanding performance and trustworthy operation.

## Key Features

- Up to 1 million life cycles for chamber
- 96 hours corrosion resistance
- Working temperature: -40 °C ... +80 °C
- Maximum working pressure: 10.2 bar
- TÜV and SAE standard
- Stroke length 57.0/63.5/76.2 mm



Brake Chamber Cam



Brake Chamber Disc



Brake Chamber Diaphragm

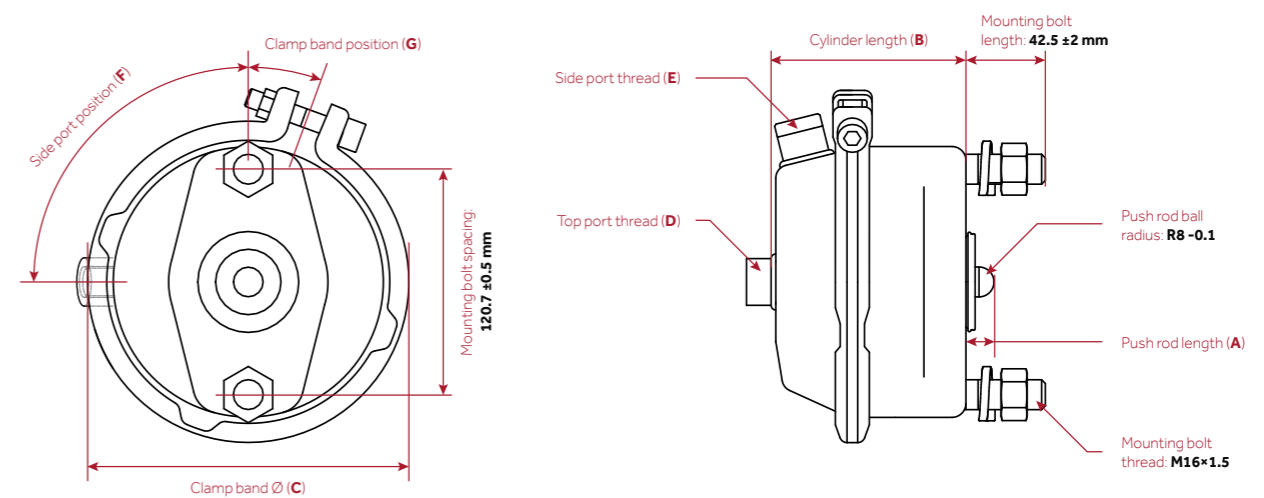
FEATURE	OE ORIGINAL	PROVIA	AFTERMARKET AVERAGE*
Quality			
Corrosion resistance (hours)			
Leakage (cm³ / min)			

\* Average low specification alternative product

## ProVia Brake Chamber Disc - Dimensions and technical details

ProVia number	Type	Stroke	Push rod length (A)	Cylinder length (B)	Clamp band Ø (C)	Port / Fitting		Position	
						Top (D)	Side (E)	Side port (F)	Clamp band (G)
PRO 714 019 0	20	63.5 mm	15±0.5 mm	108 mm	Ø 179 mm	M16×1.5 / -	M16×1.5 / -	0°	20°

ProVia number	Type	Stroke	Push rod length (A)	Cylinder length (B)	Clamp band Ø (C)	Port / Fitting		Position	
						Top (D)	Side (E)	Side port (F)	Clamp band (G)
PRO 714 020 0	20	57.0 mm	15±0.5 mm	102 mm	Ø 179 mm	M16×1.5 / -	-	-	90°
PRO 714 030 0	20	63.5 mm	15±0.5 mm	108 mm	Ø 179 mm	M12×1.5 / -	M22×1.5 / NG12 Voss 232	125°	50°
PRO 714 241 0	24	63.5 mm	15±0.5 mm	108 mm	Ø 189 mm	M16×1.5 / -	M16×1.5 / -	0°	20°
PRO 714 242 0	24	63.5 mm	15±0.5 mm	108 mm	Ø 189 mm	M12×1.5 / -	M22×1.5 / NG12 Voss 232	30°	90°
PRO 714 244 0	24	76.2 mm	20±0.5 mm	118 mm	Ø 189 mm	-	M22×1.5 / -	180°	90°
PRO 714 245 0	24	76.2 mm	26±0.5 mm	107 mm	Ø 189 mm	-	M22×1.5 / -	90°	167°
PRO 714 330 0	16	57.0 mm	15±0.5 mm	102 mm	Ø 172 mm	-	M16×1.5 / -	90°	45°
PRO 714 710 0	16	57.0 mm	15±0.5 mm	102 mm	Ø 172 mm	M16×1.5 / -	M16×1.5 / -	0°	20°



### ProVia Diaphragm for repair of ProVia Brake Chamber

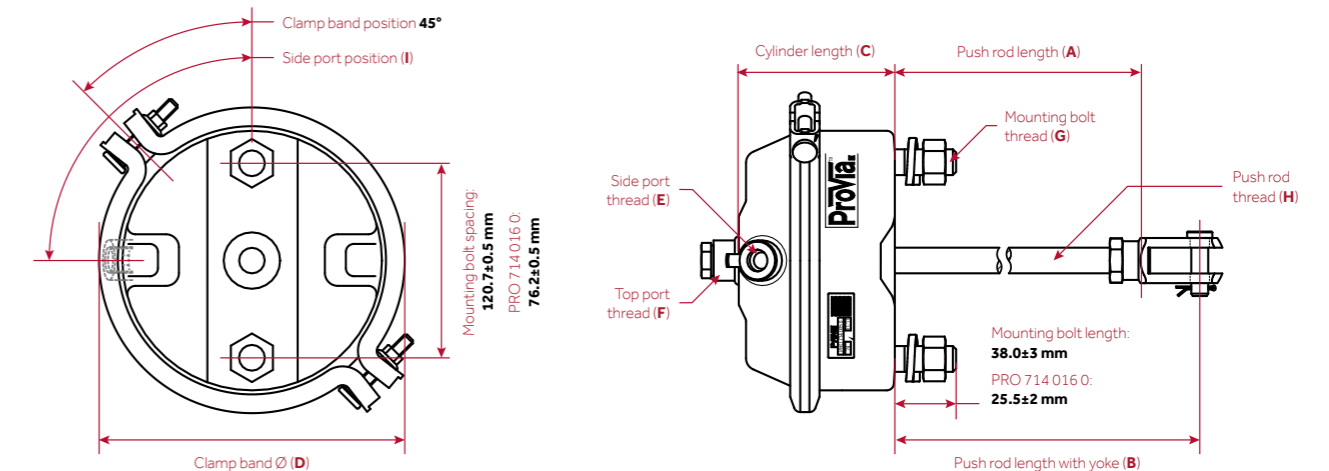
ProVia Brake Chamber Disc	ProVia Diaphragm	ProVia Brake Chamber Cam	ProVia Diaphragm
PRO 714 019 0 PRO 714 020 0 PRO 714 030 0	PRO 714 024 4	PRO 714 000 0	PRO 714 026 4
PRO 714 241 0 PRO 714 242 0	PRO 714 025 4	PRO 714 007 0	PRO 714 022 4
PRO 714 244 0 PRO 714 245 0	PRO 714 026 4	PRO 714 015 0	PRO 714 028 4
PRO 714 330 0 PRO 714 710 0	PRO 714 023 4	PRO 714 016 0	PRO 714 021 4

### Cross References ProVia Brake Chamber Disc

Manufacturer No	Ref. No	Manufacturer No	Ref. No	Manufacturer No	Ref. No	
<b>PRO 714 019 0</b>						
<b>Knorr-Bremse</b>	0203277400 0203277500 0544434010 0544434020 1020756 14315 1456901 1517954 1932639 21151205030 337900 3454106760 3454108260 4454106760 4454108260 7054446 A0074201224 BS3404 II31098 N2504016063 WA4235050000	A0084201524 BS3401 BS3435 II38414FN00 K004171N00 K004486N00		BS3514 K002624 K002624N00 K003996N00		
<b>PRO 714 241 0</b>						
<b>Knorr-Bremse</b>	0203277800 0203277900 0544436010 0544436020 118867 1517956 1542896 1664253 17157 1932640 3177339 337902 3454106960 3519015DA1S 500590336 70330019 7054433 A0074201424 AB4235061430 WA4235060010			81511016434 81511016498 BS3536 II37133 K015589N00		
<b>PRO 714 245 0</b>						
<b>Knorr-Bremse</b>	BS3526 II32723 K015591N00					
<b>PRO 714 330 0</b>						
<b>Knorr-Bremse</b>	54203924 74207424 BS3300 II14535			81511016425 81511016491		
<b>PRO 714 710 0</b>						
<b>Ashok Leyland</b>	445332068					
<b>BPW</b>	0203277000 0203277100 0544432010 0544432020					
<b>DAF</b>	1505241					
<b>EvoBus</b>	A0064205224					

### ProVia Brake Chamber Cam - Dimensions and technical details

ProVia number	Type	Stroke	Yoke	Push rod length		Cylinder length (C)	Clamp band Ø (D)	Thread			Position side port (I)
				without yoke (A)	with yoke (B)			Port (E, F)	Mounting bolt (G)	Push rod (H)	
PRO 714 000 0	24°	≥76.2 mm	-	186±3 mm	-	110 mm	Ø 189 mm	M16×1.5	M16×1.5	M16×1.5	180°
PRO 714 007 0	30°	≥76.2 mm	-	186±3 mm	-	110 mm	Ø 212 mm	M16×1.5	M16×1.5	M16×1.5	180°
PRO 714 015 0	20°	≥76.2 mm	-	186±3 mm	-	118 mm	Ø 179 mm	M16×1.5	M16×1.5	M16×1.5	180°
PRO 714 016 0	16°	≥75.0 mm	-	186±3 mm	-	118 mm	Ø 172 mm	M16×1.5	M12×1.5	M16×1.5	180°



### Cross References ProVia Brake Chamber Cam

Manufacturer No	Ref. No	Manufacturer No	Ref. No	Manufacturer No	Ref. No
<b>PRO 714 000 0</b>					
<b>Alexander Dennis</b>	AB4231069000	<b>BOSCH</b>	482022407 482022408	<b>DAF</b>	834483
<b>Arfesan</b>	1620021 1620037 1620049	<b>Bosch Rexroth</b>	4231069000	<b>DAHL</b>	1252400000 1252401000 1252410000 1252411000 1252412000 1252413000 1252414000 1252415000
<b>BEDFORD</b>	A4028470	<b>BPW</b>	203273100 544415010 544415100 544415110		
<b>Bendix</b>	295533 295555	<b>CASE IH</b>	84014961		

Manufacturer No	Ref. No	Manufacturer No	Ref. No	Manufacturer No	Ref. No
	1252420000		BX3534		14203924
	1252421000		BX3535		14206724
	1252422000		BX3538		14206824
	1252423000		BZ3501		14207424
	1252424000		BZ3508		44208618
			BZ3509		44208718
<b>Europart</b>	3990006650		BZ3510		64201618
<b>FAYMONVILLE</b>	0844		BZ3520		64201718
<b>Feldbinder</b>	6760		BZ3521		
	6761		BZ3523	<b>NATO</b>	2530123112454
			BZ3533		2530233112454
<b>Fruehauf</b>	1H312161609		BZ3534	<b>Neoplan</b>	7010024
	ASX0014020		BZ3535		11015181
			BZ3536		80220100
<b>Goldhofer</b>	200262		BZ3537		
<b>Haldex</b>	120350201			<b>Nooteboom</b>	5209
	120350203	<b>KÖGEL</b>	77348		305051
	120351101		79303	<b>Orthaus</b>	407007
	120351201		175203		
	123240s001	<b>KRONE</b>	945153	<b>Paccar</b>	834483
	345001031		50945153		CV114086
	345004021			<b>Ppt</b>	20644210
	345004231	<b>Langendorf</b>	1109376		
	345004241	<b>LECITRAILER</b>	4112037	<b>Renault</b>	38855200
	345043001				4231069000
	345043002	<b>Leyland DAF</b>	834483		5000809565
	345044001		BBU5932		5021170051
	345045001	<b>LIEBHERR</b>	10167586	<b>Ritec</b>	49800024900
	345050001			<b>SAF</b>	4454112900
	345050002	<b>LOHR</b>	A05010131		
	345400010	<b>Mafi</b>	5680010	<b>Samro</b>	401041
	345400011				4000022
	345400012	<b>MAGNETI MARELLI</b>	EF240A	<b>Scania</b>	1010154
	345400110		EF240B		1738480
	345400111		EF240E		
	345403157		EF246AK	<b>Schmitz</b>	51012
	345415010	<b>MAN</b>	81511016080		4231069000
	345415011		81511016081	<b>Schwarzmüller</b>	3552
	345415012		81511016082	<b>SEDDON ATKINSON</b>	3345108R1
	345415111		81511016083		
	345425010		81511016105	<b>Terex-Demag</b>	96926300
	345425110		81511016111		
	345425112		81511016115	<b>Tirsan</b>	21151105025
			81511019105	<b>VDL Bus</b>	20223066
<b>Hendrickson</b>	NB1702			<b>Volvo</b>	6212188
<b>HQ-Metal</b>	SD91005	<b>Meiller</b>	79936239004980		WA4231069000
<b>IVECO</b>	3345108R1	<b>Mercedes-Benz</b>	4207424	<b>PRO 714 007 0</b>	
<b>KÄSSBOHRER</b>	21151105025		4207524	<b>Arfesan</b>	1630000
			4209124		1630007
<b>KEMPF</b>	2001008		4209224	<b>Benalu</b>	605107100
<b>Knorr-Bremse</b>	295555		14203524		
	125 2423 000		14203624		
	BX3507		14203724		
			14203824		

Manufacturer No	Ref. No	Manufacturer No	Ref. No	Manufacturer No	Ref. No
<b>Bendix</b>	295534		345525011	<b>Renault</b>	5000815361
	295556		345525110		5021170052
<b>BERG</b>	120360101		345525111	<b>Ritec</b>	49800025000
			345525112	<b>SAF</b>	4454103900
<b>Bosch Rexroth</b>	4231079000	<b>Hendrickson</b>	4231079000	<b>Samro</b>	4000023
<b>BPW</b>	203272900	<b>John Deere</b>	AZ52824	<b>SAUER-WERKZEUG</b>	4454103900
	544416010		AZ52824(I)		
	544416100		WZ2480155	<b>Scania</b>	1010155
	544416110	<b>KÄSSBOHRER</b>	82830500000		1738481
<b>CASE IH</b>	84012958	<b>KEMPF</b>	2001009	<b>Schmitz</b>	51017
<b>DAF</b>	705707	<b>KENWORTH</b>	S423-107-900-0		1232785
	834484				4231079000
<b>DAHL</b>	1253000000	<b>Knorr-Bremse</b>	BX3604		82830500000
	1253010000		BX3605		1BREMSE0091
	1253011000		BX3607	<b>Schwarzmüller</b>	3553
	1253012000		BZ3600	<b>Terex-Demag</b>	96924700
	1253013000		BZ3611	<b>Tirsan</b>	21151105030
	1253014000		BZ3627	<b>TOHO CAR</b>	T42-106
	1253015000		BZ3636		
	1253016000	<b>KÖGEL</b>	79545	<b>Volvo</b>	WA4231079000
	1253020000		175204	<b>PRO 714 015 0</b>	
	1253021000	<b>KRONE</b>	945152	<b>Alexander Dennis</b>	4321059000
	1253022000		50945152	<b>Arfesan</b>	1610000
	1253023000	<b>Langendorf</b>	1109377		1610014
	1253024000	<b>LECITRAILER</b>	4110441		1610016
<b>EvoBus</b>	8283572000	<b>Leyland DAF</b>	834484		1610021
	8283850000		BBU5933	<b>Benalu</b>	605109100
	89199797614	<b>LIEBHERR</b>	502920501	<b>Bendix</b>	295532
<b>FAYMONVILLE</b>	0943		502966208		295554
<b>Feldbinder</b>	6674	<b>LOHR</b>	4231079000	<b>Bosch Rexroth</b>	4231059000
	6763	<b>Mafi</b>	5680047		
<b>FREIGHTLINER</b>	9628S4231079000	<b>MAGNETI MARELLI</b>	EF306AK	<b>BPW</b>	203273200
<b>Fruehauf</b>	A3309600VAS				203362000
	ASX0014021	<b>Meiller</b>	79936339004981		544414010
	M02027203	<b>Mercedes-Benz</b>	4208024	<b>DAF</b>	834482
<b>Goldhofer</b>	201241			<b>DAHL</b>	1252000000
<b>Haldex</b>	120360201	<b>MERITOR</b>	S4231079000		1252010000
	120360203				1252011000
	120361101	<b>NATO</b>	2530123138352		1252014000
	120361201		2530233138352	<b>Neoplan</b>	7010030
	123300001	<b>Neoplan</b>	7010030	<b>Nooteboom</b>	305052
	345013001			<b>Paccar</b>	834484
	345500010	<b>PETERBILT</b>	S423-107-900-0		
	345500011			<b>Ppt</b>	20644270
	345500012				
	345500110				
	345500111				
	345525010				



Manufacturer No	Ref. No	Manufacturer No	Ref. No	Manufacturer No	Ref. No
Fruehauf	ASX0014019	Langendorf	1109374	<b>PRO 714 016 0</b>	
Goldhofer	200260	Leyland DAF	834482 BBU5931	Arfesan	1600000 1600004
Haldex	120340201 120340203 120341101 120341201 345011001 345031003 345031004 345037001 345037002 345300012 345300110 345300111 345315010 345315011 345315012 345315110 345315111 345315112 345325110 345325112 345325155	LIEBHERR	502918601	Benalu	605110100
		LOHR	A05010104	Bendix	295531 295553
		MAGNETI MARELLI	EF206AK	BOSCH	482022001 482022003
		MAN	81511016076 81511016077 81511016078 81511016079 81511016199 81511019076	Bosch Rexroth	4231049000
		Meiller	79936139004979	BPW	203272700
		Mercedes-Benz	24206518 6984203721 6994200724 6994203721 A6984203721 A6994200724 A6994203721	CASE IH	84320807
Hendrickson	NB1759	MERITOR	S4231059000	DAF	721180 735929 745398 834481
IVECO	34140 3345107R1	NATO	2530123127703 2530233127703	DAHL	1251615000 1551614000
KEMPF	2001006	Neoplan	7010020	Europart	3400033198 3405335300 3419836580 3450406745
Knorr-Bremse	BX3402 BX3416 BX3417 BX3419 BZ3400 BZ3404 BZ3421 BZ3424 BZ3425 BZ3427 BZ3428 BZ3429 BZ3433 BZ3434 BZ3435 BZ3436 BZ3437 BZ3460	Nooteboom	305050	EvoBus	8283569000 A0034201324
		Paccar	834482	FAYMONVILLE	0940
		Ppt	20644160	Feldbinder	1658
		Renault	5021170049	Fruehauf	AFA9104001 ASX0014018
		Ritec	49800024800	Goldhofer	200255
		SAF	4454112600	Haldex	120330201 120331101 120331201 345010111 345200010 345200011 345200012 345200101 345200110 345200111 345200112 345215011 345215111 345225110 345225112
		Scania	1738479	Hendrickson	4231049000
		Schmitz	51009 1020753 4231059000	IVECO	100287
		Schwarzmüller	3551		
		SEDDONATKINSON	3345107R1		
		STEYR	99000360485		
		Volvo	526031200000 BBU5931 WA4231059000		

Manufacturer No	Ref. No	Manufacturer No	Ref. No	Manufacturer No	Ref. No
John Deere	AZ50953 AZ50953(I)	KÖGEL	79537	NATO	2530121913561 2530211913561
Kali & Salz	M4792629	KRONE	945157 9451570 50945157 500945157	Neoplan	7010016
KEMPF	2001005	Langendorf	1109373	Nooteboom	5207 305049
Knorr-Bremse	BY3301 BZ3300 BZ3301 BZ3302 BZ3303 BZ3304 BZ3306 BZ3307 BZ3308 BZ3309 BZ3310 BZ3320 BZ3326 BZ3332 BZ3337 BZ3338 BZ3339 BZ3340 BZ3341 BZ3353 BZ3365 BZ3370 BZ3374 I54213 I54213AT I68252 I78008 I78491 I78872 I78873 I83658 I89000 I133198 I133198A I133457 SEB01060 SEB01360	Leyland DAF	834481 BBU5930 PR4982	Paccar	834481
		LIEBHERR	10003357 502962408	Ppt	20644100
		MACK	7016	Renault	5021170047
		MAGNETI MARELLI	EF166AK	Ritec	49800024700
		MAN	81511016172 81511016173 81511016174 81511016175 81511016198 81511016221 81511016222 81511016223 81511016225 81511016249 81511016260 81511016266 81511019249	Scania	1010153 1912301
		Mercedes-Benz	4209924 14200224 14200624 14200824 14200924 14206224 14206324 34201324 54207518 64202718 74200018 74200118 A0034201324	Schmitz	51007 4231049000
				VAN HOOL	637207570
				Volvo	WA4231049000

# SPRING BRAKE ACTUATOR

Spring brake actuators consist of both a service and a parking chamber. The air pressure applied into the service chamber is converted into mechanical output force. The parking chamber provides the mechanical braking force to park the vehicle. In addition, a mechanical release arrangement is provided in the unit to release the parking brake after brake failure.

## Key Features

- With only few variants, ProVia is able to serve an impressive range of more than 200 OEM cross references
- Much longer lifetime and better corrosion resistance reduces the replacement rate of this component compared to other budget parts
- Internal Breathing Valve (IBV) provides clean and dry air protection against aggressive environmental conditions extending the lifetime of the device. Most competitor chambers breathe with external holes in the rear housing
- Max. Operation pressure up to 13 bar
- Stroke length 57 / 65

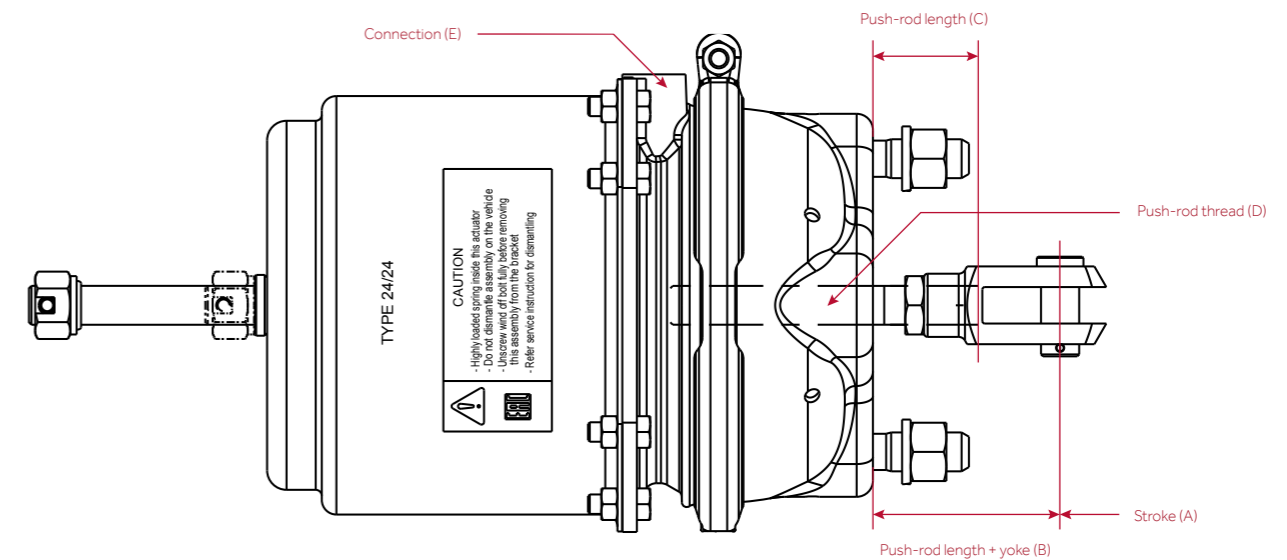


Spring Brake Actuator Disc

Spring Brake Actuator Cam

FEATURE	OE ORIGINAL	PROVIA	AFTERMARKET AVERAGE*
Corrosion resistance (hours)			
Leakage -40 °C (cm³/min)			
Leakage +80 °C (cm³/min)			

\* Average low specification alternative product



## ProVia Spring Brake Actuator Disc

Force of return spring: 220 N, Output pressure: 6.5 bar, Shape Non Pressure Chamber: oval

ProVia number	Type	Stroke [mm]	Push-rod length [mm]	Connection		Port: Working pressure [P <sub>e</sub> max.]	Output force [kN]	
				Port / Fitting	Specification		Service brake	Spring brake
PRO 461 101 0	24/24	65/65	15	M16×1.5 / -	JED-152	<b>11:</b> 10 bar (13 bar) <b>12:</b> 8.5 bar (11 bar)	9.0	5.5-10
PRO 480 010 0	20/24	65/65	15	M22×1.5 / VOSS 232	JED-388-3	<b>11:</b> 10 bar (13 bar) <b>12:</b> 8.5 bar (11 bar)	7.7	5.5-10
PRO 481 012 0	24/24	65/65	15	M22×1.5 / VOSS 232	JED-388-3	<b>11:</b> 10 bar (13 bar) <b>12:</b> 8.5 bar (11 bar)	9.0	5.5-10
PRO 481 050 0	24/24	65/65	15	M16×1.5	JED-464-0	<b>11:</b> 10 bar (13 bar) <b>12:</b> 8.5 bar (11 bar)	9.0	5.5-10

EDITION 03.2019

## ProVia Spring Brake Actuator Cam

Force of return spring: 190 N, Output pressure: 6.5 bar, Shape Non Pressure Chamber: cross

ProVia number	Type	Stroke (A) [mm]	Push-rod length [mm]		Push-rod thread (D)	Type of fixing yoke	Connection (E)		Port: Working pressure [P <sub>e</sub> max.]	Output force [kN]	
			+ yoke (B)	without yoke (C)			Port / Fitting	Specification		Service brake	Spring brake
PRO 420 001 0	20/24	57/57	75	45.80	M16×1.5	Screwed	M22×1.5 / M22×1.5	JED-388-0	<b>11 / 12:</b> 10 bar (13 bar)	7.8	6.8-11.0

ProVia number	Type	Stroke (A) [mm]	Push-rod length [mm]		Push-rod thread (D)	Type of fixing yoke	C nnection (E)		Port: Working pressure [Pe max.]	Output force [kN]	
			+ yoke (B)	without yoke (C)			Port / Fitting	Specifi-cation		Service brake	Spring brake
PRO 421 002 0	24/24	57/57	290	257.45	M16×1.5	Screwed	M22×1.5 / M22×1.5	JED-388-0	<b>11:</b> 10 bar (13 bar) <b>12:</b> 8.5 bar (11 bar)	9.0	6.8-11.0
PRO 421 004 0	24/30	65/65	77	44.40	M16×1.5	Screwed	M16×1.5 / M16×1.5	JED-152	<b>11:</b> 10 bar (13 bar) <b>12:</b> 8.5 bar (11 bar)	9.0	8.6-15.5
PRO 430 001 0	20/24	65/65	70	37.00	M16×1.5	Screwed	M16×1.5 / -	JED-152	<b>11:</b> 10 bar (13 bar) <b>12:</b> 8.5 bar (11 bar)	7.8	5.8-10.0
PRO 431 001 0	24/24	65/65	77	44.65	M16×1.5	Screwed	M16×1.5 / -	JED-152	<b>11:</b> 10 bar (13 bar) <b>12:</b> 8.5 bar (11 bar)	9.0	5.8-10.0
PRO 432 001 0	30/24	65/65	-	75.00	M16×1.5	Screwed	M16×1.5 / -	JED-152	<b>11:</b> 10 bar (13 bar) <b>12:</b> 8.5 bar (11 bar)	12.1	6.5-11.0
PRO 491 001 0	24/24	65/65	298	248.65	M16×1.5	Screwed	M16×1.5 / -	JED-464-0	<b>11:</b> 10 bar (13 bar) <b>12:</b> 8.5 bar (11 bar)	9.0	5.8-10.0
PRO 491 002 0	24/24	57/57	37	11.00	Ø16	Welded	M22×1.5 / VOSS 232	JED-388-3	<b>11 / 12:</b> 10 bar (13 bar)	9.0	5.8-10.0
PRO 491 003 0	24/24	57/57	290	257.45	M16×1.5	Screwed	M22×1.5 / VOSS 232	JED-388-3	<b>11:</b> 10 bar (13 bar) <b>12:</b> 8.5 bar (11 bar)	9.0	5.8-10.0
PRO 491 004 0	24/30	65/65	90	58.00	M16×1.5	Screwed	M16×1.5 / M16×1.5	JED-464-0	<b>11:</b> 10 bar (13 bar) <b>12:</b> 8.5 bar (11 bar)	9.0	8.0-13.0
PRO 492 001 0	30/24	65/65	58	20.50	Ø16	Welded	M16×1.5 / -	JED-152	<b>11 / 12:</b> 10 bar (13 bar)	12.1	6.5-11.0
PRO 492 002 0	30/24	65/65	-	75.00	M16×1.5	Screwed	Rc 3/8 / -	ISO-7-1	<b>11:</b> 10 bar (13 bar) <b>12:</b> 8.5 bar (11 bar)	12.1	7.5-10.0
PRO 492 003 0	30/30	65/65	37	10.90	Ø 16	Welded	M22×1.5 / VOSS 232	JED-388-0	<b>11:</b> 10 bar (13 bar) <b>12:</b> 8.5 bar (11 bar)	12.1	8.0-13.0
PRO 492 005 0	30/30	65/65	92	59.00	M16×1.5	Screwed	M16×1.5 / M16×1.5	JED-152	<b>11:</b> 10 bar (13 bar) <b>12:</b> 8.5 bar (11 bar)	12.1	8.0-13.0
PRO 492 006 0	30/30	65/65	285	252.90	M16×1.5	Screwed	M16×1.5 / M16×1.5	JED-152	<b>11:</b> 10 bar (13 bar) <b>12:</b> 8.5 bar (11 bar)	12.1	8.0-13.0
PRO 499 001 0	27/24	65/65	-	247.00	M16×1.5	Screwed	M16×1.5 / -	JED-464-0	<b>11:</b> 10 bar (13 bar) <b>12:</b> 8.5 bar (11 bar)	11.1	7.5-10.0

## Cross References ProVia Spring Brake Actuator

Manufacturer No	Ref. No	Manufacturer No	Ref. No	Manufacturer No	Ref. No
<b>PRO 420 001 0</b>			1446037	<b>Mercedes-Benz</b>	A0114205818
<b>DAF</b>	1505191R		1446038		A0114205918
	1519152		1446039		A0114209118
			1446040		A0144200018
<b>MAN</b>	81504106607		1505333		A0144200118
	81504106703		1740206	<b>Scania</b>	1313823
	81504106704		1935409		1367493
<b>Mercedes-Benz</b>	A0164204018		1935410		1446056
<b>PRO 421 002 0</b>			570823		1505338
			570830		2385751
<b>DAF</b>	0867215R		571145		571788
	1487296		571775		
	1487296R		571776	<b>Volvo</b>	20466209
	1519158		571777		
	1523549			<b>PRO 431 001 0</b>	
	1523549R			<b>DAF</b>	1505115R
	867215				1505199R
<b>EvoBus</b>	A0234204918			<b>Scania</b>	1313819
<b>FAYMONVILLE</b>	84233				1313821
<b>LIEBHERR</b>	571538008				1313822
<b>MAN</b>	81504106608				1372909
	81504106609				1372910
	81504106610				1372911
<b>Scania</b>	1935401				1412859
	1935471				1412860
	2089719				1412860
<b>Schmitz Cargobull</b>	1020765				1446042
	1020766				1446043
<b>Terberg Benshop</b>	V1573854				1446048
<b>PRO 421 004 0</b>					1446049
<b>DAF</b>	1506390				1446050
<b>Scania</b>	1446052				1505334
<b>Volvo</b>	20986736				1505335
	20986737				1505336
<b>PRO 430 001 0</b>					1734796
<b>DAF</b>	1505114R				1903631
	1505198R				1935411
	1519176R				570834
<b>Scania</b>	1313803				570835
	1313813				570844
	1313829				570845
	1313830				571778
	1446036				571784
<b>PRO 432 001 0</b>					
<b>EvoBus</b>	A0114205818				20466070
	A0114205918				20466071
	A0144200018				20466072
	A0144200118				20466073
<b>Knorr-Bremse</b>	1137276				3197932
					3197933
					3987614
					8113459

Manufacturer No	Ref. No	Manufacturer No	Ref. No	Manufacturer No	Ref. No
	85000253		7420573922		85000635
<b>PRO 480 010 0</b>			7420573923		85003834
			7420721845	<b>PRO 491 001 0</b>	
<b>DAF</b>	1506681		7420809445		
	1519442		7421283616	<b>DAF</b>	1505463R
	1524581		7421283617		
	1530832		7421283618	<b>Renault</b>	20713921
	1530833		7421326201		20713922
			7421326202		22080435
<b>Mercedes-Benz</b>	A0204203318		7421401943		7420533196
	A0204203418		7421401944		7420533199
	A0204203518		7421596228		7420713921
	A0204203618		7421596229		7420713922
			7422080447		7420815460
<b>Rosenbauer</b>	542529		7422080448		7420974639
	542530		7424425719		7420974642
			7424425720		7421380908
<b>Scania</b>	2131116				7422080435
<b>PRO 481 012 0</b>		<b>Scania</b>	1935462	<b>Scania</b>	1935413
		<b>Terberg Benshop</b>	33185	<b>Volvo</b>	20533195
<b>DAF</b>	1519378		V21596226		20533196
			V21596227		20533197
<b>Mercedes-Benz</b>	A0154209318				20533198
	A0194205618	<b>Volvo</b>	20522028		20533199
	A0194205718		20522029		20533200
	A0234205318		20522030		21011720
	A0234205418		20522031		21011721
	A0234207018		20721845		21011722
	A0234207118		20721846		21011722
<b>PRO 481 050 0</b>			20721847		21027722
			20721847		21027725
<b>DAF</b>	1527168R		20742392		21027732
	1527601R		20742393		21027734
	1528230R		20742394		21794667
			20844352		21795851
<b>Renault</b>	20533213		20844353		21988040
	20573922		21283628		22067390
	20573923		21283629		22067391
	20809444		21323797		22080434
	20809445		21326199		22152604
	21283616		21326200		22303995
	21283617		21326203		22303997
	21283618		21423487		85000576
	21326197		21444612		85000580
	21326198		21596226		85000581
	21326201		21596227		85003171
	21326202		21752714	<b>PRO 491 002 0</b>	
	21596228		21752715		
	21596229		21869990	<b>Mercedes-Benz</b>	A0194209118
	22080447		22080445		A0194209218
	22080448		22080446	<b>PRO 491 003 0</b>	
	24425719		22273774		
	24425720		22273775	<b>Mercedes-Benz</b>	A0194207718
	7420522028		85000466		A0194207818
	7420522029		85000607		
	7420533213				

Manufacturer No	Ref. No	Manufacturer No	Ref. No	Manufacturer No	Ref. No
<b>PRO 491 004 0</b>			1270263	<b>Volvo</b>	20533210
			1519162		20533211
<b>MERITOR</b>	20533205	<b>EvoBus</b>	A0134206718		21569207
			A0134206818		21988037
<b>Paccar</b>	1529084				21994025
		<b>Goldhofer</b>	151118		21994026
<b>Volvo</b>	20533205				
<b>PRO 492 001 0</b>		<b>IVECO</b>	5010260188		
		<b>KÖGEL</b>	320136		
<b>Kamaz</b>	960-3519300	<b>MAN</b>	81.50410-6146		
<b>PRO 492 002 0</b>			81.50410-6674		
		<b>Mercedes-Benz</b>	0004209624		
<b>HINO</b>	S49UO-EOF60		0004209724		
	S49UO-EOJ20	<b>Renault</b>	5010260186		
<b>UD Trucks</b>	44320NA03A		5010260187		
	44320NA03B		5010260188		
<b>PRO 492 003 0</b>			5010260348		
			5010260349		
<b>Mercedes-Benz</b>	A0194208118	<b>Scania</b>	1935403		
	A0194208218		1935448	<b>PRO 499 001 0</b>	
	A0194209918			<b>MERITOR</b>	3276-X-1142
	A0204200018				3276-Y-1143
<b>PRO 492 005 0</b>				<b>Renault</b>	21994025
					5010216959
<b>GAZ</b>	9254920000				5010251265
<b>MAZ</b>	9254920000				5010260960
<b>Scania</b>	1446059				7421994025
	1734797				
<b>PRO 492 006 0</b>					
<b>DAF</b>	1526572				

# DOUBLE DIAPHRAGM SPRING BRAKE ACTUATOR

Double diaphragm spring brake actuator (DDSB) consists of service brake chamber and a spring brake chamber. The air pressure applied into the service chamber is converted into mechanical output force. The spring chamber provides the mechanical braking force to park the vehicle. In addition, a mechanical release arrangement is provided in the unit to release the parking brake after brake failure. ProVia offers a cost attractive, high performance spring brake actuators for commercial vehicles.

## About

- ProVia DDSB have an universal design to cover a wide range of OE applications
- Offers a significantly longer lifetime in terms of operating cycles and better corrosion resistance compared to many other budget actuators



Double Diaphragm Spring Brake Actuator Disc with Extension pipe



Double Diaphragm Spring Brake Actuator Cam

## Key Features

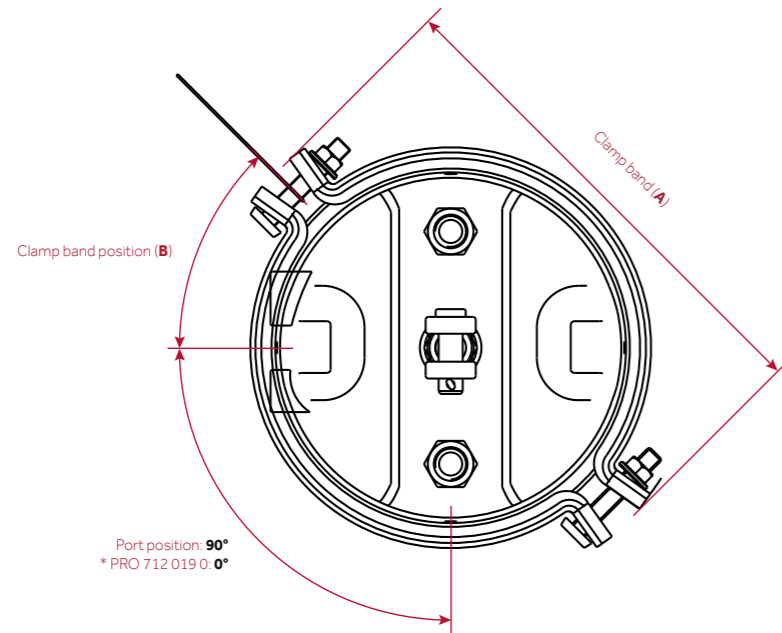
- Up to 1 million lifecycles for service chamber, up to 200,000 cycles on park chamber
- 96 hours corrosion resistance
- Working temperature: -40 °C to +80 °C
- Crimp design on spring brake chamber for customer safety
- Variants with yoke available
- Complying with required standards (TÜV, SAE, QCT)

FEATURE	OE ORIGINAL	PROVIA	AFTERMARKET AVERAGE*
Product life time Service chamber (cycles)			
Product life time Park chamber (cycles)			
Corrosio resistance (hours)			
Leakage (cm³/min)			

\* Average low specification alternative product

## ProVia Double Diaphragm Spring Brake Actuator Cam - Technical details

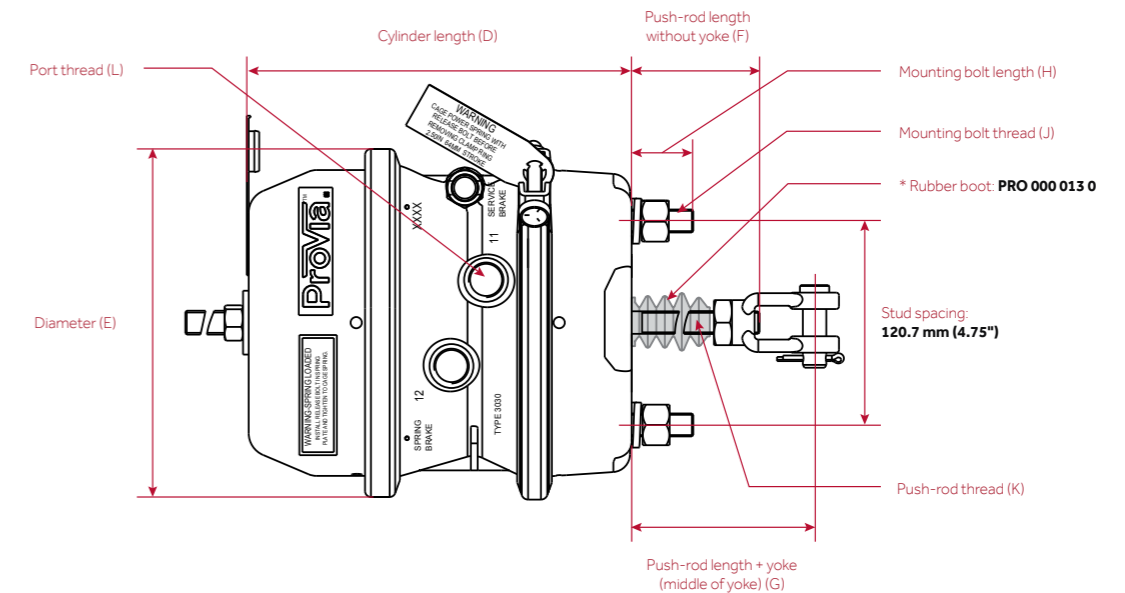
ProVia number	Size	Stroke	Yoke	Standard	Pressure		Clamp band (A)	Clamp band position (B)
					Working	Maximum		
PRO 000 006 0	30/30	63.5 mm	✓	QCT	8.0 bar	10.0 bar	262 mm	90°
PRO 000 007 0	30/30	76.2 mm	✓	QCT	8.0 bar	10.0 bar	262 mm	90°
PRO 000 008 0	20/30	76.2 mm	✓	SAE & TÜV	8.5 bar	10.0 bar	224 mm	45°
PRO 000 009 0	24/30	76.2 mm	✓	SAE & TÜV	8.5 bar	10.0 bar	234 mm	45°
PRO 000 010 0	30/30	76.2 mm	✓	SAE & TÜV	8.5 bar	10.0 bar	262 mm	45°
PRO 000 011 0	24/30	76.2 mm	–	SAE & TÜV	8.5 bar	10.0 bar	234 mm	45°
PRO 000 012 0	30/30	76.2 mm	–	SAE & TÜV	8.5 bar	10.0 bar	262 mm	45°
PRO 000 013 0	30/30	76.2 mm	–	SAE & TÜV	8.5 bar	10.0 bar	262 mm	45°
PRO 000 017 0	30/30	63.5 mm	✓	QCT	8.0 bar	10.0 bar	262 mm	45°
PRO 000 018 0	24/30	63.5 mm	✓	SAE	8.0 bar	10.0 bar	230 mm	45°
PRO 392 200 0	30/30	63.5 mm	✓	SAE	8.0 bar	10.0 bar	249 mm	90°
PRO 392 201 0	30/30	63.5 mm	✓	SAE	8.0 bar	10.0 bar	249 mm	45°
PRO 392 202 0	24/30	63.5 mm	✓	SAE	8.0 bar	10.0 bar	232 mm	45°
PRO 392 203 0	30/30	63.5 mm	✓	SAE	8.0 bar	10.0 bar	249 mm	40°
PRO 392 204 0	30/30	63.5 mm	✓	SAE	8.0 bar	10.0 bar	249 mm	40°
PRO 393 100 0	30/30	3.00"	✓	SAE	116 psi	145 psi	9.8"	45°
PRO 393 101 0	30/30	3.00"	✓	SAE	116 psi	145 psi	9.8"	45°
PRO 393 102 0	30/30	3.00"	✓	SAE	116 psi	145 psi	9.8"	45°
PRO 393 103 0	30/30	3.00"	✓	SAE	116 psi	145 psi	9.8"	45°
PRO 393 200 0	30/30	2.50"	✓	SAE	116 psi	145 psi	9.8"	45°
PRO 393 201 0	30/30	2.50"	✓	SAE	116 psi	145 psi	9.8"	45°
PRO 393 202 0	30/30	2.50"	✓	SAE	116 psi	145 psi	9.8"	45°
PRO 393 203 0	30/30	2.50"	✓	SAE	116 psi	145 psi	9.8"	45°
PRO 393 204 0	30/30	2.50"	✓	SAE	116 psi	145 psi	9.8"	45°
PRO 712 019 0 *	24/30	63.5 mm	✓	SAE	8.0 bar	10.0 bar	230 mm	45°



### ProVia Double Diaphragm Spring Brake Actuator Cam - Dimensions

ProVia number	Length (D)	Diameter (E)	Push-rod length (F)	Push-rod length + yoke (G)	Mounting bolt length (H)	Thread		
						Mounting bolt (J)	Push-rod (K)	Port (L)
PRO 000 006 0	227 mm	208.5 mm	230 mm	260 mm	38 mm	M16×1.5	M16×1.5	3/8-18 NPTF
PRO 000 007 0	256 mm	208.5 mm	187 mm	227 mm	38 mm	M16×1.5	M16×1.5	M16×1.5
PRO 000 008 0	261 mm	208.5 mm	198 mm	251 mm	43 mm	M16×1.5	M16×1.5	M16×1.5
PRO 000 009 0	261 mm	208.5 mm	226 mm	279 mm	38 mm	M16×1.5	M16×1.5	M16×1.5
PRO 000 010 0	268 mm	208.5 mm	235 mm	288 mm	38 mm	M16×1.5	M16×1.5	M16×1.5
PRO 000 011 0	261 mm	208.5 mm	226 mm	-	38 mm	M16×1.5	M16×1.5	M16×1.5
PRO 000 012 0	268 mm	208.5 mm	235 mm	-	38 mm	M16×1.5	M16×1.5	M16×1.5
PRO 000 013 0 *	268 mm	208.5 mm	235 mm	-	38 mm	M16×1.5	M16×1.5	M16×1.5
RRO 000 017 0	227 mm	208.5 mm	200 mm	230 mm	38 mm	5/8-11 UNC2A	5/8-18 UNF2A	3/8-18 NPTF
PRO 000 018 0	234 mm	208.5 mm	169 mm	222 mm	38 mm	M16×1.5	M16×1.5	M16×1.5
PRO 392 200 0	231 mm	206.0 mm	248 mm	279 mm	37 mm	5/8-11 UNC2A	5/8-18 UNF2A	3/8-18 NPTF
PRO 392 201 0	231 mm	206.0 mm	200 mm	230 mm	37 mm	5/8-11 UNC2A	5/8-18 UNF2A	3/8-18 NPTF
PRO 392 202 0	228 mm	206.0 mm	248 mm	279 mm	37 mm	5/8-11 UNC2A	5/8-18 UNF2A	3/8-18 NPTF
PRO 392 203 0	231 mm	206.0 mm	179 mm	211 mm	37 mm	M16×1.5	M16×1.5	3/8-18 NPTF
PRO 392 204 0	231 mm	206.0 mm	179 mm	211 mm	37 mm	M16×1.5	M16×1.5	M16×1.5
PRO 393 100 0	10.5"	8.21"	1.00"	2.25"	1.50"	5/8-11 UNC2A	5/8-18 UNF2A	3/8-18 NPTF
PRO 393 101 0	10.5"	8.21"	5.55"	6.80"	1.50"	5/8-11 UNC2A	5/8-18 UNF2A	3/8-18 NPTF

ProVia number	Length (D)	Diameter (E)	Push-rod length (F)	Push-rod length + yoke (G)	Mounting bolt length (H)	Thread		
						Mounting bolt (J)	Push-rod (K)	Port (L)
PRO 393 102 0	10.5"	8.21"	1.62"	2.88"	1.50"	5/8-11 UNC2A	5/8-18 UNF2A	3/8-18 NPTF
PRO 393 103 0	10.5"	8.21"	11.3"	12.60"	1.50"	5/8-11 UNC2A	5/8-18 UNF2A	3/8-18 NPTF
PRO 393 200 0	9.1"	8.11"	1.00"	2.25"	1.46"	5/8-11 UNC2A	5/8-18 UNF2A	3/8-18 NPTF
PRO 393 201 0	9.1"	8.11"	11.3"	12.50"	1.46"	5/8-11 UNC2A	5/8-18 UNF2A	3/8-18 NPTF
PRO 393 202 0	9.1"	8.11"	9.75"	11.00"	1.46"	5/8-11 UNC2A	5/8-18 UNF2A	3/8-18 NPTF
PRO 393 203 0	9.1"	8.11"	5.50"	6.80"	1.46"	5/8-11 UNC2A	5/8-18 UNF2A	3/8-18 NPTF
PRO 393 204 0	9.1"	8.11"	1.62"	2.87"	1.46"	5/8-11 UNC2A	5/8-18 UNF2A	3/8-18 NPTF
PRO 712 019 0	234 mm	208.5 mm	169 mm	222 mm	38 mm	M16×1.5	M16×1.5	M16×1.5



### ProVia Double Diaphragm Spring Brake Actuator Disc

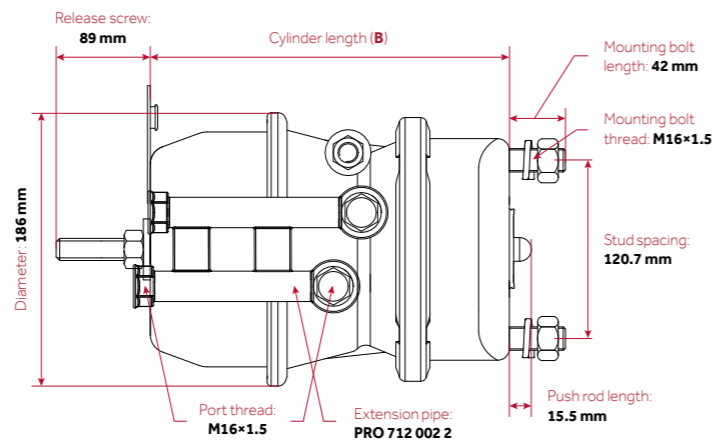
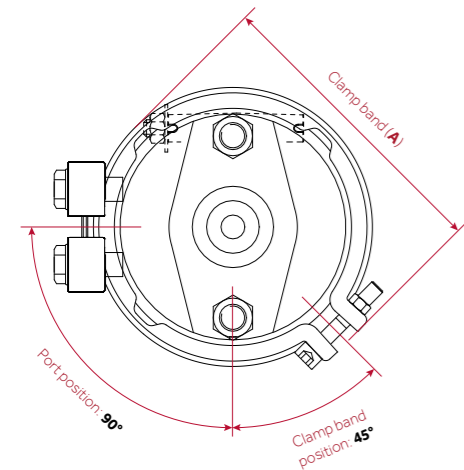
ProVia number	Size	Stroke	Extension pipe	Standard	Working pressure		Clamp band (A)	Length (B)
					Service brake	Spring brake		
PRO 712 712 0	16/24"	57.0 mm	-	SAE & TÜV	10.5 bar	8.5 bar	191 mm	235.5 ±5 mm
PRO 712 713 0	20/24"	63.5 mm	-	SAE & TÜV	10.5 bar	8.5 bar	197 mm	243.0 ±5 mm
PRO 712 715 0	16/24"	57.0 mm	PRO 712 002 2	SAE & TÜV	10.5 bar	8.5 bar	191 mm	235.5 ±5 mm
PRO 712 716 0	20/24"	63.5 mm	PRO 712 002 2	SAE & TÜV	10.5 bar	8.5 bar	197 mm	243.0 ±5 mm

# BRAKE PADS

Brake pads convert the kinetic energy of the vehicle to thermal energy by friction. The ProVia brake pad portfolio covers the most common air disc brakes in the market. Pad kits partially enriched by accessories ensure a safe fit in major applications in the market.

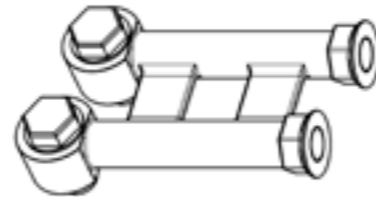
## Key Features

- Universal fit for one brake/size type
- Portfolio consisting of various pad kits covering major brakes in the market as KNORR, WABCO, Meritor, Haldex, Bendix, BPW, TEVES and over 350 OE references
- Validation according to ECE-R90 standards. In addition to ECE-R90, the brake pads undergo diverse additional tests including the proving of braking performance in several situations (e.g. high stress), targeting high comfort (e.g. pedal feedback) and ensuring reliability and lifetime of disc and pad



## The new ProVia pipe extension provide many benefits:

- **High standard of safety:** clear identification of parking and service ports by off-set positioning; avoiding incorrect connection.
- **Cost savings:** fast assembly due to the connections being led out from a cramped installation position. Therefore: the brake hose is easily connected.
- **Easy to handle:** fits even in restricted installation conditions. One of the most compact designs (combination of cylinder and pipe extension) on the market.



ProVia pipe extension  
PRO 712 002 2

## Cross References ProVia Double Diaphragm Spring Brake Actuator Disc

Manufacturer No	Ref. No	Manufacturer No	Ref. No	Manufacturer No	Ref. No
<b>PRO 712 712 0</b>		Schmitz Cargobull	122760	<b>PRO 712 715 0</b>	
BPW	05.444.40.01.0 05.444.40.02.0	<b>PRO 712 713 0</b>		BPW	05.444.40.01.3 05.444.40.02.3
Gigant	719001007	BPW	05.444.44.01.0 05.444.44.02.0	<b>PRO 712 716 0</b>	
Haldex	1363430001	Haldex	346187001 1352024004	BPW	05.444.44.01.3 05.444.44.02.3
Knorr-Bremse	K037970N00	Knorr-Bremse	BS7400 BS7401 BS7402 BS7403		
KÖGEL	6609441 6609442	SAF	4 454 1078 30 4 454 1079 30		
KRONE	550017680				
SAF	4 454 1072 30 4 454 1076 30				

FEATURE	OE ORIGINAL	PROVIA	AFTERMARKET AVERAGE*
Low wear of pad			
Low wear of discs			
Low noise and vibrations			
Friction coefficient			
Features			

\* Average low specification alternative product



## ProVia Brake Pads

ProVia number	WVA number	Brake application	Accessories
340 175 000 2	29285, 29088, 29091	WABCO PANT™17	6 springs
340 195 000 2	29313, 29126	WABCO PANT™19	6 springs
340 225 000 2	29336, 29162	WABCO PANT™22	6 springs
340 319 001 2	29181	Haldex DB19 - Renault	4 springs, 2 bolts and 2 clamps
340 319 003 2	29227	BPW TSB3709	4 springs, 2 plates, 2 roll pins, 2 pins, 2 washers and 2 rubber caps
340 319 004 2	29228	BPW TB4309	4 springs, 2 plates, 2 roll pins, 2 pins, 2 washers and 2 rubber caps
340 319 005 2*	29298, 29299	Knorr-Bremse SL7 - Mercedes	4 springs
340 319 006 2*	29300, 29301	Knorr-Bremse SM7 - Mercedes	4 springs
340 322 000 2	29279	WABCO MAXX™22	6 springs
340 901 050 2	29183, 29115, 29148	KNORR SN 5, SB5	4 springs, 2 bolts, 2 splints, 2 washers, 2 small plastic caps, 2 big plastic caps
340 901 060 2	29095, 29093	KNORR SN6, SB6	4 springs, 2 bolts, 2 splints, 2 washers, 2 small plastic caps, 2 big plastic caps
340 901 061 2	29306, 29165	BPW / KNORR SN6	4 springs, 2 bolts, 2 splints, 2 washers, 2 small plastic caps, 2 big plastic caps
340 901 070 2	29202, 29059, 29061, 29087, 29106, 29108, 29253, 29278	KNORR SN7, SB7	4 springs, 2 bolts, 2 splints, 2 washers, 2 small plastic caps, 2 big plastic caps
340 901 071 2	29308, 29171	BPW / KNORR SK7	4 springs, 2 bolts, 2 splints, 2 washers, 2 small plastic caps, 2 big plastic caps
340 901 072 2	29307, 29167	BPW / KNORR SN7	4 springs, 2 bolts, 2 splints, 2 washers, 2 small plastic caps, 2 big plastic caps
340 901 073 2	29269, 29158	KNORR SK7	4 springs, 2 bolts, 2 splints, 2 washers, 2 plastic caps
340 902 000 2	29277, 29125	Meritor D-DUCO	4 springs, 2 screws
340 902 001 2	29090	Meritor D-LISA	2 springs, 8 small springs, 8 bolts
340 902 002 2	29030, 29053, 29083, 29084, 29113, 29114	Meritor D3, D-ELSA 1	6 springs
340 902 003 2	29131	Meritor D-ELSA 2	6 springs
340 902 004 2	29124	Meritor DX 195	4 springs, 2 bolts, 2 splints, 2 screws, 2 washers
340 902 005 2	29067, 29039, 29302	Meritor	-
340 902 191 2	29177	Meritor VGT 195	-
340 902 192 2	29100	Meritor C-LISA	-
340 902 220 2	29173	Meritor ELSA 225-1	-
340 902 221 2	29174	Meritor ELSA 225-3	-
340 902 222 2	29137	Meritor C-DUCO	-
340 902 223 2	29151	Meritor, DLE-DUCO	-
340 903 220 2	29143	Bendix ESD225, Haldex DB22	2 spring brackets, 4 springs, 4 bolts, 2 caps
340 904 000 2	29122	Brembo 2x60	-

ProVia number	WVA number	Brake application	Accessories
340 904 001 2	29160	Brembo	-
340 904 002 2	29121	Brembo	-
340 904 003 2	29835	Teves	-
340 904 004 2	29581	ATE	-
340 904 005 2	29984	Bendix	-

\*VARIANT IS NOT INTENDED FOR (RE)SALE IN GERMANY AND WILL NOT BE DELIVERED TO GERMANY.

## Cross References ProVia Brake Pads

Manufacturer No	Ref. No	Manufacturer No	Ref. No	Manufacturer No	Ref. No
<b>3401750002</b>		<b>3403190062</b>		<b>Gigant</b>	9291072
<b>DAF</b>	1436901	<b>Mercedes-Benz</b>	A0064201420		9291073
<b>IVECO</b>	1906467	<b>3403220002</b>		<b>IVECO</b>	2992336
	2996430	<b>MAN</b>	81508206065		2996468
	500055372		81508206066	<b>MAN</b>	81508205017
<b>MAN</b>	81508206006	<b>3409010502</b>			81508205094
	81508206020	<b>MAN</b>	81508205085		81508206008
	81508206042		81508206043		81508206022
<b>Renault</b>	5001866951		81508206054		81508206058
	5010848607	<b>Mercedes-Benz</b>	14210510		81508206059
<b>3401950002</b>			14210610	<b>Mercedes-Benz</b>	81508206060
<b>DAF</b>	1628064		14212510		14211710
<b>Dennis</b>	6597421		14212610		24207820
<b>SAF</b>	3057008000		34201120		24207920
	3057008001		34201220		4210710
<b>3402250002</b>			34206620		4210810
<b>SAF</b>	3057008400		34207220		4215010
	3057008401		34207320		54202320
<b>Schmitz Cargobull</b>	101449		4211010		A0004210710
	1195232		4211210		A0004210810
<b>3403190012</b>			44206120		A0004215010
<b>Renault</b>	5001866914		A0004211010		A0014211710
<b>3403190032</b>			A0004211210		A0024207820
<b>BPW</b>	0980107550		A0014210510		A0024207920
<b>3403190042</b>			A0014210610		A0054202320
<b>3403190042</b>			A0014212510	<b>SAF</b>	3057007800
<b>BPW</b>	0980107570		A0014212610		3057007801
<b>3403190052</b>			A0034201120		5317002400
<b>Mercedes-Benz</b>	A0064201520		A0034201220	<b>3409010612</b>	
			A0034206620		
			A0034207220	<b>BPW</b>	509290040
			A0034207320		509290050
			A0044206120		509290100
<b>3409010602</b>					509290220
<b>Fruehauf</b>	M91000101				980102750
					980102930



Manufacturer No	Ref. No	Manufacturer No	Ref. No	Manufacturer No	Ref. No
	980106210		A0034203520		5001865750
	980106350		A0044202220	<b>Volvo</b>	20825594
	980106430		A0044206020		20850194
	980107090	<b>Neoplan</b>	82135100		3093919
	980107240	<b>Prevost</b>	N8893599		85105485
	980108150				85506111
<b>3409010702</b>		<b>SAE-SMB</b>	M100669	<b>3409020022</b>	
<b>Bova</b>	204552		M91004501	<b>EvoBus</b>	82854085340
<b>BPW</b>	536270020	<b>SAF</b>	3057007700	<b>KÄSSBOHRER</b>	68320504NGZ
	980102570		3057007701		8285388435
	980102920		3057007900		8285388533
	980106360		5317002300		8285408463
<b>DAF</b>	1439324	<b>Scania</b>	1390428		8285408534
	1617343		1521979		8285521000
	1797053		1527633		8285522000
	1800830		1734529		8285525000
	1878030	<b>Schmitz Cargobull</b>	1182462		8285526000
<b>IVECO</b>	2992348	<b>3409010712</b>		<b>MAN</b>	81508205006
	2992476				81508205020
	2995637	<b>BPW</b>	509290060		81508205040
	2995809		509290080		81508205047
	2995819		509290230		81508205060
	2995938		980106440		81508205064
	2996378		980106950		81508205066
	2996515		980107260		81508205068
	41211278		980108160		81508205078
	41212279	<b>3409010722</b>			81508205087
<b>KÄSSBOHRER</b>	8285515573				81508205091
<b>MAN</b>	81508206030	<b>BPW</b>	509290070		81508206000
	81508206032		509290090		81508206002
	81508206033		980106200		81508206004
	81508206055		980106450		81508206014
	81508206056		980106960		81508206016
	81508206061		980107250		81508206025
			980108170		81508206034
<b>Mercedes-Benz</b>	2420222010	<b>3409010732</b>			81508206036
	24204920				81508206044
	34201620	<b>Mercedes-Benz</b>	44207020		81508206046
	34202020		A0044207020		81508206046
	34202220	<b>SAF</b>	3057008500		8150820646
	34203520		3057008501	<b>Mercedes-Benz</b>	24200820
	4210510	<b>3409020002</b>			24205520
	4214310				34208420
	44202220	<b>Volvo</b>	20768092		A0024200820
	44206020		20918891		A0024205520
	A0004210510		20931343		A0034208420
	A0004214310		209313430	<b>MERITOR</b>	MDP5038
	A0024202010		20932682		MDP5065
	A0024204920	<b>3409020012</b>		<b>Renault</b>	5001823000
	A0034201620				5001854342
	A0034202020	<b>Renault</b>	5001846034		
	A0034202220				

Manufacturer No	Ref. No	Manufacturer No	Ref. No	Manufacturer No	Ref. No
<b>Setra</b>	8285388435	<b>3409022202</b>		<b>3409040022</b>	
<b>3409020032</b>		<b>Renault</b>	5001864365	<b>IVECO</b>	1906401
<b>Irisbus</b>	2996068		7421399915		2992339
	5001020312	<b>Volvo</b>	20560414		42535791
	5006028410		20568712	<b>Renault</b>	5001844747
<b>IVECO</b>	5006028410		20568715		5001850859
	503136113	<b>3409022212</b>		<b>3409040032</b>	
	503142454			<b>Mercedes-Benz</b>	14201520
<b>MAN</b>	81508205072	<b>Renault</b>	5001864363		24205720
	81508205080		5001864364		24206220
	81508206041		7421399929		34201520
	81508206051	<b>Volvo</b>	20526568		34204420
	81508206052		20560412		34207720
<b>MERITOR</b>	68324558		20568711		44204820
	68325346		20568714		6694200020
	68326015		21024701		6694200120
<b>Renault</b>	5001020312		21024702		6704202820
	5001855646		21352570		9054200020
<b>Rockwell</b>	15227419T	<b>3409022222</b>			A0014201520
	68324558N2P				A0024205720
<b>Volvo</b>	20976509	<b>Volvo</b>	20768115		A0024206220
	21309468		3093532		A0034201520
	85107768	<b>3409022232</b>			A0034204420
<b>3409020042</b>					A0034207720
<b>MERITOR</b>	MDP1314	<b>Volvo</b>	20768101		A0044204820
	MDP5076		3099533		A6694200020
<b>3409020052</b>			3198394		A6694200120
<b>IVECO</b>	1906043	<b>3409032202</b>		<b>3409040042</b>	
	1906146			<b>Mercedes-Benz</b>	14200920
	1906297	<b>Gigant</b>	M91002703		14209220
<b>Nissan</b>	410609X425		M91002704		15866342
<b>Renault</b>	5001014704	<b>SAE-SMB</b>	9291063		34203620
	5001825339		M91002704	<b>SAF</b>	34207420
	5001873218	<b>3409040002</b>			4207520
<b>3409021912</b>				<b>Scania</b>	A0004207520
<b>Renault</b>	5001864380	<b>IVECO</b>	1906416		A0014200920
	7420560415		42555669		A0014209220
	7421496557	<b>3409040012</b>			A0015866342
<b>Volvo</b>	20568713				A0034203620
	20765963	<b>Mercedes-Benz</b>	34204620		A0034207420
	21496552		A0034204620	<b>3409040052</b>	
<b>3409021922</b>		<b>Nissan</b>	41060MB225		41060G490A
<b>Renault</b>	5001833104		41060MB625		5000295329
	5001857615	<b>Renault</b>	5001844748		5000815574
	68321585				69052941
					7701203700



# AIR PROCESSING

AIR DRYER • ELECTRICALLY CONTROLLED AIR DRYER • AIR PROCESSING UNIT •  
HEATER CARTRIDGE • MULTIPLE CIRCUIT PROTECTION VALVE • QUADRUPLE CIRCUIT  
PROTECTION VALVE • PRESSURE LIMITING VALVE • COMPRESSOR CYLINDER HEAD

# AIR DRYER

Air dryers are installed between the air compressor and the reservoir on commercial trucks and buses. They are designed to filter out humid air and other contaminants before they are able to reach the vehicle's downstream pneumatic systems.

## Key Features

- Universal design which covers multiple OE applications
- Produced in Europe for global market needs
- Installed with a ProVia cartridge (M39×1.5 right-hand thread, easy assembly and disassembly)
- High corrosion resistance thanks to surface protection
- Separate ProVia heater available as an option
- Working pressure: 13 bar



FEATURE	OE ORIGINAL	PROVIA	AFTERMARKET AVERAGE*
Security valve opening pressure (bar)			
Cartridge drying performance			
Corrosion resistance (hours)			

\* Average low specification alternative product

ProVia number	Unloader	Cut out pressure	Operational range	Ports	ProVia heater	Remark
PRO 122 005 0	–	12.0 ±0.2 bar	1.4 ±0.4 bar	<b>1, 21:</b> M22×1.5; <b>22:</b> M12×1.5; <b>3:</b> silencer	PRO 410 920 2	
PRO 122 006 0	–	9.0 ±0.3 bar	1.3 ±0.4 bar	<b>1, 21:</b> M22×1.5; <b>22:</b> M12×1.5; <b>3:</b> silencer	PRO 410 920 2	
PRO 122 007 0	–	10.0 ±0.2 bar	1.0 <sup>+0.5</sup> <sub>-0.0</sub> bar	<b>1:</b> M22×1.5; <b>21:</b> M22×1.5 (Voss); <b>22:</b> M16×1.5 (Voss); <b>3:</b> silencer	PRO 410 920 2	
PRO 122 008 0	–	≤13 bar	–	<b>1, 21:</b> M22×1.5 (Voss); <b>22:</b> M16×1.5 (Voss); <b>4, 23:</b> M16×1.5 (Voss); <b>3:</b> silencer	PRO 410 920 2	
PRO 122 019 0	–	8,5 ±0,5 bar	4,3 ±0,5 bar	<b>1, 21:</b> 1/2"-14 NPTF; <b>4:</b> 1/4"-18 NPTF <b>31:</b> Exhaust (Safety valve); <b>3:</b> Exhaust	375 260 046 2 (included)	Air Dryer Set

ProVia number	Unloader	Cut out pressure	Operational range	Ports	ProVia heater	Remark
PRO 400 001 0	✓	12.0 ±0.3 bar	1.5 ±0.5 bar	<b>11, 21, 24:</b> M22×1.5; <b>22, 23:</b> M16×1.5; <b>12:</b> M12×1.5; <b>4, 25:</b> M10×1.0	PRO 400 920 2	
PRO 400 002 0	✓	10.0 ±0.2 bar	1.3 ±0.4 bar	<b>11, 21, 24:</b> M22×1.5; <b>22, 23:</b> M16×1.5; <b>12:</b> M12×1.5; <b>4, 25:</b> M10×1.0	PRO 400 920 2	
PRO 410 001 0	–	12.5 ±0.3 bar	1.5 ±0.5 bar	<b>1, 21, 22:</b> M22×1.5	PRO 410 920 2	
PRO 410 002 0	–	9.1 ±0.3 bar	1.3 ±0.4 bar	<b>1, 21, 22:</b> M22×1.5; <b>4, 23:</b> M12×1.5	–	
PRO 410 003 0	–	8.3 ±0.3 bar	1.3 ±0.4 bar	<b>1, 21:</b> M22×1.5; <b>4, 22, 23:</b> M12×1.5	PRO 410 920 2	
PRO 410 004 0	–	12.5 ±0.3 bar	1.5 ±0.5 bar	<b>1, 21:</b> M22×1.5; <b>22:</b> M16×1.5	PRO 410 920 2	

## Cross References ProVia Air Dryer

Manufacturer No	Ref. No	Manufacturer No	Ref. No	Manufacturer No	Ref. No
<b>PRO 122 005 0</b>		Otokar	12F00-08085-AA	<b>PRO 122 020 0</b>	
DAF	1505034			Foton	1120835680050
	1517965	<b>PRO 122 007 0</b>		Golden Dragon	35ACC-03512
	1518674	Knorr-Bremse	LA8209	Shenlong	135000500005
	1505033R	MAN	81521026098	Sunwin	SWB563050199
Irisbus	8137622		81521026100	YUTONG	352900019
	8160475	Neoplan	81521026098	<b>PRO 122 021 0</b>	
IVECO	8160471	<b>PRO 122 008 0</b>		Beiben	509-431-00-15
	8160475	DAF	1517978	CNHTC	AZ87355500100
	4324100350	EvoBus	A0014312215		WG9000360521/1
	08137622	Knorr-Bremse	K023357		WG9000360521/2
Paccar	1505034	Mercedes-Benz	A0014312215	JAC	59551-Y43G6
<b>PRO 122 006 0</b>		<b>PRO 122 019 0</b>		Sunwin	SWB563050137
DAF	1517964	Tectran	AT955205	<b>PRO 400 001 0</b>	
	1517970	<b>PRO 122 019 0</b>		DAF	1505119
EvoBus	A0014312315	Automann	170.955.205		1506409
Irisbus	42079486	Midwest	WAR955205		1506410
IVECO	110450	S&S	S-13728		1518168
	42079486	SORL	RL3511ES		1519202R
	42079586	VIE	V955205		1526796
	9010099029				
Mercedes-Benz	A0014312315				

Manufacturer No	Ref. No	Manufacturer No	Ref. No	Manufacturer No	Ref. No
<b>EvoBus</b>	A0004301215		81521026219		81521026027
	A0004301315		81521026223		81521026048
	A0004302915		81521026367		88521026001
	A0004303015		81521026368		99100360454
	A0004309815		81521026369		99100360471
			81521026399		
<b>IVECO</b>	500070484			<b>Mercedes-Benz</b>	8285407000
					A0004318815
<b>Knorr-Bremse</b>	II38308FN00	<b>PRO 410 002 0</b>			
	K024634N00		<b>MAN</b>	<b>Neoplan</b>	11017447
	LA9034		2T0607373F		502657308
		<b>PRO 410 003 0</b>			
<b>Mercedes-Benz</b>	A0004301215		<b>DAF</b>	<b>Nissan</b>	47540D6400
	A0004301315		1505967		
	A0004302915		1517963	<b>Scania</b>	1932680
	A0004303015		<b>EvoBus</b>	<b>Solaris</b>	1102734000
	A0004309815		8285407000		
			<b>Goldhofer</b>	<b>Volvo</b>	1183403
			254559		
<b>PRO 400 002 0</b>			<b>IVECO</b>	<b>PRO 410 004 0</b>	
			500004419		
<b>EvoBus</b>	A0004301515		7000343220	<b>DAF</b>	1517967
			980829		
<b>Mercedes-Benz</b>	A0004301515		981819	<b>Knorr-Bremse</b>	LA6222
					LA8211
					LA8212
					LA8254
<b>PRO 410 001 0</b>			<b>John Deere</b>	<b>MAN</b>	81521026024
			AL202707A		81521026097
<b>Knorr-Bremse</b>	K017710		<b>Knorr-Bremse</b>		
	LA8542		II30448		
			LA8234		
<b>MAN</b>	2V5607373C		<b>MAN</b>		
	81521026209		2TA607349		

# ELECTRICALLY CONTROLLED AIR DRYER

Electrically Controlled Air dryers are installed between the air compressor and the reservoir on commercial trucks and buses. They are designed to filter out humid air and other contaminants before they are able to reach the vehicle's downstream pneumatic systems.

## Key Features

- Universal design which covers multiple OE applications
- Produced in Europe for global market needs
- Installed with a ProVia cartridge (M39×1.5 right-hand thread, easy assembly and disassembly)
- High corrosion resistance thanks to surface protection
- Separate ProVia heater available as an option
- Working pressure: 13 bar



FEATURE	OE ORIGINAL	PROVIA	AFTERMARKET AVERAGE*
Security valve opening pressure (bar)			
Cartridge drying performance			
Corrosion resistance (hours)			

\* Average low specification alternative product

ProVia number	Max. pressure	Ports	ProVia heater
PRO 122 400 0	13 bar	1, 21: M22x1.5; 12: M16x1.5; 4: M12x1.5	PRO 400 920 2

### Cross References ProVia Electrically Controlled Air Dryer

Manufacturer No	Ref. No	Manufacturer No	Ref. No
<b>PRO 122 400 0</b>		Volvo	20873849
			20700794
DAF	882965		20466522
	883259		20884103
	905341		21398254
Paccar	883259		21480094
	905341		21620172
Scania	1932701		21480092
			21620170
UD Trucks	47500NA04B		
VDL	30157175		

ProVia number	Max. operating pressure	Thermal operating range	Optional ProVia heater
PRO 100 100 0	≤13 bar	-40 °C to 80 °C	PRO 400 920 2

### Cross References ProVia Air Processing Unit

Manufacturer No	Ref. No	Manufacturer No	Ref. No	Manufacturer No	Ref. No
<b>PRO 100 100 0</b>			A0014316815	<b>PRO 122 018 0</b>	
			A0014317815		
DAF	1505230		A0014317915	DFLQ	9325001130
EvoBus	1935482		A0014318115	FAW	3515020-73A
	A0014318115		A0014318215		3515020-73A/C
	A0024310415		A0024310415		3515020-73AWA
	A0024310515		A0024310515		3515020-73B
	A0024310615		A0024310615		
	A0024310715		A0024310715		
	A0024311515		A0024311515		
	A0024313815		A0024313815		
Ford	6C462A131AA	Renault	5021171136		
			5021175244		
Knorr-Bremse	1135530	Scania	1935483		
	1135530170			<b>PRO 122 017 0</b>	
	1135531			DFLQ	9325001120
	1138310F				K000574
	1138310F170				RY3332VX-3543010
	1138310FN00			JAC	3513100Y41J4
	1138311F			Shandong Auto	EZ9A069361005
	1138311F170				
Mercedes-Benz	A0014316415				
	A0014316515				

# AIR PROCESSING UNIT

The ProVia air processing unit (APU) is a two-part system comprising a ProVia air dryer and a ProVia multi-circuit protection valve. It will dry and clean air supplied by the compressor, adjust pressure for the respective load circuits and provide overload protection.

### Key Features

- Secures the pressure of the individual load circuits relative to each other and relative to atmospheric pressure
- In cases of circuit failure, will maintain pressure in the other circuits at the prescribed level. Subsequent operation of the system will allow pressurize circuits to be refilled to the opening pressure of the failed circuit
- Longer life component with significantly better drying performance and reliability when tested against other budget brands



FEATURE	OE ORIGINAL	PROVIA	AFTERMARKET AVERAGE*
Security valve opening pressure (bar)			
Cartridge drying performance			
Corrosion resistance (hours)			

\* Average low specification alternative product

# HEATER

A heater can be fitted to an air dryer and air processing unit as an option. ProVia recommends the use of a heater as part of the air dryer system, ensuring the system operates at a normal operating temperature and to protect it in low temperature.

## Key Features

- Separate heaters can be ordered as an option
- Produced in Europe for global market needs
- High power efficiency
- Designed to fit between heater and body connection
- 70W



FEATURE	OE ORIGINAL	PROVIA	AFTERMARKET AVERAGE*
Power efficiency			
Heater fitting with air dryer body			
Power (W)			

\* Average low specification alternative product

## Application

ProVia number	
Air Dryer / Air Processing Unit	Heater
PRO 122 005 0	PRO 410 920 2
PRO 122 006 0	PRO 410 920 2
PRO 122 007 0	PRO 410 920 2
PRO 122 008 0	PRO 410 920 2
PRO 400 001 0	PRO 400 920 2
PRO 400 002 0	PRO 400 920 2
PRO 410 001 0	PRO 410 920 2
PRO 410 002 0	-
PRO 410 003 0	PRO 410 920 2
PRO 410 004 0	PRO 410 920 2
PRO 100 100 0	PRO 400 920 2



PRO 400 920 2  
PRO 410 920 2

# CARTRIDGE

Inside the pneumatic system, the air dryer cartridge is an important, safety- relevant component. Installed between the compressor and reservoirs a cartridge is the first line of defense protecting a vehicles air system.

## Key Features

- Outstanding performance in the budget cartridge business thanks to high quality moisture absorbing material
- ProVia is able to serve multiple OEM cross references in different vehicle applications
- ProVia cartridges pass to all long distance vehicle applications
- Recommended mainly long distance operation without much stop-and-go, braking, etc.
- Different cartridges based on water/oil separation, drying performance and thread size
- Cartridges prevent humid air entering into the system protecting it from corrosion and freezing



FEATURE	OE ORIGINAL	PROVIA	AFTERMARKET AVERAGE*
Drying performance			
Desiccant material			
Oil filtering coalescing cartridge			

\* Average low specification alternative product

ProVia number	PRO 124 002 2	PRO 010 200 2	PRO 124 000 2	PRO 124 701 2
Product				
Technology	Standard	Standard	Standard	Coalescing
Filter	Water	Water	Water	Water, Oil
Operating pressure	≤10 bar	≤13 bar	≤14 bar	≤13 bar
Port	M39×1.5 right-hand thread	M39×1.5 right-hand thread	M41×1.5 right-hand thread	M39×1.5 right-hand thread
Applications				



ProVia number	PRO 124 702 2	PRO 124 703 2	PRO 124 704 2	PRO 124 705 2
Product				
Technology	Coalescing	Coalescing	Coalescing	Coalescing
Filter	Water, Oil	Water, Oil	Water, Oil	Water, Oil
Operating pressure	≤14 bar	≤14 bar	≤14 bar	≤14 bar
Port	G 1 ¼ right-hand thread	M 39 x 1,5 left-hand thread	M 41 x 1,5 right-hand thread	M 41 x 2 right-hand thread
Applications				

### Cross References ProVia Compact Cartridge

Manufacturer No	Ref. No	Manufacturer No	Ref. No	Manufacturer No	Ref. No
<b>PRO 124 000 2</b>		<b>RENAULT</b>	1384549	<b>VOLVO</b>	20754416
DAF	1391510	<b>SCANIA</b>	1774598		21267818LH
	1439553		1932720		21267818
Knorr-Bremse	II41300F		2562323	<b>PRO 124 704 2</b>	21602385
Scania	SP1037105	<b>SCHWARZMÜLLER</b>	93184	DAF	1681575
<b>PRO 124 702 2</b>		<b>PRO 124 703 2</b>			1821580
DAF	1526541	<b>RENAULT</b>	5001865404		1891431
HINO	S47ABEV060		7421267793	<b>SCANIA</b>	2131091
PACCAR	1526541	<b>SCANIA</b>	7421602383	<b>PRO 124 705 2</b>	
			2131090	DAIMLER	A0004292097

# MULTIPLE CIRCUIT PROTECTION VALVE

Inside the pneumatic system, The multiple circuit protection valve (MCPV) from ProVia provides pressure protection in multi-circuit braking systems. Used in a truck braking system, an MCPV distributes compressed air, adjusts pressure to the respective circuits and protects healthy circuits in cases of circuit failure.

### Key Features

- Wide functionality including bleedback utility, pressure-limiting valve, and a bypass function between ports 21 and 22
- Fully compatible with ProVia air dryers
- Sensor-equipped for pressure level monitoring
- Max. operating pressure ≤13 bar.
- Thermal operating range for continuous operation: -40 °C to 80 °C



FEATURE	OE ORIGINAL	PROVIA	AFTERMARKET AVERAGE*
Corrosion resistance (hours)			
Leakage at rapid test (cm³ / min)			
Leakage +80°C (cm³/ min)			
Product lifetime			

\* Average low specification alternative product

ProVia number	Opening pressure	Closing pressure	Pressure limiting
PRO 934 005 0	9.0 bar (circuit 1+2) 7.5 bar (circuit 3+4)	≥7.0 bar (circuit 1+2) ≥4.5 bar (circuit 3+4)	10.0 bar (circuit 1+2) 8.5 bar (circuit 3+4)

Manufacturer No	Ref. No	Manufacturer No	Ref. No	Manufacturer No	Ref. No
<b>PRO 934 005 0</b>			II37680004		A0034316806
			II37680N50	<b>Renault</b>	5021170905
DAF	1505128	<b>MAN</b>	ZG046430002	<b>Sanwa Seiki</b>	1571020002
	1519211R	<b>Mercedes-Benz</b>	A0034315406	<b>Scania</b>	1935509
EvoBus	A0034315706		A0034315706		1935510
Knorr-Bremse	II37680		A0034316106		





FEATURE	OE ORIGINAL	PROVIA	AFTERMARKET AVERAGE*
Corrosion resistance (hours)			
Leakage -40 °C (cm³/ min)			
Leakage +80 °C (cm³/ min)			

\* Average low specification alternative product

## ProVia Pressure Limiting Valve

ProVia number	Pressure (bar)			Port 1, 2	Adjustable
	Max.	Supply	Delivery		
PRO 010 300 0	20.0	10.0	8.5	M22×1.5	✓
PRO 010 301 0	20.0	12.5	10.0	M22×1.5	✓
PRO 010 302 0	20.0	7.5	5.3	M22×1.5	✓
PRO 010 314 0	20.0	10.0	7.0	M22×1.5	✓
PRO 010 317 0	20.0	12.0	6.5	M22×1.5	✓
PRO 010 318 0	20.0	12.0	8.0	M22×1.5	✓
PRO 010 332 0	20.0	10.0	3.5	M22×1.5	✓
PRO 010 333 0	20.0	12.5	9.3	M22×1.5	✓
PRO 015 004 0	20.0	8.0	3.5	M16×1.5	-
PRO 015 005 0	20.0	12.0	8.0	M16×1.5	-
PRO 015 026 0	15.0	8.0	2.5	M16×1.5	-
PRO 015 068 0	14.0	10.0	9.0	M16×1.5	-
PRO 015 072 0	15.0	11.0	8.5	M16×1.5	-
PRO 015 073 0	15.0	10.0	7.5	M16×1.5	-
PRO 015 512 0	20.0	8.5	5.5	M16×1.5	-
PRO 643 001 0	20.0	16.0	7.4	M16×1.5	-

ProVia number	Pressure (bar)			Port 1, 2	Adjustable
	Max.	Supply	Delivery		
PRO 643 031 0	20.0	11.0	7.5	M16×1.5	-
PRO 643 037 0	20.0	11.0	9.5	M16×1.5	-
PRO 643 083 0	20.0	12.0	8.0	M16×1.5	-
PRO 643 307 0	20.0	8.0	1.8	M22×1.5	-
PRO 643 308 0	20.0	10.0	7.8	M22×1.5	-
PRO 643 325 0	20.0	8.0	4.6	M22×1.5 Voss	-
PRO 643 328 0	20.0	10.0	2.5	M22×1.5 Voss	-
PRO 643 330 0	20.0	12.0	6.5	M22×1.5 Voss	-
PRO 643 331 0	20.0	12.0	8.0	M22×1.5 Voss	-
PRO 643 335 0	20.0	10.0	8.5	M22×1.5 Voss	-
PRO 643 339 0	20.0	12.3	8.5	M22×1.5 Voss	-
PRO 643 500 0	20.0	8.0	6.5	M16×1.5	-

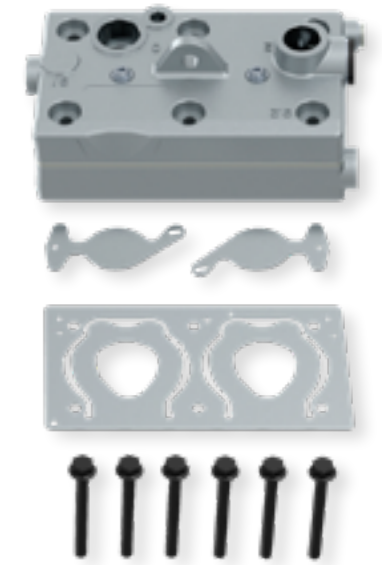
## Cross References ProVia Pressure Limiting Valve

Manufacturer No	Ref. No	Manufacturer No	Ref. No	Manufacturer No	Ref. No
<b>PRO 010 300 0</b>		Scania	1935018	<b>PRO 010 317 0</b>	
Daewoo	3454402440	Tatra	4750103010	DAF	1518116
DAF	1505392	<b>PRO 010 302 0</b>		MAN	81521016284
Hyundai	594507C700	DAF	1406784	<b>PRO 010 318 0</b>	
MAN	1260667 81521016269	Knorr-Bremse	I61236	DAF	1531568
<b>PRO 010 301 0</b>		Scania	2090272	MAN	81521016287
Daewoo	4750103010	<b>PRO 010 314 0</b>		Mercedes-Benz	A0044299644
DAF	1518113	DAF	1518115	<b>PRO 010 332 0</b>	
MAN	81521016270	MAN	81521016283	Mercedes-Benz	A0054290344
Paccar	1518113	Mercedes-Benz	A0054290444	<b>PRO 010 333 0</b>	
				DAF	1531548

Manufacturer No	Ref. No	Manufacturer No	Ref. No	Manufacturer No	Ref. No
MAN	81521016295	Scania	1935026	<b>PRO 643 308 0</b>	
Paccar	1528899	Volvo	20382312 21339179	FAUN	99707766160
<b>PRO 015 004 0</b>		<b>PRO 015 073 0</b>		KRONE	9454010
DAF	1517895	Volvo	21339181	Paccar	1658313
IVECO	5006002630	<b>PRO 015 512 0</b>		<b>PRO 643 325 0</b>	
Knorr-Bremse	481009014000 DB1151	DAF	906782	DAF	1518117
MAN	81521016153	Mercedes-Benz	A0034318906	MAN	81521016285
Mercedes-Benz	A0024311206	Paccar	906782	Tatra	4750103250
Neoplan	11017339 110243200	<b>PRO 643 001 0</b>		<b>PRO 643 328 0</b>	
Paccar	1517895	Knorr-Bremse	481009022000	MAN	81521016294
Scania	1935023	MAN	81521016150	<b>PRO 643 330 0</b>	
<b>PRO 015 005 0</b>		Mercedes-Benz	A0034310106	Mercedes-Benz	A0054293244
DAF	1505095	Paccar	1505094	<b>PRO 643 331 0</b>	
Knorr-Bremse	481009029 481009029000 AC156B DB1155	Scania	1935021	Mercedes-Benz	A0044299644
MAN	82521016036	<b>PRO 643 031 0</b>		<b>PRO 643 335 0</b>	
Mercedes-Benz	A0024312406	DAF	1505096	EvoBus	A0054297444
Paccar	1505095	IVECO	04780200	Mercedes-Benz	A0054297444
Renault	5021170206	Knorr-Bremse	AC156A	<b>PRO 643 339 0</b>	
Scania	1935024	Paccar	1505096	Mercedes-Benz	A0054298544
<b>PRO 015 026 0</b>		<b>PRO 643 037 0</b>		<b>PRO 643 500 0</b>	
Volvo	21076527	Knorr-Bremse	AC156C	LECITRAILER	4110841
<b>PRO 015 068 0</b>		Scania	1935025	Paccar	1506196
DAF	1725688	<b>PRO 643 083 0</b>		VAN HOOL	637211400
<b>PRO 015 072 0</b>		Scania	2205623		
DAF	1505097 1524015 1531547	<b>PRO 643 307 0</b>			
IVECO	8169587	BPW	0243109600		
Knorr-Bremse	AC156B	DAF	1503133		
Paccar	1505097 1524015 1528902 1708305	Feldbinder	011591		
Renault	7421339179	Goldhofer	151866		
		KEMPF	2105005		
		KRONE	505812505		
		MAN	84521016040		
		Paccar	1503133		
		Scania	2090276		
		Volvo	WA4750103070		

# COMPRESSOR CYLINDER HEAD

The range now includes a replacement cylinder head to control airflow through the compressor, compatible with a wide range of trucks and buses in the heavy, medium and light vehicle markets.



## Key features

- Universal design compatible with a wide range of global OE applications in diverse commercial vehicle market sectors
- Manufactured from superior steel grades for better heat-exchange performance and extended product life
- Designed for high-temperature applications
- Superior cooling performance to budget brand alternatives
- Enhanced surface protection and excellent durability

FEATURE	OE ORIGINAL	PROVIA	AFTERMARKET AVERAGE*
Operating pressure (bar)			
Product characteristics			
Heat exchange abilities			
Product lifetime			

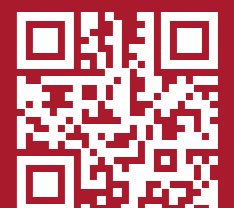
\* Average low specification alternative product

## Cross References ProVia Compressor Cylinder Head

Manufacturer No	Ref. No	Manufacturer No	Ref. No	Manufacturer No	Ref. No
<b>PRO 154 002 2</b>		<b>PRO 510 920 2</b>		<b>PRO 704 932 2</b>	
Mercedes-Benz	A0001315119 A0011307915	Mercedes-Benz	A0011304715 A0011305915	Renault	20701803
<b>PRO 352 922 2</b>		<b>PRO 510 930 2</b>		Volvo	20701803
Mercedes-Benz	A0011301215 A0011302615 A0011305219	Mercedes-Benz	4571306915S1		

### ProVia Compressor Cylinder Head - Content / Application

Compressor Cylinder Heads Repair Kits		For repair of compressor		
ProVia number	Content	Manufacturer No	Ref. No	WABCO number
PRO 154 002 2	Cylinder head 4× Hexagon flange bolt O-ring Repair instruction	DAIMLER	A 906 130 28 15 A 906 130 41 15 A 906 130 54 15 A 906 130 29 15 A 906 130 42 15 A 906 130 49 15	411 151 003 0 411 151 008 0 / 009 0 411 154 000 0 411 154 003 0 / 004 0 411 151 012 0 411 154 005 0 411 154 008 0
PRO 352 922 2	Cylinder head 4× Hexagon flange bolt 3× Sealing ring 2× O-ring Repair instruction	DAIMLER	A 475 130 44 15 A 457 130 08 15 A 457 130 681 5	412 352 026 0 412 352 006 0 / 007 0 412 352 009 0... 011 0 412 352 013 0... 016 0 412 352 027 0 412 352 031 0
PRO 510 920 2	Cylinder head 6× Hexagon flange bolt Repair instruction	DAIMLER	A 475 130 48 15 A 457 130 701 5 A 457 130 711 5	912 510 100 0 / 101 0 912 510 103 0 / 104 0
PRO 510 930 2	Cylinder head 6× Hexagon flange bolt 2× Sealing ring Repair instruction	DAIMLER	A 457 130 691 5 A 457 130 721 5 A 457 130 751 5	912 510 200 0... 203 0
PRO 704 932 2	Cylinder head 6× Hexagon flange bolt Repair instruction	Volvo Renault	20713886 20701801	412 704 001 0 412 704 004 0 / 005 0 412 704 008 0 / 009 0





# AIR SUSPENSION

CHASSIS LEVELLING VALVE • CABIN LEVELLING VALVE • SHOCK ABSORBER • ROTARY SLIDE VALVE

# CHASSIS LEVELLING VALVE

A chassis levelling valve from ProVia provides suspension control for vehicles fitted with air springs. It precisely modulates compressed air in the suspension bellows as a ratio of the vehicle's load. The chassis levelling valve ensures a constant ride height, charging the air suspension during loading and venting when unloading.

## Key Features

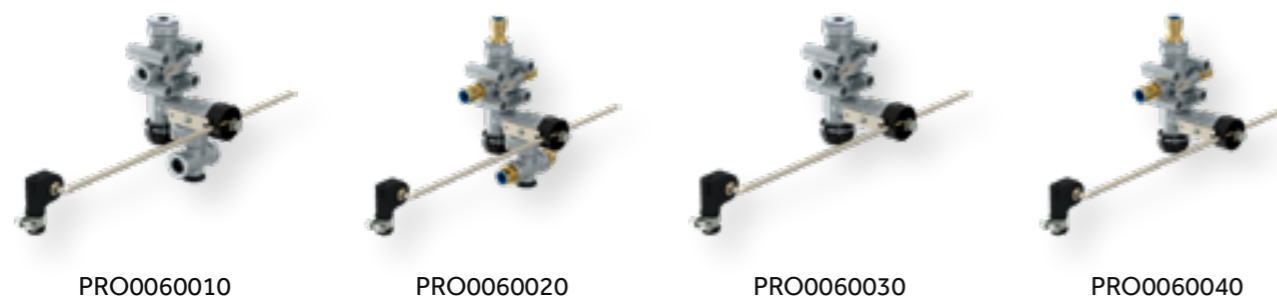
- Supply & delivery (bellow) ports include integrated air filters
- High corrosion resistance, as demonstrated in the 96h Neutral Salt Spray Test
- Highly reliable, long-life durability compared to budget alternatives
- In addition to temperature & endurance tests, the chassis levelling valve undergoes diverse additional investigation
- Integrated air filters avoid contamination and ensure excellent functionality



FEATURE	OE ORIGINAL	PROVIA	AFTERMARKET AVERAGE*
Corrosion resistance (hours)			
Leakage -40 °C (cm³ / min)			
Product lifetime			

\* Average low specification alternative product

ProVia number	PRO 006 001 0	PRO 006 002 0	PRO 006 003 0	PRO 006 004 0
Variant	height limitation	height limitation	basic	basic
Push-in fittings	-	Ø 8x1.0	-	Ø 8x1.0



## Cross References ProVia Chassis Levelling Valve

Manufacturer No	Ref. No	Manufacturer No	Ref. No	Manufacturer No	Ref. No
<b>PRO 006 001 0</b>		VAN HOOL	637213050	Samro	4000932
Benalu	F005268	Zorzi	1013140	Schmitz Cargobull	055634
BPW	243113500	<b>PRO 006 002 0</b>		Schwarzmüller	21884
DAF	EXABRB613	Samro	4001483	Tirsan	21151103150
E.R.F.	1260680	<b>PRO 006 003 0</b>		UD Trucks	53810D9400
EvoBus	8285499000	Benalu	F001572	VAN HOOL	10505355
FAYMONVILLE	3852	BPW	243109200	Zorzi	1013120
Feldbinder	071432	Doll	8143280	<b>PRO 006 004 0</b>	
Ford	XCT2K432AA	E.R.F.	4027060	KÖGEL	6502260
Fruehauf	CF352131 F005268	FAYMONVILLE	5139	LOHR	A05021228A
Goldhofer	162347	Feldbinder	001797	Schmitz Cargobull	1118421
Haldex	612032001	Ford	4C462K433AA	Schwarzmüller	86425
Hendrickson	464/006/100/0	Fruehauf	CF351950/F001572		
KÄSSBOHRER	21151103151 8285499000	Goldhofer	157537		
KEMPF	2129007	Haldex	612017091		
Knorr-Bremse	I98289 SV1410	Hendrickson	464/006/002/0		
KÖGEL	318955	Kalmar	9236180001		
KRONE	505808613	KÄSSBOHRER	21151103150		
Langendorf	1111173	KEMPF	2129005		
LECITRAILER	4110261	Kinglong	229600060		
Leyland DAF	EXABRB613	Knorr-Bremse	II19425 SV1307 SV1395		
LIEBHERR	503200001	KÖGEL	312470		
LOHR	A05021256	KRONE	500945035/1		
Mafi	5661833	Langendorf	1111172		
Meiller	799158/70045868	LECITRAILER	4110201		
Nooteboom	3323119	LIEBHERR	502918201		
Orthaus	495040	LOHR	A05020507		
Otokar	F005268	Mafi	5661808		
SAF	4425013400	Meiller	795113/39004636		
Samro	4000721	Nooteboom	309101		
Schmitz Cargobull	050637 1103985	Orthaus	495039		
Schwarzmüller	27475	Renault	5010260213		
		SAF	04425010400		

# CABIN LEVELLING VALVE

A ProVia cabin levelling valve improves driver comfort by maintaining a precise cab position. For cabs fitted with an air suspension system, the CLV will preserve the correct attitude, intelligently adapting to cabin load and a wide range of road conditions.

## Key Features

- Reliable and robust ceramic technology with polymer housing. Excellent corrosion resistance, proven in 96-hour neutral salt-spray tests, offering superior longevity to other budget brands
- Operating pressure: 11 bar
- Max. operating pressure: 14 bar



FEATURE	OE ORIGINAL	PROVIA	AFTERMARKET AVERAGE*
Corrosion resistance (hours)			
Leakage -40 °C (cm³/ min)			
Leakage +80 °C (cm³/ min)			

\* Average low specification alternative product

ProVia number	Fixing length (body + lever)	Body material	Type of lever fixing	Port
PRO 007 001 0	177 mm	Plastic	1 fixing hole	Push in fitting Ø 6 mm
PRO 007 003 0	177 mm	Metal	Ball Ø 8 mm, 90° rotated	M10×1.0
PRO 007 007 0	147 mm	Plastic	3 fixing holes	Push in fitting Ø 6 mm
PRO 007 010 0	137 mm	Metal	2 fixing holes	M10×1.0
PRO 007 011 0	171 mm	Metal	Ball Ø 10 mm	M10×1.0
PRO 007 023 0	177 mm	Plastic	1 fixing hole	Push in fitting Ø 6 mm
PRO 007 028 0	171 mm	Plastic	Ball Ø 14.8 mm	Push in fitting Ø 6 mm
PRO 007 030 0	177 mm	Plastic	1 fixing hole	Push in fitting Ø 6 mm

ProVia number	Fixing length (body + lever)	Body material	Type of lever fixing	Port
PRO 007 036 0	176 mm	Plastic	Ball Ø 10 mm	Push in fitting Ø 6 mm
PRO 417 004 0	177 mm	Plastic	1 fixing hole	Push in fitting Ø ¼"
PRO 417 025 0	177 mm	Plastic	Ball Ø 8 mm	Raufoss ABC small cartridge external Ø 6mm
PRO 417 034 0	136.5 mm	Plastic	Hole-lever Ø 6.5 mm	Raufoss ABC small cartridge external Ø 6mm

## Cross References ProVia Cabin Levelling Valve

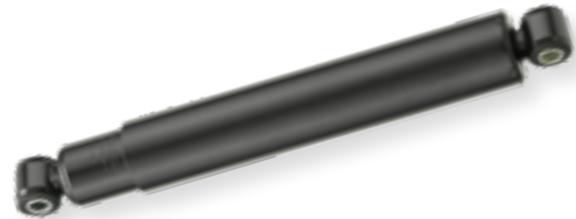
Manufacturer No	Ref. No	Manufacturer No	Ref. No	Manufacturer No	Ref. No
<b>PRO 007 001 0</b>		<b>PRO 007 010 0</b>		<b>PRO 417 025 0</b>	
CNHTC	WG1642440051/1	MAN	N2509990136	Renault	7421321296
DAF	1505081	Renault	5021170191	Volvo	21304773
	759050	Scania	1934939	<b>PRO 417 034 0</b>	
DF	5001090-C1100	<b>PRO 007 011 0</b>		Scania	2093357
	5001090-C6100	EvoBus	A0003284530		
FAW	5001320-Q824A	Mercedes-Benz	A0003284530		
Ford	3C465C100AA	<b>PRO 007 023 0</b>			
IVECO	412 113 34	Renault	5010136105		
	8188642		7420746460		
JAC	64006-Y4010XZ	Volvo	20746460		
KÖGEL	332419	<b>PRO 007 028 0</b>			
MAN	4134534	Foton	H4502A01056A0		
	81436106129	<b>PRO 007 030 0</b>			
Renault	5021170189	Beiben	1288910046		
Scania	1934938	CAMC	50H08-01060		
SXQC	81436106129	FAW	5001075CA/01-C00/B		
<b>PRO 007 003 0</b>			5001075CA01/A		
Volvo	20531967	<b>PRO 007 036 0</b>			
<b>PRO 007 007 0</b>		Foton	1B24950201013		
Renault	5010260136	<b>PRO 417 004 0</b>			
	7420746465	DTNA	18-28710-000		
Volvo	20746465	Paccar	08-02772		

# SHOCK ABSORBER

Shock Absorbers reduce the vibrations caused by uneven roads and enable the wheel to follow the unevenness of the road. These products ensure an optimal characteristic curve due to multi-stage piston and bottom valve technology.

## Key Features

- Reduces or eliminates pitching and rolling under certain road and driving conditions
- Continued damping control
- Supports reduction of stopping distance



ProVia number	Length (mm)					Stroke (mm)	Top fitment hole (mm)	Bottom fitment hole (mm)	Maximum diameter (mm)
	Overall	Rebound	Compression	Top fitment	Bottom fitment				
PRO 600 320 0	735.5	673	428	62	62	245	∅ 20	∅ 30	∅ 76
PRO 600 321 0	996	946	557	50	50	389	∅ 20	∅ 20	∅ 80
PRO 600 322 0	723	658	422	62	62	236	∅ 20	∅ 30	∅ 80
PRO 600 323 0	788	690	410	∅ 62	46	280	M14 X 1.5	∅ 22.3	∅ 63.4
PRO 600 325 0	771	674	387	∅ 62	50	287	M14 X 1.5	∅ 16	∅ 63.4
PRO 600 328 0	849	752	435	∅ 62	50	317	M14 X 1.5	∅ 16	∅ 63.4
PRO 601 066 0	550	498	333	55	55	165	∅ 24	∅ 24	∅ 80
PRO 601 067 0	485	425	304	58	58	121	∅ 24	∅ 24	∅ 80
PRO 601 068 0	535	478	327	55	55	151	∅ 20	∅ 20	∅ 80
PRO 601 069 0	530	478	324	62	62	154	∅ 20	∅ 20	∅ 80
PRO 601 070 0	591	539	354	55	55	185	∅ 24	∅ 24	∅ 80
PRO 601 071 0	497	445	313	50	50	132	∅ 20	∅ 20	∅ 80

ProVia number	Length (mm)					Stroke (mm)	Top fitment hole (mm)	Bottom fitment hole (mm)	Maximum diameter (mm)
	Overall	Rebound	Compression	Top fitment	Bottom fitment				
PRO 601 072 0	746	694	433	55	55	261	∅ 24	∅ 24	∅ 80
PRO 601 073 0	817	765	467	55	55	298	∅ 24	∅ 24	∅ 76
PRO 601 074 0	481	429	299	55	55	130	∅ 24	∅ 24	∅ 80
PRO 601 077 0	477	425	296	62	62	129	∅ 20	∅ 20	∅ 80
PRO 601 078 0	541	489	329	50	50	160	∅ 20	∅ 20	∅ 80
PRO 604 134 0	308	260	235	45	45	25	∅ 20	∅ 20	∅ 50.8

## Cross References ProVia Shock Absorber

Manufacturer No	Ref. No	Manufacturer No	Ref. No	Manufacturer No	Ref. No
<b>PRO 600 320 0</b>		<b>PRO 600 322 0</b>		<b>PRO 600 325 0</b>	
DAF	1282623	MAN	81437016564	MAN	81437016793
	1282624		81437016584	STEYR	8143701679
	1283732		81437016620		
	1328748		81437016634	<b>PRO 600 328 0</b>	
	222773		81437016710	IVECO	41218439
	252620	STEYR	81437016620		98414529
	256260		81437016634		98414535
	360585	<b>PRO 600 323 0</b>			98432435
	380585	SCANIA	1012045		99474655
	740021		1110588	<b>PRO 601 066 0</b>	
<b>PRO 600 321 0</b>			1111056	BATTAGLINO	2609000
SCANIA	1370093		1356723	KÖGEL	6500652
	1380425		216976	MIELE	060AMM0505
	1380427		307055	ROLFO	112319
	1397523		395063	SCHWARZMÜLLER	237025200
	1478507			VOLVO	WA4386010660
	1478509				
	1519631				
	1519633				

Manufacturer No	Ref. No	Manufacturer No	Ref. No	Manufacturer No	Ref. No
<b>PRO 601 067 0</b>		<b>PRO 601 070 0</b>		<b>PRO 601 077 0</b>	
DAF	1527411	C.V.S.	590930	BATTAGLINO	2607000
MERITOR	21222271	Schmitz Cargobull	20044	BERTOJA	423016002
	21224531		28363	BOLGAN	30001003
	21224745	VOLVO	WA4386010700	CARDI	500900
	21224331B	<b>PRO 601 071 0</b>		MERITOR	21215607
VOLVO	WA4386010670	ACERBI	431806		21215742
<b>PRO 601 068 0</b>		FRUEHAUF	1518588		21221306
ACERBI	431489		1521533	MIELE	060AMM0504
	448897		1527867	O.M.T.	22450420
	449071		23514	Omar	13612
FRUEHAUF	1526855		680117	ZORZI	1006611
	152685UJB0364		BJB0180001	<b>PRO 601 078 0</b>	
	M001537		M007942	LOHR	6030510
	M007950		UCE12951		A06030510C
	M076480		UJA0878001		O6030510
	M200052		UJB0177	<b>PRO 604 134 0</b>	
	M200133		UJB0177001	VOLVO	1622227
	UJB0364		UJB0179		20960909
	UJB0563		UJB0315		21539730
	UJB0565		UJB0316		3198849
	UJB1124C		UJB0562		3986315
TRAILOR	1526855		UJC002001	<b>PRO 601 072 0</b>	
	7000057L		UJZ7093	VOLVO	WA4386010720
	M001537		W4012762	<b>PRO 601 073 0</b>	
	UJB0565	<b>PRO 601 074 0</b>		SAF	2376001900
VOLVO	WA4686010680	ROLFO	112320	VOLVO	WA4386010730
<b>PRO 601 069 0</b>		SAF	2376002700	<b>PRO 601 074 0</b>	
MERITOR	21221348	VOLVO	WA4386010740	<b>PRO 601 074 0</b>	
SAF	2376001001			<b>PRO 601 074 0</b>	
	2376001002			<b>PRO 601 074 0</b>	
	2376001400			<b>PRO 601 074 0</b>	
	2376001500			<b>PRO 601 074 0</b>	
	2376001800			<b>PRO 601 074 0</b>	
Schmitz Cargobull	16436			<b>PRO 601 074 0</b>	
	902398			<b>PRO 601 074 0</b>	
	912398			<b>PRO 601 074 0</b>	
	912637			<b>PRO 601 074 0</b>	
TRAILOR	2376001800			<b>PRO 601 074 0</b>	
	6504638G			<b>PRO 601 074 0</b>	
	6506636B			<b>PRO 601 074 0</b>	

# ROTARY SLIDE VALVE

A rotary slide valve controls the raising and lowering of air-suspension based vehicles with a hand lever. ProVia offers a robust, cost attractive, high performance rotary slide valve.



## Key Features

- High durability based on robust material reduces the replacement rate of this component compared to other budget parts
- High corrosion resistance proven in the 96h Neutral Salt Spray Test
- Low leakage rates for long durability

FEATURE	OE ORIGINAL	PROVIA	AFTERMARKET AVERAGE*
Corrosion resistance (hours)			
Leakage -40 °C (cm³/ min)			
Leakage +80 °C (cm³/ min)			

\* Average low specification alternative product

ProVia number	Push-in fitting	Function	Max. working pressure
PRO 032 020 0	-	-	10.0 bar
PRO 032 120 0	-	Automatic return	8.5 bar
PRO 032 220 0	Ø 8x1.0	-	10.0 bar

Manufacturer No	Ref. No	Manufacturer No	Ref. No	Manufacturer No	Ref. No
<b>PRO 032 020 0</b>		<b>PRO 032 120 0</b>		<b>PRO 032 220 0</b>	
Benalu	F001882	Feldbinder	1016901	KÖGEL	6503484
BPW	243112800	KÄSSBOHRER	21151103133	KRONE	515003585
DAF	1506100	KÖGEL	338023/0	Scania	2089913
EvoBus	8025172000	KRONE	505813933		
Goldhofer	159118	LECITRAILER	4110861		
IVECO	500002862	Scania	1934915		
KRONE	500945047	Tirsan	21151103133		
MAN	81436196006				





# DRIVE CONTROL

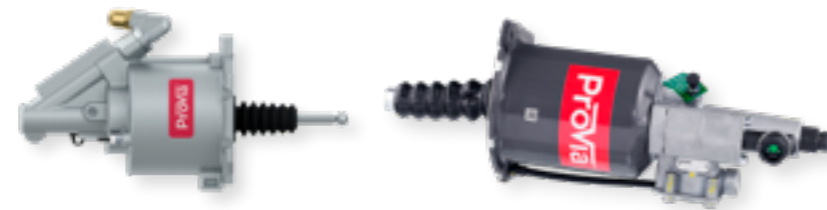
CLUTCH SERVO • PNEUMATIC CLUTCH ACTUATOR

# CLUTCH SERVO

The clutch servo enables the driver to disengage and engage the clutch with minimum clutch pedal effort. The clutch servo is a pneumatically assisted hydraulic clutch-actuating device that enables sensitive and accurate actuation of the clutch in the vehicle.

## Key Features

- High corrosion resistance proven in the 96h Neutral Salt Spray Test
- Low leakage rates for reliable product performance and consistent quality



PRO 411 031 0  
Servo master

Clutch servo

FEATURE	OE ORIGINAL	PROVIA	AFTERMARKET AVERAGE*
Corrosion resistance (hours)			
Leakage -40 °C (cm³/ min)			
Leakage +80 °C (cm³/ min)			

\* Average low specification alternative product

ProVia number	Fluid type	Wear measurement	Size	Ports
PRO 051 001 0	Mineral oil	Electronic distance sensor module	4"	<b>1-4:</b> M14×1.5; <b>11:</b> M22×1.5 Voss 230
PRO 051 002 0	Mineral oil	Electronic distance sensor module	4"	<b>1-4:</b> M14×1.5; <b>11:</b> M22×1.5 Voss 230
PRO 051 003 0	Mineral oil	Electronic distance sensor module	4"	<b>1-4:</b> Special fittings; <b>11:</b> M16×1.5
PRO 051 004 0	Brake fluid	Mechanical wear indicator	4"	<b>1-4:</b> M14×1.5; <b>11, 21:</b> M16×1.5
PRO 051 005 0	Brake fluid	Mechanical wear indicator	4"	<b>1-4:</b> M14×1.5; <b>11, 21:</b> M16×1.5
PRO 051 006 0	Brake fluid	Mechanical wear indicator	4"	<b>1-4:</b> M14×1.5; <b>11, 21:</b> M16×1.5
PRO 051 007 0	Brake fluid	Mechanical wear indicator	4"	<b>1-4:</b> M14×1.5; <b>11:</b> M16×1.5
PRO 051 008 0	Brake fluid	Electronic distance sensor module	4"	<b>1-4:</b> Special fittings; <b>11:</b> M16×1.5
PRO 051 009 0	Brake fluid	Mechanical wear indicator	4"	<b>1-4:</b> M14×1.5; <b>11:</b> M22×1.5 Voss 230
PRO 051 010 0	Brake fluid	Mechanical wear indicator	4"	<b>1-4:</b> M14×1.5; <b>11:</b> M22×1.5 Voss 230
PRO 411 011 0	Mineral oil	Electronic distance sensor module	4"	<b>1-4:</b> M14×1.5; <b>11:</b> M22×1.5 Voss 230
PRO 411 031 0	Brake fluid	No wear indicator	4"	<b>1:</b> Special fittings <b>12:</b> Special fittings;
PRO 411 300 0	Brake fluid	Mechanical wear indicator	6"	<b>1:</b> Special fittings <b>14:</b> M14x1.5

## Cross References ProVia Clutch Servo

Manufacturer No	Ref. No	Manufacturer No	Ref. No	Manufacturer No	Ref. No
<b>PRO 051 001 0</b>		FAW	160230576A	<b>PRO 411 002 0</b>	
MAN	81307256116	Foton	1612516205010	FAW	1602300A363
Neoplan	81307256116	Irisbus	5010556022	<b>PRO 411 003 0</b>	
<b>PRO 051 002 0</b>		IVECO	5010556022	FAW	16080180030
DAF	1506465	Kinglong	16MC104010 216500050	<b>PRO 411 004 0</b>	
MAN	81307256084 81307256107 81307259084	MAN	N2307160011	DF	1608010-T1102
Neoplan	81307256084	Paccar	1506467	<b>PRO 411 005 0</b>	
Paccar	1506465R	Scania	1935602	DF	1608010-T1103
Scania	1935599	VAN HOOL	10709118	<b>PRO 411 011 0</b>	
<b>PRO 051 003 0</b>		YUTONG	160400213	MAN	81307256115
DAF	1527600	ZF	0501006375 0501006795	Neoplan	81307256115
MAN	81307256104	<b>PRO 051 007 0</b>		<b>PRO 411 020 0</b>	
Mercedes-Benz	A0002540447	CNHTC	WG8701230003 WG9725230041/2 WG9725230041/4 WG9725230051/2	SQ	DZ9112230181
Neoplan	81307256104	Foton	1432116280002	<b>PRO 411 021 0</b>	
Paccar	1527600	Kinglong	16MC104010C1	CNHTC	WG9725230041/1
Scania	1935609	<b>PRO 051 008 0</b>		<b>PRO 411 022 0</b>	
<b>PRO 051 004 0</b>		Daewoo	3329101150 3329101151	SQ	DZ9112230166
DAF	1506466	DAF	1505143 1506464 1506468	<b>PRO 411 023 0</b>	
FAW	1602305A70A	EvoBus	A0002540047 A0002541247 A0002952818	FAW	1602305A70A
Ford	7C467K626AA	Mercedes-Benz	A0002540047 A0002541247 A0002952818	<b>PRO 411 024 0</b>	
HINO	S31A0E0780	Paccar	1506464 1505143R	SQ	DZ9112230178
Hyundai	4170077000K	Renault	5021170437	<b>PRO 411 025 0</b>	
Kinglong	216500010	Scania	1935608	CNHTC	WG9725230051
Renault	501006570	<b>PRO 051 009 0</b>		<b>PRO 411 026 0</b>	
Scania	1935601	FAW	1602305A70A/B 1602305A7A	FAW	9700514230
VAN HOOL	10730817	YUTONG	160400455	<b>PRO 411 030 0</b>	
YUTONG	160400241	<b>PRO 051 005 0</b>		FAW	1602350-D849
<b>PRO 051 005 0</b>		FAW	1602305A70A/B 1602305A7A	<b>PRO 411 031 0</b>	
YUTONG	160400455	MAZ	9700514370	Kongsberg	1000178631
<b>PRO 051 006 0</b>		<b>PRO 051 010 0</b>		Scania	1523399 1784480 1927825 2555088
Alexander Dennis	659826 6573091	MAZ	9700514570	<b>PRO 411 300 0</b>	
DAF	1506467	<b>PRO 411 000 0</b>		Kongsberg	629683AM
		DF	1608Z36-001	Scania	1421186 1454590 1513717
		<b>PRO 411 001 0</b>			
		FAW	1602300-367		

# PNEUMATIC CLUTCH ACTUATOR

The pneumatic clutch actuator is used in commercial vehicles with automated manual transmission units. Its function is to apply the clutch automatically (as commanded by gearbox ECU), which effectively eliminates any jolting or surges and consequently allows for a smooth clutch operation when pulling away, stopping and gear changing.

## Key Features

- Low leakage rates for reliable product performance and consistent quality
- Tightness according to IP67 with appropriate connection
- With integrated robust solenoid valve box
- Air exhaust facility in clutch bell housing



FEATURE	OE ORIGINAL	PROVIA	AFTERMARKET AVERAGE*
System life time (cycles)			
Leakage (cm³/min)			
Temperature (°C)			

\* Average low specification alternative product

ProVia number	Temperature	Max. pressure	Stroke
PRO 411 006 0	-30°C to +90°C	10 bar	69,5 mm

## Cross References ProVia Pneumatic Clutch Actuator

Manufacturer No	Ref. No
<b>PRO 411 006 0</b>	
Mercedes-Benz	A0002500562 A0002501562





# CONVENTIONAL BRAKE CONTROL

FOOT BRAKE VALVE • HAND BRAKE VALVE • DIRECTIONAL CONTROL VALVE • PARK RELEASE  
EMERGENCY VALVE • RELAY VALVE • RELAY EMERGENCY VALVE • TRAILER RELEASE VALVE

# FOOT BRAKE VALVE

The ProVia foot brake valve (FBV) is used for precise pressurisation and purge of pneumatic dual-circuit braking systems, actively controlling the braking process. It works in harness with actuating mechanisms across an extensive range of commercial vehicles. It is designed to secure both air circuits, allowing the vehicle to be operated safely at all times.

## Key Features

- Long durability and high corrosion resistance, proven in the 96h Neutral Salt Spray Test
- Pressure predominance of Circuit One versus Circuit Two is 0.15 bar to 0.3 bar
- Total travel until stop is available from 12.5 mm to 15 mm
- Meets performance standard ECE-R13
- In addition to ECE-R13, the FBV undergoes diverse additional assessments including a 96 h Neutral Salt Spray Test



FEATURE	OE ORIGINAL	PROVIA	AFTERMARKET AVERAGE*
Corrosion resistance (hours)			
Leakage -40°C (cm³/ min)			
Leakage +80°C (cm³/ min)			
Product Lifetime			

\* Average low specification alternative product

ProVia number	Exhaust	Port	Pressure (bar)	
			Working	Temporary
PRO 315 008 0	Hose nipple (90°)	M16×1.5	10.0	12.0
PRO 315 077 0	Hose nipple (90°)	M16×1.5	10.0	12.0
PRO 315 180 0	Silencer	Ø 12 mm	9.0	11.0
PRO 315 263 0	Silencer	M22×1.5 Voss	10.2	13.0
PRO 315 264 0	Silencer	M22×1.5 Voss	10.2	13.0

## Cross References ProVia Foot Brake Valve

Manufacturer No	Ref. No	Manufacturer No	Ref. No
<b>PRO 315 004 0</b>		<b>PRO 315 077 0</b>	
CNHTC	WG9000360520/2	CNHTC	WG9719360005/1
<b>PRO 315 005 0</b>		IVECO	5801103156
CNHTC	WG9719360005/6	<b>PRO 315 180 0</b>	
<b>PRO 315 006 0</b>		DAF	1504971
Foton	1419335570001	Paccar	1504971
<b>PRO 315 007 0</b>		<b>PRO 315 263 0</b>	
Shanqi	DZ9100360080	DAF	1522226
<b>PRO 315 009 0</b>		EvoBus	A0044314105
DF	3514010-9002	Mercedes-Benz	A0044314105
<b>PRO 315 000 0</b>		<b>PRO 315 264 0</b>	
FAW	3514010-50A	DAF	1518065
<b>PRO 315 008 0</b>		Mercedes-Benz	A0044314605 A0044315905
EvoBus	A0014318305	Paccar	1518065
Hyundai	B587105K200		
IVECO	4783981		
Kia	B587105K200		
MAN	8550001-4354		
Mercedes-Benz	A0014318305		
Tata Daewoo	Z442145010087		

# HAND BRAKE VALVE

Through ProVia's hand brake valve a sensitive graduated actuation of the auxiliary brake and operation of the parking brake system is enabled. Active braking control is possible based on a precise air pressure regulation in a dual-circuit brake system. By gradually releasing the air from the connected Tristop™ or spring brake actuators the hand brake valve enables a controlled deceleration of the vehicle.

## Key features

- Pressure levels in all circuits are kept in tolerance during whole device life-time
- Reliable operating lifetime, reducing replacement rates
- Strong corrosion resistance
- Thermal operating range: -40 °C to 80 °C



FEATURE	OE ORIGINAL	PROVIA	AFTERMARKET AVERAGE*
Pressure levels maintenance (endurance test)			
Surface protection			

\* Average low specification alternative product

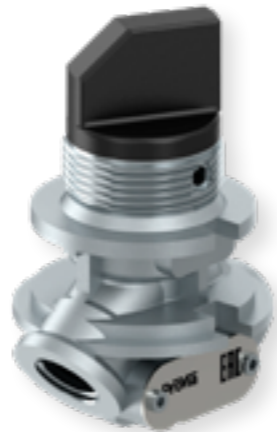
ProVia number	Parking position	Control port trailer	Trailer test position	Max. pressure	Ports	Mounting	Comments
PRO 645 000 0	59,5°	✓	–	10 bar	dedicated connector	Ø8, mounting plate	blocking valve
PRO 645 001 0	59,5°	✓	–	10 bar	dedicated connector	Ø8, mounting plate	blocking valve, right hand drive
PRO 645 002 0	73,0°	✓	–	10 bar	M16×1.5 Voss	M6	
PRO 645 003 0	73,0°	✓	✓	10 bar	M16×1.5	M8	
PRO 645 004 0	73,0°	✓	✓	10 bar	M16×1.5 Voss	M6	
PRO 645 005 0	73,0°	✓	✓	10 bar	M16×1.5	M6	
PRO 645 006 0	73,0°	✓	✓	11 bar	M16×1.5	M8	electrical switch
PRO 645 007 0	85,0°	–	–	10 bar	M16×1.5 Voss	M6	
PRO 645 008 0	85,0°	–	–	10 bar	M16×1.5 Voss	M6	
PRO 645 009 0	–	–	–	10 bar	M16×1.5	M8	for trailer only
PRO 645 010 0	68,0°	✓	–	13 bar	dedicated connector	2 x Ø9,4 2 x Ø10,4	

## Cross References ProVia Hand Brake Valve

Manufacturer No	Ref. No	Manufacturer No	Ref. No	Manufacturer No	Ref. No
<b>PRO 645 000 0</b>			81523156161 81523156162 81523156171 81523156181	<b>Knorr-Bremse</b>	DPM90EY
DAF	1524321			<b>PRO 645 007 0</b>	
Volvo	20367533			DAF	371274
<b>PRO 645 001 0</b>		<b>Scania</b>	1935570	<b>PRO 645 008 0</b>	
DAF	1524322	<b>PRO 645 004 0</b>		DAF	1505331
Volvo	20367534	<b>Renault</b>	7420813850	<b>Scania</b>	1935564
<b>PRO 645 002 0</b>		<b>PRO 645 005 0</b>		<b>Volvo</b>	6792610
DAF	1505340	DAF	1309813	<b>PRO 645 009 0</b>	
<b>Scania</b>	1935576	<b>Knorr-Bremse</b>	DPM90DA	<b>EvoBus</b>	A0034305981
<b>Solaris</b>	1102408340	<b>PRO 645 006 0</b>		<b>Mercedes-Benz</b>	0034305981
<b>PRO 645 003 0</b>		DAF	1524294 1524802	<b>PRO 645 010 0</b>	
MAN	81523156156 81523156160	<b>IVECO</b>	8132394 98405732	<b>Scania</b>	1882111

# DIRECTIONAL CONTROL VALVE

The ProVia Directional Control Valve (DCV) is used to change, open or block the air flow into different paths without affecting pressure level or flow rate of the system. It is used to support vehicles secondary functions such as lifts, cranes, doors etc.



## Key features

- Universal design which covers multiple OE applications
- Highly reliable, long-life durability compared to budget alternatives
- Function: manually controlled
- Working pressure: 11 bar
- Operating Temperature: -25 ... +80° C

FEATURE	OE ORIGINAL	PROVIA	AFTERMARKET AVERAGE*
Lifetime			
Appearance			
Leakage			

\* Average low specification alternative product

ProVia number	Type	Actuation	Ports
PRO 036 001 0	3/2	Turn	1, 2: M12×1.5; 3: exhaust
PRO 036 002 0	3/2	Push	1, 2: M10×1 (JED-388-1); 3: exhaust
PRO 037 001 0	4/3	Turn	1, 21, 22: M12×1.5; 3: M10×1

**NEW**

## Cross References ProVia Directional Control Valve

Manufacturer No	Ref. No	Manufacturer No	Ref. No
<b>PRO 036 001 0</b>		<b>PRO 037 001 0</b>	
DAF	1518083 1524824	DAF	1518089
IRISBUS	98413419 41211131	IRISBUS	98413420 41211132
IVECO	98413419 15170752 116517 41211131	IVECO	98413420 116049 9841342 41211132
KEMPF	26798		
OTOKAR	16H1208506AA		
PACCAR	1518083		
SCANIA	1788962		
<b>PRO 036 002 0</b>			
IVECO	500356849		
MAN	81998041230 81521856060		
NEOPLAN	81521856060		

# PARK RELEASE EMERGENCY VALVE

The park release emergency valve (PREV) is used to conduct the control pressure to the TEBS-E Modulator. The PREV is equipped with a red actuating button for actuating the parking brake, as well as a further black actuating button for releasing the brake which is automatically actuated when the trailer vehicle is unhitched.



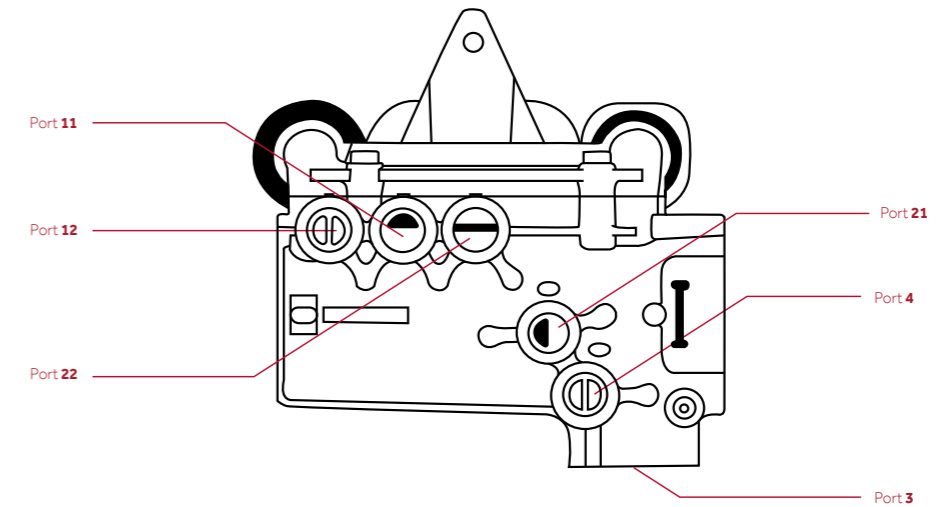
## Key features

- This one base variant can replace the relevant variant available in the market, just to add the respective fitting and test connectors.
- Much longer lifetime and better corrosion resistance reduces the replacement rate of this component compared to other budget parts

FEATURE	OE ORIGINAL	PROVIA	AFTERMARKET AVERAGE*
Corrosion resistance (hours)			
Leakage -40 °C (cm³/ min)			
Leakage +65 °C (cm³/ min)			

\* Average low specification alternative product

ProVia number	Working pressure	Max. Working pressure	Knob colour	Ports	Line connection	
					Tapped holes JED-152	Fitting, diameter for pipe
PRO 648 000 0	8.5 bar	10 bar	Red & Black	3 Air Exhaust	-	-
				4 Service Line	M16x1.5 – 12mm	Ø8x1
				11 Supply	M16x1.5 – 12mm	Ø8x1
				12 Air Reservoir	M16x1.5 – 12mm	Ø8x1
				21 Modulator	M16x1.5 – 12mm	Ø8x1
				22 Spring Brake Cylinder	M16x1.5 – 12mm	Ø8x1



## Cross References ProVia Park Brake Release Valve PRO 648 000 0

Additional fitting not required

Manufacturer No	Ref. No	Manufacturer No	Ref. No	Manufacturer No	Ref. No
DAF	908049	Langendorf	1240051	PETERBILT	S971-002-900-0
	1518261	LIEBHERR	10167537	ROSSETTI	700840230
Doll	7086972	LIESS	3801011644	Scania	1738468
EGSA	2402000104	Linshalm	68587		2089928
ENGATCAR	420273C	LOHR	A05021220	Schmitz Cargobull	1060744
FACCHINI	308712972	MACK	2S971 002 900 0		8283021000
FAYMONVILLE	64047		2S9710029000	INS0120079	
Feldbinder	1026483		6300-9710029000	Schwarz Müller	60950
Goldhofer	168783	MAN	ZG046540002		83636
Hüffermann	6BE00210100	MANOS	2157	SERGOMEL	24252
IBIPORÃ	3051000114	Meiller	79905170062155	Tirsan	21151103199
KÄSSBOHRER	8283021000	MERITOR	S9710029000	VAN HOOL	10950969
	21150110052		S9710029120	Volvo	WA9710029000
KENWORTH	S971-002-900-0	NIPPON SHARYO	A3000JC15901	WAB9710029000	
	S971-002-912-0	NIPPON TREX	912002-00012	Zorzi	1012019
KODAIRA INDUSTRIAL	VS70000149	NOMA	9213005		
KÖGEL	361687	Nooteboom	2090150		
	6502259		400712115		
	22361687	Otokar	AIF1164		
KRONE	5817911		AIF2006		
	58179110	Paccar	1518261		
	58179111	PASTRE	931160602		
	505817911				



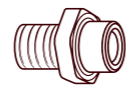
### Additional fittings required



893 800 001 2  
Fitting (M16 x 1.5)



893 800 001 2  
Fitting (M16 x 1.5)



893 129 192 2  
Fitting (M16 x 1.5)



893 800 001 2  
Fitting (M16 x 1.5)



893 800 009 2  
Fitting (M16 x 1.5)

Manufacturer No	Ref. No	Manufacturer No	Ref. No	Manufacturer No	Ref. No
DAMBROZ	997904020	Krone	5817911	Krone	515003584
Feldbinder	1065595		58179111		515008380
IBIPORÃ	3051000015		505817911		
KÄSSBOHRER	21151103199	Krone	515003584		
LIBRELATO	9519733		515008380		
Meiller	79838370182395	Scania	2089923		
METANOX	10078	Schmitz Cargobull	57016		
RODOTÉCNICA	112282		INSO120079		
ROSSETTI	700840185				
Scania	2089925				
Schmitz Cargobull	1043606				

# RELAY VALVE

Relay valves rapidly increase or decrease the pressure of compressed air and shorten the response and pressure build-up times in air braking systems. Relay valves not only help to rapidly pressurize the brake cylinders, but also act as quick-release valves when the brakes are released.

### Key Features

- With a range of 11 variants today, ProVia is able to serve around 70 OEM references
- Snap fit silencer
- Exhaust spout is part of the lower body for silencer fitment in field if required
- Thermal range: -40 °C to +80 °C



FEATURE	OE ORIGINAL	PROVIA	AFTERMARKET AVERAGE*
Corrosion resistance (hours)			
Leakage -40 °C (cm³/ min)			
Leakage +80 °C (cm³/ min)			

\* Average low specification alternative product

ProVia number	Pressure (bar)			Ports	Silencer	Remark
	Operating	Working	Response			
PRO 011 000 0	13.0	11.0	2.50	<b>1, 2:</b> M22×1.5 Voss; <b>4:</b> M16×1.5 Voss	–	Anti-compound
PRO 011 001 0	12.0	10.0	0.20* 0.30**	<b>1:</b> M22×1.5; <b>2, 4:</b> M16×1.5	–	Overload protection
PRO 011 002 0	13.0	10.0	0.20	<b>1, 3:</b> M22×1.5; <b>2, 4:</b> M16×1.5	–	Non-return
PRO 011 003 0	8.5	8.5	0.90	<b>1, 2:</b> M22×1.5 Voss; <b>4:</b> M16×1.5 Voss	✓	
PRO 011 004 0	13.0	10.0	0.20	<b>1, 2:</b> M22×1.5; <b>4:</b> M16×1.5	–	
PRO 011 005 0	13.0	10.0	0.38	<b>1, 2:</b> M22×1.5; <b>4:</b> M16×1.5	–	
PRO 011 006 0	13.0	10.0	0.20	<b>1, 2:</b> M22×1.5 Voss; <b>4:</b> M16×1.5 Voss	–	
PRO 011 007 0	13.0	10.0	0.20	<b>1, 2:</b> M22×1.5 Voss; <b>4:</b> M16×1.5 Voss	✓	
PRO 011 008 0	13.0	10.0	0.20	<b>1, 2:</b> M22×1.5 Voss; <b>4:</b> M16×1.5 Voss	✓	Port <b>4</b> 90° rotated
PRO 011 009 0	13.0	10.0	0.20	<b>1, 2:</b> M22×1.5; <b>4:</b> M16×1.5	✓	
PRO 643 000 0	10.0	8.0	0.80	<b>1, 2:</b> M22×1.5 Voss; <b>4:</b> M16×1.5 Voss	–	
PRO 643 002 0	10.0	10.0	0.30	<b>1, 2:</b> M22x1,5 Voss; <b>4:</b> M16x1,5 Voss	–	
PRO 643 003 0	10.0	10.0	0.30	<b>1, 2:</b> M22×1.5; <b>4:</b> M16×1.5	–	
PRO 643 004 0	10.0	10.0	0.30	<b>1, 2:</b> M22x1,5 Voss; <b>4:</b> M16x1,5 Voss	✓	
PRO 643 020 0	8.0	8.0	-	<b>1:</b> M22×1.5 <b>2:</b> 2xM16 x1.5 <b>3:</b> exhaust <b>4:</b> M16×1.5	–	

Double signal port: \* Service brake; \*\* Parking brake

### Cross References ProVia Relay Valve

Manufacturer No	Ref. No	Manufacturer No	Ref. No	Manufacturer No	Ref. No
<b>PRO 011 000 0</b>		<b>Setra</b>	8285438000	<b>MAN</b>	81521166067
<b>DAF</b>	1518271	<b>Volvo</b>	11117866 3173150		81521166068 81521166069 81521169067
<b>EvoBus</b>	A0044299444	<b>PRO 011 005 0</b>		<b>Mercedes-Benz</b>	0044290644 0044291144
<b>MAN</b>	81521166089	<b>Scania</b>	1411244 2131071	<b>Neoplan</b>	81521166068
<b>Renault</b>	5010588270	<b>PRO 011 006 0</b>		<b>Renault</b>	5021170458
<b>Scania</b>	1935668	<b>DAF</b>	1506485	<b>Scania</b>	1935645
<b>Volvo</b>	20733197	<b>E.R.F.</b>	81521166070	<b>PRO 643 002 0</b>	
<b>PRO 011 001 0</b>		<b>Knorr-Bremse</b>	481026022000	<b>Alexander Dennis</b>	DP002103
<b>DAF</b>	1519332	<b>MAN</b>	81521166070	<b>EvoBus</b>	A0044297644
<b>MAN</b>	ZG046570002	<b>Mercedes-Benz</b>	004429384480 A0044293844	<b>LOHR</b>	F10003356
<b>Scania</b>	1935666	<b>Scania</b>	2090236	<b>MAN</b>	81521166071
<b>PRO 011 002 0</b>		<b>PRO 011 007 0</b>		<b>Mercedes-Benz</b>	A0044297644
<b>DAF</b>	1504903	<b>FIAT</b>	5001843220	<b>PRO 643 003 0</b>	
<b>MAN</b>	ZG046560002	<b>Knorr-Bremse</b>	0481026026	<b>FAUN</b>	99707005415
<b>Scania</b>	1935660	<b>MAN</b>	11017334	<b>IVECO</b>	41025604
<b>PRO 011 003 0</b>		<b>Mercedes-Benz</b>	0044297844 A0044296244	<b>Scania</b>	2090240
<b>DAF</b>	1518267	<b>Scania</b>	2090238 2090239	<b>VDL Bus</b>	30011287
<b>EvoBus</b>	A0044296344	<b>Volvo</b>	20590781	<b>YUTONG</b>	352700032
<b>Knorr-Bremse</b>	481026307000 AC577A	<b>PRO 011 008 0</b>		<b>PRO 643 004 0</b>	
<b>MAN</b>	81521166075	<b>Leyland DAF</b>	1703663	<b>DAF</b>	1302103
<b>Mercedes-Benz</b>	A0044296344	<b>Paccar</b>	1703663	<b>IVECO</b>	5010207451
<b>Scania</b>	1935646	<b>PRO 011 009 0</b>		<b>Mercedes-Benz</b>	A0054291044
<b>PRO 011 004 0</b>		<b>Knorr-Bremse</b>	AC574AXY AC574AY	<b>Otokar</b>	13C2508396AA
<b>DAF</b>	1505410 5021172710	<b>MAN</b>	E41031426		
<b>Knorr-Bremse</b>	0481026021 481026021000 AC574AX AC574CXY RE1110	<b>PRO 643 000 0</b>			
<b>MAN</b>	81436066008	<b>Alexander Dennis</b>	DP002130		
<b>Mercedes-Benz</b>	0024733006 A0034291344	<b>DAF</b>	1505150		
<b>Scania</b>	1313871 1322986 2090235 2090237	<b>EvoBus</b>	A0044290644		
		<b>Knorr-Bremse</b>	481026301000		
		<b>LOHR</b>	9730060010		

# RELAY EMERGENCY VALVE

A ProVia relay emergency valve (REV) controls a two-line trailer brake system actuated by the braking system of the tractor. The product controls the emergency brake function, triggering automatic trailer braking when a partial or total pressure drop is detected in the supply line.



## Key features

- Release function to move the trailer manually
- Automatic braking function in case of supply line evacuation or tractor/trailer disconnection
- High corrosion resistance, as demonstrated in the 96 hours Neutral Salt Spray Test
- Highly reliable, long-life durability compared to budget alternatives
- Meets performance standard ECE-R13

FEATURE	OE ORIGINAL	PROVIA	AFTERMARKET AVERAGE*
Corrosion resistance (hours)			
Leakage (cm³/min)			
Product lifetime			

\* Average low specification alternative product

ProVia number	Function	Ports
PRO 648 001 0	Predominance	M22×1.5
PRO 648 002 0	–	M22×1.5
PRO 648 003 0	Predominance, Release	M22×1.5 / M22×1.5
PRO 648 004 0	Predominance, Release	M22×1.5 / M16×1.5

## Cross References ProVia Relay Emergency Valve

Manufacturer No	Ref. No	Manufacturer No	Ref. No	Manufacturer No	Ref. No
<b>PRO 648 001 0</b>		MAN	N2521160026	<b>PRO 648 004 0</b>	
DAF	1359971	Meiller	706060/70044428	DAF	1519312
FAYMONVILLE	10553	Nootboom	1745134	FAYMONVILLE	10549
Goldhofer	163414	Paccar	1506171	Paccar	1519312
Hendrickson	HB100197	Renault	5021208823	Scania	2090081
KRONE	58111590	Scania	1912351	Schmitz Cargobull	1060752
LECITRAILER	4110691	Schmitz Cargobull	1042995		
MAN	N2521160024	Schwarz Müller	54789		
Meiller	796894/39004885	Tirsan	21150110046		
Nootboom	308033	VAN HOOL	10868345		
Renault	5021208761	<b>PRO 648 003 0</b>			
Schmitz Cargobull	52504	DAF	1519310		
Schwarz Müller	7241	Goldhofer	163413		
VAN HOOL	10536639	LIEBHERR	502814801		
<b>PRO 648 002 0</b>		Meiller	799027/70143221		
FAYMONVILLE	46031	Scania	2090079		
Feldbinder	297449	Schmitz Cargobull	53355 8283884000		
Goldhofer	167732	Schwarz Müller	32939		
KRONE	5816897/0				
LOHR	A05021208				

# TRAILER RELEASE VALVE

The ProVia trailer release valve (TRV) releases the brakes on an uncoupled trailer, allowing it to be moved independent of the tractor unit. The TRV has been designed as a cost-effective alternative to OE components with no compromise on safety. It is available in a range of variants, designed for compatibility with a wide choice of OE systems.

## Key features

- Release function to move an uncoupled trailer
- High corrosion resistance, proven in the 96 h Neutral Salt Spray Test
- Long-life durability compared to budget alternatives
- Robust design, highly reliable



FEATURE	OE ORIGINAL	PROVIA	AFTERMARKET AVERAGE*
Corrosion resistance (hours)			
Leakage (cm³/min)			
Product lifetime			

\* Average low specification alternative product

ProVia number	Variant	Mounting	Supply port	Remark
PRO 527 001 0	single	flange	M16×1.5	-
PRO 527 002 0	single	flange	M22×1.5	-
PRO 527 004 0	single	mounting holes	M16×1.5	-
PRO 527 005 0	double	mounting holes	M16×1.5	with check valve; with cover port
PRO 527 006 0	double	mounting holes	M16×1.5	without check valve; with cover port



PRO 527 001 0  
PRO 527 002 0



PRO 527 004 0



PRO 527 005 0  
PRO 527 006 0

## Cross References ProVia Trailer Release Valve

Manufacturer No	Ref. No	Manufacturer No	Ref. No	Manufacturer No	Ref. No
<b>PRO 527 001 0</b>		Goldhofer	152092	Langendorf	1133254
Benalu	605252200	Haldex	352018001	LIEBHERR	10102276
FAYMONVILLE	01019	Hendrickson	963/006/001/0	LOHR	A05021210
Feldbinder	006675	KEMPF	2102005	Meiller	39004884 796892
Fruehauf	A-71519M70-A11	Knorr-Bremse	AE4217 I136160 I136160AT	Neoplan	7133000
Goldhofer	160191	KRONE	500945021	Nooteboom	1319581
Hendrickson	963/001/012/0	Langendorf	1133255	Orthaus	495060
KÄSSBOHRER	82851740000	LECITRAILER	4110241	Otokar	A-IF0503
KEMPF	2102004	LOHR	A05020211	Samro	4001199
Knorr-Bremse	I136134	Meiller	39004882 796890	Schmitz Cargobull	052190 1060742
KRONE	500945418	Neoplan	7128000	Schwarz Müller	36006
Langendorf	1133253	Nooteboom	308063	Tirsan	21151103260
LOHR	A05020209	Orthaus	49501101000	Zorzi	1013171
Nooteboom	308066	Otokar	A-IF0772	<b>PRO 527 006 0</b>	
Orthaus	495058	Samro	4000227	Haldex	352044001
Renault	5021170423	Schmitz Cargobull	053010	Hendrickson	963/001/052/0
Samro	4000009	Schwarz Müller	9141	Knorr-Bremse	AE4230 I136128
Schmitz Cargobull	050304	Terex-Demag	32413640	Otokar	A-IF0944
Schwarz Müller	4629	Zorzi	1013065	Samro	4001059
VAN HOOL	637209540	<b>PRO 527 005 0</b>		Schmitz Cargobull	114017
Zorzi	6169370	Doll	7069646	Zorzi	1013165
<b>PRO 527 002 0</b>		FAYMONVILLE	7886		
Feldbinder	011626	Feldbinder	6916		
Goldhofer	163623	Goldhofer	164265		
Knorr-Bremse	AE4232 I136133I	Haldex	352044001 352045000 352045001		
KÖGEL	185055	KÄSSBOHRER	21151103260 8283012000		
Nooteboom	0308065	KEMPF	2102006		
Schmitz Cargobull	50309	Knorr-Bremse	AE4247 I136131		
Schwarz Müller	23740	KÖGEL	336490		
<b>PRO 527 004 0</b>		KRONE	505812423 5812423/0		
Benalu	605323000				
FAYMONVILLE	1020				
Feldbinder	006712				
Fruehauf	A-FA4271-008				



# ELECTRONIC BRAKE CONTROL

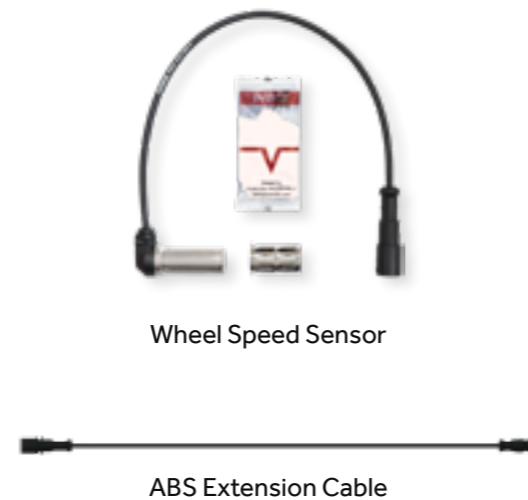
WHEEL SPEED SENSOR • PROPORTIONAL RELAY VALVE

# WHEEL SPEED SENSOR

A wheel speed sensor (WSS) is a device designed to read the speed of a vehicle's wheel rotation. The system also monitors the proper functioning of a range of features, including brake performance, ensuring vehicle safety. ProVia wheel speed sensors are contactless and use alternating voltage outputs to correspond to the actual wheel speed rotation, passing the information to the vehicle's electronics system.

## Key features

- A short coil twist design ensures reduced noise generated to the ECU which avoids malfunction
- A robust crimped connection between sensor head and cable
- Performs reliably in temperatures up to 150 °C
- Mounting: Standard Head Dimensions
- Interface: Standard End Connectors
- Thermal range: coil area: -40 °C ... +200 °C  
 sensor head: -40 °C ... +150 °C  
 sensor cable: -40 °C ... +180 °C  
 end connector: -40 °C ... +80 °C



FEATURE	OE ORIGINAL	PROVIA	AFTERMARKET AVERAGE*
Coil resistance (Ohm)			
Induced voltage (mV)			
Insulation Resistance (Ohm)			

\* Average low specification alternative product




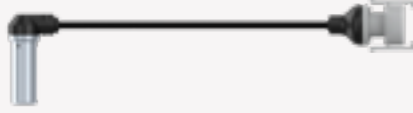

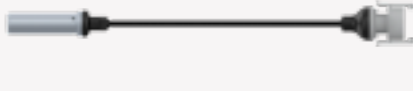
90° sensor



Straight sensor

## ProVia Wheel Speed Sensor

Product	Code plug	Length	ProVia number
		400 mm 1000 mm 1500 mm 2050 mm	PRO 032 000 0 PRO 032 001 0 PRO 032 002 0 PRO 032 003 0
		2050 mm	PRO 032 004 0
		1650 mm	PRO 032 005 0
		2675 mm	PRO 032 006 0
	A B	1940 mm 1400 mm	PRO 032 007 0 PRO 032 008 0
		350 mm 1700 mm 3000 mm	PRO 032 009 0 PRO 032 010 0 PRO 032 011 0
	A	1650 mm	PRO 032 012 0
	C	2675 mm	PRO 032 013 0
	A	4100 mm	PRO 032 014 0
	B	2650 mm	PRO 032 015 0
	A	1500 mm	PRO 032 016 0

Product	Color	Code plug	Length	ProVia number
	Black		2000 mm	PRO 032 0500
	Grey		2000 mm	PRO 032 051 0
	Black		2000 mm	PRO 032 052 0
	Grey		2000 mm	PRO 032 053 0




### Cross References ProVia Wheel Speed Sensor

Manufacturer No	Ref. No	Manufacturer No	Ref. No	Manufacturer No	Ref. No
<b>PRO 032 000 0</b>		2149659		Paccar	1529040
DAF	1315698	Solaris	1102905340	<b>PRO 032 003 0</b>	
	1361393	<b>PRO 032 001 0</b>		DAF	1505215
	1504951	DAF	1504929		1518008
	1518724		1506003	EvoBus	A0015423118
	1778552	Ford	98CT2B372AA		A0015428718
	1778554	Hyundai	946007A150		A68054200418
EvoBus	A0025423118	IVECO	4460000009	Hyundai	946007A050
IVECO	500070461	Paccar	1504929	IVECO	5006010272
	5801115879		1506003	MAN	81271206117
	9441032808	Renault	5010422332	Mercedes-Benz	A0015423118
MAN	ZG005610007		5021170123		A0015428718
Mercedes-Benz	A0025423118	Scania	1934569	Neoplan	81271206117
	A15-0101		2090023	Paccar	1505215
Otokar	16N00-05728-BA	<b>PRO 032 002 0</b>			1518008
Paccar	1361393	EvoBus	A0015426818	Renault	5010422334
	1504951		A0015427818	Scania	2090022
	1778554		A0025422518	Solaris	720387939
Renault	5010604322	Mercedes-Benz	A0015426818	Tata Daewoo	3879500610
	5021170121		A0015427818	<b>PRO 032 004 0</b>	
	5021170122		A0015427819	DAF	1524828
Scania	1934568		A0025422518		
	1934570				
	2090021				

Manufacturer No	Ref. No	Manufacturer No	Ref. No	Manufacturer No	Ref. No
IVECO	41200560	IVECO	42554824	Volvo	20509869
	41200561		504013848		21361881
Paccar	1524828	Mercedes-Benz	A0019050400	<b>PRO 032 015 0</b>	
<b>PRO 032 005 0</b>			A0065427618	Renault	21361893
Scania	1892051	Nissan	479009X600	Volvo	20509865
<b>PRO 032 006 0</b>		Paccar	1400071		21361884
Scania	1892053		1505052		21361893
<b>PRO 032 007 0</b>		Scania	2090024	<b>PRO 032 016 0</b>	
DAF	1850203	Solaris	1021400501	Renault	21296829
	1862600	Volvo	21760204		7421296829
	1870628	<b>PRO 032 011 0</b>		Volvo	21296829
Mercedes-Benz	A0075427218	DAF	1518009	<b>PRO 032 050 0</b>	
<b>PRO 032 008 0</b>			1531495	MAN	81271206157
DAF	1862602	EvoBus	A0015423318		81271206149
	1869290		A0015428818	<b>PRO 032 051 0</b>	
<b>PRO 032 009 0</b>			A0015428918	MAN	81271206156
FAUN	99707007090		A0025422618	<b>PRO 032 052 0</b>	
KRONE	505820819		A0025423818	MAN	81271206060
MAN	N2255200060	Mercedes-Benz	A0015423318		81271206147
Renault	5021170124		A0015428818	<b>PRO 032 053 0</b>	
Volvo	WA4410329050		A0015428918	MAN	81271206061
<b>PRO 032 010 0</b>			A0025422618		81271206146
DAF	1400071		A0025423818	Paccar	1518009
	1506149			Solaris	920100080
EvoBus	A0019050400	<b>PRO 032 012 0</b>		<b>PRO 032 012 0</b>	
	A0065427618	Scania	1892057	<b>PRO 032 013 0</b>	
Ford	7C462B372AA	<b>PRO 032 013 0</b>		Scania	1892058
Hyundai	946007A500	<b>PRO 032 014 0</b>		Renault	21361881
	946007A550				

## ProVia ABS Extension Cables

Product	Length	ProVia number
	1800 mm	PRO 537 018 0
	2300 mm	PRO 537 023 0
	3000 mm	PRO 537 030 0
	3800 mm	PRO 537 038 0
	4000 mm	PRO 537 040 0
	5100 mm	PRO 537 051 0
	6000 mm	PRO 537 060 0
	8000 mm	PRO 537 080 0
	10000 mm	PRO 537 100 0

## Cross References ProVia ABS Extension Cables

Manufacturer No	Ref. No	Manufacturer No	Ref. No	Manufacturer No	Ref. No
<b>PRO 537 018 0</b>		<b>Manac</b> 981-128969-03	<b>FREIGHTLINER</b> TDAS4497120230		
<b>Benalu</b> M058296		<b>MERITOR</b> S4497120180	<b>Fruehauf</b> M058431		
<b>CLAAS</b> 8351830		<b>Nooteboom</b> 8815 310020	M05843101 MO5843101		
<b>DAF</b> 1506061		<b>Paccar</b> 865699	<b>Goldhofer</b> 162657		
<b>FAYMONVILLE</b> 13491		<b>PETERBILT</b> S449-712-018-0	<b>Hendrickson</b> 4497120230		
<b>FREIGHTLINER</b> TDAS4497120180		<b>Renault</b> 5021170141	<b>IVECO</b> 9449712023		
<b>Fruehauf</b> CF371494 M058296 MO58296		<b>Scania</b> 1912312	<b>KÄSSBOHRER</b> 21150110041		
<b>Goldhofer</b> 162653		<b>Schmitz Cargobull</b> 51213 7176020000	<b>KEMPF</b> 2305020 2305020ALTERNATIV		
<b>Great Dane</b> 40500255		<b>SHOWA AIRCRAFT</b> A8188-003500	<b>KENWORTH</b> S449-712-023-0		
<b>Hendrickson</b> 4497120180		<b>Utility Trailer</b> 4497120180	<b>KÖGEL</b> 341981		
<b>Hyundai</b> 10033431		<b>VDL</b> 20279117 41156003	<b>KRONE</b> 5818310 58183100 505818310		
<b>KÄSSBOHRER</b> 7176020000		<b>Volvo</b> 3093242 WA4497120180 WAB4497120180	<b>Langendorf</b> 1110876		
<b>KEMPF</b> 2305503		<b>PRO 537 023 0</b>			
<b>KENWORTH</b> S449-712-018-0		<b>Benalu</b> M058431	<b>LIEBHERR</b> 10010261		
<b>KÖGEL</b> 341980 2341980		<b>DAF</b> 1505058	<b>Meiller</b> 79684270112650		
<b>Langendorf</b> 1110875		<b>Doll</b> 7029687	<b>MERITOR</b> S4497120230		
<b>LOHR</b> A05101394		<b>FAYMONVILLE</b> 8905	<b>Neoplan</b> 7173023		
<b>MACK</b> 6300-4497120180 8235-S4497120180		<b>Feldbinder</b> 865 8865	<b>Nooteboom</b> 310023 1552750		
<b>MAN</b> N2255200064			<b>Orthaus</b> 508068 50809802300		

Manufacturer No	Ref. No	Manufacturer No	Ref. No	Manufacturer No	Ref. No
<b>Otokar</b> AIF0637		<b>Scania</b> 1738452			7176022000 7788085000 SO51214
<b>Paccar</b> 1505058		<b>Schmitz Cargobull</b> 51276 SO51276 T2004493		<b>Schwarz Müller</b> 33684	
<b>PETERBILT</b> S449-712-023-0		<b>Schwarz Müller</b> 34254		<b>TEREX</b> 2153412	
<b>Renault</b> 5021170142		<b>SHOWA AIRCRAFT</b> A8188-012300		<b>Tirsan</b> 21150110011	
<b>Scania</b> 1788951		<b>Tirsan</b> 21150110007		<b>VAN HOOL</b> 10544069	
<b>Schmitz Cargobull</b> 51276 53996 4497120230		<b>VAN HOOL</b> 10522033		<b>Volvo</b> 3095724 WAB4497120380	
<b>Solaris</b> 1102905320		<b>Volvo</b> WA4497120300		<b>Zorzi</b> 6106028	
<b>Tirsan</b> 21150110041		<b>PRO 537 038 0</b>			<b>PRO 537 040 0</b>
<b>VDL</b> 41156004		<b>DAF</b> 1505060		<b>DAF</b> 867636	
<b>Volvo</b> WA4497120230		<b>FREIGHTLINER</b> TDAS4497120380		<b>FAYMONVILLE</b> 82016	
<b>Zorzi</b> 1070056		<b>Fruehauf</b> 1H312779603		<b>Feldbinder</b> 8864	
<b>PRO 537 030 0</b>		<b>Goldhofer</b> 162654		<b>IVECO</b> 5801110953	
<b>Benalu</b> M058318		<b>Hendrickson</b> 4497120380		<b>KEMPF</b> 2305525	
<b>DAF</b> 1505059		<b>KÄSSBOHRER</b> 7176022000 7788085000 1940(HENDRICKS)		<b>KÖGEL</b> 330417	
<b>Doll</b> 7028007		<b>KEMPF</b> 2305525ALTERNATIV		<b>Langendorf</b> 1110880	
<b>FAYMONVILLE</b> 1120		<b>KENWORTH</b> S449-712-038-0		<b>Meiller</b> 79684470121992	
<b>Feldbinder</b> 63169		<b>KRONE</b> 5811313 58113130		<b>Paccar</b> 867636	
<b>Fruehauf</b> M059318		<b>Langendorf</b> 1110879		<b>Scania</b> 2091317	
<b>Goldhofer</b> 163625		<b>LIEBHERR</b> 10010262		<b>Schmitz Cargobull</b> 1BREMSE0201	
<b>KÄSSBOHRER</b> 21150110007		<b>LOHR</b> A05101304		<b>Volvo</b> WA4497120400	
<b>KODAIRA INDUSTRIAL</b> VS70000133		<b>MACK</b> 6300-4497120380 8235-S4497120380		<b>PRO 537 051 0</b>	
<b>KÖGEL</b> 341982		<b>MAN</b> N2255200065		<b>DAF</b> 1505061	
<b>KRONE</b> 5811094 58110940 505811094		<b>MERITOR</b> S4497120380		<b>Doll</b> 7040303	
<b>Langendorf</b> 1110877		<b>NIPPON FRUEHAUF</b> 7385-267		<b>FAYMONVILLE</b> 8917	
<b>LIEBHERR</b> 104000106 502664408 502815701		<b>NIPPON TREX</b> 924301-00123		<b>Feldbinder</b> 854 8854	
<b>LOHR</b> 4497120300		<b>Nooteboom</b> 310021 1529250		<b>FREIGHTLINER</b> TDAS4497120510	
<b>MAN</b> N2955010109		<b>Paccar</b> 1505060		<b>Goldhofer</b> 162655	
<b>Meiller</b> 79684339017403		<b>PETERBILT</b> S449-712-038-0		<b>Hendrickson</b> 4497120510	
<b>NIPPON TREX</b> 924301-00122		<b>Renault</b> 5021170144		<b>Irizar</b> 8015554	
<b>Orthaus</b> 508070		<b>Scania</b> 1912313		<b>KÄSSBOHRER</b> 7176023000 7788086000 21150110010	
<b>Otokar</b> AIF0840		<b>Schmitz Cargobull</b> 51214 4497120380		<b>KENWORTH</b> S449-712-051-0	
<b>Paccar</b> 1505059				<b>KÖGEL</b> 330419	
<b>Renault</b> 5021170143				<b>KRONE</b> 5811089 58110890	



Manufacturer No	Ref. No	Manufacturer No	Ref. No	Manufacturer No	Ref. No
Langendorf	1110881	Goldhofer	163541	Goldhofer	163540
LIEBHERR	5010086 10167900 502663708	KÖGEL	328454 3284540	Hüffermann	6BA0010004
LOHR	4497120510	Langendorf	1110882	KÄSSBOHRER	21150110009
MACK	6300-4497120510 8235-S4497120510	LIEBHERR	502663608	KEMPF	2305520
Meiller	79696139004922	Meiller	79684639019947	KÖGEL	339637
MERITOR	S4497120510	Otokar	16N0803778AA	KRONE	5811098 58110980 505811098
NIPPON FRUEHAUF	7835-389	Paccar	1505062	Langendorf	1110886
Nootboom	2008950 3311373	Scania	2091318	LOHR	A05101315
Orthaus	50809805100	Volvo	WA4497120600	MERITOR	S4497121000
Paccar	1505061	<b>PRO 537 080 0</b>		NIPPON TREX	924301-00126
PETERBILT	S449-712-051-0	DAF	867637	Nootboom	1599220 3311371
Renault	5021170145	Doll	7055990	Orthaus	508075 50809810002
SAF	5400012800	FAYMONVILLE	8907	Paccar	871383
Scania	1784591	Feldbinder	61392	Scania	1738453
Schmitz Cargobull	51368 4497120510 7176023000 7788086000 S051368	Goldhofer	163639	Schmitz Cargobull	52144 SO52144
Schwarz Müller	33862	KEMPF	2305508	Schwarz Müller	33862
Tirsan	21150110010	KÖGEL	332398	Tirsan	21150110009
VAN HOOL	10545601	Langendorf	1110884	Trolley Boats LLC	4497121000
Volvo	8065627 WAB4497120510	LIEBHERR	502663508	VAN HOOL	10574059
Wabash National	11400191-03	Neoplan	7173080	Volvo	WA4497121000
<b>PRO 537 060 0</b>		Nootboom	15502 1077834		
DAF	1505062	Paccar	867637		
FAYMONVILLE	8906	Scania	1784592		
Feldbinder	8860	Schwarz Müller	35268		
		<b>PRO 537 100 0</b>			
		Alexander Dennis	65387712		
		DAF	871383		
		FAYMONVILLE	8908		
		Feldbinder	8836		

# PROPORTIONAL RELAY VALVE

The Proportional Relay Valve (PRV) is used in commercial vehicle electropneumatic braking systems as a setting element to regulate braking pressures on the front axle and to control coupling head pressures when used as a trailer control valve.

## Key features

- Control of the braking force of the vehicle
- Highly reliable, long-life durability compared to budget alternatives
- High corrosion resistance, proven in the 96 h Neutral Salt Spray Test
- Operating temperature range -40 °C ... +80 °C



FEATURE	OE ORIGINAL	PROVIA	AFTERMARKET AVERAGE*
Production process stability			
Leakage (cm <sup>3</sup> /min) after the endurance test			
Lifetime			

\* Average low specification alternative product



ProVia number	Working pressure	Output pressure	Max pressure	Supply voltage	Port 1	Port 2	Port 4	Silencer	Mounting screws
PRO 643 101 0	5...10 bar	10 bar	13 bar	24 +8/-6.5 V	M22x1.5	M22x1.5	M16x1.5	Yes	3x M8x20
PRO 643 102 0	5...10 bar	10 bar	13 bar	24 +8/-6.5 V	M22x1.5	M22x1.5	M16x1.5	Yes	3x M8x20
PRO 643 103 0	5...12.5 bar	10 bar	13 bar	24 +8/-6.5 V	M22x1.5	M22x1.5	M16x1.5	Yes	3x M8x20
PRO 643 104 0	5...12.5 bar	10 bar	13 bar	24 +8/-6.5 V	M22x1.5	M22x1.5	M16x1.5	Yes	3x M8x20

### Cross References ProVia Proportional Relay Valve

Manufacturer No	Ref. No	Manufacturer No	Ref. No	Manufacturer No	Ref. No
<b>PRO 643 101 0</b>		<b>VAN HOOL</b>	920924011	<b>KEMPF</b>	2103004
<b>DAEWOO</b>	3454403440	<b>VDL</b>	20297660 759010011	<b>MAN</b>	81521166010 81521166013 81521166014 81521166019 81521166020 81521166021 81521166022 81521166023 3864297044 42033847 42033849 42043782 42071349 42159063 81521166036
<b>DAF</b>	1315686 54296944 375215 361623 41032230	<b>PRO 643 102 0</b>		<b>MERCEDES-BENZ</b>	4293044 14296844 14299144 24298444 34291644 34295344 34295944 A0014296844 3864297044 42033847 42033849 42043782 42071349 42159063 81521166036
<b>EVOBUS</b>	A0054296944 A0054291244 A0044298644	<b>DAF</b>	1448019 1315686	<b>RENAULT</b>	5000243949
<b>FOTON</b>	1612935 610102	<b>EVOBUS</b>	A0054291344	<b>SCANIA</b>	2090234
<b>HINO</b>	446000096A	<b>LEYLAND DAF</b>	1448019	<b>VOLVO</b>	6886834
<b>HYUNDAI</b>	595107M000	<b>MAN</b>	N2521160022		
<b>IRISBUS</b>	41032230	<b>MERCEDES-BENZ</b>	54291344 A0054291344 44299344		
<b>IRIZAR</b>	8015516	<b>PACCAR</b>	1448019		
<b>IVECO</b>	41032230 54296944 375215 361623	<b>SCANIA</b>	1935137		
<b>LEYLAND DAF</b>	1315686	<b>SHAANXI</b>	DZ95259364001		
<b>MAN</b>	N1011063689	<b>VDL</b>	41448019		
<b>MERCEDES-BENZ</b>	54291244 54296944 A0054291244 A0054296944 44298644 A0044298644 375215 361623 41032230	<b>PRO 643 103 0</b>			
<b>OTOKAR</b>	16H1208526AA	<b>EVOBUS</b>	A0054298944		
<b>PACCAR</b>	1505280 1505288	<b>MERCEDES-BENZ</b>	A0054298944		
<b>SCANIA</b>	1935135	<b>PRO 643 104 0</b>			
<b>SCHWARZMÜLLER</b>	96643	<b>EVOBUS</b>	A0064290244		
<b>SOLARIS</b>	1102304000	<b>MERCEDES-BENZ</b>	A0064290244		
		<b>PRO 643 020 0</b>			
		<b>DAF</b>	1325332		
		<b>IRISBUS</b>	42033849		
		<b>IVECO</b>	4464164 42033847 42033849 42043782 42071349 115137 3864297044 42159063 81521166036		





# ELECTRONICALLY CONTROLLED AIR SUSPENSION

ECAS SOLENOID VALVE • ECAS DISTANCE SENSOR

# ECAS SOLENOID VALVE

In Electronically Controlled Air Suspension, Solenoid valve is the interface between electronic output signals from the electronic control unit and the pneumatic actuating signals for the air suspension bellows.

## Key Features

- Temperature range: -40 °C to +80 °C
- Working pressure: 5 – 13 bar
- Interface: electric connection type, pneumatic connection type, mounting screws position
- All variants (except PRO 412 004 0 and PRO 412 005 0) with silencer
- Port thread M22×1.5 according Voss 230 standard
- Electric pinned connectors according to DIN 72585 standard



FEATURE	OE ORIGINAL	PROVIA	AFTERMARKET AVERAGE*
Leakage -40 °C (cm <sup>3</sup> / min)			
Leakage +80 °C (cm <sup>3</sup> / min)			
Product lifetime			

\* Average low specification alternative product

## ProVia ECAS Solenoid Valve

ProVia number	Application	E-connection	Remark
PRO 412 000 0	Rear axle 2-point control (2 distance sensors)	1 bayonet DIN 72585-A1-4.1-Sn/K2	• Silencer on port 3
PRO 412 001 0	Rear axle 2-point control (2 distance sensors)	1 bayonet DIN 72585-A1-4.1-Sn/K2	• Silencer on port 3 • Port 21 closed
PRO 412 002 0	Rear axle 1-point control (1 distance sensor)	1 bayonet DIN 72585-A1-4.2-Sn/K1	• Transverse throttle • Silencer on port 3
PRO 412 003 0	Front axle 1-point control (1 distance sensor)	1 bayonet DIN 72585-A1-3.6-Sn/K2	• Transverse throttle • Ventilated via rear axle valve • Silencer on port 3
PRO 412 004 0	Front axle 1-point control (1 distance sensor)	1 bayonet DIN 72585-A1-2.1-Sn/K2	• Transverse throttle • Ventilated via rear axle valve
PRO 412 005 0	Front axle 1-point control (1 distance sensor)	1 bayonet DIN 72585-A1-3.6-Sn/K2	• Transverse throttle • Ventilated via rear axle valve

ProVia number	Application	E-connection	Remark
PRO 412 006 0	Front axle in buses	1 bayonet DIN 72585-A1-3.6-Sn/K2 1 bayonet DIN 72585-A1-4.1-Sn/K2	• Kneeling function • Ventilation function integrated • Silencer on port 3
PRO 412 007 0	Front axle in buses	1 bayonet DIN 72585-A1-3.6-Sn/K2 1 bayonet DIN 72585-A1-4.2-Sn/K2	• Kneeling function • Silencer on port 3

## Cross References ProVia ECAS Solenoid Valve

Manufacturer No	Ref. No	Manufacturer No	Ref. No	Manufacturer No	Ref. No
<b>PRO 412 000 0</b>		<b>Langendorf</b>	1111648	<b>YUTONG</b>	350601075
<b>EvoBus</b>	A0003278525	<b>Leyland DAF</b>	1302682	<b>PRO 412 002 0</b>	
<b>Hyundai</b>	558028KZZ0		1343254	<b>Alexander Dennis</b>	AB4729000550
<b>Kia</b>	558028KZZ0		ABRA180	<b>Ashok Leyland</b>	442562004
<b>Mercedes-Benz</b>	0003278525		ABRB811	<b>DAF</b>	1343255
<b>PRO 412 001 0</b>		<b>LOHR</b>	F00257376		1304587
<b>Alexander Dennis</b>	661657	<b>MAN</b>	81259026146	<b>Doll</b>	7055976
	AB4729000530		81259026239		7088657
	ABA0003276825		2Z0607361G	<b>FAW</b>	2941605-55A
<b>Daewoo</b>	3425002880		N2259026006	<b>FAYMONVILLE</b>	14177
<b>DAF</b>	1302682	<b>Mercedes-Benz</b>	A0003276725	<b>Feldbinder</b>	1042813
	1343254				083184
	1505294	<b>NATO</b>	4810123666446	<b>Goldhofer</b>	165646
	1506180	<b>Neoplan</b>	1101016529	<b>Irisbus</b>	41211012
<b>E.R.F.</b>	81259026146		81259026146	<b>Isuzu</b>	1825639780
<b>EvoBus</b>	A0003276725		81259026239	<b>IVECO</b>	41211012
<b>FAYMONVILLE</b>	13769	<b>Orthaus</b>	495068	<b>KÄSSBOHRER</b>	21145210032
<b>Ford</b>	4C463038AA	<b>Renault</b>	5010143096		21150110028
<b>Foton</b>	1618029600001		5010422345	<b>Kinglong</b>	29Y11-45020
<b>Hyundai</b>	559507K700	<b>Scania</b>	1383956	<b>KÖGEL</b>	339077
<b>Irisbus</b>	41211013		1934983	<b>KRONE</b>	5813398
	500310195	<b>Schmitz Cargobull</b>	1023612		505820672/0
<b>Irizar</b>	8015530	<b>Schwarz Müller</b>	36833	<b>Langendorf</b>	1111649
<b>Isuzu</b>	1825637130	<b>Solaris</b>	1021402002	<b>Leyland DAF</b>	1304587
<b>IVECO</b>	41211013	<b>VDL Bus</b>	41343254		ABRA090
	500310195		759000177		ABRB810
<b>Kinglong</b>	29Y11-45025		28220102600	<b>LOHR</b>	F00295081
<b>KRONE</b>	505820513	<b>Volvo</b>	20707211	<b>MAN</b>	81259026145
		<b>VW</b>	2Z0607361F		

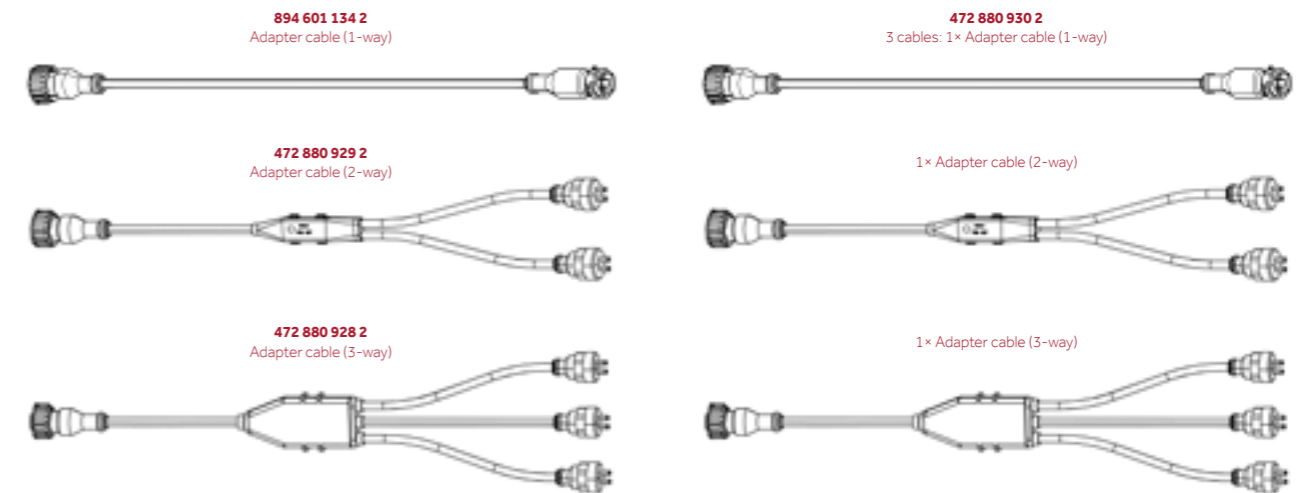
Manufacturer No	Ref. No	Manufacturer No	Ref. No	Manufacturer No	Ref. No	
	81259026238	<b>PRO 412 004 0</b>		EvoBus	A0003279725	
	81259029145		Mercedes-Benz	A0003278425	Foton	1618029600001
	N2259026005				Irizar	8015529
Meiller	798307/70009948	<b>PRO 412 005 0</b>		MAN	2Z0601361F	
	798857/70193564		Doll	7093146	Mercedes-Benz	A0003279725
Neoplan	81259026145		E.R.F.	81259026144	Shaanxi	6180J-3629112
Nootboom	16062	Goldhofer	168923	VDL Bus	41150130	
	3478624		Hyundai	558018R900		759000174
Renault	5010457434		Irisbus	41211011	VW	2Z0601361G
Scania	1934984	IVECO	41211011	YUTONG	3506-01316	
	1934991		Kia	558018R900	<b>PRO 412 007 0</b>	
Schmitz Cargobull	1066451		KRONE	5813774	Hyundai	558018KZZ0
	052540		505821128	KRONE	5813774	
	INS033-0018	MAN	81259026144		5813774/1	
Schwarz Müller	38091		81259029144	MAN	81259026144	
	93651	Renault	4729000540		81259026230	
Tirsan	21145210032		5010143097		81259029144	
	21150110028	Volvo	20734168	Neoplan	81259026230	
VDL Bus	9116823	<b>PRO 412 006 0</b>		Renault	5010143097	
Volvo	20707214	Alexander Dennis	662174			
<b>PRO 412 003 0</b>		DAF	1150130			
MAN	81259026237		1525422			
	82259026237					
Neoplan	81259026237					

## Replacement of ECAS1 valves by ProVia ECAS3 valves

A smooth changeover from an ECAS1 to an ECAS3 valve requires specific repair kits. You would need up to 3 repair kits to assure proper integration of the ECAS3 valve in the ECAS system of a vehicle. The repair kit types are shown below, grouped by their function.

### Solenoid valve connection

Repair kits are used to enable the transition from a M27 single solenoid type (ECAS1) to DIN bayonet solenoids (ECAS3).

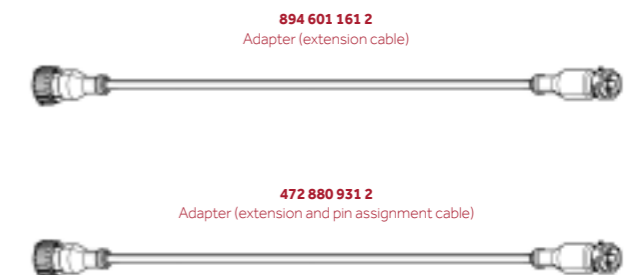


### Electrical connection

Repair kits assure the proper electrical port connection.

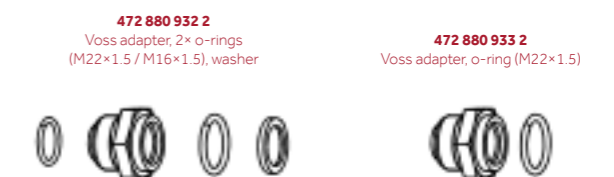
Repair kit 894 601 161 2 works as an extension and sets the pin assignments in the appropriate way.

Repair kit 472 880 931 2 - without extension - also converts the pin assignment in a socket.



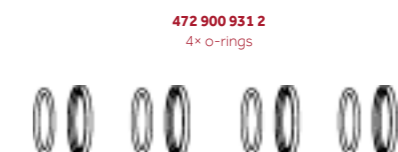
### Voss connection

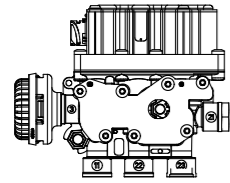
Specific ECAS1 variants have a M16×1.5 Voss pneumatic supply port while the ECAS3 are equipped with an M22×1.5 Voss port. The repair kits enable a reduction from M22×1.5 to M16×1.5 and assure tightness. The existing pneumatic connection of the vehicle can be used.



### Pneumatic connection

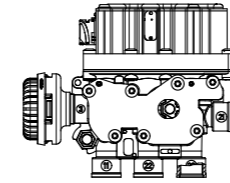
Specific ECAS1 valves have standard metric threads on all air ports while all ECAS3 valves have Voss metric connector threads. For these valves, the repair kit 472 900 931 2 must be used to make the air connection tight.





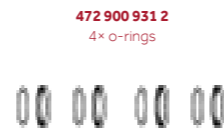
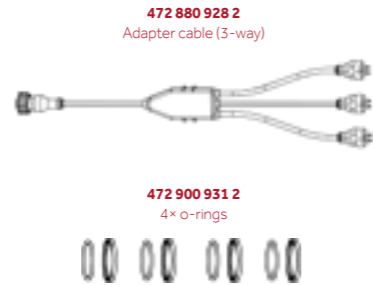
### Replacement of ECAS1 valves by ProVia ECAS3 valve PRO 412 001 0

PRO 412 001 0 with using repair kits below replaces the shown OE cross references.



### Replacement of ECAS1 valves by ProVia ECAS3 valve PRO 412 002 0

PRO 412 002 0 with using repair kits below replaces the shown OE cross references.



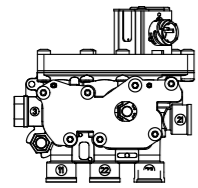
Manufacturer No	Ref. No	Manufacturer No	Ref. No	Manufacturer No	Ref. No
Alexander Dennis	AB4729000010	DAF	1505290	DAF	1518917
DAF	1249402		1505292	Irisbus	41003307
	1506152	EvoBus	8241562000	Iveco	41003307
	1505291R	MAN	81259026117		
	1506179	Neoplan	81259026117		
	527488	Paccar	1505290		
EvoBus	82416830000		1505292		
	A0003276225	SCANIA	1105670		
Faymonville	3545				
Irisbus	97106463				
	U401907801				
Langendorf	1111646				
MAN	1169000				
	81259026154				
Mercedes-Benz	A0003276225				
Neoplan	11016528				
	102140300				
	81259026154				
Paccar	1505291R				
Renault	5021170199				
SCANIA	1934986				
	2089751				
VDL Bus	1249402				
	41249402				



Manufacturer No	Ref. No	Manufacturer No	Ref. No	Manufacturer No	Ref. No
DAF	1249319	Goldhofer	164786	Irisbus	41003310
	1518916	MAN	81259026132	Iveco	41003310
Feldbinder	11594	Meiller	39004927		
Kögel	324471		796967		
Krone	505810491/0	Neoplan	81259026132		
MAN	1168275	Schmitz	050703		
	81259026155				
Neoplan	81259026155				
Paccar	ACHE898				
Renault	5010235153				
SCANIA	1347572				
	1934988				
Schmitz	051347				
VDL Bus	1249319				
	41249319				

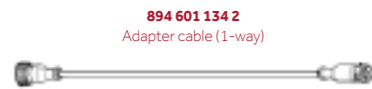


Manufacturer No	Ref. No
DAF	1506181
SCANIA	1934993

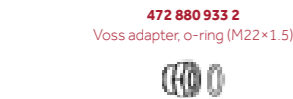


## Replacement of ECAS1 valves by ProVia ECAS3 valve PRO 412 005 0

PRO 412 005 0 with using repair kits below replaces the shown OE cross references.



894 601 134 2  
Adapter cable (1-way)



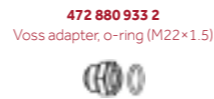
472 880 933 2  
Voss adapter, o-ring (M22x1.5)



472 880 933 2  
Voss adapter, o-ring (M22x1.5)



894 601 161 2  
Adapter (extension cable)

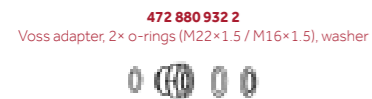


472 880 933 2  
Voss adapter, o-ring (M22x1.5)

Manufacturer No	Ref. No	Manufacturer No	Ref. No	Manufacturer No	Ref. No
EvoBus	A0003276325	Neoplan	81259026144	Renault	5010422018
Irisbus	U401907802				
Kögel	325209				
Krone	505810492 5810492				
MAN	81259026144				
Mercedes-Benz	A0003276325				
Neoplan	102140210				
SCANIA	1934989				



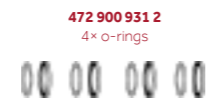
472 900 931 2  
4x o-rings



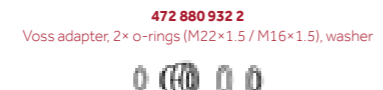
472 880 932 2  
Voss adapter, 2x o-rings (M22x1.5 / M16x1.5), washer



894 601 134 2  
Adapter cable (1-way)



472 900 931 2  
4x o-rings



472 880 932 2  
Voss adapter, 2x o-rings (M22x1.5 / M16x1.5), washer

Manufacturer No	Ref. No	Manufacturer No	Ref. No
Irisbus	41003308	EvoBus	8241563000
Iveco	41003308	MAN	1213753 81259026113
		Neoplan	11016526 102140200 81259026113
		Renault	5810112384
		Schmitz	50704

# ECAS DISTANCE SENSOR

In Electronically Controlled Air Suspension (ECAS), a distance sensor, connected to its axle via a lever arm, monitors the distance between the axle and the vehicle body, reporting to the ECU via sensor cable. This is the starting point in the electronic truck stability control process.

## Key Features

- Precision rotary movement of the armature
- Adapted to operate from either side of the vehicle
- Supply Voltage: PULSE 8 – 16 V DC
- Current consumption: max. 90 mA
- Electrical connection: Bayonet ISO 15170
- Thermal range: -40 °C to +80 °C
- Protection according to ISO 20653: IP 6K9K

ProVia number	Type of lever	Tolerance of characteristic curve
PRO 412 030 0	Straight lever	-
PRO 412 031 0	Cross lever	$t_{+50^\circ} - t_{0^\circ} = 150 \pm 8 \mu s$
PRO 412 032 0	Cross lever	$t_{+50^\circ} - t_{0^\circ} = 146 \pm 4 \mu s$
PRO 412 033 0	Cross lever	$t_{+50^\circ} - t_{0^\circ} = 142 \pm 8 \mu s$
PRO 412 020 0	-	-
PRO 412 021 0	-	-



### Cross References ProVia ECAS Distance Sensor

Manufacturer No	Ref. No	Manufacturer No	Ref. No	Manufacturer No	Ref. No
<b>PRO 412 030 0</b>					
Alexander Dennis	662172	Nootboom	3478622	FAW	3614315-Y671/A
DAF	1365935	Otokar	A-IF2063	Hyundai	558508D000
Doll	7119045	Paccar	1365935	Irisbus	41200708
FAYMONVILLE	214004	Renault	5010422344	IVECO	41200708
Irizar	8015544	Scania	1495828 1934584 2099046	Kia	558508D000
IVECO	M78121482	Schmitz Cargobull	1055349	MAN	81259370040
KÄSSBOHRER	21151103152	Schwarzmüller	86461	Mercedes-Benz	A0025426718
KÖGEL	6503143/0	Tirsan	21151103152	Scania	1448082 1934585
KRONE	515005712	VDL Bus	262643 2026243 759000181	<b>PRO 412 032 0</b>	
Langendorf	1273177	Volvo	WA4410501000	EvoBus	A0035422618
LECITRAILER	4501002	<b>PRO 412 031 0</b>		Mercedes-Benz	0035422618
Leyland DAF	1365935 ABRA506	CNHTC	WG9925715101/1	Paccar	1528811
LOHR	A05101487	Daewoo	3425002890	Scania	1934586
Meiller	798385/70182397	DAF	1524843	<b>PRO 412 033 0</b>	
NATO	6695123889365	EvoBus	A0025426718	MAN	81259370040
				Neoplan	81259370040







# TRAILER CONNECTION

COILED & STRAIGHT TUBES • COUPLING HEAD • ELECTRICAL ACCESSORIES

# COILED & STRAIGHT TUBES

ProVia coiled tubes are applied to pneumatic braking systems as a flexible connection between the towing vehicle and semi-trailer.



## Key Features

- A multilayer coiled tube
- The external layer of PA12 provides resistance to particular hazardous factors and works as a wear indicator
- Reduced complexity as ProVia variants are compatible with a wide range of OE systems
- Anti-kink part to prevent damaging coil
- Brass fittings
- Thermal range: from -40 °C to +100 °C
- All ProVia tubes fulfill the ISO7628 standard
- In addition coiled tubes are certified according to ISO7375

FEATURE	OE ORIGINAL	PROVIA	AFTERMARKET AVERAGE*
Material structure			
Chemical resistance			
Temperature range (°C)			
Surface protection of fittings			
Flexibility			

\* Average low specification alternative product

## Coiled Tubes

Standard: ISO 7375 / ISO 7628  
Working Length: 4 m  
Color: **Black**, Size: 12×1.5 mm  
Max. operating pressure: 10 bar

ProVia number	Fittings	Kink protection colour
PRO 711 056 0	M16×1.5 male / M16×1.5 male	Red
PRO 711 057 0	M16×1.5 male / M16×1.5 male	Yellow
PRO 711 058 0	M22×1.5 male / M22×1.5 male	Red
PRO 711 059 0	M22×1.5 male / M22×1.5 male	Yellow
PRO 711 060 0	M16×1.5 male / M18×1.5 female	Red
PRO 711 061 0	M16×1.5 male / M18×1.5 female	Yellow
PRO 711 062 0	M18×1.5 female / M18×1.5 female	Red
PRO 711 063 0	M18×1.5 female / M18×1.5 female	Yellow

## Straight Tubes

Standard: ISO 7628  
Color: **Black**  
Working Length: 25 m Max.  
operating pressure: 12.5 bar

ProVia number	Size
PRO 251 106 6	6×1.0 mm
PRO 251 108 6	8×1.0 mm
PRO 251 110 6	10×1.0 mm
PRO 251 112 6	12×1.5 mm
PRO 251 115 6	15×1.5 mm

# COUPLING HEAD

Enables the pneumatic connection between a truck and trailer. Delivers the ability to connect two separate lines of supply and control, preventing incorrect coupling.

## About

- Performance standard ISO 1728
- Simplified body design resistant to harsh weather conditions
- Robust cover protecting against dust



## Truck

- Automatic
- M16×1.5
- Supply + Service Line
- Yellow + Red
- With valve

## Trailer

- Standard
- M16×1.5
- Supply + Service Line
- Yellow + Red

FEATURE	OE ORIGINAL	PROVIA	AFTERMARKET AVERAGE*
Hardening			
Product life time (coupling / decoupling cycles)			
Lifetime (pressurizing and depressurizing)			
Corrosion resistance (hours)			
Leakage +80 °C (cm³ / min)			

\* Average low specification alternative product

ProVia number	Vehicle type	Standard	Cover	Port	Remark
PRO 200 221 0	Tractor	ISO 1728	Red	M16×1.5	with valve
PRO 200 222 0	Tractor	ISO 1728	Yellow	M16×1.5	with valve
PRO 200 021 0	Trailer	ISO 1728	Red	M16×1.5	free flow
PRO 200 022 0	Trailer	ISO 1728	Yellow	M16×1.5	free flow

# ELECTRICAL ACCESSORIES

ProVia's electrical accessory product range offers a comprehensive selection of solutions for connecting truck and trailer. The ProVia range includes sockets, plugs, adapter cables and 7-pole and 15-pole cables.

## Key Features

- Compatible with ABS (5-pole) & EBS (7-pole)
- Adapter cable allows connection from 15-pole to 2x 7-pole
- Screwed sockets with clear identification of pins, no special tools required for fitting
- **Cables:** 3.5 m working length; anti-kink protection; made from robust polyurethane
- **Sockets:** screw terminals and colour coding for easier wiring
- **Plugs:** seal protected
- Complete ProVia electrical accessory range is ADR/GGVS certified
- Operating range of -40 °C to +80 °C
- Coiled cable ABS/EBS 7-pole, socket 7-pin and plug 7-pole meet ISO 7638 standard
- Coiled cable 15-pole, adapter cable, socket 15-pin and plug 15-pole meet ISO 12098 standard



FEATURE	OE ORIGINAL	PROVIA	AFTERMARKET AVERAGE*
Temperature range (°C)			
Maximal extension length			
Coil diameter			
Number of coils			

\* Average low specification alternative product

## Coiled Cables

ProVia number	PRO 537 000 0	PRO 537 001 0	PRO 537 002 0
Product			
Description	Coiled Cable ABS/EBS 7-pole	Coiled Cable 15-pole	Adapter Coil 15-pole to 2x 7-pole
Voltage (V)	24 V	24 V	24 V
Number of Coils	29 ±2	26 ±2	36 ±2
Coil Overmolding Material	PU	PU	PU
Color of Coil	black	black	black
Coil Diameter	50 ±5	60 ±5	40 ±5
Working length	3.5 m	3.5 m	3.5 m
Permissible Cable Extension	4.0 m	4.0 m	4.0 m
Conductor Cross-Sections	3× 1.5 mm <sup>2</sup> + 2× 4 mm <sup>2</sup> + 2× 1.5 mm <sup>2</sup>	3× 2.5 mm <sup>2</sup> + 10× 1.5 mm <sup>2</sup> + 2× 1.5 mm <sup>2</sup>	6× 1.0 mm <sup>2</sup> + 1× 1.5 mm <sup>2</sup>
Temperature Range	-40 °C to +80 °C	-40 °C to +80 °C	-40 °C to +80 °C
Color Kink Protection	red	blue	black
Certifications	ISO 7638, ISO 4091, GGVS/ADR	ISO 12098, ISO 4091, GGVS/ADR	ISO 12098, ISO 4091, GGVS/ADR

## Plugs & Sockets

ProVia number	PRO 537 000 2	PRO 537 001 2	PRO 537 010 2	PRO 537 011 2
Product				
Description	Socket ABS/ EBS 7-pin	Socket 15-pin	Plug ABS/EBS 7-pole	Plug 15-pole
Voltage (V)	24 V	24 V	24 V	24 V
Temperature Range	-40 °C to +80 °C	-40 °C to +80 °C	-40 °C to +80 °C	-40 °C to +80 °C
Mounting Type of pins	screwed	screwed	screwed	screwed
Color Coding	✓	✓	✓	✓
Certifications	ISO 7638, ISO 4091, GGVS/ADR	ISO 12098, ISO 4091, GGVS/ADR	ISO 7638, ISO 4091, GGVS/ADR	ISO 12098, ISO 4091, ADR/GGVS



# INDEX LIST, CROSS REFERENCE LIST

INDEX BY PROVIA PART NAME • INDEX BY PROVIA NUMBER • REF. NO >> PROVIA NUMBER

# INDEX LISTS, CROSS REFERENCE LIST

## Index by ProVia part name

ProVia part name	Page	ProVia part name	Page	ProVia part name	Page
Air Dryer	36	Directional Control Valve	76	Pneumatic Clutch Actuator	68
Air Processing Unit	40	Double Diaphragm Spring Brake Actuator	24	Pressure Limiting Valve	47
Brake Chamber	10	ECAS Distance Sensor	109	Proportional Relay Valve	97
Brake Pads	29	ECAS Solenoid Valve	102	Quadruple Circuit Protection Valve	46
Cabin Levelling Valve	58	Electrical Accessories	116	Relay Emergency Valve	84
Cartridge	43	Electrically Controlled Air Dryer	39	Relay Valve	81
Chassis Levelling Valve	56	Foot Brake Valve	72	Rotary Slide Valve	63
Clutch Servo	66	Hand Brake Valve	74	Shock Absorber	60
Coiled & Straight Tubes	114	Heater	42	Spring Brake Actuator	18
Compressor Cylinder Head	51	Multiple Circuit Protection Valve	45	Trailer Release Valve	86
Coupling Head	115	Park Release Emergency Valve	78	Wheel Speed Sensor	90

## Index by ProVia number

ProVia number	Page	ProVia number	Page	ProVia number	Page
340 175 000 2	30	PRO 007 036 0	59	PRO 051 004 0	66
340 195 000 2	30	PRO 010 200 2	43	PRO 051 005 0	66
340 225 000 2	30	PRO 010 300 0	48	PRO 051 006 0	66
340 319 001 2	30	PRO 010 301 0	48	PRO 051 007 0	66
340 319 003 2	30	PRO 010 302 0	48	PRO 051 008 0	66
340 319 004 2	30	PRO 010 314 0	48	PRO 051 009 0	66
340 319 005 2	30	PRO 010 317 0	48	PRO 051 010 0	66
340 319 006 2	30	PRO 010 318 0	48	PRO 100 100 0	41
340 322 000 2	30	PRO 010 332 0	48	PRO 122 001 0	46
340 901 050 2	30	PRO 010 333 0	48	PRO 122 002 0	46
340 901 060 2	30	PRO 011 000 0	82	PRO 122 003 0	46
340 901 061 2	30	PRO 011 001 0	82	PRO 122 004 0	46
340 901 070 2	30	PRO 011 002 0	82	PRO 122 005 0	36
340 901 071 2	30	PRO 011 003 0	82	PRO 122 006 0	36
340 901 072 2	30	PRO 011 004 0	82	PRO 122 007 0	36
340 901 073 2	30	PRO 011 005 0	82	PRO 122 008 0	36
340 902 000 2	30	PRO 011 006 0	82	PRO 122 019 0	36
340 902 001 2	30	PRO 011 007 0	82	PRO 122 400 0	39
340 902 002 2	30	PRO 011 008 0	82	PRO 124 000 2	43
340 902 003 2	30	PRO 011 009 0	82	PRO 124 002 2	43
340 902 004 2	30	PRO 015 004 0	48	PRO 124 701 2	43
340 902 005 2	30	PRO 015 005 0	48	PRO 124 702 2	44
340 902 191 2	30	PRO 015 026 0	48	PRO 124 703 2	44
340 902 192 2	30	PRO 015 068 0	48	PRO 124 704 2	44
340 902 220 2	30	PRO 015 072 0	48	PRO 124 705 2	44
340 902 221 2	30	PRO 015 073 0	48	PRO 154 002 2	52
340 902 222 2	30	PRO 015 512 0	48	PRO 200 021 0	115
340 902 223 2	30	PRO 032 000 0	91	PRO 200 022 0	115
340 903 220 2	30	PRO 032 001 0	91	PRO 200 221 0	115
340 904 000 2	30	PRO 032 002 0	91	PRO 200 222 0	115
340 904 001 2	31	PRO 032 003 0	91	PRO 251 106 6	114
340 904 002 2	31	PRO 032 004 0	91	PRO 251 108 6	114
340 904 003 2	31	PRO 032 005 0	91	PRO 251 110 6	114
340 904 004 2	31	PRO 032 006 0	91	PRO 251 112 6	114
340 904 005 2	31	PRO 032 007 0	91	PRO 251 115 6	114
PRO 000 006 0	25	PRO 032 008 0	91	PRO 315 008 0	72
PRO 000 007 0	25	PRO 032 009 0	91	PRO 315 077 0	72
PRO 000 008 0	25	PRO 032 010 0	91	PRO 315 180 0	72
PRO 000 009 0	25	PRO 032 011 0	91	PRO 315 263 0	72
PRO 000 010 0	25	PRO 032 012 0	91	PRO 315 264 0	72
PRO 000 011 0	25	PRO 032 013 0	91	PRO 352 922 2	52
PRO 000 012 0	25	PRO 032 014 0	91	PRO 392 200 0	25
PRO 000 013 0	25	PRO 032 015 0	91	PRO 392 201 0	25
PRO 000 017 0	25	PRO 032 016 0	91	PRO 392 202 0	25
PRO 000 018 0	25	PRO 032 020 0	63	PRO 392 203 0	25
PRO 006 001 0	56	PRO 032 050 0	92	PRO 392 204 0	25
PRO 006 002 0	56	PRO 032 051 0	92	PRO 393 100 0	25
PRO 006 003 0	56	PRO 032 052 0	92	PRO 393 101 0	25
PRO 006 004 0	56	PRO 032 053 0	92	PRO 393 102 0	25
PRO 007 001 0	58	PRO 032 120 0	63	PRO 393 103 0	25
PRO 007 003 0	58	PRO 032 220 0	63	PRO 393 200 0	25
PRO 007 007 0	58	PRO 036 001 0	76	PRO 393 201 0	25
PRO 007 010 0	58	PRO 036 002 0	76	PRO 393 202 0	25
PRO 007 011 0	58	PRO 037 001 0	76	PRO 393 203 0	25
PRO 007 023 0	58	PRO 051 001 0	66	PRO 393 204 0	25
PRO 007 028 0	58	PRO 051 002 0	66	PRO 400 001 0	37
PRO 007 030 0	58	PRO 051 003 0	66	PRO 400 002 0	37

ProVia number	Page	ProVia number	Page	ProVia number	Page
PRO 400 920 2	42	PRO 537 030 0	94	PRO 704 932 2	52
PRO 410 001 0	37	PRO 537 038 0	94	PRO 711 056 0	114
PRO 410 002 0	37	PRO 537 040 0	94	PRO 711 057 0	114
PRO 410 003 0	37	PRO 537 051 0	94	PRO 711 058 0	114
PRO 410 004 0	37	PRO 537 060 0	94	PRO 711 059 0	114
PRO 410 920 2	42	PRO 537 080 0	94	PRO 711 060 0	114
PRO 411 006 0	68	PRO 537 100 0	94	PRO 711 061 0	114
PRO 411 011 0	66	PRO 600 320 0	60	PRO 711 062 0	114
PRO 411 031 0	66	PRO 600 321 0	60	PRO 711 063 0	114
PRO 411 300 0	66	PRO 600 322 0	60	PRO 712 019 0	25
PRO 412 000 0	102	PRO 600 323 0	60	PRO 712 712 0	27
PRO 412 001 0	102	PRO 600 325 0	60	PRO 712 713 0	27
PRO 412 002 0	102	PRO 600 328 0	60	PRO 712 715 0	27
PRO 412 003 0	102	PRO 601 066 0	60	PRO 712 716 0	27
PRO 412 004 0	102	PRO 601 067 0	60	PRO 714 000 0	13
PRO 412 005 0	102	PRO 601 068 0	60	PRO 714 000 0	12
PRO 412 006 0	103	PRO 601 069 0	60	PRO 714 007 0	12
PRO 412 007 0	103	PRO 601 070 0	60	PRO 714 007 0	13
PRO 412 020 0	109	PRO 601 071 0	60	PRO 714 015 0	13
PRO 412 021 0	109	PRO 601 072 0	61	PRO 714 015 0	12
PRO 412 030 0	109	PRO 601 073 0	61	PRO 714 016 0	12
PRO 412 031 0	109	PRO 601 074 0	61	PRO 714 016 0	13
PRO 412 032 0	109	PRO 601 077 0	61	PRO 714 019 0	10
PRO 412 033 0	109	PRO 601 078 0	61	PRO 714 019 0	12
PRO 417 004 0	59	PRO 604 134 0	61	PRO 714 020 0	11
PRO 417 025 0	59	PRO 643 000 0	82	PRO 714 020 0	12
PRO 417 034 0	59	PRO 643 001 0	48	PRO 714 030 0	11
PRO 420 001 0	19	PRO 643 002 0	82	PRO 714 030 0	12
PRO 421 002 0	20	PRO 643 003 0	82	PRO 714 241 0	11
PRO 421 004 0	20	PRO 643 004 0	82	PRO 714 241 0	12
PRO 430 001 0	20	PRO 643 020 0	82	PRO 714 242 0	11
PRO 431 001 0	20	PRO 643 031 0	49	PRO 714 242 0	12
PRO 432 001 0	20	PRO 643 037 0	49	PRO 714 244 0	11
PRO 461 101 0	19	PRO 643 083 0	49	PRO 714 244 0	12
PRO 480 010 0	19	PRO 643 101 0	97	PRO 714 245 0	11
PRO 481 012 0	19	PRO 643 102 0	97	PRO 714 245 0	12
PRO 481 050 0	19	PRO 643 103 0	97	PRO 714 330 0	11
PRO 491 001 0	20	PRO 643 104 0	97	PRO 714 330 0	12
PRO 491 002 0	20	PRO 643 307 0	49	PRO 714 710 0	11
PRO 491 003 0	20	PRO 643 308 0	49	PRO 714 710 0	12
PRO 491 004 0	20	PRO 643 325 0	49	PRO 934 005 0	45
PRO 492 001 0	20	PRO 643 328 0	49		
PRO 492 002 0	20	PRO 643 330 0	49		
PRO 492 003 0	20	PRO 643 331 0	49		
PRO 492 005 0	20	PRO 643 335 0	49		
PRO 492 006 0	20	PRO 643 339 0	49		
PRO 499 001 0	20	PRO 643 500 0	49		
PRO 510 920 2	52	PRO 645 000 0	75		
PRO 510 930 2	52	PRO 645 001 0	75		
PRO 527 001 0	86	PRO 645 002 0	75		
PRO 527 002 0	86	PRO 645 003 0	75		
PRO 527 004 0	86	PRO 645 004 0	75		
PRO 527 005 0	86	PRO 645 005 0	75		
PRO 527 006 0	86	PRO 645 006 0	75		
PRO 537 000 0	117	PRO 645 007 0	75		
PRO 537 000 2	117	PRO 645 008 0	75		
PRO 537 001 0	117	PRO 645 009 0	75		
PRO 537 001 2	117	PRO 645 010 0	75		
PRO 537 002 0	117	PRO 648 000 0	78		
PRO 537 010 2	117	PRO 648 001 0	84		
PRO 537 011 2	117	PRO 648 002 0	84		
PRO 537 018 0	94	PRO 648 003 0	84		
PRO 537 023 0	94	PRO 648 004 0	84		

# Ref. No » ProVia number

Ref. No	ProVia number / product	Page	Ref. No	ProVia number / product	Page
<b>ACERBI</b>					
431489	PRO 601 068 0 Shock Absorber	62	605252200	PRO 527 001 0 Trailer Release Valve	87
448897	PRO 601 068 0 Shock Absorber	62	605323000	PRO 527 004 0 Trailer Release Valve	87
449071	PRO 601 068 0 Shock Absorber	62	F001572	PRO 006 003 0 Chassis Levelling Valve	57
431806	PRO 601 071 0 Shock Absorber	62	F001882	PRO 032 020 0 Rotary Slide Valve	63
<b>Alexander Dennis</b>					
659826	PRO 051 006 0 Clutch servo	67	F005268	PRO 006 001 0 Chassis Levelling Valve	57
661657	PRO 412 001 0 ECAS Solenoid Valve	103	M058296	PRO 537 018 0 ABS Extension Cable	94
662172	PRO 412 030 0 ECAS Distance sensor	110	M058318	PRO 537 030 0 ABS Extension Cable	95
662174	PRO 412 006 0 ECAS Solenoid Valve	104	M058431	PRO 537 023 0 ABS Extension Cable	94
6573091	PRO 051 006 0 Clutch servo	67	<b>Bendix</b>		
65387712	PRO 537 100 0 ABS Extension Cable	96	295531	PRO 714 016 0 Brake Chamber Cam	16
4321059000	PRO 714 015 0 Brake Chamber Cam	15	295532	PRO 714 015 0 Brake Chamber Cam	15
AB4231069000	PRO 714 000 0 Brake Chamber Cam	13	295533	PRO 714 000 0 Brake Chamber Cam	13
AB4729000530	PRO 412 001 0 ECAS Solenoid Valve	103	295534	PRO 714 007 0 Brake Chamber Cam	15
AB4729000550	PRO 412 002 0 ECAS Solenoid Valve	103	295553	PRO 714 016 0 Brake Chamber Cam	16
AB9347142110	PRO 122 003 0 Quadruple Circuit Protection Valve	47	295554	PRO 714 015 0 Brake Chamber Cam	15
ABA0003276825	PRO 412 001 0 ECAS Solenoid Valve	103	295555	PRO 714 000 0 Brake Chamber Cam	13
DP002103	PRO 643 002 0 Relay Valve	83	295556	PRO 714 007 0 Brake Chamber Cam	15
DP002130	PRO 643 000 0 Relay Valve	83	<b>BERG</b>		
<b>Arfesan</b>					
1600000	PRO 714 016 0 Brake Chamber Cam	16	120360101	PRO 714 007 0 Brake Chamber Cam	15
1600004	PRO 714 016 0 Brake Chamber Cam	16	<b>BERTOJA</b>		
1610000	PRO 714 015 0 Brake Chamber Cam	15	423016002	PRO 601 077 0 Shock Absorber	62
1610014	PRO 714 015 0 Brake Chamber Cam	15	<b>BOLGAN</b>		
1610016	PRO 714 015 0 Brake Chamber Cam	15	30001003	PRO 601 077 0 Shock Absorber	62
1610021	PRO 714 015 0 Brake Chamber Cam	15	<b>BOSCH</b>		
1620021	PRO 714 000 0 Brake Chamber Cam	13	482022001	PRO 714 016 0 Brake Chamber Cam	16
1620037	PRO 714 000 0 Brake Chamber Cam	13	482022003	PRO 714 016 0 Brake Chamber Cam	16
1620049	PRO 714 000 0 Brake Chamber Cam	13	482022407	PRO 714 000 0 Brake Chamber Cam	13
1630000	PRO 714 007 0 Brake Chamber Cam	14	482022408	PRO 714 000 0 Brake Chamber Cam	13
1630007	PRO 714 007 0 Brake Chamber Cam	14	<b>Bosch Rexroth</b>		
<b>Ashok Leyland</b>					
442562004	PRO 412 002 0 ECAS Solenoid Valve	103	4231049000	PRO 714 016 0 Brake Chamber Cam	16
445332068	PRO 714 710 0 Brake Chamber Disc	12	4231059000	PRO 714 015 0 Brake Chamber Cam	15
<b>Automann</b>					
170.955.205	PRO 122 019 0 Air Dryer	37	4231069000	PRO 714 000 0 Brake Chamber Cam	13
<b>BATTAGLINO</b>					
2609000	PRO 601 066 0 Shock Absorber	61	4231079000	PRO 714 007 0 Brake Chamber Cam	15
2607000	PRO 601 077 0 Shock Absorber	62	<b>Bova</b>		
<b>BEDFORD</b>					
A4028470	PRO 714 000 0 Brake Chamber Cam	13	204552	340 901 070 2 Brake Pads	32
<b>Beiben</b>					
1288910046	PRO 007 030 0 Cabin Levelling Valve	59	<b>BPW</b>		
509-431-00-15	PRO 122 021 0 Air Dryer	37	203272700	PRO 714 016 0 Brake Chamber Cam	16
<b>Benalu</b>					
605107100	PRO 714 007 0 Brake Chamber Cam	14	203272900	PRO 714 007 0 Brake Chamber Cam	15
605109100	PRO 714 015 0 Brake Chamber Cam	15	203273100	PRO 714 000 0 Brake Chamber Cam	13
605110100	PRO 714 016 0 Brake Chamber Cam	16	203273200	PRO 714 015 0 Brake Chamber Cam	15
			203362000	PRO 714 015 0 Brake Chamber Cam	15
			243109200	PRO 006 003 0 Chassis Levelling Valve	57
			243113500	PRO 006 001 0 Chassis Levelling Valve	57
			544414010	PRO 714 015 0 Brake Chamber Cam	15
			544415010	PRO 714 000 0 Brake Chamber Cam	13
			544415100	PRO 714 000 0 Brake Chamber Cam	13
			544415110	PRO 714 000 0 Brake Chamber Cam	13
			544416010	PRO 714 007 0 Brake Chamber Cam	15
			544416100	PRO 714 007 0 Brake Chamber Cam	15

Ref. No	ProVia number / product	Page	Ref. No	ProVia number / product	Page
544416110	PRO 714 007 0 Brake Chamber Cam	15	<b>CNHCT</b>		
0203277000	PRO 714 710 0 Brake Chamber Disc	12	AZ87355500100	PRO 122 021 0 Air Dryer	37
0203277100	PRO 714 710 0 Brake Chamber Disc	12	WG1642440051/1	PRO 007 001 0 Cabin Levelling Valve	59
0243109600	PRO 643 307 0 Pressure Limiting Valve	50	WG8701230003	PRO 051 007 0 Clutch servo	67
05.444.40.01.0	PRO 712 712 0 DDSB Disc	28	WG9000360520/2	PRO 31 500 4 Foot Brake Valve	73
05.444.40.01.3	PRO 712 715 0 DDSB Disc	28	WG9000360521/1	PRO 122 021 0 Air Dryer	37
05.444.40.02.0	PRO 712 712 0 DDSB Disc	28	WG9000360521/2	PRO 122 021 0 Air Dryer	37
05.444.40.02.3	PRO 712 715 0 DDSB Disc	28	WG9719360005/1	PRO 315 077 0 Foot Brake Valve	73
05.444.44.01.0	PRO 712 713 0 DDSB Disc	28	WG9719360005/6	PRO 31 500 5 Foot Brake Valve	73
05.444.44.01.3	PRO 712 716 0 DDSB Disc	28	WG9725230041/1	PRO 411 021 0 Clutch servo	67
05.444.44.02.0	PRO 712 716 0 DDSB Disc	28	WG9725230041/2	PRO 051 007 0 Clutch servo	67
05.444.44.02.3	PRO 712 716 0 DDSB Disc	28	WG9725230041/4	PRO 051 007 0 Clutch servo	67
0544432010	PRO 714 710 0 Brake Chamber Disc	12	WG9725230051	PRO 411 025 0 Clutch servo	67
0544432020	PRO 714 710 0 Brake Chamber Disc	12	WG9725230051/2	PRO 051 007 0 Clutch servo	67
0980107550	340 319 003 2 Brake Pads	31	WG9925715101/1	PRO 412 031 0 ECAS Distance sensor	110
0980107570	340 319 004 2 Brake Pads	31			
243112800	PRO 032 020 0 Rotary Slide Valve	63	<b>C.V.S.</b>		
509290040	340 901 061 2 Brake Pads	31	590930	PRO 601 070 0 Shock Absorber	62
509290050	340 901 061 2 Brake Pads	31			
509290060	340 901 071 2 Brake Pads	32	<b>Daewoo</b>		
509290070	340 901 072 2 Brake Pads	32	3329101150	PRO 051 004 0 Clutch servo	67
509290080	340 901 071 2 Brake Pads	32	3329101151	PRO 051 004 0 Clutch servo	67
509290090	340 901 072 2 Brake Pads	32	3425002880	PRO 412 001 0 ECAS Solenoid Valve	103
509290100	340 901 061 2 Brake Pads	31	3425002890	PRO 412 031 0 ECAS Distance sensor	110
509290220	340 901 061 2 Brake Pads	31	3454403440	PRO 643 101 0 Proportional Relay Valve	98
509290230	340 901 071 2 Brake Pads	32	3454402440	PRO 010 300 0 Pressure Limiting Valve	49
536270020	340 901 070 2 Brake Pads	32	4750103010	PRO 010 301 0 Pressure Limiting Valve	49
980102570	340 901 070 2 Brake Pads	32			
980102750	340 901 061 2 Brake Pads	31	<b>DAF</b>		
980102920	340 901 070 2 Brake Pads	32	371274	PRO 645 007 0 Hand Brake Valve	75
980102930	340 901 061 2 Brake Pads	31	705707	PRO 714 007 0 Brake Chamber Cam	15
980106200	340 901 072 2 Brake Pads	32	721180	PRO 714 016 0 Brake Chamber Cam	16
980106210	340 901 061 2 Brake Pads	32	735929	PRO 714 016 0 Brake Chamber Cam	16
980106350	340 901 061 2 Brake Pads	32	745398	PRO 714 016 0 Brake Chamber Cam	16
980106360	340 901 070 2 Brake Pads	32	834481	PRO 714 016 0 Brake Chamber Cam	16
980106430	340 901 061 2 Brake Pads	32	834482	PRO 714 015 0 Brake Chamber Cam	15
980106440	340 901 071 2 Brake Pads	32	834483	PRO 714 000 0 Brake Chamber Cam	13
980106450	340 901 072 2 Brake Pads	32	834484	PRO 714 007 0 Brake Chamber Cam	15
980106950	340 901 071 2 Brake Pads	32	867636	PRO 537 040 0 ABS Extension Cable	95
980106960	340 901 072 2 Brake Pads	32	867637	PRO 537 080 0 ABS Extension Cable	95
980107090	340 901 061 2 Brake Pads	32	871383	PRO 537 100 0 ABS Extension Cable	95
980107240	340 901 061 2 Brake Pads	32	908049	PRO 648 000 0 Park Release Emergency Valve	79
980107250	340 901 072 2 Brake Pads	32	1150130	PRO 412 006 0 ECAS Solenoid Valve	102
980107260	340 901 071 2 Brake Pads	32	1302103	PRO 643 004 0 Relay Valve	83
980108150	340 901 061 2 Brake Pads	32	1302682	PRO 412 001 0 ECAS Solenoid Valve	101
980108160	340 901 071 2 Brake Pads	32	1309813	PRO 645 005 0 Hand Brake Valve	75
980108170	340 901 072 2 Brake Pads	32	1343254	PRO 412 001 0 ECAS Solenoid Valve	101
			1343255	PRO 412 002 0 ECAS Solenoid Valve	101
			1365935	PRO 412 030 0 ECAS Distance sensor	108
<b>CAMC</b>			1503133	PRO 643 307 0 Pressure Limiting Valve	50
50H08-01060	PRO 007 030 0 Cabin Levelling Valve	59	1505034	PRO 122 005 0 Air Dryer	37
			1505058	PRO 537 023 0 ABS Extension Cable	94
<b>CASE IH</b>			1505059	PRO 537 030 0 ABS Extension Cable	94
84012958	PRO 714 007 0 Brake Chamber Cam	15	1505060	PRO 537 038 0 ABS Extension Cable	94
84014961	PRO 714 000 0 Brake Chamber Cam	13	1505061	PRO 537 051 0 ABS Extension Cable	95
84320807	PRO 714 016 0 Brake Chamber Cam	16	1505062	PRO 537 060 0 ABS Extension Cable	95
			1505096	PRO 643 031 0 Pressure Limiting Valve	50
<b>CARDI</b>			1505143	PRO 051 008 0 Clutch servo	67
500900	PRO 601 077 0 Shock Absorber	62	1505150	PRO 643 000 0 Relay Valve	83
			1505294	PRO 412 001 0 ECAS Solenoid Valve	103
<b>CLAAS</b>			1505331	PRO 645 008 0 Hand Brake Valve	75
8351830	PRO 537 018 0 ABS Extension Cable	94	1505340	PRO 645 002 0 Hand Brake Valve	75
			1506061	PRO 537 018 0 ABS Extension Cable	94

Ref. No	ProVia number / product	Page	Ref. No	ProVia number / product	Page
1506180	PRO 412 001 0 ECAS Solenoid Valve	103	1517895	PRO 015 004 0 Pressure Limiting Valve	50
1506390	PRO 421 004 0 Spring Brake Actuator	21	1517963	PRO 410 003 0 Air Dryer	38
1506464	PRO 051 008 0 Clutch servo	67	1517964	PRO 122 006 0 Air Dryer	37
1506465	PRO 051 002 0 Clutch servo	67	1517967	PRO 410 004 0 Air Dryer	38
1506466	PRO 051 004 0 Clutch servo	67	1517970	PRO 122 006 0 Air Dryer	37
1506467	PRO 051 006 0 Clutch servo	67	1518008	PRO 032 003 0 Wheel Speed Sensor	92
1506468	PRO 051 008 0 Clutch servo	67	1518009	PRO 032 011 0 Wheel Speed Sensor	93
1517965	PRO 122 005 0 Air Dryer	37	1518065	PRO 315 264 0 Foot Brake Valve	73
1517978	PRO 122 008 0 Air Dryer	37	1518113	PRO 010 301 0 Pressure Limiting Valve	49
1518117	PRO 643 325 0 Pressure Limiting Valve	50	1518115	PRO 010 314 0 Pressure Limiting Valve	49
1518261	PRO 648 000 0 Pressure Release Emergency Valve	79	1518116	PRO 010 317 0 Pressure Limiting Valve	49
1518674	PRO 122 005 0 Air Dryer	37	1518168	PRO 400 001 0 Air Dryer	37
1524294	PRO 645 006 0 Hand Brake Valve	75	1518267	PRO 011 003 0 Relay Valve	83
1524321	PRO 645 000 0 Hand Brake Valve	75	1518271	PRO 011 000 0 Relay Valve	83
1524322	PRO 645 001 0 Hand Brake Valve	75	1518724	PRO 032 000 0 Wheel Speed Sensor	92
1524802	PRO 645 006 0 Hand Brake Valve	75	1519152	PRO 420 001 0 Spring Brake Actuator	21
1524843	PRO 412 031 0 ECAS Distance sensor	110	1519158	PRO 421 002 0 Spring Brake Actuator	21
1525422	PRO 412 006 0 ECAS Solenoid Valve	104	1519162	PRO 492 006 0 Spring Brake Actuator	23
1526572	PRO 492 006 0 Spring Brake Actuator	23	1519176R	PRO 430 001 0 Spring Brake Actuator	21
1527600	PRO 051 003 0 Clutch servo	67	1519202R	PRO 400 001 0 Air Dryer	37
0867215R	PRO 421 002 0 Spring Brake Actuator	21	1519211R	PRO 934 005 0 Multiple Circuit Protection Valve	45
1270263	PRO 492 006 0 Spring Brake Actuator	23	1519310	PRO 648 003 0 Relay Emergency Valve	85
1304587	PRO 412 002 0 ECAS Solenoid Valve	103	1519312	PRO 648 004 0 Relay Emergency Valve	85
1315698	PRO 032 000 0 Wheel Speed Sensor	92	1519332	PRO 011 001 0 Relay Valve	83
1359971	PRO 648 001 0 Relay Emergency Valve	85	1519378	PRO 481 012 0 Spring Brake Actuator	22
1361393	PRO 032 000 0 Wheel Speed Sensor	92	1519442	PRO 480 010 0 Spring Brake Actuator	22
1391510	PRO 124 000 2 Compact Cartridge	44	1522226	PRO 315 263 0 Foot Brake Valve	73
1400071	PRO 032 010 0 Wheel Speed Sensor	93	1523549	PRO 421 002 0 Spring Brake Actuator	21
1406784	PRO 010 302 0 Pressure Limiting Valve	49	1523549R	PRO 421 002 0 Spring Brake Actuator	21
1436901	340 175 000 2 Brake Pads	31	1524015	PRO 015 072 0 Pressure Limiting Valve	50
1439324	340 901 070 2 Brake Pads	32	1524581	PRO 480 010 0 Spring Brake Actuator	22
1439553	PRO 124 000 2 Compact Cartridge	44	1524828	PRO 032 004 0 Wheel Speed Sensor	92
1487296	PRO 421 002 0 Spring Brake Actuator	21	1526796	PRO 400 001 0 Air Dryer	37
1487296R	PRO 421 002 0 Spring Brake Actuator	21	1527168R	PRO 481 050 0 Spring Brake Actuator	22
1504903	PRO 011 002 0 Relay Valve	83	1527601R	PRO 481 050 0 Spring Brake Actuator	22
1504929	PRO 032 001 0 Wheel Speed Sensor	92	1528230R	PRO 481 050 0 Spring Brake Actuator	22
1504951	PRO 032 000 0 Wheel Speed Sensor	92	1530832	PRO 480 010 0 Spring Brake Actuator	22
1504971	PRO 315 180 0 Foot Brake Valve	73	1530833	PRO 480 010 0 Spring Brake Actuator	22
1505033R	PRO 122 005 0 Air Dryer	37	1531495	PRO 032 011 0 Wheel Speed Sensor	93
1505081	PRO 007 001 0 Cabin Levelling Valve	59	1531547	PRO 015 072 0 Pressure Limiting Valve	50
1505095	PRO 015 005 0 Pressure Limiting Valve	50	1531548	PRO 010 333 0 Pressure Limiting Valve	49
1505097	PRO 015 072 0 Pressure Limiting Valve	50	1531568	PRO 010 318 0 Pressure Limiting Valve	49
1505114R	PRO 430 001 0 Spring Brake Actuator	21	1617343	340 901 070 2 Brake Pads	32
1505115R	PRO 431 001 0 Spring Brake Actuator	21	1628064	340 195 000 2 Brake Pads	31
1505119	PRO 400 001 0 Air Dryer	37	1725688	PRO 015 068 0 Pressure Limiting Valve	50
1505128	PRO 934 005 0 Multiple Circuit Protection Valve	45	1778552	PRO 032 000 0 Wheel Speed Sensor	92
1505191R	PRO 420 001 0 Spring Brake Actuator	21	1778554	PRO 032 000 0 Wheel Speed Sensor	92
1505198R	PRO 430 001 0 Spring Brake Actuator	21	1797053	340 901 070 2 Brake Pads	32
1505199R	PRO 431 001 0 Spring Brake Actuator	21	1800830	340 901 070 2 Brake Pads	32
1505215	PRO 032 003 0 Wheel Speed Sensor	92	1850203	PRO 032 007 0 Wheel Speed Sensor	93
1505230	PRO 100 100 0 Air Processing Unit	41	1862600	PRO 032 007 0 Wheel Speed Sensor	93
1505241	PRO 714 710 0 Brake Chamber Disc	12	1862602	PRO 032 008 0 Wheel Speed Sensor	93
1505392	PRO 010 300 0 Pressure Limiting Valve	49	1869290	PRO 032 008 0 Wheel Speed Sensor	93
1505410	PRO 011 004 0 Relay Valve	83	1870628	PRO 032 007 0 Wheel Speed Sensor	93
1505463R	PRO 491 001 0 Spring Brake Actuator	22	1878030	340 901 070 2 Brake Pads	32
1505967	PRO 410 003 0 Air Dryer	38	5021172710	PRO 011 004 0 Relay Valve	83
1506003	PRO 032 001 0 Wheel Speed Sensor	92	759050	PRO 007 001 0 Cabin Levelling Valve	59
1506100	PRO 032 020 0 Rotary Slide Valve	63	867215	PRO 421 002 0 Spring Brake Actuator	21
1506149	PRO 032 010 0 Wheel Speed Sensor	93	884491	PRO 461 101 0 Spring Brake Actuator	21
1506409	PRO 400 001 0 Air Dryer	37	906782	PRO 015 512 0 Pressure Limiting Valve	50
1506410	PRO 400 001 0 Air Dryer	37	EXABRB613	PRO 006 001 0 Chassis Levelling Valve	57
1506485	PRO 011 006 0 Relay Valve	83	882965	PRO 122 400 0 Electrically Controlled Air Dryer	40
1506681	PRO 480 010 0 Spring Brake Actuator	22	883259	PRO 122 400 0 Electrically Controlled Air Dryer	40

Ref. No	ProVia number / product	Page	Ref. No	ProVia number / product	Page
905341	PRO 122 400 0 Electrically Controlled Air Dryer.....	40	1253023000	PRO 714 007 0 Brake Chamber Cam .....	15
1526541	PRO 124 702 2 Compact Cartridge.....	44	1253024000	PRO 714 007 0 Brake Chamber Cam .....	15
1681575	PRO 124 704 2 Compact Cartridge.....	44	1551614000	PRO 714 016 0 Brake Chamber Cam .....	16
1821580	PRO 124 704 2 Compact Cartridge.....	44	<b>DAMBROZ</b>		
1891431	PRO 124 704 2 Compact Cartridge.....	44	997904020	PRO 648 000 0 Park Release Emergency Valve.....	80
1282623	PRO 600 320 0 Shock Absorber .....	61	<b>Dennis</b>		
1282624	PRO 600 320 0 Shock Absorber .....	61	6597421	340 195 000 2 Brake Pads .....	31
1283732	PRO 600 320 0 Shock Absorber .....	61	<b>DF</b>		
1328748	PRO 600 320 0 Shock Absorber .....	61	1608010-T1102	PRO 411 004 0 Clutch servo.....	67
222773	PRO 600 320 0 Shock Absorber .....	61	1608010-T1103	PRO 411 005 0 Clutch servo.....	67
252620	PRO 600 320 0 Shock Absorber .....	61	1608Z36-001	PRO 411 000 0 Clutch servo.....	67
256260	PRO 600 320 0 Shock Absorber .....	61	3514010-9002	PRO 31 500 9 Foot Brake Valve.....	73
360585	PRO 600 320 0 Shock Absorber .....	61	5001090-C1100	PRO 007 001 0 Cabin Levelling Valve .....	59
380585	PRO 600 320 0 Shock Absorber .....	61	5001090-C6100	PRO 007 001 0 Cabin Levelling Valve .....	59
740021	PRO 600 320 0 Shock Absorber .....	61	<b>DFLQ</b>		
1527411	PRO 601 067 0 Shock Absorber.....	62	9325001120	PRO 122 017 0 Air Processing Unit.....	41
1518083	PRO 036 001 0 Directional Control Valve.....	77	9325001130	PRO 122 018 0 Air Processing Unit.....	41
1524824	PRO 036 001 0 Directional Control Valve.....	77	K000574	PRO 122 017 0 Air Processing Unit.....	41
1518089	PRO 037 001 Directional Control Valve.....	77	RY3332VX-3543010	PRO 122 017 0 Air Processing Unit.....	41
1315686	PRO 643 101 0 Proportional Relay Valve .....	98	<b>Doll</b>		
54296944	PRO 643 101 0 Proportional Relay Valve .....	98	7028007	PRO 537 030 0 ABS Extension Cable.....	95
375215	PRO 643 101 0 Proportional Relay Valve .....	98	7029687	PRO 537 023 0 ABS Extension Cable.....	94
361623	PRO 643 101 0 Proportional Relay Valve .....	98	7040303	PRO 537 051 0 ABS Extension Cable.....	95
41032230	PRO 643 101 0 Proportional Relay Valve .....	98	7055976	PRO 412 002 0 ECAS Solenoid Valve .....	103
1448019	PRO 643 102 0 Proportional Relay Valve .....	98	7055990	PRO 537 080 0 ABS Extension Cable.....	96
1315686	PRO 643 102 0 Proportional Relay Valve .....	98	7086972	PRO 648 000 0 Park Release Emergency Valve.....	79
1325332	PRO 643 020 0 Proportional Relay Valve .....	98	7088657	PRO 412 002 0 ECAS Solenoid Valve .....	103
<b>DAIMLER</b>			7093146	PRO 412 005 0 ECAS Solenoid Valve .....	104
A0004292097	PRO 124 705 2 Compact Cartridge.....	44	7119045	PRO 412 030 0 ECAS Distance sensor .....	110
<b>DAHL</b>			7069646	PRO 527 005 0 Trailer Release Valve .....	87
1251615000	PRO 714 016 0 Brake Chamber Cam .....	16	8143280	PRO 006 003 0 Chassis Levelling Valve.....	57
1252000000	PRO 714 015 0 Brake Chamber Cam .....	15	<b>DTNA</b>		
1252010000	PRO 714 015 0 Brake Chamber Cam .....	15	18-28710-000	PRO 417 004 0 Cabin Levelling Valve .....	59
1252011000	PRO 714 015 0 Brake Chamber Cam .....	15	<b>E.R.F.</b>		
1252014000	PRO 714 015 0 Brake Chamber Cam .....	15	81259026144	PRO 412 005 0 ECAS Solenoid Valve .....	104
1252015000	PRO 714 015 0 Brake Chamber Cam .....	15	81259026146	PRO 412 001 0 ECAS Solenoid Valve .....	103
1252021000	PRO 714 015 0 Brake Chamber Cam .....	15	1260680	PRO 006 001 0 Chassis Levelling Valve.....	57
1252400000	PRO 714 000 0 Brake Chamber Cam .....	13	4027060	PRO 006 003 0 Chassis Levelling Valve.....	57
1252401000	PRO 714 000 0 Brake Chamber Cam .....	13	81521166070	PRO 011 006 0 Relay Valve.....	83
1252410000	PRO 714 000 0 Brake Chamber Cam .....	13	<b>EGSA</b>		
1252411000	PRO 714 000 0 Brake Chamber Cam .....	13	2402000104	PRO 648 000 0 Park Release Emergency Valve.....	79
1252412000	PRO 714 000 0 Brake Chamber Cam .....	13	<b>ENGATCAR</b>		
1252413000	PRO 714 000 0 Brake Chamber Cam .....	13	420273C	PRO 648 000 0 Park Release Emergency Valve.....	79
1252414000	PRO 714 000 0 Brake Chamber Cam .....	13	<b>Europart</b>		
1252415000	PRO 714 000 0 Brake Chamber Cam .....	13	3400033198	PRO 714 016 0 Brake Chamber Cam .....	16
1252420000	PRO 714 000 0 Brake Chamber Cam .....	14	3405335300	PRO 714 016 0 Brake Chamber Cam .....	16
1252421000	PRO 714 000 0 Brake Chamber Cam .....	14	3419836580	PRO 714 016 0 Brake Chamber Cam .....	16
1252422000	PRO 714 000 0 Brake Chamber Cam .....	14	3450406745	PRO 714 016 0 Brake Chamber Cam .....	16
1252423000	PRO 714 000 0 Brake Chamber Cam .....	14	3990006650	PRO 714 000 0 Brake Chamber Cam .....	14
1252424000	PRO 714 000 0 Brake Chamber Cam .....	14	<b>EvoBus</b>		
1253000000	PRO 714 007 0 Brake Chamber Cam .....	15	8283569000	PRO 714 016 0 Brake Chamber Cam .....	16
1253010000	PRO 714 007 0 Brake Chamber Cam .....	15	8283572000	PRO 714 007 0 Brake Chamber Cam .....	15
1253011000	PRO 714 007 0 Brake Chamber Cam .....	15			
1253012000	PRO 714 007 0 Brake Chamber Cam .....	15			
1253013000	PRO 714 007 0 Brake Chamber Cam .....	15			
1253014000	PRO 714 007 0 Brake Chamber Cam .....	15			
1253015000	PRO 714 007 0 Brake Chamber Cam .....	15			
1253016000	PRO 714 007 0 Brake Chamber Cam .....	15			
1253020000	PRO 714 007 0 Brake Chamber Cam .....	15			
1253021000	PRO 714 007 0 Brake Chamber Cam .....	15			
1253022000	PRO 714 007 0 Brake Chamber Cam .....	15			

Ref. No	ProVia number / product	Page	Ref. No	ProVia number / product	Page
8283850000	PRO 714 007 0 Brake Chamber Cam .....	15	A6984203721	PRO 714 015 0 Brake Chamber Cam .....	15
89199797614	PRO 714 007 0 Brake Chamber Cam .....	15	A6994200724	PRO 714 015 0 Brake Chamber Cam .....	15
1935482	PRO 100 100 0 Air Processing Unit.....	41	A0054296944	PRO 643 101 0 Proportional Relay Valve.....	98
8025172000	PRO 032 020 0 Rotary Slide Valve.....	63	A0054291244	PRO 643 101 0 Proportional Relay Valve.....	98
8285407000	PRO 410 003 0 Air Dryer.....	38	A0044298644	PRO 643 101 0 Proportional Relay Valve.....	98
82854085340	340 902 002 2 Brake Pads .....	32	A0054291344	PRO 643 102 0 Proportional Relay Valve.....	98
8285499000	PRO 006 001 0 Chassis Levelling Valve.....	57	A0054298944	PRO 643 103 0 Proportional Relay Valve.....	98
A0002540047	PRO 051 008 0 Clutch servo.....	67	A0064290244	PRO 643 104 0 Proportional Relay Valve.....	98
A0002541247	PRO 051 008 0 Clutch servo.....	67	<b>FACCHINI</b>		
A0002952818	PRO 051 008 0 Clutch servo.....	67	308712972	PRO 648 000 0 Park Release Emergency Valve.....	79
A0003276725	PRO 412 001 0 ECAS Solenoid Valve .....	103	<b>FAUN</b>		
A0003278525	PRO 412 000 0 ECAS Solenoid Valve .....	103	99707005415	PRO 643 003 0 Relay Valve.....	83
A0003279725	PRO 412 006 0 ECAS Solenoid Valve .....	104	99707766160	PRO 643 308 0 Pressure Limiting Valve.....	50
A0003284530	PRO 007 011 0 Cabin Levelling Valve .....	59	99707007090	PRO 032 009 0 Wheel Speed Sensor .....	93
A0004301215	PRO 400 001 0 Air Dryer.....	38	<b>FAW</b>		
A0004301315	PRO 400 001 0 Air Dryer.....	38	1602300-367	PRO 411 001 0 Clutch servo.....	67
A0004301515	PRO 400 002 0 Air Dryer.....	38	1602300A363	PRO 411 002 0 Clutch servo.....	67
A0004302915	PRO 400 001 0 Air Dryer.....	38	160230576A	PRO 051 006 0 Clutch servo.....	67
A0004303015	PRO 400 001 0 Air Dryer.....	38	1602305A70A	PRO 051 004 0 Clutch servo.....	67
A0004309815	PRO 400 001 0 Air Dryer.....	38	1602305A70A	PRO 411 023 0 Clutch servo.....	67
A0014312215	PRO 122 008 0 Air Dryer.....	37	1602305A70A/B	PRO 051 005 0 Clutch servo.....	67
A0014312315	PRO 122 006 0 Air Dryer.....	37	1602305A7A	PRO 051 005 0 Clutch servo.....	67
A0014318115	PRO 100 100 0 Air Processing Unit.....	41	1602350-D849	PRO 411 030 0 Clutch servo.....	67
A0014318305	PRO 315 008 0 Foot Brake Valve.....	73	16080180030	PRO 411 003 0 Clutch servo.....	67
A0015423118	PRO 032 003 0 Wheel Speed Sensor .....	92	2941605-55A	PRO 412 002 0 ECAS Solenoid Valve .....	103
A0015423318	PRO 032 011 0 Wheel Speed Sensor .....	93	3514010-50A	PRO 315 000 0 Foot Brake Valve.....	73
A0015426818	PRO 032 002 0 Wheel Speed Sensor .....	92	3515020-73A	PRO 122 018 0 Air Processing Unit.....	41
A0015428718	PRO 032 003 0 Wheel Speed Sensor .....	92	3515020-73A/C	PRO 122 018 0 Air Processing Unit.....	41
A0015428818	PRO 032 011 0 Wheel Speed Sensor .....	93	3515020-73AWA	PRO 122 018 0 Air Processing Unit.....	41
A0015428918	PRO 032 011 0 Wheel Speed Sensor .....	93	3515020-73B	PRO 122 018 0 Air Processing Unit.....	41
A0019050400	PRO 032 010 0 Wheel Speed Sensor .....	93	3614315-Y671/A	PRO 412 031 0 ECAS Distance sensor .....	110
A0024310415	PRO 100 100 0 Air Processing Unit.....	41	5001075CA/01-C00/B	PRO 007 030 0 Cabin Levelling Valve .....	59
A0024310515	PRO 100 100 0 Air Processing Unit.....	41	5001075CA01/A	PRO 007 030 0 Cabin Levelling Valve .....	59
A0024310615	PRO 100 100 0 Air Processing Unit.....	41	5001320-Q824A	PRO 007 001 0 Cabin Levelling Valve .....	59
A0024310715	PRO 100 100 0 Air Processing Unit.....	41	9700514230	PRO 411 026 0 Clutch servo.....	67
A0024311515	PRO 100 100 0 Air Processing Unit.....	41	<b>FAYMONVILLE</b>		
A0024313815	PRO 100 100 0 Air Processing Unit.....	41	1120	PRO 537 030 0 ABS Extension Cable.....	95
A0025422518	PRO 032 002 0 Wheel Speed Sensor .....	92	8905	PRO 537 023 0 ABS Extension Cable.....	94
A0025422618	PRO 032 011 0 Wheel Speed Sensor .....	93	8906	PRO 537 060 0 ABS Extension Cable.....	96
A0025423118	PRO 032 000 0 Wheel Speed Sensor .....	92	8907	PRO 537 080 0 ABS Extension Cable.....	96
A0025423818	PRO 032 011 0 Wheel Speed Sensor .....	93	8908	PRO 537 100 0 ABS Extension Cable.....	96
A0025426718	PRO 412 031 0 ECAS Distance sensor .....	110	8917	PRO 537 051 0 ABS Extension Cable.....	95
A0034201324	PRO 714 016 0 Brake Chamber Cam .....	16	13491	PRO 537 018 0 ABS Extension Cable.....	94
A0034305981	PRO 645 009 0 Hand Brake Valve .....	75	13769	PRO 412 001 0 ECAS Solenoid Valve .....	103
A0034315706	PRO 934 005 0 Multiple Circuit Protection Valve.....	45	14177	PRO 412 002 0 ECAS Solenoid Valve .....	103
A0035422618	PRO 412 032 0 ECAS Distance sensor .....	110	64047	PRO 648 000 0 Park Release Emergency Valve.....	79
A0044290644	PRO 643 000 0 Relay Valve.....	83	82016	PRO 537 040 0 ABS Extension Cable.....	95
A0044296344	PRO 011 003 0 Relay Valve.....	83	214004	PRO 412 030 0 ECAS Distance sensor.....	110
A0044297644	PRO 643 002 0 Relay Valve.....	83	01019	PRO 527 001 0 Trailer Release Valve .....	87
A0044299444	PRO 011 000 0 Relay Valve.....	83	0844	PRO 714 000 0 Brake Chamber Cam .....	14
A0044314105	PRO 315 263 0 Foot Brake Valve.....	73	0940	PRO 714 016 0 Brake Chamber Cam .....	16
A0054297444	PRO 643 335 0 Pressure Limiting Valve.....	50	0941	PRO 714 015 0 Brake Chamber Cam .....	15
A0064205224	PRO 714 710 0 Brake Chamber Disc.....	12	0943	PRO 714 007 0 Brake Chamber Cam .....	15
A0065427618	PRO 032 010 0 Wheel Speed Sensor .....	93	1020	PRO 527 004 0 Trailer Release Valve .....	87
A0114205818	PRO 432 001 0 Spring Brake Actuator .....	21	10549	PRO 648 004 0 Relay Emergency Valve .....	85
A0114205918	PRO 432 001 0 Spring Brake Actuator .....	21	10553	PRO 648 001 0 Relay Emergency Valve .....	85
A0134206718	PRO 492 006 0 Spring Brake Actuator .....	23	3852	PRO 006 001 0 Chassis Levelling Valve.....	57
A0134206818	PRO 492 006 0 Spring Brake Actuator .....	23	46031	PRO 648 002 0 Relay Emergency Valve .....	85
A0144200018	PRO 432 001 0 Spring Brake Actuator .....	21	5139	PRO 006 003 0 Chassis Levelling Valve.....	57
A0144200118	PRO 432 001 0 Spring Brake Actuator .....	21			
A0234204918	PRO 421 002 0 Spring Brake Actuator .....	21			
A68054200418	PRO 032 003 0 Wheel Speed Sensor .....	92			



Ref. No	ProVia number / product	Page	Ref. No	ProVia number / product	Page
7886	PRO 527 005 0 Trailer Release Valve	87	TDAS4497120180	PRO 537 018 0 ABS Extension Cable	94
84233	PRO 421 002 0 Spring Brake Actuator	21	TDAS4497120230	PRO 537 023 0 ABS Extension Cable	94
			TDAS4497120380	PRO 537 038 0 ABS Extension Cable	95
			TDAS4497120510	PRO 537 051 0 ABS Extension Cable	95
<b>Feldbinder</b>			<b>Fruehauf</b>		
854	PRO 537 051 0 ABS Extension Cable	95	1H312161609	PRO 714 000 0 Brake Chamber Cam	14
865	PRO 537 023 0 ABS Extension Cable	94	1H312779603	PRO 537 038 0 ABS Extension Cable	95
1658	PRO 714 016 0 Brake Chamber Cam	16	A3309600VAS	PRO 714 007 0 Brake Chamber Cam	15
6674	PRO 714 007 0 Brake Chamber Cam	15	A-71519M70-A11	PRO 527 001 0 Trailer Release Valve	87
6677	PRO 714 015 0 Brake Chamber Cam	15	A-FA4271-008	PRO 527 004 0 Trailer Release Valve	87
6760	PRO 714 000 0 Brake Chamber Cam	14	AFA9104001	PRO 714 016 0 Brake Chamber Cam	16
6761	PRO 714 000 0 Brake Chamber Cam	14	ASX0014018	PRO 714 016 0 Brake Chamber Cam	16
6763	PRO 714 007 0 Brake Chamber Cam	15	ASX0014019	PRO 714 015 0 Brake Chamber Cam	16
8836	PRO 537 100 0 ABS Extension Cable	96	ASX0014020	PRO 714 000 0 Brake Chamber Cam	14
8854	PRO 537 051 0 ABS Extension Cable	95	ASX0014021	PRO 714 007 0 Brake Chamber Cam	15
8860	PRO 537 060 0 ABS Extension Cable	96	CF351950/F001572	PRO 006 003 0 Chassis Levelling Valve	57
8864	PRO 537 040 0 ABS Extension Cable	95	CF352131	PRO 006 001 0 Chassis Levelling Valve	57
8865	PRO 537 023 0 ABS Extension Cable	94	CF371494	PRO 537 018 0 ABS Extension Cable	94
61392	PRO 537 080 0 ABS Extension Cable	95	F001572	PRO 006 003 0 Chassis Levelling Valve	57
63169	PRO 537 030 0 ABS Extension Cable	95	F005268	PRO 006 001 0 Chassis Levelling Valve	57
1026483	PRO 648 000 0 Park Release Emergency Valve	79	M02027203	PRO 714 007 0 Brake Chamber Cam	15
1042813	PRO 412 002 0 ECAS Solenoid Valve	103	M058296	PRO 537 018 0 ABS Extension Cable	94
1065595	PRO 648 000 0 Park Release Emergency Valve	80	M058431	PRO 537 023 0 ABS Extension Cable	94
001797	PRO 006 003 0 Chassis Levelling Valve	57	M05843101	PRO 537 023 0 ABS Extension Cable	94
006675	PRO 527 001 0 Trailer Release Valve	87	M059318	PRO 537 030 0 ABS Extension Cable	95
006712	PRO 527 004 0 Trailer Release Valve	87	M91000101	340 901 060 2 Brake Pads	31
011591	PRO 643 307 0 Pressure Limiting Valve	50	MO58296	PRO 537 018 0 ABS Extension Cable	94
011626	PRO 527 002 0 Trailer Release Valve	87	MO5843101	PRO 537 023 0 ABS Extension Cable	94
071432	PRO 006 001 0 Chassis Levelling Valve	57	1526855	PRO 601 068 0 Shock Absorber	62
083184	PRO 412 002 0 ECAS Solenoid Valve	103	152685UJB0364	PRO 601 068 0 Shock Absorber	62
1016901	PRO 032 120 0 Rotary Slide Valve	63	M001537	PRO 601 068 0 Shock Absorber	62
297449	PRO 648 002 0 Relay Emergency Valve	85	M007950	PRO 601 068 0 Shock Absorber	62
6916	PRO 527 005 0 Trailer Release Valve	87	M076480	PRO 601 068 0 Shock Absorber	62
<b>FIAT</b>			M200052	PRO 601 068 0 Shock Absorber	62
5001843220	PRO 011 007 0 Relay Valve	83	M200133	PRO 601 068 0 Shock Absorber	62
<b>Fontenax</b>			UJB0364	PRO 601 068 0 Shock Absorber	62
2100382	PRO 461 101 0 Spring Brake Actuator	21	UJB0563	PRO 601 068 0 Shock Absorber	62
2100383	PRO 461 101 0 Spring Brake Actuator	21	UJB0565	PRO 601 068 0 Shock Absorber	62
<b>Ford</b>			UJB1124C	PRO 601 068 0 Shock Absorber	62
3C465C100AA	PRO 007 001 0 Cabin Levelling Valve	59	1518588	PRO 601 071 0 Shock Absorber	62
4C462K433AA	PRO 006 003 0 Chassis Levelling Valve	57	1521533	PRO 601 071 0 Shock Absorber	62
4C463038AA	PRO 412 001 0 ECAS Solenoid Valve	103	1527867	PRO 601 071 0 Shock Absorber	62
6C462A131AA	PRO 100 100 0 Air Processing Unit	41	23514	PRO 601 071 0 Shock Absorber	62
7C462B372AA	PRO 032 010 0 Wheel Speed Sensor	93	680117	PRO 601 071 0 Shock Absorber	62
7C467K626AA	PRO 051 004 0 Clutch servo	67	BJB0180001	PRO 601 071 0 Shock Absorber	62
98CT2B372AA	PRO 032 001 0 Wheel Speed Sensor	92	M007942	PRO 601 071 0 Shock Absorber	62
XCT2K432AA	PRO 006 001 0 Chassis Levelling Valve	57	UCE12951	PRO 601 071 0 Shock Absorber	62
<b>Foton</b>			UJA0878001	PRO 601 071 0 Shock Absorber	62
1120835680050	PRO 122 020 0 Air Dryer	37	UJB0177	PRO 601 071 0 Shock Absorber	62
1419335570001	PRO 31 500 6 Foot Brake Valve	73	UJB0177001	PRO 601 071 0 Shock Absorber	62
1432116280002	PRO 051 007 0 Clutch servo	67	UJB0179	PRO 601 071 0 Shock Absorber	62
1612516205010	PRO 051 006 0 Clutch servo	67	UJB0315	PRO 601 071 0 Shock Absorber	62
1618029600001	PRO 412 001 0 ECAS Solenoid Valve	103	UJB0316	PRO 601 071 0 Shock Absorber	62
1618029600001	PRO 412 006 0 ECAS Solenoid Valve	104	UJB0562	PRO 601 071 0 Shock Absorber	62
1B24950201013	PRO 007 036 0 Cabin Levelling Valve	59	UJC002001	PRO 601 071 0 Shock Absorber	62
H4502A01056A0	PRO 007 028 0 Cabin Levelling Valve	59	UJZ7093	PRO 601 071 0 Shock Absorber	62
1612935 610102	PRO 643 101 0 Proportional Relay Valve	98	W4012762	PRO 601 071 0 Shock Absorber	62
<b>FREIGHTLINER</b>			<b>GAZ</b>		
9628S4231079000	PRO 714 007 0 Brake Chamber Cam	15	9254920000	PRO 492 005 0 Spring Brake Actuator	23

Ref. No	ProVia number / product	Page	Ref. No	ProVia number / product	Page
<b>Gigant</b>			123300001	PRO 714 007 0 Brake Chamber Cam	15
719001007	PRO 712 712 0 DDSB Disc	28	345001031	PRO 714 000 0 Brake Chamber Cam	14
19123	PRO 461 101 0 Spring Brake Actuator	21	345004021	PRO 714 000 0 Brake Chamber Cam	14
19124	PRO 461 101 0 Spring Brake Actuator	21	345004231	PRO 714 000 0 Brake Chamber Cam	14
19125	PRO 461 101 0 Spring Brake Actuator	21	345004241	PRO 714 000 0 Brake Chamber Cam	14
9291072	340 901 060 2 Brake Pads	31	345010111	PRO 714 016 0 Brake Chamber Cam	16
9291073	340 901 060 2 Brake Pads	31	345011001	PRO 714 015 0 Brake Chamber Cam	16
M91002703	340 903 220 2 Brake Pads	33	345013001	PRO 714 007 0 Brake Chamber Cam	15
M91002704	340 903 220 2 Brake Pads	33	345031003	PRO 714 015 0 Brake Chamber Cam	16
			345031004	PRO 714 015 0 Brake Chamber Cam	16
<b>Golden Dragon</b>			345037001	PRO 714 015 0 Brake Chamber Cam	16
35ACC-03512	PRO 122 020 0 Air Dryer	37	345037002	PRO 714 015 0 Brake Chamber Cam	16
			345043001	PRO 714 000 0 Brake Chamber Cam	14
			345043002	PRO 714 000 0 Brake Chamber Cam	14
<b>Goldhofer</b>			345044001	PRO 714 000 0 Brake Chamber Cam	14
151118	PRO 492 006 0 Spring Brake Actuator	23	345045001	PRO 714 000 0 Brake Chamber Cam	14
151866	PRO 643 307 0 Pressure Limiting Valve	50	345050001	PRO 714 000 0 Brake Chamber Cam	14
162653	PRO 537 018 0 ABS Extension Cable	94	345050002	PRO 714 000 0 Brake Chamber Cam	14
162654	PRO 537 038 0 ABS Extension Cable	95	345050002	PRO 714 000 0 Brake Chamber Cam	14
162655	PRO 537 051 0 ABS Extension Cable	95	345200010	PRO 714 016 0 Brake Chamber Cam	16
162657	PRO 537 023 0 ABS Extension Cable	94	345200011	PRO 714 016 0 Brake Chamber Cam	16
163540	PRO 537 100 0 ABS Extension Cable	96	345200012	PRO 714 016 0 Brake Chamber Cam	16
163541	PRO 537 060 0 ABS Extension Cable	96	345200101	PRO 714 016 0 Brake Chamber Cam	16
163625	PRO 537 030 0 ABS Extension Cable	95	345200110	PRO 714 016 0 Brake Chamber Cam	16
163639	PRO 537 080 0 ABS Extension Cable	96	345200111	PRO 714 016 0 Brake Chamber Cam	16
165646	PRO 412 002 0 ECAS Solenoid Valve	103	345200112	PRO 714 016 0 Brake Chamber Cam	16
168783	PRO 648 000 0 Park Release Emergency Valve	79	345215011	PRO 714 016 0 Brake Chamber Cam	16
168923	PRO 412 005 0 ECAS Solenoid Valve	104	345215111	PRO 714 016 0 Brake Chamber Cam	16
200255	PRO 714 016 0 Brake Chamber Cam	16	345225110	PRO 714 016 0 Brake Chamber Cam	16
200260	PRO 714 015 0 Brake Chamber Cam	16	345225112	PRO 714 016 0 Brake Chamber Cam	16
200262	PRO 714 000 0 Brake Chamber Cam	14	345300012	PRO 714 015 0 Brake Chamber Cam	16
201241	PRO 714 007 0 Brake Chamber Cam	15	345300010	PRO 714 015 0 Brake Chamber Cam	16
152092	PRO 527 004 0 Trailer Release Valve	87	345300111	PRO 714 015 0 Brake Chamber Cam	16
157537	PRO 006 003 0 Chassis Levelling Valve	57	345315010	PRO 714 015 0 Brake Chamber Cam	16
159118	PRO 032 020 0 Rotary Slide Valve	63	345315011	PRO 714 015 0 Brake Chamber Cam	16
160191	PRO 527 001 0 Trailer Release Valve	87	345315012	PRO 714 015 0 Brake Chamber Cam	16
162347	PRO 006 001 0 Chassis Levelling Valve	57	345315110	PRO 714 015 0 Brake Chamber Cam	16
163413	PRO 648 003 0 Relay Emergency Valve	85	345315111	PRO 714 015 0 Brake Chamber Cam	16
163414	PRO 648 001 0 Relay Emergency Valve	85	345315112	PRO 714 015 0 Brake Chamber Cam	16
163623	PRO 527 002 0 Trailer Release Valve	87	345325110	PRO 714 015 0 Brake Chamber Cam	16
164265	PRO 527 005 0 Trailer Release Valve	87	345325112	PRO 714 015 0 Brake Chamber Cam	16
167732	PRO 648 002 0 Relay Emergency Valve	85	345325155	PRO 714 015 0 Brake Chamber Cam	16
254559	PRO 410 003 0 Air Dryer	38	345400010	PRO 714 000 0 Brake Chamber Cam	14
			345400011	PRO 714 000 0 Brake Chamber Cam	14
			345400012	PRO 714 000 0 Brake Chamber Cam	14
<b>Great Dane</b>			345400110	PRO 714 000 0 Brake Chamber Cam	14
40500255	PRO 537 018 0 ABS Extension Cable	94	345400111	PRO 714 000 0 Brake Chamber Cam	14
			345403157	PRO 714 000 0 Brake Chamber Cam	14
<b>HALDEX</b>			345415010	PRO 714 000 0 Brake Chamber Cam	14
120330201	PRO 714 016 0 Brake Chamber Cam	16	345415011	PRO 714 000 0 Brake Chamber Cam	14
120331101	PRO 714 016 0 Brake Chamber Cam	16	345415012	PRO 714 000 0 Brake Chamber Cam	14
120330201	PRO 714 016 0 Brake Chamber Cam	16	345415111	PRO 714 000 0 Brake Chamber Cam	14
120331201	PRO 714 016 0 Brake Chamber Cam	16	345425010	PRO 714 000 0 Brake Chamber Cam	14
120340201	PRO 714 015 0 Brake Chamber Cam	16	345425110	PRO 714 000 0 Brake Chamber Cam	14
120340203	PRO 714 015 0 Brake Chamber Cam	16	345425112	PRO 714 000 0 Brake Chamber Cam	14
120341101	PRO 714 015 0 Brake Chamber Cam	16	123240s001	PRO 714 000 0 Brake Chamber Cam	14
120341201	PRO 714 015 0 Brake Chamber Cam	16	345500010	PRO 714 007 0 Brake Chamber Cam	15
120350201	PRO 714 000 0 Brake Chamber Cam	14	345500011	PRO 714 007 0 Brake Chamber Cam	15
120350203	PRO 714 000 0 Brake Chamber Cam	14	345500012	PRO 714 007 0 Brake Chamber Cam	15
120351101	PRO 714 000 0 Brake Chamber Cam	14	345500110	PRO 714 007 0 Brake Chamber Cam	15
120351201	PRO 714 000 0 Brake Chamber Cam	14	345500111	PRO 714 007 0 Brake Chamber Cam	15
120360201	PRO 714 007 0 Brake Chamber Cam	15	345525010	PRO 714 007 0 Brake Chamber Cam	15
120360203	PRO 714 007 0 Brake Chamber Cam	15	345525011	PRO 714 007 0 Brake Chamber Cam	15
120361101	PRO 714 007 0 Brake Chamber Cam	15	345525110	PRO 714 007 0 Brake Chamber Cam	15
120361201	PRO 714 007 0 Brake Chamber Cam	15			

Ref. No	ProVia number / product	Page	Ref. No	ProVia number / product	Page
345525111	PRO 714 007 0 Brake Chamber Cam	15	<b>Irisbus</b>		
345525112	PRO 714 007 0 Brake Chamber Cam	15	8137622	PRO 122 005 0 Air Dryer	37
346187001	PRO 712 713 0 DDSB Disc	28	8160475	PRO 122 005 0 Air Dryer	37
612017091	PRO 006 003 0 Chassis Levelling Valve	57	41200708	PRO 412 031 0 ECAS Distance sensor	110
612032001	PRO 006 001 0 Chassis Levelling Valve	57	41211011	PRO 412 005 0 ECAS Solenoid Valve	104
1352024004	PRO 712 713 0 DDSB Disc	28	41211012	PRO 412 002 0 ECAS Solenoid Valve	103
1363430001	PRO 712 712 0 DDSB Disc	28	41211013	PRO 412 001 0 ECAS Solenoid Valve	103
352018001	PRO 527 004 0 Trailer Release Valve	87	500310195	PRO 412 001 0 ECAS Solenoid Valve	103
352044001	PRO 527 005 0 Trailer Release Valve	87	41032230	PRO 643 101 0 Proportional Relay Valve	98
352044001	PRO 527 006 0 Trailer Release Valve	87	2033849	PRO 643 020 0 Proportional Relay Valve	98
352045000	PRO 527 005 0 Trailer Release Valve	87	5010556022	PRO 051 006 0 Clutch servo	67
352045001	PRO 527 005 0 Trailer Release Valve	87	98413419	PRO 036 001 0 Directional Control Valve	77
<b>HENDRICKSON</b>			41211131	PRO 036 001 0 Directional Control Valve	77
4231049000	PRO 714 016 0 Brake Chamber Cam	16	98413420	PRO 037 001 0 Directional Control Valve	77
4231079000	PRO 714 007 0 Brake Chamber Cam	15	41211132	PRO 037 001 0 Directional Control Valve	77
4497120180	PRO 537 018 0 ABS Extension Cable	94	2996068	340 902 003 2 Brake Pads	33
4497120230	PRO 537 023 0 ABS Extension Cable	94	42079486	PRO 122 006 0 Air Dryer	37
4497120380	PRO 537 038 0 ABS Extension Cable	95	5001020312	340 902 003 2 Brake Pads	33
4497120510	PRO 537 051 0 ABS Extension Cable	95	5006028410	340 902 003 2 Brake Pads	33
464/006/002/0	PRO 006 003 0 Chassis Levelling Valve	57	<b>Irizar</b>		
464/006/100/0	PRO 006 001 0 Chassis Levelling Valve	57	8015530	PRO 412 001 0 ECAS Solenoid Valve	103
963/001/012/0	PRO 527 001 0 Trailer Release Valve	87	8015544	PRO 412 030 0 ECAS Distance sensor	110
963/001/052/0	PRO 527 006 0 Trailer Release Valve	87	8015554	PRO 537 051 0 ABS Extension Cable	95
963/006/001/0	PRO 527 004 0 Trailer Release Valve	87	8015529	PRO 412 006 0 ECAS Solenoid Valve	104
HB100197	PRO 648 001 0 Relay Emergency Valve	85	8015516	PRO 643 101 0 Proportional Relay Valve	98
NB1702	PRO 714 000 0 Brake Chamber Cam	14	<b>Isuzu</b>		
NB1759	PRO 714 015 0 Brake Chamber Cam	16	1825637130	PRO 412 001 0 ECAS Solenoid Valve	103
<b>HINO</b>			1825639780	PRO 412 002 0 ECAS Solenoid Valve	103
446000096A	PRO 643 101 0 Proportional Relay Valve	98	<b>IVECO</b>		
S31A0E0780	PRO 051 004 0 Clutch servo	67	34140	PRO 714 015 0 Brake Chamber Cam	16
S47ABEV060	PRO 124 702 2 Compact Cartridge	44	100287	PRO 714 016 0 Brake Chamber Cam	16
S49UO-E0F60	PRO 492 002 0 Spring Brake Actuator	23	8132394	PRO 645 006 0 Hand Brake Valve	75
S49UO-E0J20	PRO 492 002 0 Spring Brake Actuator	23	8160471	PRO 122 005 0 Air Dryer	37
<b>HQ-Metal</b>			8160475	PRO 122 005 0 Air Dryer	37
SD91005	PRO 714 000 0 Brake Chamber Cam	14	41205604	PRO 643 003 0 Relay Valve	83
<b>Hüffermann</b>			41200708	PRO 412 031 0 ECAS Distance sensor	110
6BA0010004	PRO 537 100 0 ABS Extension Cable	96	41211011	PRO 412 005 0 ECAS Solenoid Valve	104
6BE00210100	PRO 648 000 0 Park Release Emergency Valve	79	41211012	PRO 412 002 0 ECAS Solenoid Valve	103
<b>Hyundai</b>			41211013	PRO 412 001 0 ECAS Solenoid Valve	103
10033431	PRO 537 018 0 ABS Extension Cable	93	98405732	PRO 645 006 0 Hand Brake Valve	75
4170077000K	PRO 051 004 0 Clutch servo	67	500310195	PRO 412 001 0 ECAS Solenoid Valve	103
558018KZZ0	PRO 412 007 0 ECAS Solenoid Valve	104	4324100350	PRO 122 005 0 Air Dryer	37
558018R900	PRO 412 005 0 ECAS Solenoid Valve	104	5010207451	PRO 643 004 0 Relay Valve	83
558028KZZ0	PRO 412 000 0 ECAS Solenoid Valve	103	5010556022	PRO 051 006 0 Clutch servo	67
558508D000	PRO 412 031 0 ECAS Distance sensor	110	5801110953	PRO 537 040 0 ABS Extension Cable	95
559507K700	PRO 412 001 0 ECAS Solenoid Valve	103	9449712023	PRO 537 023 0 ABS Extension Cable	94
594507C700	PRO 010 300 0 Pressure Limiting Valve	49	04780200	PRO 643 031 0 Pressure Limiting Valve	50
946007A050	PRO 032 003 0 Wheel Speed Sensor	92	08137622	PRO 122 005 0 Air Dryer	37
946007A150	PRO 032 001 0 Wheel Speed Sensor	92	110450	PRO 122 006 0 Air Dryer	37
946007A500	PRO 032 010 0 Wheel Speed Sensor	93	1906043	340 902 005 2 Brake Pads	33
946007A550	PRO 032 010 0 Wheel Speed Sensor	93	1906146	340 902 005 2 Brake Pads	33
B587105K200	PRO 315 008 0 Foot Brake Valve	73	1906297	340 902 005 2 Brake Pads	33
595107M000	PRO 643 101 0 Proportional Relay Valve	98	1906401	340 904 002 2 Brake Pads	33
<b>IBIPORÄ</b>			1906416	340 904 002 2 Brake Pads	33
3051000015	PRO 648 000 0 Park Release Emergency Valve	80	340 175 000 2 Brake Pads	31	
3051000114	PRO 648 000 0 Park Release Emergency Valve	79	2992336	340 901 060 2 Brake Pads	31
			2992339	340 904 002 2 Brake Pads	33
			2992348	340 901 070 2 Brake Pads	32
			2992476	340 901 070 2 Brake Pads	32
			2995637	340 901 070 2 Brake Pads	32

Ref. No	ProVia number / product	Page	Ref. No	ProVia number / product	Page
2995809	340 901 070 2 Brake Pads	32	361623	PRO 643 101 0 Proportional Relay Valve	98
2995819	340 901 070 2 Brake Pads	32	4464164	PRO 643 020 0 Proportional Relay Valve	98
2995938	340 901 070 2 Brake Pads	32	42033847	PRO 643 020 0 Proportional Relay Valve	98
2996378	340 901 070 2 Brake Pads	32	42033849	PRO 643 020 0 Proportional Relay Valve	98
2996430	340 175 000 2 Brake Pads	31	42043782	PRO 643 020 0 Proportional Relay Valve	98
2996468	340 901 060 2 Brake Pads	31	42071349	PRO 643 020 0 Proportional Relay Valve	98
2996515	340 901 070 2 Brake Pads	32	115137	PRO 643 020 0 Proportional Relay Valve	98
2996532	340 904 001 2 Brake Pads	33	3864297044	PRO 643 020 0 Proportional Relay Valve	98
3345107R1	PRO 714 015 0 Brake Chamber Cam	16	42159063	PRO 643 020 0 Proportional Relay Valve	98
3345108R1	PRO 714 000 0 Brake Chamber Cam	14	81521166036	PRO 643 020 0 Proportional Relay Valve	98
412 113 34	PRO 007 001 0 Cabin Levelling Valve	59	<b>JAC</b>		
41200560	PRO 032 004 0 Wheel Speed Sensor	93	3513100Y41J4	PRO 122 017 0 Air Processing Unit	41
41200561	PRO 032 004 0 Wheel Speed Sensor	93	59551-Y43G6	PRO 122 021 0 Air Dryer	37
41211278	340 901 070 2 Brake Pads	32	64006-Y4010XZ	PRO 007 001 0 Cabin Levelling Valve	59
41212279	340 901 070 2 Brake Pads	32	<b>John Deere</b>		
42079486	PRO 122 006 0 Air Dryer	37	AL202707A	PRO 410 003 0 Air Dryer	38
42079586	PRO 122 006 0 Air Dryer	37	AZ50953	PRO 714 016 0 Brake Chamber Cam	17
42555791	340 904 002 2 Brake Pads	33	AZ50953(I)	PRO 714 016 0 Brake Chamber Cam	17
42556101	340 904 001 2 Brake Pads	33	AZ52824	PRO 714 007 0 Brake Chamber Cam	15
42554824	PRO 032 010 0 Wheel Speed Sensor	93	AZ52824(I)	PRO 714 007 0 Brake Chamber Cam	15
42555669	340 904 000 2 Brake Pads	33	WZ2480155	PRO 714 007 0 Brake Chamber Cam	15
4460000009	PRO 032 001 0 Wheel Speed Sensor	92	<b>Kali &amp; Salz</b>		
4783981	PRO 315 008 0 Foot Brake Valve	73	M4792629	PRO 714 016 0 Brake Chamber Cam	17
500002862	PRO 032 020 0 Rotary Slide Valve	63	<b>Kalmar</b>		
500004419	PRO 410 003 0 Air Dryer	38	9236180001	PRO 006 003 0 Chassis Levelling Valve	57
500055372	340 175 000 2 Brake Pads	31	<b>Kamaz</b>		
500070461	PRO 032 000 0 Wheel Speed Sensor	92	960-3519300	PRO 492 001 0 Spring Brake Actuator	23
500070484	PRO 400 001 0 Air Dryer	38	<b>KÄSSBOHRER</b>		
500590358	PRO 461 101 0 Spring Brake Actuator	21	7176020000	PRO 537 018 0 ABS Extension Cable	94
5006002630	PRO 015 004 0 Pressure Limiting Valve	50	7176022000	PRO 537 038 0 ABS Extension Cable	95
5006010272	PRO 032 003 0 Wheel Speed Sensor	92	7176023000	PRO 537 051 0 ABS Extension Cable	95
5006028410	340 902 003 2 Brake Pads	33	7788085000	PRO 537 038 0 ABS Extension Cable	95
5010260188	PRO 492 006 0 Spring Brake Actuator	23	7788086000	PRO 537 051 0 ABS Extension Cable	95
503136113	340 902 003 2 Brake Pads	33	8283021000	PRO 648 000 0 Park Release Emergency Valve	79
503142454	340 902 003 2 Brake Pads	33	21145210032	PRO 412 002 0 ECAS Solenoid Valve	103
504013848	PRO 032 010 0 Wheel Speed Sensor	93	21150110007	PRO 537 030 0 ABS Extension Cable	95
5801103156	PRO 315 077 0 Foot Brake Valve	73	21150110009	PRO 537 100 0 ABS Extension Cable	96
5801115879	PRO 032 000 0 Wheel Speed Sensor	92	21150110010	PRO 537 051 0 ABS Extension Cable	96
7000343220	PRO 410 003 0 Air Dryer	38	21150110028	PRO 412 002 0 ECAS Solenoid Valve	103
8169587	PRO 015 072 0 Pressure Limiting Valve	50	21150110041	PRO 537 023 0 ABS Extension Cable	94
8188642	PRO 007 001 0 Cabin Levelling Valve	59	21150110052	PRO 648 000 0 Park Release Emergency Valve	79
9010099029	PRO 122 006 0 Air Dryer	37	21151103152	PRO 412 030 0 ECAS Distance sensor	110
9441032808	PRO 032 000 0 Wheel Speed Sensor	92	21151103199	PRO 648 000 0 Park Release Emergency Valve	80
980829	PRO 410 003 0 Air Dryer	38	21151105025	PRO 714 000 0 Brake Chamber Cam	14
981819	PRO 410 003 0 Air Dryer	38	82830500000	PRO 714 007 0 Brake Chamber Cam	15
M78121482	PRO 412 030 0 ECAS Distance sensor	110	1940	PRO 537 038 0 ABS Extension Cable	95
41218439	PRO 600 328 0 Shock Absorber	61	21151103133	PRO 032 120 0 Rotary Slide Valve	63
98414529	PRO 600 328 0 Shock Absorber	61	21151103150	PRO 006 003 0 Chassis Levelling Valve	57
98414535	PRO 600 328 0 Shock Absorber	61	21151103151	PRO 006 001 0 Chassis Levelling Valve	57
98432435	PRO 600 328 0 Shock Absorber	61	21151103260	PRO 527 005 0 Trailer Release Valve	87
99474655	PRO 600 328 0 Shock Absorber	61	68320504NGZ	340 902 002 2 Brake Pads	32
98413419	PRO 036 001 0 Directional Control Valve	77	82830120000	PRO 527 005 0 Trailer Release Valve	87
15170752	PRO 036 001 0 Directional Control Valve	77	82851740000	PRO 527 001 0 Trailer Release Valve	87
116517	PRO 036 001 0 Directional Control Valve	77	8285388435	340 902 002 2 Brake Pads	32
41211131	PRO 036 001 0 Directional Control Valve	77	8285388533	340 902 002 2 Brake Pads	32
500356849	PRO 036 002 0 Directional Control Valve	77	8285408463	340 902 002 2 Brake Pads	32
98413420	PRO 037 001 0 Directional Control Valve	77	8285408534	340 902 002 2 Brake Pads	32
116049	PRO 037 001 0 Directional Control Valve	77			
9841342	PRO 037 001 0 Directional Control Valve	77			
41211132	PRO 037 001 0 Directional Control Valve	77			
41032230	PRO 643 101 0 Proportional Relay Valve	98			
54296944	PRO 643 101 0 Proportional Relay Valve	98			
375215	PRO 643 101 0 Proportional Relay Valve	98			

Ref. No	ProVia number / product	Page	Ref. No	ProVia number / product	Page
8285499000	PRO 006 001 0 Chassis Levelling Valve.....	57	0203277400	PRO 714 019 0 Brake Chamber Disc.....	12
8285515573	340 901 070 2 Brake Pads .....	32	0203277500	PRO 714 019 0 Brake Chamber Disc.....	12
8285521000	340 902 002 2 Brake Pads .....	32	0203277800	PRO 714 241 0 Brake Chamber Disc.....	12
8285522000	340 902 002 2 Brake Pads .....	32	0203277900	PRO 714 241 0 Brake Chamber Disc.....	12
8285525000	340 902 002 2 Brake Pads .....	32	0481026021	PRO 011 004 0 Relay Valve.....	83
8285526000	340 902 002 2 Brake Pads .....	32	0481026026	PRO 011 007 0 Relay Valve.....	83
			0544434010	PRO 714 019 0 Brake Chamber Disc.....	12
			0544434020	PRO 714 019 0 Brake Chamber Disc.....	12
			0544436010	PRO 714 241 0 Brake Chamber Disc.....	12
			0544436020	PRO 714 241 0 Brake Chamber Disc.....	12
			1020756	PRO 714 019 0 Brake Chamber Disc.....	12
			118867	PRO 714 241 0 Brake Chamber Disc.....	12
			125 2423 000	PRO 714 000 0 Brake Chamber Cam.....	14
			14315	PRO 714 019 0 Brake Chamber Disc.....	12
			1456901	PRO 714 019 0 Brake Chamber Disc.....	12
			1517954	PRO 714 019 0 Brake Chamber Disc.....	12
			1517956	PRO 714 241 0 Brake Chamber Disc.....	12
			1524853	PRO 714 020 0 Brake Chamber Disc.....	12
			1542896	PRO 714 241 0 Brake Chamber Disc.....	12
			1664253	PRO 714 241 0 Brake Chamber Disc.....	12
			17157	PRO 714 241 0 Brake Chamber Disc.....	12
			1932639	PRO 714 019 0 Brake Chamber Disc.....	12
			1932640	PRO 714 241 0 Brake Chamber Disc.....	12
			21151205030	PRO 714 019 0 Brake Chamber Disc.....	12
			3177339	PRO 714 241 0 Brake Chamber Disc.....	12
			337900	PRO 714 019 0 Brake Chamber Disc.....	12
			337902	PRO 714 241 0 Brake Chamber Disc.....	12
			3454106760	PRO 714 019 0 Brake Chamber Disc.....	12
			3454106960	PRO 714 241 0 Brake Chamber Disc.....	12
			3454108260	PRO 714 019 0 Brake Chamber Disc.....	12
			3519015DA15	PRO 714 241 0 Brake Chamber Disc.....	12
			4454106760	PRO 714 019 0 Brake Chamber Disc.....	12
			4454108260	PRO 714 019 0 Brake Chamber Disc.....	12
			481009014000	PRO 015 004 0 Pressure Limiting Valve.....	50
			481009022000	PRO 643 001 0 Pressure Limiting Valve.....	50
			481009029	PRO 015 005 0 Pressure Limiting Valve.....	50
			481009029000	PRO 015 005 0 Pressure Limiting Valve.....	50
			481026021000	PRO 011 004 0 Relay Valve.....	83
			481026022000	PRO 011 006 0 Relay Valve.....	83
			481026307000	PRO 011 003 0 Relay Valve.....	83
			481026301000	PRO 643 000 0 Relay Valve.....	83
			500590336	PRO 714 241 0 Brake Chamber Disc.....	12
			70330019	PRO 714 241 0 Brake Chamber Disc.....	12
			7054433	PRO 714 241 0 Brake Chamber Disc.....	12
			7054446	PRO 714 019 0 Brake Chamber Disc.....	12
			81511016384	PRO 714 020 0 Brake Chamber Disc.....	12
			81511016434	PRO 714 244 0 Brake Chamber Disc.....	12
			81511016498	PRO 714 244 0 Brake Chamber Disc.....	12
			81511019384	PRO 714 020 0 Brake Chamber Disc.....	12
			A0054206824	PRO 714 030 0 Brake Chamber Disc.....	12
			A0074201224	PRO 714 019 0 Brake Chamber Disc.....	12
			A0074201424	PRO 714 241 0 Brake Chamber Disc.....	12
			A0084201524	PRO 714 030 0 Brake Chamber Disc.....	12
			AB4235061430	PRO 714 241 0 Brake Chamber Disc.....	12
			AC156A	PRO 643 031 0 Pressure Limiting Valve.....	50
			AC156B	PRO 015 005 0 Pressure Limiting Valve.....	50
			AC156B	PRO 015 072 0 Pressure Limiting Valve.....	50
			AC156C	PRO 643 037 0 Pressure Limiting Valve.....	50
			AC574AX	PRO 011 004 0 Relay Valve.....	83
			AC574AXY	PRO 011 009 0 Relay Valve.....	83
			AC574AY	PRO 011 009 0 Relay Valve.....	83
			AC574CXY	PRO 011 004 0 Relay Valve.....	83
			AC577A	PRO 011 003 0 Relay Valve.....	83

Ref. No	ProVia number / product	Page	Ref. No	ProVia number / product	Page
AE4217	PRO 527 004 0 Trailer Release Valve.....	87	BZ3437	PRO 714 015 0 Brake Chamber Cam.....	16
AE4230	PRO 527 006 0 Trailer Release Valve.....	87	BZ3460	PRO 714 015 0 Brake Chamber Cam.....	16
AE4232	PRO 527 002 0 Trailer Release Valve.....	87	BZ3501	PRO 714 000 0 Brake Chamber Cam.....	14
AE4247	PRO 527 005 0 Trailer Release Valve.....	87	BZ3508	PRO 714 000 0 Brake Chamber Cam.....	14
AE4609	PRO 122 001 0 Quadruple Circuit Protection Valve.....	47	BZ3509	PRO 714 000 0 Brake Chamber Cam.....	14
BS3300	PRO 714 330 0 Brake Chamber Disc.....	12	BZ3510	PRO 714 000 0 Brake Chamber Cam.....	14
BS3401	PRO 714 030 0 Brake Chamber Disc.....	12	BZ3520	PRO 714 000 0 Brake Chamber Cam.....	14
BS3404	PRO 714 019 0 Brake Chamber Disc.....	12	BZ3521	PRO 714 000 0 Brake Chamber Cam.....	14
BS3417	PRO 714 020 0 Brake Chamber Disc.....	12	BZ3523	PRO 714 000 0 Brake Chamber Cam.....	14
BS3435	PRO 714 030 0 Brake Chamber Disc.....	12	BZ3533	PRO 714 000 0 Brake Chamber Cam.....	14
BS3514	PRO 714 242 0 Brake Chamber Disc.....	12	BZ3534	PRO 714 000 0 Brake Chamber Cam.....	14
BS3526	PRO 714 245 0 Brake Chamber Disc.....	12	BZ3535	PRO 714 000 0 Brake Chamber Cam.....	14
BS3536	PRO 714 244 0 Brake Chamber Disc.....	12	BZ3536	PRO 714 000 0 Brake Chamber Cam.....	14
BS7400	PRO 712 713 0 DDSB Disc.....	28	BZ3537	PRO 714 000 0 Brake Chamber Cam.....	14
BS7401	PRO 712 713 0 DDSB Disc.....	28	BZ3600	PRO 714 007 0 Brake Chamber Cam.....	15
BS7402	PRO 712 713 0 DDSB Disc.....	28	BZ3611	PRO 714 007 0 Brake Chamber Cam.....	15
BS7403	PRO 712 713 0 DDSB Disc.....	28	BZ3627	PRO 714 007 0 Brake Chamber Cam.....	15
BX3402	PRO 714 015 0 Brake Chamber Cam.....	16	BZ3636	PRO 714 007 0 Brake Chamber Cam.....	15
BX3416	PRO 714 015 0 Brake Chamber Cam.....	16	DB1151	PRO 015 004 0 Pressure Limiting Valve.....	50
BX3417	PRO 714 015 0 Brake Chamber Cam.....	16	DB1155	PRO 015 005 0 Pressure Limiting Valve.....	50
BX3419	PRO 714 015 0 Brake Chamber Cam.....	16	DPM90DA	PRO 645 005 0 Hand Brake Valve.....	75
BX3507	PRO 714 000 0 Brake Chamber Cam.....	14	DPM90EY	PRO 645 006 0 Hand Brake Valve.....	75
BX3534	PRO 714 000 0 Brake Chamber Cam.....	14	I54213	PRO 714 016 0 Brake Chamber Cam.....	17
BX3535	PRO 714 000 0 Brake Chamber Cam.....	14	I54213AT	PRO 714 016 0 Brake Chamber Cam.....	17
BX3538	PRO 714 000 0 Brake Chamber Cam.....	14	I61236	PRO 010 302 0 Pressure Limiting Valve.....	49
BX3604	PRO 714 007 0 Brake Chamber Cam.....	15	I68252	PRO 714 016 0 Brake Chamber Cam.....	17
BX3605	PRO 714 007 0 Brake Chamber Cam.....	15	I78008	PRO 714 016 0 Brake Chamber Cam.....	17
BX3607	PRO 714 007 0 Brake Chamber Cam.....	15	I78491	PRO 714 016 0 Brake Chamber Cam.....	17
BY3301	PRO 714 016 0 Brake Chamber Cam.....	17	I78872	PRO 714 016 0 Brake Chamber Cam.....	17
BZ3300	PRO 714 016 0 Brake Chamber Cam.....	17	I78873	PRO 714 016 0 Brake Chamber Cam.....	17
BZ3301	PRO 714 016 0 Brake Chamber Cam.....	17	I83658	PRO 714 016 0 Brake Chamber Cam.....	17
BZ3302	PRO 714 016 0 Brake Chamber Cam.....	17	I89000	PRO 714 016 0 Brake Chamber Cam.....	17
BZ3303	PRO 714 016 0 Brake Chamber Cam.....	17	I98289	PRO 006 001 0 Chassis Levelling Valve.....	57
BZ3304	PRO 714 016 0 Brake Chamber Cam.....	17	I114535	PRO 714 330 0 Brake Chamber Disc.....	12
BZ3306	PRO 714 016 0 Brake Chamber Cam.....	17	I119425	PRO 006 003 0 Chassis Levelling Valve.....	57
BZ3307	PRO 714 016 0 Brake Chamber Cam.....	17	I130448	PRO 410 003 0 Air Dryer.....	38
BZ3308	PRO 714 016 0 Brake Chamber Cam.....	17	I131098	PRO 714 019 0 Brake Chamber Disc.....	12
BZ3309	PRO 714 016 0 Brake Chamber Cam.....	17	I132723	PRO 714 245 0 Brake Chamber Disc.....	12
BZ3310	PRO 714 016 0 Brake Chamber Cam.....	17	I133198	PRO 714 016 0 Brake Chamber Cam.....	17
BZ3320	PRO 714 016 0 Brake Chamber Cam.....	17	I133198A	PRO 714 016 0 Brake Chamber Cam.....	17
BZ3326	PRO 714 016 0 Brake Chamber Cam.....	17	I133457	PRO 714 016 0 Brake Chamber Cam.....	17
BZ3332	PRO 714 016 0 Brake Chamber Cam.....	17	I135530	PRO 100 100 0 Air Processing Unit.....	41
BZ3337	PRO 714 016 0 Brake Chamber Cam.....	17	I135530170	PRO 100 100 0 Air Processing Unit.....	41
BZ3338	PRO 714 016 0 Brake Chamber Cam.....	17	I135531	PRO 100 100 0 Air Processing Unit.....	41
BZ3339	PRO 714 016 0 Brake Chamber Cam.....	17	I136128	PRO 527 006 0 Trailer Release Valve.....	87
BZ3340	PRO 714 016 0 Brake Chamber Cam.....	17	I136131	PRO 527 005 0 Trailer Release Valve.....	87
BZ3341	PRO 714 016 0 Brake Chamber Cam.....	17	I136133I	PRO 527 002 0 Trailer Release Valve.....	87
BZ3353	PRO 714 016 0 Brake Chamber Cam.....	17	I136134	PRO 527 001 0 Trailer Release Valve.....	87
BZ3365	PRO 714 016 0 Brake Chamber Cam.....	17	I136160	PRO 527 004 0 Trailer Release Valve.....	87
BZ3370	PRO 714 016 0 Brake Chamber Cam.....	17	I136160AT	PRO 527 004 0 Trailer Release Valve.....	87
BZ3374	PRO 714 016 0 Brake Chamber Cam.....	17	I137133	PRO 714 244 0 Brake Chamber Disc.....	12
BZ3400	PRO 714 015 0 Brake Chamber Cam.....	16	I137276	PRO 432 001 0 Spring Brake Actuator.....	21
BZ3404	PRO 714 015 0 Brake Chamber Cam.....	16	I137680	PRO 934 005 0 Multiple Circuit Protection Valve.....	45
BZ3421	PRO 714 015 0 Brake Chamber Cam.....	16	I137680004	PRO 934 005 0 Multiple Circuit Protection Valve.....	45
BZ3424	PRO 714 015 0 Brake Chamber Cam.....	16	I137680N50	PRO 934 005 0 Multiple Circuit Protection Valve.....	45
BZ3425	PRO 714 015 0 Brake Chamber Cam.....	16	I138308FN00	PRO 400 001 0 Air Dryer.....	38
BZ3427	PRO 714 015 0 Brake Chamber Cam.....	16	I138310F	PRO 100 100 0 Air Processing Unit.....	41
BZ3428	PRO 714 015 0 Brake Chamber Cam.....	16	I138310F170	PRO 100 100 0 Air Processing Unit.....	41
BZ3429	PRO 714 015 0 Brake Chamber Cam.....	16	I138310FN00	PRO 100 100 0 Air Processing Unit.....	41
BZ3433	PRO 714 015 0 Brake Chamber Cam.....	16	I138311F	PRO 100 100 0 Air Processing Unit.....	41
BZ3434	PRO 714 015 0 Brake Chamber Cam.....	16	I138311F170	PRO 100 100 0 Air Processing Unit.....	41
BZ3435	PRO 714 015 0 Brake Chamber Cam.....	16	I138414FN00	PRO 714 030 0 Brake Chamber Disc.....	12
BZ3436	PRO 714 015 0 Brake Chamber Cam.....	16	I141300F	PRO 124 000 2 Compact Cartridge.....	44

Ref. No	ProVia number / product	Page	Ref. No	ProVia number / product	Page
K002624	PRO 714 242 0 Brake Chamber Disc	12	338023/0	PRO 032 120 0 Rotary Slide Valve	63
K002624N00	PRO 714 242 0 Brake Chamber Disc	12	6502260	PRO 006 004 0 Chassis Levelling Valve	57
K003996N00	PRO 714 242 0 Brake Chamber Disc	12	6503143/0	PRO 412 030 0 ECAS Distance sensor	110
K004171N00	PRO 714 030 0 Brake Chamber Disc	12	6503484	PRO 032 220 0 Rotary Slide Valve	63
K004486N00	PRO 714 030 0 Brake Chamber Disc	12	6500652	PRO 601 066 0 Shock Absorber	61
K015589N00	PRO 714 244 0 Brake Chamber Disc	12			
K015591N00	PRO 714 245 0 Brake Chamber Disc	12	<b>Kongsberg</b>		
K017710	PRO 410 001 0 Air Dryer	38	1000178631	PRO 411 031 0 Clutch servo	67
K023357	PRO 122 008 0 Air Dryer	37	629683AM	PRO 411 300 0 Clutch servo	67
K024634N00	PRO 400 001 0 Air Dryer	38			
LA6222	PRO 410 004 0 Air Dryer	38	<b>KRONE</b>		
LA8209	PRO 122 007 0 Air Dryer	37	945152	PRO 714 007 0 Brake Chamber Cam	15
LA8211	PRO 410 004 0 Air Dryer	38	945153	PRO 714 000 0 Brake Chamber Cam	14
LA8212	PRO 410 004 0 Air Dryer	38	945154	PRO 714 015 0 Brake Chamber Cam	16
LA8234	PRO 410 003 0 Air Dryer	38	945157	PRO 410 016 0 Brake Chamber Cam	17
LA8254	PRO 410 004 0 Air Dryer	38	5811089	PRO 537 051 0 ABS Extension Cable	95
LA8542	PRO 410 001 0 Air Dryer	38	5811094	PRO 537 030 0 ABS Extension Cable	95
LA9034	PRO 400 001 0 Air Dryer	38	5811098	PRO 537 100 0 ABS Extension Cable	96
N2504016063	PRO 714 019 0 Brake Chamber Disc	12	5811313	PRO 537 038 0 ABS Extension Cable	95
RE1110	PRO 011 004 0 Relay Valve	83	5813398	PRO 412 002 0 ECAS Solenoid Valve	103
SEB01060	PRO 714 016 0 Brake Chamber Cam	17	5813774	PRO 412 005 0 ECAS Solenoid Valve	104
SEB01360	PRO 714 016 0 Brake Chamber Cam	17	5817911	PRO 648 000 0 Park Release Emergency Valve	80
SV1307	PRO 006 003 0 Chassis Levelling Valve	57	5818310	PRO 537 023 0 ABS Extension Cable	94
SV1395	PRO 006 003 0 Chassis Levelling Valve	57	9451570	PRO 714 016 0 Brake Chamber Cam	17
SV1410	PRO 006 001 0 Chassis Levelling Valve	57	9454010	PRO 643 308 0 Pressure Limiting Valve	50
WA4235050000	PRO 714 019 0 Brake Chamber Disc	12	50945152	PRO 714 007 0 Brake Chamber Cam	15
WA4235060010	PRO 714 241 0 Brake Chamber Disc	12	50945153	PRO 714 000 0 Brake Chamber Cam	14
			50945154	PRO 714 015 0 Brake Chamber Cam	16
			50945157	PRO 714 016 0 Brake Chamber Cam	17
<b>KODAIRA INDUSTRIAL</b>			58110890	PRO 537 051 0 ABS Extension Cable	95
VS70000133	PRO 537 030 0 ABS Extension Cable	95	58110940	PRO 537 030 0 ABS Extension Cable	95
VS70000149	PRO 648 000 0 Park Release Emergency Valve	79	58110980	PRO 537 100 0 ABS Extension Cable	96
			58113130	PRO 537 038 0 ABS Extension Cable	95
<b>KÖGEL</b>			58179110	PRO 648 000 0 Park Release Emergency Valve	79
77348	PRO 714 000 0 Brake Chamber Cam	14	58179111	PRO 648 000 0 Park Release Emergency Valve	80
79302	PRO 714 015 0 Brake Chamber Cam	16	58183100	PRO 537 023 0 ABS Extension Cable	94
79303	PRO 714 000 0 Brake Chamber Cam	14	500945157	PRO 714 016 0 Brake Chamber Cam	17
79537	PRO 714 016 0 Brake Chamber Cam	17	505811094	PRO 537 030 0 ABS Extension Cable	95
79545	PRO 714 007 0 Brake Chamber Cam	15	505811098	PRO 537 100 0 ABS Extension Cable	96
175202	PRO 714 015 0 Brake Chamber Cam	16	505812505	PRO 643 307 0 Pressure Limiting Valve	50
175203	PRO 714 000 0 Brake Chamber Cam	14	505817911	PRO 648 000 0 Park Release Emergency Valve	80
175204	PRO 714 007 0 Brake Chamber Cam	15	505818310	PRO 537 023 0 ABS Extension Cable	94
320136	PRO 492 006 0 Spring Brake Actuator	23	505820513	PRO 412 001 0 ECAS Solenoid Valve	103
328454	PRO 537 060 0 ABS Extension Cable	96	505821128	PRO 412 005 0 ECAS Solenoid Valve	104
330417	PRO 537 040 0 ABS Extension Cable	95	515003584	PRO 648 000 0 Park Release Emergency Valve	80
330419	PRO 537 051 0 ABS Extension Cable	95	515005712	PRO 412 030 0 ECAS Distance sensor	110
332398	PRO 537 080 0 ABS Extension Cable	96	515008380	PRO 648 000 0 Park Release Emergency Valve	80
339077	PRO 412 002 0 ECAS Solenoid Valve	103	550017680	PRO 712 712 0 DDSB Disc	28
339637	PRO 537 100 0 ABS Extension Cable	96	500945021	PRO 527 004 0 Trailer Release Valve	87
341980	PRO 537 018 0 ABS Extension Cable	94	500945035/1	PRO 006 003 0 Chassis Levelling Valve	57
341981	PRO 537 023 0 ABS Extension Cable	94	500945047	PRO 032 020 0 Rotary Slide Valve	63
341982	PRO 537 030 0 ABS Extension Cable	95	500945418	PRO 527 001 0 Trailer Release Valve	87
361687	PRO 648 000 0 Park Release Emergency Valve	79	505808613	PRO 006 001 0 Chassis Levelling Valve	57
2341980	PRO 537 018 0 ABS Extension Cable	94	505812423	PRO 527 005 0 Trailer Release Valve	87
3284540	PRO 537 060 0 ABS Extension Cable	96	505813933	PRO 032 120 0 Rotary Slide Valve	63
6502259	PRO 648 000 0 Park Release Emergency Valve	79	505820672/0	PRO 412 002 0 ECAS Solenoid Valve	103
6609441	PRO 712 712 0 DDSB Disc	28	505820819	PRO 032 009 0 Wheel Speed Sensor	93
6609442	PRO 712 712 0 DDSB Disc	28	515003585	PRO 032 220 0 Rotary Slide Valve	63
22361687	PRO 648 000 0 Park Release Emergency Valve	79	58111590	PRO 648 001 0 Relay Emergency Valve	85
185055	PRO 527 002 0 Trailer Release Valve	87	5812423/0	PRO 527 005 0 Trailer Release Valve	87
312470	PRO 006 003 0 Chassis Levelling Valve	57	5813774/1	PRO 412 007 0 ECAS Solenoid Valve	104
318955	PRO 006 001 0 Chassis Levelling Valve	57	5816897/0	PRO 648 002 0 Relay Emergency Valve	85
332419	PRO 007 001 0 Cabin Levelling Valve	59			
336490	PRO 527 005 0 Trailer Release Valve	87			

Ref. No	ProVia number / product	Page	Ref. No	ProVia number / product	Page
			<b>Langendorf</b>		
1109373	PRO 714 016 0 Brake Chamber Cam	17	5010086	PRO 537 051 0 ABS Extension Cable	96
1109374	PRO 714 015 0 Brake Chamber Cam	16	10003357	PRO 714 016 0 Brake Chamber Cam	17
1109376	PRO 714 000 0 Brake Chamber Cam	14	10010261	PRO 537 023 0 ABS Extension Cable	94
1109377	PRO 714 007 0 Brake Chamber Cam	15	10010262	PRO 537 038 0 ABS Extension Cable	95
1110875	PRO 537 018 0 ABS Extension Cable	94	10167537	PRO 648 000 0 Park Release Emergency Valve	79
1110876	PRO 537 023 0 ABS Extension Cable	94	10167586	PRO 714 000 0 Brake Chamber Cam	14
1110877	PRO 537 030 0 ABS Extension Cable	95	10167900	PRO 537 051 0 ABS Extension Cable	96
1110879	PRO 537 038 0 ABS Extension Cable	95	104000106	PRO 537 030 0 ABS Extension Cable	95
1110880	PRO 537 040 0 ABS Extension Cable	95	502663508	PRO 537 080 0 ABS Extension Cable	96
1110881	PRO 537 051 0 ABS Extension Cable	96	502663608	PRO 537 060 0 ABS Extension Cable	96
1110882	PRO 537 060 0 ABS Extension Cable	96	502663708	PRO 537 051 0 ABS Extension Cable	96
1110884	PRO 537 080 0 ABS Extension Cable	96	502664408	PRO 537 030 0 ABS Extension Cable	95
1110886	PRO 537 100 0 ABS Extension Cable	96	502815701	PRO 537 030 0 ABS Extension Cable	95
1111648	PRO 412 001 0 ECAS Solenoid Valve	103	502918201	PRO 006 003 0 Chassis Levelling Valve	57
1111649	PRO 412 002 0 ECAS Solenoid Valve	103	502918601	PRO 714 015 0 Brake Chamber Cam	16
1240051	PRO 648 000 0 Park Release Emergency Valve	79	502920501	PRO 714 007 0 Brake Chamber Cam	15
1273177	PRO 412 030 0 ECAS Distance sensor	110	502962408	PRO 714 016 0 Brake Chamber Cam	17
1111172	PRO 006 003 0 Chassis Levelling Valve	57	502966208	PRO 714 007 0 Brake Chamber Cam	15
1111173	PRO 006 001 0 Chassis Levelling Valve	57	503200001	PRO 006 001 0 Chassis Levelling Valve	57
1133253	PRO 527 001 0 Trailer Release Valve	87	10102276	PRO 527 005 0 Trailer Release Valve	87
1133254	PRO 527 005 0 Trailer Release Valve	87	10218885	PRO 461 101 0 Spring Brake Actuator	21
1133255	PRO 527 004 0 Trailer Release Valve	87	11080017	PRO 461 101 0 Spring Brake Actuator	21
			502814801	PRO 648 003 0 Relay Emergency Valve	85
			571538008	PRO 421 002 0 Spring Brake Actuator	21
			<b>LIESS</b>		
			3801011644	PRO 648 000 0 Park Release Emergency Valve	79
			<b>Linshalm</b>		
			68587	PRO 648 000 0 Park Release Emergency Valve	79
			<b>LOHR</b>		
			4231079000	PRO 714 007 0 Brake Chamber Cam	15
			4497120300	PRO 537 030 0 ABS Extension Cable	95
			4497120510	PRO 537 051 0 ABS Extension Cable	95
			9730060010	PRO 643 000 0 Relay Valve	83
			A05010104	PRO 714 015 0 Brake Chamber Cam	16
			A05010131	PRO 714 000 0 Brake Chamber Cam	14
			A05020209	PRO 527 001 0 Trailer Release Valve	87
			A05020211	PRO 527 004 0 Trailer Release Valve	87
			A05020507	PRO 006 003 0 Chassis Levelling Valve	57
			A05021208	PRO 648 002 0 Relay Emergency Valve	85
			A05021210	PRO 527 005 0 Trailer Release Valve	87
			A05021220	PRO 648 000 0 Park Release Emergency Valve	79
			A05021228A	PRO 006 004 0 Chassis Levelling Valve	57
			A05021256	PRO 006 001 0 Chassis Levelling Valve	57
			A05101304	PRO 537 038 0 ABS Extension Cable	95
			A05101315	PRO 537 100 0 ABS Extension Cable	96
			A05101394	PRO 537 018 0 ABS Extension Cable	94
			A05101487	PRO 412 030 0 ECAS Distance sensor	110
			F00257376	PRO 412 001 0 ECAS Solenoid Valve	103
			F00295081	PRO 412 002 0 ECAS Solenoid Valve	103
			F10003356	PRO 643 002 0 Relay Valve	83
			6030510	PRO 601 078 0 Shock Absorber	62
			A06030510C	PRO 601 078 0 Shock Absorber	62
			O6030510	PRO 601 078 0 Shock Absorber	62
			<b>MACK</b>		
			7016	PRO 714 016 0 Brake Chamber Cam	17
			259710029000	PRO 648 000 0 Park Release Emergency Valve	79
			259710029000	PRO 648 000 0 Park Release Emergency Valve	79
			6300-4497120180	PRO 537 018 0 ABS Extension Cable	94
			<b>Lecitrailer</b>		
4110441	PRO 714 007 0 Brake Chamber Cam	15			
4110841	PRO 643 500 0 Pressure Limiting Valve	50			
4112037	PRO 714 000 0 Brake Chamber Cam	14			
4501002	PRO 412 030 0 ECAS Distance sensor	110			
4110201	PRO 006 003 0 Chassis Levelling Valve	57			
4110241	PRO 527 004 0 Trailer Release Valve	87			
4110261	PRO 006 001 0 Chassis Levelling Valve	57			
4110691	PRO 648 001 0 Relay Emergency Valve	85			
4110861	PRO 032 120 0 Rotary Slide Valve	63			
4112029	PRO 461 101 0 Spring Brake Actuator	21			
			<b>Leyland DAF</b>		
834481	PRO 714 016 0 Brake Chamber Cam	17			
834482	PRO 714 015 0 Brake Chamber Cam	16			
834483	PRO 714 000 0 Brake Chamber Cam	14			
834484	PRO 714 007 0 Brake Chamber Cam	15			
1302682	PRO 412 001 0 ECAS Solenoid Valve	103			
1304587	PRO 412 002 0 ECAS Solenoid Valve	103			
1343254	PRO 412 001 0 ECAS Solenoid Valve	103			
1365935	PRO 412 030 0 ECAS Distance sensor	110			
1703663	PRO 011 008 0 Relay Valve	83			
ABRA090	PRO 412 002 0 ECAS Solenoid Valve	103			
ABRA180	PRO 412 001 0 ECAS Solenoid Valve	103			
ABRA506	PRO 412 030 0 ECAS Distance sensor	110			
ABRB810	PRO 412 002 0 ECAS Solenoid Valve	103			
ABRB811	PRO 412 001 0 ECAS Solenoid Valve	103			
BBU5930	PRO 714 016 0 Brake Chamber Cam	17			
BBU5931	PRO 714 015 0 Brake Chamber Cam	16			
BBU5932	PRO 714 000 0 Brake Chamber Cam	14			
BBU5933	PRO 714 007 0 Brake Chamber Cam	15			
EXABRB613	PRO 006 001 0 Chassis Levelling Valve	57			
PR4982	PRO 714 016 0 Brake Chamber Cam	17			
1315686	PRO 643 101 0 Proportional Relay Valve	98			
1448019	PRO 643 102 0 Proportional Relay Valve	98			
			<b>LIBRELATO</b>		
9519733	PRO 648 000 0 Park Release Emergency Valve	80			

Ref. No	ProVia number / product	Page	Ref. No	ProVia number / product	Page
6300-4497120380	PRO 537 038 0 ABS Extension Cable	95	81511016266	PRO 714 016 0 Brake Chamber Cam	17
6300-4497120510	PRO 537 051 0 ABS Extension Cable	96	81511016425	PRO 714 245 0 Brake Chamber Disc	12
6300-9710029000	PRO 648 000 0 Park Release Emergency Valve	79	81511016491	PRO 714 245 0 Brake Chamber Disc	12
8235-S4497120180	PRO 537 018 0 ABS Extension Cable	94	81511019076	PRO 714 015 0 Brake Chamber Cam	16
8235-S4497120380	PRO 537 038 0 ABS Extension Cable	95	81511019105	PRO 714 000 0 Brake Chamber Cam	14
8235-S4497120510	PRO 537 051 0 ABS Extension Cable	96	81511019249	PRO 714 016 0 Brake Chamber Cam	17
<b>Maf</b>					
5661808	PRO 006 003 0 Chassis Levelling Valve	57	81521016150	PRO 643 001 0 Pressure Limiting Valve	50
5661833	PRO 006 001 0 Chassis Levelling Valve	57	81521016285	PRO 643 325 0 Pressure Limiting Valve	50
5680010	PRO 714 000 0 Brake Chamber Cam	14	81521016294	PRO 643 328 0 Pressure Limiting Valve	50
5680047	PRO 714 007 0 Brake Chamber Cam	15	81521026098	PRO 122 007 0 Air Dryer	37
<b>MAGNETI MARELLI</b>					
EF166AK	PRO 714 016 0 Brake Chamber Cam	17	81521026100	PRO 122 007 0 Air Dryer	37
EF206AK	PRO 714 015 0 Brake Chamber Cam	16	81521166067	PRO 643 000 0 Relay Valve	83
EF240A	PRO 714 000 0 Brake Chamber Cam	14	81521166068	PRO 643 000 0 Relay Valve	83
EF240B	PRO 714 000 0 Brake Chamber Cam	14	81521166069	PRO 643 000 0 Relay Valve	83
EF240E	PRO 714 000 0 Brake Chamber Cam	14	81521516099	PRO 122 001 0 Quadruple Circuit Protection Valve	47
EF246AK	PRO 714 000 0 Brake Chamber Cam	14	81521516105	PRO 122 001 0 Quadruple Circuit Protection Valve	47
EF306AK	PRO 714 007 0 Brake Chamber Cam	15	81521516106	PRO 122 001 0 Quadruple Circuit Protection Valve	47
<b>MAN</b>					
81259026144	PRO 412 005 0 ECAS Solenoid Valve	104	81523156156	PRO 645 003 0 Hand Brake Valve	75
81259026145	PRO 412 002 0 ECAS Solenoid Valve	103	81523156160	PRO 645 003 0 Hand Brake Valve	75
81259026146	PRO 412 001 0 ECAS Solenoid Valve	103	81523156162	PRO 645 003 0 Hand Brake Valve	75
81259026230	PRO 412 007 0 ECAS Solenoid Valve	104	81523156171	PRO 645 003 0 Hand Brake Valve	75
81259026237	PRO 412 003 0 ECAS Solenoid Valve	104	81523156181	PRO 645 003 0 Hand Brake Valve	75
81259026238	PRO 412 002 0 ECAS Solenoid Valve	104	82259026237	PRO 412 003 0 ECAS Solenoid Valve	104
81259026239	PRO 412 001 0 ECAS Solenoid Valve	103	84521016040	PRO 643 307 0 Pressure Limiting Valve	50
81259029144	PRO 412 005 0 ECAS Solenoid Valve	104	11017334	PRO 011 007 0 Relay Valve	83
81259029145	PRO 412 002 0 ECAS Solenoid Valve	104	1260667	PRO 010 300 0 Pressure Limiting Valve	49
81259370040	PRO 412 031 0 ECAS Distance sensor	110	2T0607373F	PRO 410 002 0 Air Dryer	38
81271206117	PRO 032 003 0 Wheel Speed Sensor	92	2TA607349	PRO 410 003 0 Air Dryer	38
81307256084	PRO 051 002 0 Clutch servo	67	2V5607373C	PRO 410 001 0 Air Dryer	38
81307256104	PRO 051 003 0 Clutch servo	67	2Z0601361F	PRO 412 006 0 ECAS Solenoid Valve	104
81307256107	PRO 051 002 0 Clutch servo	67	2Z0607361G	PRO 412 001 0 ECAS Solenoid Valve	103
81307256115	PRO 411 011 0 Clutch servo	67	4134534	PRO 007 001 0 Cabin Levelling Valve	59
81307256116	PRO 051 001 0 Clutch servo	67	64521516001	PRO 122 001 0 Quadruple Circuit Protection Valve	47
81307259084	PRO 051 002 0 Clutch servo	67	8150410-6146	PRO 492 006 0 Spring Brake Actuator	23
81511016076	PRO 714 015 0 Brake Chamber Cam	16	8150410-6674	PRO 492 006 0 Spring Brake Actuator	23
81511016077	PRO 714 015 0 Brake Chamber Cam	16	81436066008	PRO 011 004 0 Relay Valve	83
81511016078	PRO 714 015 0 Brake Chamber Cam	16	81436106129	PRO 007 001 0 Cabin Levelling Valve	59
81511016079	PRO 714 015 0 Brake Chamber Cam	16	81436196006	PRO 032 020 0 Rotary Slide Valve	63
81511016080	PRO 714 000 0 Brake Chamber Cam	14	81504106607	PRO 420 001 0 Spring Brake Actuator	21
81511016081	PRO 714 000 0 Brake Chamber Cam	14	81504106608	PRO 421 002 0 Spring Brake Actuator	21
81511016082	PRO 714 000 0 Brake Chamber Cam	14	81504106609	PRO 421 002 0 Spring Brake Actuator	21
81511016083	PRO 714 000 0 Brake Chamber Cam	14	81504106610	PRO 421 002 0 Spring Brake Actuator	21
81511016105	PRO 714 000 0 Brake Chamber Cam	14	81504106703	PRO 420 001 0 Spring Brake Actuator	21
81511016111	PRO 714 000 0 Brake Chamber Cam	14	81504106704	PRO 420 001 0 Spring Brake Actuator	21
81511016115	PRO 714 000 0 Brake Chamber Cam	14	81508205006	PRO 420 001 0 Spring Brake Actuator	21
81511016172	PRO 714 016 0 Brake Chamber Cam	17	81508205006	340 902 002 2 Brake Pads	32
81511016173	PRO 714 016 0 Brake Chamber Cam	17	81508205017	340 901 060 2 Brake Pads	31
81511016174	PRO 714 016 0 Brake Chamber Cam	17	81508205020	340 902 002 2 Brake Pads	32
81511016175	PRO 714 016 0 Brake Chamber Cam	17	81508205040	340 902 002 2 Brake Pads	32
81511016198	PRO 714 016 0 Brake Chamber Cam	17	81508205047	340 902 002 2 Brake Pads	32
81511016199	PRO 714 015 0 Brake Chamber Cam	16	81508205060	340 902 002 2 Brake Pads	32
81511016221	PRO 714 016 0 Brake Chamber Cam	17	81508205064	340 902 002 2 Brake Pads	32
81511016222	PRO 714 016 0 Brake Chamber Cam	17	81508205066	340 902 002 2 Brake Pads	32
81511016223	PRO 714 016 0 Brake Chamber Cam	17	81508205068	340 902 002 2 Brake Pads	32
81511016225	PRO 714 016 0 Brake Chamber Cam	17	81508205072	340 902 003 2 Brake Pads	33
81511016249	PRO 714 016 0 Brake Chamber Cam	17	81508205078	340 902 002 2 Brake Pads	32
81511016260	PRO 714 016 0 Brake Chamber Cam	17	81508205080	340 902 003 2 Brake Pads	33
			81508205085	340 901 050 2 Brake Pads	31
			81508205087	340 902 002 2 Brake Pads	32
			81508205091	340 902 002 2 Brake Pads	32
			81508205094	340 901 060 2 Brake Pads	31

Ref. No	ProVia number / product	Page	Ref. No	ProVia number / product	Page
81508205098	340 901 060 2 Brake Pads	31	N2255200060	PRO 032 009 0 Wheel Speed Sensor	93
81508206000	340 902 002 2 Brake Pads	32	81271206157	PRO 032 050 0 Wheel Speed Sensor	93
81508206002	340 902 002 2 Brake Pads	32	81271206149	PRO 032 050 0 Wheel Speed Sensor	93
81508206004	340 902 002 2 Brake Pads	32	81271206156	PRO 032 051 0 Wheel Speed Sensor	93
81508206006	340 175 000 2 Brake Pads	31	81271206060	PRO 032 052 0 Wheel Speed Sensor	93
81508206008	340 901 060 2 Brake Pads	31	81271206147	PRO 032 052 0 Wheel Speed Sensor	93
81508206014	340 902 002 2 Brake Pads	32	81271206061	PRO 032 053 0 Wheel Speed Sensor	93
81508206016	340 902 002 2 Brake Pads	32	81271206146	PRO 032 053 0 Wheel Speed Sensor	93
81508206020	340 175 000 2 Brake Pads	31	N2255200064	PRO 537 018 0 ABS Extension Cable	94
81508206022	340 901 060 2 Brake Pads	31	N2255200065	PRO 537 038 0 ABS Extension Cable	95
81508206025	340 902 002 2 Brake Pads	32	N2259026005	PRO 412 000 0 ECAS Solenoid Valve	104
81508206030	340 901 070 2 Brake Pads	32	N2259026006	PRO 412 001 0 ECAS Solenoid Valve	103
81508206032	340 901 070 2 Brake Pads	32	N2307160011	PRO 051 006 0 Clutch servo	67
81508206033	340 901 070 2 Brake Pads	32	N2509990136	PRO 007 010 0 Cabin Levelling Valve	59
81508206034	340 902 002 2 Brake Pads	32	N2521160024	PRO 648 001 0 Relay Emergency Valve	85
81508206036	340 902 002 2 Brake Pads	32	N2521160026	PRO 648 002 0 Relay Emergency Valve	85
81508206041	340 902 003 2 Brake Pads	33	N2955010109	PRO 537 030 0 ABS Extension Cable	95
81508206042	340 175 000 2 Brake Pads	31	ZG005610007	PRO 032 000 0 Wheel Speed Sensor	92
81508206043	340 901 050 2 Brake Pads	31	ZG046430002	PRO 934 000 0 Multiple Circuit Protection Valve	45
81508206044	340 902 002 2 Brake Pads	32	ZG046460002	PRO 122 003 0 Quadruple Circuit Protection Valve	47
81508206046	340 902 002 2 Brake Pads	32	ZG046540002	PRO 648 000 0 Park Release Emergency Valve	79
81508206051	340 902 003 2 Brake Pads	33	ZG046560002	PRO 011 002 0 Relay Valve	83
81508206052	340 902 003 2 Brake Pads	33	ZG046570002	PRO 011 001 0 Relay Valve	83
81508206054	340 901 050 2 Brake Pads	31	81437016564	PRO 600 322 0 Shock Absorber	61
81508206055	340 901 070 2 Brake Pads	32	81437016584	PRO 600 322 0 Shock Absorber	61
81508206056	340 901 070 2 Brake Pads	32	81437016620	PRO 600 322 0 Shock Absorber	61
81508206058	340 901 060 2 Brake Pads	31	81437016634	PRO 600 322 0 Shock Absorber	61
81508206059	340 901 060 2 Brake Pads	31	81437016710	PRO 600 322 0 Shock Absorber	61
81508206060	340 901 060 2 Brake Pads	31	81437016793	PRO 600 325 0 Shock Absorber	61
81508206061	340 901 070 2 Brake Pads	32	81998041230	PRO 036 002 0 Directional Control Valve	77
81508206065	340 322 000 2 Brake Pads	31	81521856060	PRO 036 002 0 Directional Control Valve	77
81508206066	340 322 000 2 Brake Pads	31	N1011063689	PRO 643 101 0 Proportional Relay Valve	98
81508206066	340 902 002 2 Brake Pads	32	N2521160022	PRO 643 102 0 Proportional Relay Valve	98
81508226044	340 902 002 2 Brake Pads	32	81521166010	PRO 643 020 0 Proportional Relay Valve	98
81521016153	PRO 015 004 0 Pressure Limiting Valve	50	81521166013	PRO 643 020 0 Proportional Relay Valve	98
81521016269	PRO 010 300 0 Pressure Limiting Valve	49	81521166014	PRO 643 020 0 Proportional Relay Valve	98
81521016270	PRO 010 301 0 Pressure Limiting Valve	49	81521166019	PRO 643 020 0 Proportional Relay Valve	98
81521016283	PRO 010 314 0 Pressure Limiting Valve	49	81521166020	PRO 643 020 0 Proportional Relay Valve	98
81521016284	PRO 010 317 0 Pressure Limiting Valve	49	81521166021	PRO 643 020 0 Proportional Relay Valve	98
81521016287	PRO 010 318 0 Pressure Limiting Valve	49	81521166022	PRO 643 020 0 Proportional Relay Valve	98
81521016295	PRO 010 333 0 Pressure Limiting Valve	50	81521166023	PRO 643 020 0 Proportional Relay Valve	98
81521026024	PRO 410 004 0 Air Dryer	38	3864297044	PRO 643 020 0 Proportional Relay Valve	98
81521026027	PRO 410 003 0 Air Dryer	38	42033847	PRO 643 020 0 Proportional Relay Valve	98
81521026048	PRO 410 003 0 Air Dryer	38	42033849	PRO 643 020 0 Proportional Relay Valve	98
81521026097	PRO 410 004 0 Air Dryer	38	42043782	PRO 643 020 0 Proportional Relay Valve	98
81521026209	PRO 410 001 0 Air Dryer	38	42071349	PRO 643 020 0 Proportional Relay Valve	98
81521026219	PRO 410 001 0 Air Dryer	38	42159063	PRO 643 020 0 Proportional Relay Valve	98
81521026223	PRO 410 001 0 Air Dryer	38	81521166036	PRO 643 020 0 Proportional Relay Valve	98
81521026367	PRO 410 001 0 Air Dryer	38	<b>Manac</b>		
81521026368	PRO 410 001 0 Air Dryer	38	981-128969-03	PRO 537 018 0 ABS Extension Cable	93
81521026369	PRO 410 001 0 Air Dryer	38	<b>MANOS</b>		
81521026399	PRO 410 001 0 Air Dryer	38	2157	PRO 648 000 0 Park Release Emergency Valve	79
81521166070	PRO 011 006 0 Relay Valve	83	<b>MAZ</b>		
81521166075	PRO 011 003 0 Relay Valve	83	9254920000	PRO 492 005 0 Spring Brake Actuator	23
81521166089	PRO 011 000 0 Relay Valve	83	9700514370	PRO 051 009 0 Clutch servo	67
81521516095	PRO 122 001 0 Quadruple Circuit Protection Valve	47	9700514570	PRO 051 010 0 Clutch servo	67
81521516098	PRO 122 001 0 Quadruple Circuit Protection Valve	47	<b>Meiller</b>		
82521016036	PRO 015 005 0 Pressure Limiting Valve	50	39004882	PRO 527 004 0 Trailer Release Valve	87
8550001-4354	PRO 315 008 0 Foot Brake Valve	73	39004884	PRO 527 005 0 Trailer Release Valve	87
88521026001	PRO 410 003 0 Air Dryer	38			
99100360454	PRO 410 003 0 Air Dryer	38			
99100360471	PRO 410 003 0 Air Dryer	38			
E41031426	PRO 011 009 0 Relay Valve	83			

Ref. No	ProVia number / product	Page	Ref. No	ProVia number / product	Page
706060/7004428	PRO 648 002 0 Relay Emergency Valve.....	85	004429384480	PRO 011 006 0 Relay Valve.....	83
795113/39004636	PRO 006 003 0 Chassis Levelling Valve.....	57	0044297844	PRO 011 007 0 Relay Valve.....	83
796890	PRO 527 004 0 Trailer Release Valve.....	87	14200920	340 904 004 2 Brake Pads.....	33
796892	PRO 527 005 0 Trailer Release Valve.....	87	14201520	340 904 003 2 Brake Pads.....	33
796894/39004885	PRO 648 001 0 Relay Emergency Valve.....	85	14209220	340 904 004 2 Brake Pads.....	33
798307/70009948	PRO 412 002 0 ECAS Solenoid Valve.....	104	14210510	340 901 050 2 Brake Pads.....	31
79838370182395	PRO 648 000 0 Park Release Emergency Valve.....	80	14210610	340 901 050 2 Brake Pads.....	31
798385/70182397	PRO 412 030 0 ECAS Distance sensor.....	110	14211710	340 901 060 2 Brake Pads.....	31
798857/70193564	PRO 412 002 0 ECAS Solenoid Valve.....	104	14212510	340 901 050 2 Brake Pads.....	31
799027/70143221	PRO 648 003 0 Relay Emergency Valve.....	85	14212610	340 901 050 2 Brake Pads.....	31
79905170062155	PRO 648 000 0 Park Release Emergency Valve.....	79	15866342	340 904 004 2 Brake Pads.....	33
799158/70045868	PRO 006 001 0 Chassis Levelling Valve.....	57	24200820	340 902 002 2 Brake Pads.....	32
79684270112650	PRO 537 023 0 ABS Extension Cable.....	94	2420222010	340 901 070 2 Brake Pads.....	32
79684339017403	PRO 537 030 0 ABS Extension Cable.....	95	24204920	340 901 070 2 Brake Pads.....	32
79684470121992	PRO 537 040 0 ABS Extension Cable.....	95	24205520	340 902 002 2 Brake Pads.....	32
79696139004922	PRO 537 051 0 ABS Extension Cable.....	96	24205720	340 904 003 2 Brake Pads.....	33
79684639019947	PRO 537 060 0 ABS Extension Cable.....	96	24206220	340 904 003 2 Brake Pads.....	33
79936239004980	PRO 714 000 0 Brake Chamber Cam.....	14	24207820	340 901 060 2 Brake Pads.....	31
79936339004981	PRO 714 007 0 Brake Chamber Cam.....	15	24207920	340 901 060 2 Brake Pads.....	31
79936139004979	PRO 714 015 0 Brake Chamber Cam.....	16	34201120	340 901 050 2 Brake Pads.....	31
			34201220	340 901 050 2 Brake Pads.....	31
			34201520	340 904 003 2 Brake Pads.....	33
<b>Mercedes-Benz</b>			34201620	340 901 070 2 Brake Pads.....	32
4207424	PRO 714 000 0 Brake Chamber Cam.....	14	34202020	340 901 070 2 Brake Pads.....	32
4207524	PRO 714 000 0 Brake Chamber Cam.....	14	34202220	340 901 070 2 Brake Pads.....	32
4208024	PRO 714 007 0 Brake Chamber Cam.....	15	34203520	340 901 070 2 Brake Pads.....	32
4209124	PRO 714 000 0 Brake Chamber Cam.....	14	34203620	340 904 004 2 Brake Pads.....	33
4209224	PRO 714 000 0 Brake Chamber Cam.....	14	34204420	340 904 003 2 Brake Pads.....	33
4209924	PRO 714 016 0 Brake Chamber Cam.....	17	34204620	340 904 001 2 Brake Pads.....	33
14200224	PRO 714 016 0 Brake Chamber Cam.....	17	34206620	340 901 050 2 Brake Pads.....	31
14200624	PRO 714 016 0 Brake Chamber Cam.....	17	34207220	340 901 050 2 Brake Pads.....	31
14200824	PRO 714 016 0 Brake Chamber Cam.....	17	34207320	340 901 050 2 Brake Pads.....	31
14200924	PRO 714 016 0 Brake Chamber Cam.....	17	34207420	340 904 004 2 Brake Pads.....	33
14203524	PRO 714 000 0 Brake Chamber Cam.....	14	34207720	340 904 003 2 Brake Pads.....	33
14203624	PRO 714 000 0 Brake Chamber Cam.....	14	34208420	340 902 002 2 Brake Pads.....	32
14203724	PRO 714 000 0 Brake Chamber Cam.....	14	4207520	340 904 004 2 Brake Pads.....	33
14203824	PRO 714 000 0 Brake Chamber Cam.....	14	4210510	340 901 070 2 Brake Pads.....	32
14203924	PRO 714 000 0 Brake Chamber Cam.....	14	4210710	340 901 060 2 Brake Pads.....	31
14206224	PRO 714 016 0 Brake Chamber Cam.....	17	4210810	340 901 060 2 Brake Pads.....	31
14206324	PRO 714 016 0 Brake Chamber Cam.....	17	4211010	340 901 050 2 Brake Pads.....	31
14206724	PRO 714 000 0 Brake Chamber Cam.....	14	4211210	340 901 050 2 Brake Pads.....	31
14206824	PRO 714 000 0 Brake Chamber Cam.....	14	4214310	340 901 070 2 Brake Pads.....	32
14207424	PRO 714 000 0 Brake Chamber Cam.....	14	4215010	340 901 060 2 Brake Pads.....	31
24206518	PRO 714 015 0 Brake Chamber Cam.....	16	44202220	340 901 070 2 Brake Pads.....	32
34201324	PRO 714 016 0 Brake Chamber Cam.....	17	44204820	340 904 003 2 Brake Pads.....	33
44208618	PRO 714 000 0 Brake Chamber Cam.....	14	44206020	340 901 070 2 Brake Pads.....	32
44208718	PRO 714 000 0 Brake Chamber Cam.....	14	44206120	340 901 050 2 Brake Pads.....	31
54207518	PRO 714 016 0 Brake Chamber Cam.....	17	44207020	340 901 073 2 Brake Pads.....	32
64201618	PRO 714 000 0 Brake Chamber Cam.....	14	4571306915S1	PRO 510 930 2 Compressor Cylinder Head.....	51
64201718	PRO 714 000 0 Brake Chamber Cam.....	14	54202320	340 901 060 2 Brake Pads.....	31
64202718	PRO 714 016 0 Brake Chamber Cam.....	17	6694200020	340 904 003 2 Brake Pads.....	33
74200018	PRO 714 016 0 Brake Chamber Cam.....	17	6694200120	340 904 003 2 Brake Pads.....	33
6984203721	PRO 714 015 0 Brake Chamber Cam.....	16	6704202820	340 904 003 2 Brake Pads.....	33
6994200724	PRO 714 015 0 Brake Chamber Cam.....	16	8285407000	PRO 410 003 0 Air Dryer.....	38
6994203721	PRO 714 015 0 Brake Chamber Cam.....	16	9054200020	340 904 003 2 Brake Pads.....	33
0003278525	PRO 412 000 0 ECAS Solenoid Valve.....	103	A0001315119	PRO 154 002 2 Compressor Cylinder Head.....	51
0004209624	PRO 492 006 0 Spring Brake Actuator.....	23	A0002500562	PRO 411 006 0 Pneumatic Clutch Actuator.....	68
0004209724	PRO 492 006 0 Spring Brake Actuator.....	23	A0002501562	PRO 411 006 0 Pneumatic Clutch Actuator.....	68
0024733006	PRO 011 004 0 Relay Valve.....	83	A0002540047	PRO 051 008 0 Clutch servo.....	67
0034305981	PRO 645 009 0 Hand Brake Valve.....	75	A0002540447	PRO 051 003 0 Clutch servo.....	67
0035422618	PRO 412 032 0 ECAS Distance sensor.....	110	A0002541247	PRO 051 008 0 Clutch servo.....	67
0044290644	PRO 643 000 0 Relay Valve.....	83	A0002952818	PRO 051 008 0 Clutch servo.....	67
0044291144	PRO 643 000 0 Relay Valve.....	83	A0003276725	PRO 412 001 0 ECAS Solenoid Valve.....	103

Ref. No	ProVia number / product	Page	Ref. No	ProVia number / product	Page
A0003278425	PRO 412 004 0 ECAS Solenoid Valve.....	104	A0024310715	PRO 100 100 0 Air Processing Unit.....	41
A0003279725	PRO 412 006 0 ECAS Solenoid Valve.....	104	A0024311206	PRO 015 004 0 Pressure Limiting Valve.....	50
A0003284530	PRO 007 011 0 Cabin Levelling Valve.....	59	A0024311515	PRO 100 100 0 Air Processing Unit.....	41
A0004207520	340 904 004 2 Brake Pads.....	33	A0024312406	PRO 015 005 0 Pressure Limiting Valve.....	50
A0004210510	340 901 070 2 Brake Pads.....	32	A0024313815	PRO 100 100 0 Air Processing Unit.....	41
A0004210710	340 901 060 2 Brake Pads.....	31	A0025422518	PRO 032 002 0 Wheel Speed Sensor.....	92
A0004210810	340 901 060 2 Brake Pads.....	31	A0025422618	PRO 032 011 0 Wheel Speed Sensor.....	93
A0004211010	340 901 050 2 Brake Pads.....	31	A0025423118	PRO 032 000 0 Wheel Speed Sensor.....	92
A0004211210	340 901 050 2 Brake Pads.....	31	A0025423818	PRO 032 011 0 Wheel Speed Sensor.....	93
A0004214310	340 901 070 2 Brake Pads.....	32	A0025426718	PRO 412 031 0 ECAS Distance sensor.....	110
A0004215010	340 901 060 2 Brake Pads.....	31	A0034201120	340 901 050 2 Brake Pads.....	31
A0004301215	PRO 400 001 0 Air Dryer.....	38	A0034201220	340 901 050 2 Brake Pads.....	31
A0004301315	PRO 400 001 0 Air Dryer.....	38	A0034201324	PRO 714 016 0 Brake Chamber Cam.....	17
A0004301515	PRO 400 002 0 Air Dryer.....	38	A0034201520	340 904 003 2 Brake Pads.....	33
A0004302915	PRO 400 001 0 Air Dryer.....	38	A0034201620	340 901 070 2 Brake Pads.....	32
A0004303015	PRO 400 001 0 Air Dryer.....	38	A0034202020	340 901 070 2 Brake Pads.....	32
A0004309815	PRO 400 001 0 Air Dryer.....	38	A0034202220	340 901 070 2 Brake Pads.....	32
A0004318815	PRO 410 003 0 Air Dryer.....	38	A0034203520	340 901 070 2 Brake Pads.....	32
A0011301215	PRO 352 922 2 Compressor Cylinder Head.....	51	A0034203620	340 904 004 2 Brake Pads.....	33
A0011302615	PRO 352 922 2 Compressor Cylinder Head.....	51	A0034204420	340 904 003 2 Brake Pads.....	33
A0011304715	PRO 510 920 2 Compressor Cylinder Head.....	51	A0034204620	340 904 001 2 Brake Pads.....	33
A0011305219	PRO 352 922 2 Compressor Cylinder Head.....	51	A0034206620	340 901 050 2 Brake Pads.....	31
A0011305915	PRO 510 920 2 Compressor Cylinder Head.....	51	A0034207220	340 901 050 2 Brake Pads.....	31
A0011307915	PRO 154 002 2 Compressor Cylinder Head.....	51	A0034207320	340 901 050 2 Brake Pads.....	31
A0014200920	340 904 004 2 Brake Pads.....	33	A0034207420	340 904 004 2 Brake Pads.....	33
A0014201520	340 904 003 2 Brake Pads.....	33	A0034207720	340 904 003 2 Brake Pads.....	33
A0014209220	340 904 004 2 Brake Pads.....	33	A0034208420	340 902 002 2 Brake Pads.....	32
A0014210510	340 901 050 2 Brake Pads.....	31	A0034291344	PRO 011 004 0 Relay Valve.....	83
A0014210610	340 901 050 2 Brake Pads.....	31	A0034310106	PRO 643 001 0 Pressure Limiting Valve.....	50
A0014211710	340 901 060 2 Brake Pads.....	31	A0034315406	PRO 934 005 0 Multiple Circuit Protection Valve.....	45
A0014212510	340 901 050 2 Brake Pads.....	31	A0034315706	PRO 934 005 0 Multiple Circuit Protection Valve.....	45
A0014212610	340 901 050 2 Brake Pads.....	31	A0034316106	PRO 934 005 0 Multiple Circuit Protection Valve.....	45
A0014312215	PRO 122 008 0 Air Dryer.....	37	A0034316806	PRO 934 005 0 Multiple Circuit Protection Valve.....	45
A0014312315	PRO 122 006 0 Air Dryer.....	37	A0034318906	PRO 015 512 0 Pressure Limiting Valve.....	50
A0014316415	PRO 100 100 0 Air Processing Unit.....	41	A0044202220	340 901 070 2 Brake Pads.....	32
A0014316515	PRO 100 100 0 Air Processing Unit.....	41	A0044204820	340 904 003 2 Brake Pads.....	33
A0014316815	PRO 100 100 0 Air Processing Unit.....	41	A0044206020	340 901 070 2 Brake Pads.....	32
A0014317815	PRO 100 100 0 Air Processing Unit.....	41	A0044206120	340 901 050 2 Brake Pads.....	31
A0014317915	PRO 100 100 0 Air Processing Unit.....	41	A0044207020	340 901 073 2 Brake Pads.....	32
A0014318115	PRO 100 100 0 Air Processing Unit.....	41	A0044293844	PRO 011 006 0 Relay Valve.....	83
A0014318215	PRO 100 100 0 Air Processing Unit.....	41	A0044296244	PRO 011 007 0 Relay Valve.....	83
A0014318305	PRO 315 008 0 Foot Brake Valve.....	73	A0044296344	PRO 011 003 0 Relay Valve.....	83
A0015423118	PRO 032 003 0 Wheel Speed Sensor.....	92	A0044297644	PRO 643 002 0 Relay Valve.....	83
A0015423318	PRO 032 011 0 Wheel Speed Sensor.....	93	A0044299644	PRO 010 318 0 Pressure Limiting Valve.....	50
A0015426818	PRO 032 002 0 Wheel Speed Sensor.....	92	A0044314105	PRO 315 263 0 Foot Brake Valve.....	73
A0015427818	PRO 032 002 0 Wheel Speed Sensor.....	92	A0044314605	PRO 315 264 0 Foot Brake Valve.....	73
A0015427819	PRO 032 002 0 Wheel Speed Sensor.....	92	A0044315905	PRO 315 264 0 Foot Brake Valve.....	73
A0015428718	PRO 032 003 0 Wheel Speed Sensor.....	92	A0054202320	340 901 060 2 Brake Pads.....	31
A0015428818	PRO 032 011 0 Wheel Speed Sensor.....	93	A0054290344	PRO 010 332 0 Pressure Limiting Valve.....	49
A0015428918	PRO 032 011 0 Wheel Speed Sensor.....	93	A0054290444	PRO 010 314 0 Pressure Limiting Valve.....	49
A0015866342	340 904 004 2 Brake Pads.....	33	A0054291044	PRO 643 004 0 Relay Valve.....	83
A0019050400	PRO 032 010 0 Wheel Speed Sensor.....	93	A0054293244	PRO 643 330 0 Pressure Limiting Valve.....	50
A0024200820	340 902 002 2 Brake Pads.....	32	A0054297444	PRO 643 335 0 Pressure Limiting Valve.....	50
A0024202010	340 901 070 2 Brake Pads.....	32	A0054298544	PRO 643 339 0 Pressure Limiting Valve.....	50
A0024204920	340 901 070 2 Brake Pads.....	32	A0064201420	340 319 006 2 Brake Pads.....	31
A0024205520	340 902 002 2 Brake Pads.....	32	A0064201520	340 319 005 2 Brake Pads.....	31
A0024205720	340 904 003 2 Brake Pads.....	33	A0065427618	PRO 032 010 0 Wheel Speed Sensor.....	93
A0024206220	340 904 003 2 Brake Pads.....	33	A0075427218	PRO 032 007 0 Wheel Speed Sensor.....	93
A0024207820	340 901 060 2 Brake Pads.....	31	A0114205818	PRO 432 001 0 Spring Brake Actuator.....	21
A0024207920	340 901 060 2 Brake Pads.....	31	A0114205918	PRO 432 001 0 Spring Brake Actuator.....	21
A0024310415	PRO 100 100 0 Air Processing Unit.....	41	A0114209118	PRO 432 001 0 Spring Brake Actuator.....	21
A0024310515	PRO 100 100 0 Air Processing Unit.....	41	A0144200018	PRO 432 001 0 Spring Brake Actuator.....	21
A0024310615	PRO 100 100 0 Air Processing Unit.....	41	A0144200118	PRO 432 001 0 Spring Brake Actuator.....	21

Ref. No	ProVia number / product	Page	Ref. No	ProVia number / product	Page
A0154209318	PRO 481 012 0 Spring Brake Actuator .....	22	3276-Y-1143	PRO 499 001 0 Spring Brake Actuator .....	23
A0164204018	PRO 420 001 0 Spring Brake Actuator .....	21	68324558	340 902 003 2 Brake Pads .....	33
A0194205618	PRO 481 012 0 Spring Brake Actuator .....	22	68325346	340 902 003 2 Brake Pads .....	33
A0194205718	PRO 481 012 0 Spring Brake Actuator .....	22	68326015	340 902 003 2 Brake Pads .....	33
A0194207718	PRO 491 003 0 Spring Brake Actuator .....	22	MDP1314	340 902 004 2 Brake Pads .....	33
A0194207818	PRO 491 003 0 Spring Brake Actuator .....	22	MDP5038	340 902 002 2 Brake Pads .....	32
A0194208118	PRO 492 003 0 Spring Brake Actuator .....	23	MDP5065	340 902 002 2 Brake Pads .....	32
A0194208218	PRO 492 003 0 Spring Brake Actuator .....	23	MDP5076	340 902 004 2 Brake Pads .....	33
A0194209118	PRO 491 002 0 Spring Brake Actuator .....	22	S4231059000	PRO 714 015 0 Brake Chamber Cam .....	16
A0194209218	PRO 491 002 0 Spring Brake Actuator .....	22	S4231079000	PRO 714 007 0 Brake Chamber Cam .....	15
A0194209918	PRO 492 003 0 Spring Brake Actuator .....	23	S4497120180	PRO 537 018 0 ABS Extension Cable .....	94
A0204200018	PRO 492 003 0 Spring Brake Actuator .....	23	S4497120230	PRO 537 023 0 ABS Extension Cable .....	94
A0204203318	PRO 480 010 0 Spring Brake Actuator .....	22	S4497120380	PRO 537 038 0 ABS Extension Cable .....	95
A0204203418	PRO 480 010 0 Spring Brake Actuator .....	22	S4497120510	PRO 537 051 0 ABS Extension Cable .....	95
A0204203518	PRO 480 010 0 Spring Brake Actuator .....	22	S4497121000	PRO 537 100 0 ABS Extension Cable .....	96
A0204203618	PRO 480 010 0 Spring Brake Actuator .....	22	S9710029000	PRO 648 000 0 Park Release Emergency Valve .....	79
A0234205318	PRO 481 012 0 Spring Brake Actuator .....	22	S9710029120	PRO 648 000 0 Park Release Emergency Valve .....	79
A0234205418	PRO 481 012 0 Spring Brake Actuator .....	22	21222271	PRO 601 067 0 Shock Absorber .....	62
A0234207018	PRO 481 012 0 Spring Brake Actuator .....	22	21224531	PRO 601 067 0 Shock Absorber .....	62
A0234207118	PRO 481 012 0 Spring Brake Actuator .....	22	21224745	PRO 601 067 0 Shock Absorber .....	62
A0244200918	PRO 461 101 0 Spring Brake Actuator .....	21	21224331B	PRO 601 067 0 Shock Absorber .....	62
A0244201018	PRO 461 101 0 Spring Brake Actuator .....	21	21221348	PRO 601 069 0 Shock Absorber .....	62
A15-0101	PRO 032 000 0 Wheel Speed Sensor .....	92	21215607	PRO 601 077 0 Shock Absorber .....	62
A6694200020	340 904 003 2 Brake Pads .....	33	21215742	PRO 601 077 0 Shock Absorber .....	62
A6694200120	340 904 003 2 Brake Pads .....	33	21221306	PRO 601 077 0 Shock Absorber .....	62
A6704202820	340 904 003 2 Brake Pads .....	33			
A6984203721	PRO 714 015 0 Brake Chamber Cam .....	16	<b>METANOX</b>		
A6994200724	PRO 714 015 0 Brake Chamber Cam .....	16	10078	PRO 648 000 0 Park Release Emergency Valve .....	80
A6994203721	PRO 714 015 0 Brake Chamber Cam .....	16			
A9054200020	340 904 003 2 Brake Pads .....	33	<b>Midwest</b>		
54291244	PRO 643 101 0 Proportional Relay Valve .....	98	WAR955205	PRO 122 019 0 Air Dryer .....	37
54296944	PRO 643 101 0 Proportional Relay Valve .....	98			
A0054291244	PRO 643 101 0 Proportional Relay Valve .....	98	<b>MIELE</b>		
A0054296944	PRO 643 101 0 Proportional Relay Valve .....	98	060AMM0505	PRO 601 066 0 Shock Absorber .....	61
44298644	PRO 643 101 0 Proportional Relay Valve .....	98	060AMM0504	PRO 601 077 0 Shock Absorber .....	62
A0044298644	PRO 643 101 0 Proportional Relay Valve .....	98			
375215	PRO 643 101 0 Proportional Relay Valve .....	98	<b>NATO</b>		
361623	PRO 643 101 0 Proportional Relay Valve .....	98	2530121913561	PRO 714 016 0 Brake Chamber Cam .....	17
41032230	PRO 643 101 0 Proportional Relay Valve .....	98	2530123112454	PRO 714 000 0 Brake Chamber Cam .....	14
54291344	PRO 643 102 0 Proportional Relay Valve .....	98	2530123127703	PRO 714 015 0 Brake Chamber Cam .....	16
A0054291344	PRO 643 102 0 Proportional Relay Valve .....	98	2530123138352	PRO 714 007 0 Brake Chamber Cam .....	15
44299344	PRO 643 102 0 Proportional Relay Valve .....	98	2530211913561	PRO 714 016 0 Brake Chamber Cam .....	17
A0054298944	PRO 643 103 0 Proportional Relay Valve .....	98	2530233112454	PRO 714 000 0 Brake Chamber Cam .....	14
A0064290244	PRO 643 104 0 Proportional Relay Valve .....	98	2530233127703	PRO 714 015 0 Brake Chamber Cam .....	16
4293044	PRO 643 020 0 Proportional Relay Valve .....	98	2530233138352	PRO 714 007 0 Brake Chamber Cam .....	15
14296844	PRO 643 020 0 Proportional Relay Valve .....	98	4810123666446	PRO 412 001 0 ECAS Solenoid Valve .....	103
14299144	PRO 643 020 0 Proportional Relay Valve .....	98	6695123889365	PRO 412 030 0 ECAS Distance sensor .....	110
24298444	PRO 643 020 0 Proportional Relay Valve .....	98			
34291644	PRO 643 020 0 Proportional Relay Valve .....	98	<b>Neoplan</b>		
34295344	PRO 643 020 0 Proportional Relay Valve .....	98	7010016	PRO 714 016 0 Brake Chamber Cam .....	17
34295944	PRO 643 020 0 Proportional Relay Valve .....	98	7010020	PRO 714 015 0 Brake Chamber Cam .....	16
A0014296844	PRO 643 020 0 Proportional Relay Valve .....	98	7010024	PRO 714 000 0 Brake Chamber Cam .....	14
3864297044	PRO 643 020 0 Proportional Relay Valve .....	98	7010030	PRO 714 007 0 Brake Chamber Cam .....	15
42033847	PRO 643 020 0 Proportional Relay Valve .....	98	7133000	PRO 527 005 0 Trailer Release Valve .....	87
42033849	PRO 643 020 0 Proportional Relay Valve .....	98	7173023	PRO 537 023 0 ABS Extension Cable .....	94
42043782	PRO 643 020 0 Proportional Relay Valve .....	98	7173080	PRO 537 080 0 ABS Extension Cable .....	96
42071349	PRO 643 020 0 Proportional Relay Valve .....	98	11015181	PRO 714 000 0 Brake Chamber Cam .....	14
42159063	PRO 643 020 0 Proportional Relay Valve .....	98	80220100	PRO 714 000 0 Brake Chamber Cam .....	14
81521166036	PRO 643 020 0 Proportional Relay Valve .....	98	1101016529	PRO 412 001 0 ECAS Solenoid Valve .....	103
			81259026145	PRO 412 002 0 ECAS Solenoid Valve .....	104
			81259026146	PRO 412 001 0 ECAS Solenoid Valve .....	103
<b>MERITOR</b>			81259026230	PRO 412 007 0 ECAS Solenoid Valve .....	104
20533205	PRO 491 004 0 Spring Brake Actuator .....	23	81259026237	PRO 412 003 0 ECAS Solenoid Valve .....	104
3276-X-1142	PRO 499 001 0 Spring Brake Actuator .....	23			

Ref. No	ProVia number / product	Page	Ref. No	ProVia number / product	Page
81259026239	PRO 412 001 0 ECAS Solenoid Valve .....	103	2008950	PRO 537 051 0 ABS Extension Cable .....	96
81259370040	PRO 412 033 0 ECAS Distance sensor .....	110	2090150	PRO 648 000 0 Park Release Emergency Valve .....	79
81271206117	PRO 032 003 0 Wheel Speed Sensor .....	92	3311371	PRO 537 100 0 ABS Extension Cable .....	96
81307256084	PRO 051 002 0 Clutch servo .....	67	3311373	PRO 537 051 0 ABS Extension Cable .....	96
81307256104	PRO 051 003 0 Clutch servo .....	67	3478622	PRO 412 030 0 ECAS Distance sensor .....	110
81307256115	PRO 411 011 0 Clutch servo .....	67	3478624	PRO 412 002 0 ECAS Solenoid Valve .....	104
81307256116	PRO 051 001 0 Clutch servo .....	67	400712115	PRO 648 000 0 Park Release Emergency Valve .....	79
81521026098	PRO 122 007 0 Air Dryer .....	37	0308065	PRO 527 002 0 Trailer Release Valve .....	87
81521166068	PRO 643 000 0 Relay Valve .....	83	1319581	PRO 527 005 0 Trailer Release Valve .....	87
11017339	PRO 015 004 0 Pressure Limiting Valve .....	50	1664248	PRO 461 101 0 Spring Brake Actuator .....	21
11017447	PRO 410 003 0 Air Dryer .....	38	1664252	PRO 461 101 0 Spring Brake Actuator .....	21
110243200	PRO 015 004 0 Pressure Limiting Valve .....	50	1745134	PRO 648 002 0 Relay Emergency Valve .....	85
502657308	PRO 410 003 0 Air Dryer .....	38	308033	PRO 648 001 0 Relay Emergency Valve .....	85
7128000	PRO 527 004 0 Trailer Release Valve .....	87	308063	PRO 527 004 0 Trailer Release Valve .....	87
81521516098	PRO 122 001 0 Quadruple Circuit Protection Valve .....	47	308066	PRO 527 001 0 Trailer Release Valve .....	87
82135100	340 901 070 2 Brake Pads .....	32	309101	PRO 006 003 0 Chassis Levelling Valve .....	57
81521856060	PRO 036 002 0 Directional Control Valve .....	77	3323119	PRO 006 001 0 Chassis Levelling Valve .....	57
			<b>Omar</b>		
<b>NIPPON FRUEHAUF</b>			13612	PRO 601 077 0 Shock Absorber .....	62
7385-267	PRO 537 038 0 ABS Extension Cable .....	95			
7835-389	PRO 537 051 0 ABS Extension Cable .....	96	<b>O.M.T.</b>		
			22450420	PRO 601 077 0 Shock Absorber .....	62
<b>NIPPON SHARYO</b>					
A3000JC15901	PRO 648 000 0 Park Release Emergency Valve .....	79	<b>Orthaus</b>		
			407007	PRO 714 000 0 Brake Chamber Cam .....	14
<b>NIPPON TREX</b>			495068	PRO 412 001 0 ECAS Solenoid Valve .....	103
912002-00012	PRO 648 000 0 Park Release Emergency Valve .....	79	508068	PRO 537 023 0 ABS Extension Cable .....	94
924301-00122	PRO 537 030 0 ABS Extension Cable .....	95	508070	PRO 537 030 0 ABS Extension Cable .....	95
924301-00123	PRO 537 038 0 ABS Extension Cable .....	95	508075	PRO 537 100 0 ABS Extension Cable .....	96
924301-00126	PRO 537 100 0 ABS Extension Cable .....	96	49501101000	PRO 527 004 0 Trailer Release Valve .....	87
			50809802300	PRO 537 023 0 ABS Extension Cable .....	94
<b>Nissan</b>			50809805100	PRO 537 051 0 ABS Extension Cable .....	96
410609X425	340 902 005 2 Brake Pads .....	33	50809810002	PRO 537 100 0 ABS Extension Cable .....	96
41060G490A	340 904 005 2 Brake Pads .....	33	495039	PRO 006 003 0 Chassis Levelling Valve .....	57
41060MB225	340 904 001 2 Brake Pads .....	33	495040	PRO 006 001 0 Chassis Levelling Valve .....	57
41060MB625	340 904 001 2 Brake Pads .....	33	495058	PRO 527 001 0 Trailer Release Valve .....	87
47540D6400	PRO 410 003 0 Air Dryer .....	38	495060	PRO 527 005 0 Trailer Release Valve .....	87
479009X600	PRO 032 010 0 Wheel Speed Sensor .....	93			
5000295329	340 904 005 2 Brake Pads .....	33	<b>Otokar</b>		
5000815574	340 904 005 2 Brake Pads .....	33	12F00-08085-AA	PRO 122 006 0 Air Dryer .....	37
69052941	340 904 005 2 Brake Pads .....	33	13C2508396AA	PRO 643 004 0 Relay Valve .....	83
7701203700	340 904 005 2 Brake Pads .....	33	16N00-05728-BA	PRO 032 000 0 Wheel Speed Sensor .....	92
			16N0803778AA	PRO 537 060 0 ABS Extension Cable .....	96
<b>NOMA</b>			A-IF0503	PRO 527 005 0 Trailer Release Valve .....	87
9213005	PRO 648 000 0 Park Release Emergency Valve .....	79	AIF0637	PRO 537 023 0 ABS Extension Cable .....	95
			A-IF0772	PRO 527 004 0 Trailer Release Valve .....	87
<b>Nooteboom</b>			AIF0840	PRO 537 030 0 ABS Extension Cable .....	95
5207	PRO 714 016 0 Brake Chamber Cam .....	17	A-IF0944	PRO 527 006 0 Trailer Release Valve .....	87
5209	PRO 714 000 0 Brake Chamber Cam .....	14	AIF1164	PRO 648 000 0 Park Release Emergency Valve .....	79
8815	PRO 537 018 0 ABS Extension Cable .....	94	AIF2006	PRO 648 000 0 Park Release Emergency Valve .....	79
15502	PRO 537 080 0 ABS Extension Cable .....	96	A-IF2063	PRO 412 030 0 ECAS Distance sensor .....	110
16062	PRO 412 002 0 ECAS Solenoid Valve .....	104	F005268	PRO 006 001 0 Chassis Levelling Valve .....	57
305049	PRO 714 016 0 Brake Chamber Cam .....	17	16H1208506AA	PRO 036 001 0 Directional Control Valve .....	77
305050	PRO 714 015 0 Brake Chamber Cam .....	16	16H1208526AA	PRO 643 101 0 Proportional Relay Valve .....	98
305051	PRO 714 000 0 Brake Chamber Cam .....	14			
305052	PRO 714 007 0 Brake Chamber Cam .....	15	<b>Paccar</b>		
310020	PRO 537 018 0 ABS Extension Cable .....	94	834481	PRO 714 016 0 Brake Chamber Cam .....	17
310021	PRO 537 038 0 ABS Extension Cable .....	95	834482	PRO 714 015 0 Brake Chamber Cam .....	16
310023	PRO 537 023 0 ABS Extension Cable .....	94	834483	PRO 714 000 0 Brake Chamber Cam .....	14
1077834	PRO 537 080 0 ABS Extension Cable .....	96	834484	PRO 714 007 0 Brake Chamber Cam .....	15
1529250	PRO 537 038 0 ABS Extension Cable .....	95	865699	PRO 537 018 0 ABS Extension Cable .....	94
1552750	PRO 537 023 0 ABS Extension Cable .....	94	867636	PRO 537 040 0 ABS Extension Cable .....	95
1599220	PRO 537 100 0 ABS Extension Cable .....	96			

Ref. No	ProVia number / product	Page	Ref. No	ProVia number / product	Page
867637	PRO 537 080 0 ABS Extension Cable	96	<b>PETERBILT</b>		
871383	PRO 537 100 0 ABS Extension Cable	96	S423-107-900-0 PRO 714 007 0 Brake Chamber Cam	15	
1365935	PRO 412 030 0 ECAS Distance sensor	110	S449-712-018-0 PRO 537 018 0 ABS Extension Cable	94	
1503133	PRO 643 307 0 Pressure Limiting Valve	50	S449-712-023-0 PRO 537 023 0 ABS Extension Cable	94	
1505034	PRO 122 005 0 Air Dryer	37	S449-712-038-0 PRO 537 038 0 ABS Extension Cable	95	
1505058	PRO 537 023 0 ABS Extension Cable	95	S449-712-051-0 PRO 537 051 0 ABS Extension Cable	95	
1505059	PRO 537 030 0 ABS Extension Cable	95	S971-002-900-0 PRO 648 000 0 Park Release Emergency Valve	79	
1505060	PRO 537 038 0 ABS Extension Cable	95			
1505061	PRO 537 051 0 ABS Extension Cable	95	<b>Ppt</b>		
1505062	PRO 537 060 0 ABS Extension Cable	96	20644100 PRO 714 016 0 Brake Chamber Cam	17	
1505094	PRO 643 001 0 Pressure Limiting Valve	50	20644160 PRO 714 015 0 Brake Chamber Cam	16	
1505096	PRO 643 031 0 Pressure Limiting Valve	50	20644210 PRO 714 000 0 Brake Chamber Cam	14	
1506196	PRO 643 500 0 Pressure Limiting Valve	50	20644270 PRO 714 007 0 Brake Chamber Cam	15	
1506464	PRO 051 008 0 Clutch servo	67			
1506467	PRO 051 006 0 Clutch servo	67	<b>Prevost</b>		
1518261	PRO 648 000 0 Park Release Emergency Valve	79	N8893599 340 901 070 2 Brake Pads	32	
1527600	PRO 051 003 0 Clutch servo	67			
1529084	PRO 491 004 0 Spring Brake Actuator	23	<b>Renault</b>		
1658313	PRO 643 308 0 Pressure Limiting Valve	50	38855200 PRO 714 000 0 Brake Chamber Cam	14	
08-02772	PRO 417 004 0 Cabin Levelling Valve	59	501006570 PRO 051 004 0 Clutch servo	67	
1361393	PRO 032 000 0 Wheel Speed Sensor	92	4231069000 PRO 714 000 0 Brake Chamber Cam	14	
1400071	PRO 032 010 0 Wheel Speed Sensor	93	4729000540 PRO 412 005 0 ECAS Solenoid Valve	104	
1504929	PRO 032 001 0 Wheel Speed Sensor	92	5000809565 PRO 714 000 0 Brake Chamber Cam	14	
1504951	PRO 032 000 0 Wheel Speed Sensor	92	5000815361 PRO 714 007 0 Brake Chamber Cam	15	
1504971	PRO 315 180 0 Foot Brake Valve	73	5001866914 340 319 001 2 Brake Pads	31	
1505052	PRO 032 010 0 Wheel Speed Sensor	93	5010143096 PRO 412 001 0 ECAS Solenoid Valve	103	
1505095	PRO 015 005 0 Pressure Limiting Valve	50	5010143097 PRO 412 005 0 ECAS Solenoid Valve	104	
1505097	PRO 015 072 0 Pressure Limiting Valve	50	5010422344 PRO 412 030 0 ECAS Distance sensor	110	
1505143R	PRO 051 008 0 Clutch servo	67	5010422345 PRO 412 001 0 ECAS Solenoid Valve	103	
1505215	PRO 032 003 0 Wheel Speed Sensor	92	5010457151 PRO 412 005 0 ECAS Solenoid Valve	104	
1505406	PRO 122 003 0 Quadruple Circuit Protection Valve	47	5010457434 PRO 412 002 0 ECAS Solenoid Valve	104	
1506003	PRO 032 001 0 Wheel Speed Sensor	92	5021170047 PRO 714 016 0 Brake Chamber Cam	17	
1506171	PRO 648 002 0 Relay Emergency Valve	85	5021170049 PRO 714 015 0 Brake Chamber Cam	16	
1506465R	PRO 051 002 0 Clutch servo	67	5021170051 PRO 714 000 0 Brake Chamber Cam	14	
1517895	PRO 015 004 0 Pressure Limiting Valve	50	5021170052 PRO 714 007 0 Brake Chamber Cam	15	
1518008	PRO 032 003 0 Wheel Speed Sensor	92	5021170141 PRO 537 018 0 ABS Extension Cable	94	
1518009	PRO 032 011 0 Wheel Speed Sensor	93	5021170142 PRO 537 023 0 ABS Extension Cable	95	
1518065	PRO 315 264 0 Foot Brake Valve	73	5021170143 PRO 537 030 0 ABS Extension Cable	95	
1518113	PRO 010 301 0 Pressure Limiting Valve	49	5021170144 PRO 537 038 0 ABS Extension Cable	95	
1519312	PRO 648 004 0 Relay Emergency Valve	85	5021170145 PRO 537 051 0 ABS Extension Cable	96	
1524015	PRO 015 072 0 Pressure Limiting Valve	50	5021170437 PRO 051 008 0 Clutch servo	67	
1524828	PRO 032 004 0 Wheel Speed Sensor	92	5021170458 PRO 643 000 0 Relay Valve	83	
1528811	PRO 412 032 0 ECAS Distance sensor	110	7420813850 PRO 645 004 0 Hand Brake Valve	75	
1528899	PRO 010 333 0 Pressure Limiting Valve	50	7421321296 PRO 417 025 0 Cabin Levelling Valve	59	
1528902	PRO 015 072 0 Pressure Limiting Valve	50	20533213 PRO 481 050 0 Spring Brake Actuator	22	
1529040	PRO 032 002 0 Wheel Speed Sensor	92	20573923 PRO 481 050 0 Spring Brake Actuator	22	
1703663	PRO 011 008 0 Relay Valve	83	20573923 PRO 481 050 0 Spring Brake Actuator	22	
1708305	PRO 015 072 0 Pressure Limiting Valve	50	20701803 PRO 704 932 2 Compressor Cylinder Head	51	
1778554	PRO 032 000 0 Wheel Speed Sensor	92	20713921 PRO 491 001 0 Spring Brake Actuator	22	
906782	PRO 015 512 0 Pressure Limiting Valve	50	20713922 PRO 491 001 0 Spring Brake Actuator	22	
CV114086	PRO 714 000 0 Brake Chamber Cam	14	20809444 PRO 481 050 0 Spring Brake Actuator	22	
883259	PRO 122 400 0 Electrically Controlled Air Dryer	40	20809445 PRO 481 050 0 Spring Brake Actuator	22	
905341	PRO 122 400 0 Electrically Controlled Air Dryer	40	21283616 PRO 481 050 0 Spring Brake Actuator	22	
1526541	PRO 124 702 2 Compact Cartridge	44	21283617 PRO 481 050 0 Spring Brake Actuator	22	
1518083	PRO 036 001 0 Directional Control Valve	77	21283618 PRO 481 050 0 Spring Brake Actuator	22	
1505280	PRO 643 101 0 Proportional Relay Valve	98	21296829 PRO 032 016 0 Wheel Speed Sensor	93	
1505288	PRO 643 101 0 Proportional Relay Valve	98	21326197 PRO 481 050 0 Spring Brake Actuator	22	
1448019	PRO 643 102 0 Proportional Relay Valve	98	21326198 PRO 481 050 0 Spring Brake Actuator	22	
			21326201 PRO 481 050 0 Spring Brake Actuator	22	
			21326202 PRO 481 050 0 Spring Brake Actuator	22	
<b>PASTRE</b>			21361881 PRO 032 014 0 Wheel Speed Sensor	93	
931160602	PRO 648 000 0 Park Release Emergency Valve	79	21361893 PRO 032 015 0 Wheel Speed Sensor	93	
			21596228 PRO 481 050 0 Spring Brake Actuator	22	

Ref. No	ProVia number / product	Page	Ref. No	ProVia number / product	Page
21596229	PRO 481 050 0 Spring Brake Actuator	22	7420573922	PRO 481 050 0 Spring Brake Actuator	22
21994025	PRO 499 001 0 Spring Brake Actuator	23	7420573923	PRO 481 050 0 Spring Brake Actuator	22
22080435	PRO 491 001 0 Spring Brake Actuator	22	7420713921	PRO 491 001 0 Spring Brake Actuator	22
22080447	PRO 481 050 0 Spring Brake Actuator	22	7420713922	PRO 491 001 0 Spring Brake Actuator	22
22080448	PRO 481 050 0 Spring Brake Actuator	22	7420721845	PRO 481 050 0 Spring Brake Actuator	22
24425719	PRO 481 050 0 Spring Brake Actuator	22	7420746460	PRO 007 023 0 Cabin Levelling Valve	59
24425720	PRO 481 050 0 Spring Brake Actuator	22	7420746465	PRO 007 007 0 Cabin Levelling Valve	59
5001014704	340 902 005 2 Brake Pads	33	7420809445	PRO 481 050 0 Spring Brake Actuator	22
5001020312	340 902 003 2 Brake Pads	33	7420815460	PRO 491 001 0 Spring Brake Actuator	22
5001823000	340 902 002 2 Brake Pads	32	7420974639	PRO 491 001 0 Spring Brake Actuator	22
5001825339	340 902 005 2 Brake Pads	33	7420974642	PRO 491 001 0 Spring Brake Actuator	22
5001833104	340 902 192 2 Brake Pads	33	7421283616	PRO 481 050 0 Spring Brake Actuator	22
5001842048	340 904 005 2 Brake Pads	33	7421283617	PRO 481 050 0 Spring Brake Actuator	22
5001844747	340 904 002 2 Brake Pads	33	7421283618	PRO 481 050 0 Spring Brake Actuator	22
5001844748	340 904 001 2 Brake Pads	33	7421296829	PRO 032 016 0 Wheel Speed Sensor	93
5001846034	340 902 001 2 Brake Pads	32	7421326201	PRO 481 050 0 Spring Brake Actuator	22
5001850859	340 904 002 2 Brake Pads	33	7421326202	PRO 481 050 0 Spring Brake Actuator	22
5001854342	340 902 002 2 Brake Pads	32	7421339179	PRO 015 072 0 Pressure Limiting Valve	50
5001855646	340 902 003 2 Brake Pads	33	7421380908	PRO 491 001 0 Spring Brake Actuator	22
5001857615	340 902 192 2 Brake Pads	33	7421399915	340 902 220 2 Brake Pads	33
5001864363	340 902 221 2 Brake Pads	33	7421399929	340 902 221 2 Brake Pads	33
5001864364	340 902 221 2 Brake Pads	33	7421401943	PRO 481 050 0 Spring Brake Actuator	22
5001864365	340 902 220 2 Brake Pads	33	7421401944	PRO 481 050 0 Spring Brake Actuator	22
5001864380	340 902 191 2 Brake Pads	33	7421496557	340 902 191 2 Brake Pads	33
5001865750	340 902 001 2 Brake Pads	32	7421596228	PRO 481 050 0 Spring Brake Actuator	22
5001866951	340 175 000 2 Brake Pads	31	7421596229	PRO 481 050 0 Spring Brake Actuator	22
5001873218	340 902 005 2 Brake Pads	33	7421994025	PRO 499 001 0 Spring Brake Actuator	23
5010136105	PRO 007 023 0 Cabin Levelling Valve	59	7422080435	PRO 491 001 0 Spring Brake Actuator	22
5010216959	PRO 499 001 0 Spring Brake Actuator	23	7422080447	PRO 481 050 0 Spring Brake Actuator	22
5010251265	PRO 499 001 0 Spring Brake Actuator	23	7422080448	PRO 481 050 0 Spring Brake Actuator	22
5010260136	PRO 007 007 0 Cabin Levelling Valve	59	7424425719	PRO 481 050 0 Spring Brake Actuator	22
5010260186	PRO 492 006 0 Spring Brake Actuator	23	7424425720	PRO 481 050 0 Spring Brake Actuator	22
5010260187	PRO 492 006 0 Spring Brake Actuator	23	1384549	PRO 124 702 2 Compact Cartridge	44
5010260188	PRO 492 006 0 Spring Brake Actuator	23	5001865404	PRO 124 703 2 Compact Cartridge	44
5010260213	PRO 006 003 0 Chassis Levelling Valve	57	7421267793	PRO 124 703 2 Compact Cartridge	44
5010260348	PRO 492 006 0 Spring Brake Actuator	23	7421602383	PRO 124 703 2 Compact Cartridge	44
5010260349	PRO 492 006 0 Spring Brake Actuator	23	5000243949	PRO 643 020 0 Proportional Relay Valve	98
5010260960	PRO 499 001 0 Spring Brake Actuator	23			
5010422332	PRO 032 001 0 Wheel Speed Sensor	92	<b>Ritec</b>		
5010422334	PRO 032 003 0 Wheel Speed Sensor	92	49800024700	PRO 714 016 0 Brake Chamber Cam	17
5010588270	PRO 011 000 0 Relay Valve	83	49800024800	PRO 714 015 0 Brake Chamber Cam	16
5010604322	PRO 032 000 0 Wheel Speed Sensor	92	49800024900	PRO 714 000 0 Brake Chamber Cam	14
5010848607	340 175 000 2 Brake Pads	31	49800025000	PRO 714 007 0 Brake Chamber Cam	15
5021170121	PRO 032 000 0 Wheel Speed Sensor	92			
5021170122	PRO 032 000 0 Wheel Speed Sensor	92	<b>Rockwell</b>		
5021170123	PRO 032 001 0 Wheel Speed Sensor	92	15227419T	340 902 003 2 Brake Pads	33
5021170124	PRO 032 009 0 Wheel Speed Sensor	93	68324558N2P	340 902 003 2 Brake Pads	33
5021170189	PRO 007 001 0 Cabin Levelling Valve	59			
5021170191	PRO 007 010 0 Cabin Levelling Valve	59	<b>RODOTÉCNICA</b>		
5021170206	PRO 015 005 0 Pressure Limiting Valve	50	112282	PRO 648 000 0 Park Release Emergency Valve	80
5021170423	PRO 527 001 0 Trailer Release Valve	87			
5021170905	PRO 934 005 0 Multiple Circuit Protection Valve	45	<b>ROLFO</b>		
5021171136	PRO 100 100 0 Air Processing Unit	41	112319	PRO 601 066 0 Shock Absorber	61
5021175244	PRO 100 100 0 Air Processing Unit	41	112320	PRO 601 074 0 Shock Absorber	62
5021208761	PRO 648 001 0 Relay Emergency Valve	85			
5021208823	PRO 648 002 0 Relay Emergency Valve	85	<b>Rosenbauer</b>		
68321585	340 902 192 2 Brake Pads	33	542529	PRO 480 010 0 Spring Brake Actuator	22
7420522028	PRO 481 050 0 Spring Brake Actuator	22	542530	PRO 480 010 0 Spring Brake Actuator	22
7420522029	PRO 481 050 0 Spring Brake Actuator	22			
7420533196	PRO 491 001 0 Spring Brake Actuator	22	<b>ROSSETTI</b>		
7420533199	PRO 491 001 0 Spring Brake Actuator	22	700840185	PRO 648 000 0 Park Release Emergency Valve	80
7420533213	PRO 481 050 0 Spring Brake Actuator	22	700840230	PRO 648 000 0 Park Release Emergency Valve	79
7420560415	340 902 191 2 Brake Pads	33			



Ref. No	ProVia number / product	Page	Ref. No	ProVia number / product	Page
<b>S&amp;S</b>			1010155	PRO 714 007 0 Brake Chamber Cam .....	15
S-13728	PRO 122 019 0 Air Dryer .....	37	1383956	PRO 412 001 0 ECAS Solenoid Valve .....	103
			1421186	PRO 411 300 0 Clutch servo .....	67
<b>SAE-SMB</b>			1446059	PRO 492 005 0 Spring Brake Actuator .....	23
9291063	340 903 220 2 Brake Pads .....	33	1448082	PRO 412 031 0 ECAS Distance sensor .....	110
M100669	340 901 070 2 Brake Pads .....	32	1454590	PRO 411 300 0 Clutch servo .....	67
M91002704	340 903 220 2 Brake Pads .....	33	1513717	PRO 411 300 0 Clutch servo .....	67
M91004501	340 901 070 2 Brake Pads .....	32	1523399	PRO 411 031 0 Clutch servo .....	67
			1734797	PRO 492 005 0 Spring Brake Actuator .....	23
<b>SAF</b>			1738452	PRO 537 030 0 ABS Extension Cable .....	95
4425013400	PRO 006 001 0 Chassis Levelling Valve .....	57	1738453	PRO 537 100 0 ABS Extension Cable .....	96
4454103900	PRO 714 007 0 Brake Chamber Cam .....	15	1738468	PRO 648 000 0 Park Release Emergency Valve .....	79
4454112600	PRO 714 015 0 Brake Chamber Cam .....	16	1738479	PRO 714 015 0 Brake Chamber Cam .....	16
4454112900	PRO 714 000 0 Brake Chamber Cam .....	14	1738480	PRO 714 000 0 Brake Chamber Cam .....	14
5400012800	PRO 537 051 0 ABS Extension Cable .....	96	1738481	PRO 714 007 0 Brake Chamber Cam .....	15
04425010400	PRO 006 003 0 Chassis Levelling Valve .....	57	1784480	PRO 411 031 0 Clutch servo .....	67
3057007700	340 901 070 2 Brake Pads .....	32	1784591	PRO 537 051 0 ABS Extension Cable .....	96
3057007701	340 901 070 2 Brake Pads .....	32	1784592	PRO 537 080 0 ABS Extension Cable .....	96
3057007800	340 901 060 2 Brake Pads .....	31	1788951	PRO 537 023 0 ABS Extension Cable .....	95
3057007801	340 901 060 2 Brake Pads .....	31	1882111	PRO 645 010 0 Hand Brake Valve .....	75
3057007900	340 901 070 2 Brake Pads .....	32	1912301	PRO 714 016 0 Brake Chamber Cam .....	17
3057008000	340 195 000 2 Brake Pads .....	31	1912312	PRO 537 018 0 ABS Extension Cable .....	94
3057008001	340 195 000 2 Brake Pads .....	31	1912313	PRO 537 038 0 ABS Extension Cable .....	95
3057008400	340 225 000 2 Brake Pads .....	31	1927825	PRO 411 031 0 Clutch servo .....	67
3057008401	340 225 000 2 Brake Pads .....	31	1934585	PRO 412 031 0 ECAS Distance sensor .....	110
3057008500	340 901 073 2 Brake Pads .....	32	1934586	PRO 412 032 0 ECAS Distance sensor .....	110
3057008501	340 901 073 2 Brake Pads .....	32	1934983	PRO 412 001 0 ECAS Solenoid Valve .....	103
3057317900	340 903 220 2 Brake Pads .....	33	1934984	PRO 412 002 0 ECAS Solenoid Valve .....	104
4 454 1072 30	PRO 712 712 0 DDSB Disc .....	28	1934990	PRO 412 001 0 ECAS Solenoid Valve .....	103
4 454 1076 30	PRO 712 712 0 DDSB Disc .....	28	1934991	PRO 412 002 0 ECAS Solenoid Valve .....	104
4 454 1078 30	PRO 712 713 0 DDSB Disc .....	28	1934994	PRO 412 001 0 ECAS Solenoid Valve .....	103
4 454 1079 30	PRO 712 713 0 DDSB Disc .....	28	1935021	PRO 643 001 0 Pressure Limiting Valve .....	50
5317002300	340 901 070 2 Brake Pads .....	32	1935025	PRO 643 037 0 Pressure Limiting Valve .....	50
5317002400	340 901 060 2 Brake Pads .....	31	1935564	PRO 645 008 0 Hand Brake Valve .....	75
2376001001	PRO 601 069 0 Shock Absorber .....	62	1935570	PRO 645 003 0 Hand Brake Valve .....	75
2376001002	PRO 601 069 0 Shock Absorber .....	62	1935576	PRO 645 002 0 Hand Brake Valve .....	75
2376001400	PRO 601 069 0 Shock Absorber .....	62	1935599	PRO 051 002 0 Clutch servo .....	67
2376001500	PRO 601 069 0 Shock Absorber .....	62	1935601	PRO 051 004 0 Clutch servo .....	67
2376001800	PRO 601 069 0 Shock Absorber .....	62	1935602	PRO 051 006 0 Clutch servo .....	67
2376001900	PRO 601 073 0 Shock Absorber .....	62	1935608	PRO 051 008 0 Clutch servo .....	67
2376002700	PRO 601 074 0 Shock Absorber .....	62	1935609	PRO 051 003 0 Clutch servo .....	67
			1935645	PRO 643 000 0 Relay Valve .....	83
<b>Samro</b>			2089923	PRO 648 000 0 Park Release Emergency Valve .....	80
401041	PRO 714 000 0 Brake Chamber Cam .....	14	2089925	PRO 648 000 0 Park Release Emergency Valve .....	80
4000022	PRO 714 000 0 Brake Chamber Cam .....	14	2089928	PRO 648 000 0 Park Release Emergency Valve .....	79
4000023	PRO 714 007 0 Brake Chamber Cam .....	15	2090240	PRO 643 003 0 Relay Valve .....	83
4000009	PRO 527 001 0 Trailer Release Valve .....	87	2090276	PRO 643 307 0 Pressure Limiting Valve .....	50
4000227	PRO 527 004 0 Trailer Release Valve .....	87	2091317	PRO 643 307 0 Pressure Limiting Valve .....	50
4000721	PRO 006 001 0 Chassis Levelling Valve .....	57	2091318	PRO 537 060 0 ABS Extension Cable .....	96
4000932	PRO 006 003 0 Chassis Levelling Valve .....	57	2093357	PRO 417 034 0 Cabin Levelling Valve .....	59
4001059	PRO 527 006 0 Trailer Release Valve .....	87	2205623	PRO 643 083 0 Pressure Limiting Valve .....	50
4001199	PRO 527 005 0 Trailer Release Valve .....	87	2555088	PRO 411 031 0 Clutch servo .....	67
4001483	PRO 006 002 0 Chassis Levelling Valve .....	57	1313803	PRO 430 001 0 Spring Brake Actuator .....	21
			1313813	PRO 430 001 0 Spring Brake Actuator .....	21
<b>Sanwa Seiki</b>			1313819	PRO 431 001 0 Spring Brake Actuator .....	21
1571020002	PRO 934 005 0 Multiple Circuit Protection Valve .....	45	1313821	PRO 431 001 0 Spring Brake Actuator .....	21
			1313822	PRO 431 001 0 Spring Brake Actuator .....	21
<b>SAUER-WERKZEUG</b>			1313823	PRO 432 001 0 Spring Brake Actuator .....	21
4454103900	PRO 714 007 0 Brake Chamber Cam .....	15	1313829	PRO 430 001 0 Spring Brake Actuator .....	21
			1313830	PRO 430 001 0 Spring Brake Actuator .....	21
<b>Scania</b>			1313871	PRO 011 004 0 Relay Valve .....	83
1010153	PRO 714 016 0 Brake Chamber Cam .....	17	1322986	PRO 011 004 0 Relay Valve .....	83
1010154	PRO 714 000 0 Brake Chamber Cam .....	14	1367493	PRO 432 001 0 Spring Brake Actuator .....	21

Ref. No	ProVia number / product	Page	Ref. No	ProVia number / product	Page
1372909	PRO 431 001 0 Spring Brake Actuator .....	21	1935516	PRO 122 003 0 Quadruple Circuit Protection Valve .....	47
1372910	PRO 431 001 0 Spring Brake Actuator .....	21	1935646	PRO 011 003 0 Relay Valve .....	83
1372911	PRO 431 001 0 Spring Brake Actuator .....	21	1935660	PRO 011 002 0 Relay Valve .....	83
1381883	PRO 122 003 0 Quadruple Circuit Protection Valve .....	47	1935666	PRO 011 001 0 Relay Valve .....	83
1390428	340 901 070 2 Brake Pads .....	32	1935668	PRO 011 000 0 Relay Valve .....	83
1411244	PRO 011 005 0 Relay Valve .....	83	2079867	PRO 461 101 0 Spring Brake Actuator .....	21
1412859	PRO 431 001 0 Spring Brake Actuator .....	21	2089719	PRO 421 002 0 Spring Brake Actuator .....	21
1412860	PRO 431 001 0 Spring Brake Actuator .....	21	2089913	PRO 032 220 0 Rotary Slide Valve .....	63
1431049	PRO 122 003 0 Quadruple Circuit Protection Valve .....	47	2090021	PRO 032 000 0 Wheel Speed Sensor .....	92
1446036	PRO 430 001 0 Spring Brake Actuator .....	21	2090022	PRO 032 003 0 Wheel Speed Sensor .....	92
1446037	PRO 430 001 0 Spring Brake Actuator .....	21	2090023	PRO 032 000 0 Wheel Speed Sensor .....	92
1446038	PRO 430 001 0 Spring Brake Actuator .....	21	2090024	PRO 032 010 0 Wheel Speed Sensor .....	93
1446039	PRO 430 001 0 Spring Brake Actuator .....	21	2090079	PRO 648 003 0 Relay Emergency Valve .....	85
1446040	PRO 430 001 0 Spring Brake Actuator .....	21	2090081	PRO 648 004 0 Relay Emergency Valve .....	85
1446042	PRO 431 001 0 Spring Brake Actuator .....	21	2090235	PRO 011 004 0 Relay Valve .....	83
1446043	PRO 431 001 0 Spring Brake Actuator .....	21	2090236	PRO 011 006 0 Relay Valve .....	83
1446048	PRO 431 001 0 Spring Brake Actuator .....	21	2090237	PRO 011 004 0 Relay Valve .....	83
1446049	PRO 431 001 0 Spring Brake Actuator .....	21	2090238	PRO 011 007 0 Relay Valve .....	83
1446050	PRO 431 001 0 Spring Brake Actuator .....	21	2090239	PRO 011 007 0 Relay Valve .....	83
1446052	PRO 421 004 0 Spring Brake Actuator .....	21	2090272	PRO 010 302 0 Pressure Limiting Valve .....	49
1446056	PRO 432 001 0 Spring Brake Actuator .....	21	2099046	PRO 412 030 0 ECAS Distance sensor .....	110
1495828	PRO 412 030 0 ECAS Distance sensor .....	110	2131071	PRO 011 005 0 Relay Valve .....	83
1505333	PRO 430 001 0 Spring Brake Actuator .....	21	2131116	PRO 480 010 0 Spring Brake Actuator .....	22
1505334	PRO 431 001 0 Spring Brake Actuator .....	21	2149659	PRO 032 000 0 Wheel Speed Sensor .....	92
1505335	PRO 431 001 0 Spring Brake Actuator .....	21	2385751	PRO 432 001 0 Spring Brake Actuator .....	21
1505336	PRO 431 001 0 Spring Brake Actuator .....	21	570823	PRO 430 001 0 Spring Brake Actuator .....	21
1505338	PRO 432 001 0 Spring Brake Actuator .....	21	570830	PRO 430 001 0 Spring Brake Actuator .....	21
1521979	340 901 070 2 Brake Pads .....	32	570834	PRO 431 001 0 Spring Brake Actuator .....	21
1527633	340 901 070 2 Brake Pads .....	32	570835	PRO 431 001 0 Spring Brake Actuator .....	21
1734529	340 901 070 2 Brake Pads .....	32	570844	PRO 431 001 0 Spring Brake Actuator .....	21
1734796	PRO 431 001 0 Spring Brake Actuator .....	21	570845	PRO 431 001 0 Spring Brake Actuator .....	21
1740206	PRO 430 001 0 Spring Brake Actuator .....	21	571145	PRO 430 001 0 Spring Brake Actuator .....	21
1892051	PRO 032 005 0 Wheel Speed Sensor .....	93	571775	PRO 430 001 0 Spring Brake Actuator .....	21
1892053	PRO 032 006 0 Wheel Speed Sensor .....	93	571776	PRO 430 001 0 Spring Brake Actuator .....	21
1892057	PRO 032 012 0 Wheel Speed Sensor .....	93	571777	PRO 430 001 0 Spring Brake Actuator .....	21
1892058	PRO 032 013 0 Wheel Speed Sensor .....	93	571778	PRO 431 001 0 Spring Brake Actuator .....	21
1903631	PRO 431 001 0 Spring Brake Actuator .....	21	571784	PRO 431 001 0 Spring Brake Actuator .....	21
1912351	PRO 648 002 0 Relay Emergency Valve .....	85	571788	PRO 431 001 0 Spring Brake Actuator .....	21
1932680	PRO 410 003 0 Air Dryer .....	38	571789	PRO 432 001 0 Spring Brake Actuator .....	21
1934568	PRO 032 000 0 Wheel Speed Sensor .....	92	725857	340 903 220 2 Brake Pads .....	33
1934569	PRO 032 001 0 Wheel Speed Sensor .....	92	8500253	PRO 461 101 0 Spring Brake Actuator .....	21
1934570	PRO 032 000 0 Wheel Speed Sensor .....	92	SP1037105	PRO 124 000 2 Compact Cartridge .....	44
1934584	PRO 412 030 0 ECAS Distance sensor .....	110	1774598	PRO 124 702 2 Compact Cartridge .....	44
1934915	PRO 032 120 0 Rotary Slide Valve .....	63	1932720	PRO 124 702 2 Compact Cartridge .....	44
1934938	PRO 007 001 0 Cabin Levelling Valve .....	59	2562323	PRO 124 702 2 Compact Cartridge .....	44
1934939	PRO 007 010 0 Cabin Levelling Valve .....	59	2131090	PRO 124 703 2 Compact Cartridge .....	44
1935018	PRO 010 301 0 Pressure Limiting Valve .....	49	2131091	PRO 124 704 2 Compact Cartridge .....	44
1935023	PRO 015 004 0 Pressure Limiting Valve .....	50	1932701	PRO 122 400 0 Electrically Controlled Air Dryer .....	40
1935024	PRO 015 005 0 Pressure Limiting Valve .....	50	1370093	PRO 600 321 0 Shock Absorber .....	61
1935026	PRO 015 072 0 Pressure Limiting Valve .....	50	1380425	PRO 600 321 0 Shock Absorber .....	61
1935401	PRO 421 002 0 Spring Brake Actuator .....	21	1380427	PRO 600 321 0 Shock Absorber .....	61
1935403	PRO 492 006 0 Spring Brake Actuator .....	23	1397523	PRO 600 321 0 Shock Absorber .....	61
1935409	PRO 430 001 0 Spring Brake Actuator .....	21	1478507	PRO 600 321 0 Shock Absorber .....	61
1935410	PRO 430 001 0 Spring Brake Actuator .....	21	1478509	PRO 600 321 0 Shock Absorber .....	61
1935411	PRO 431 001 0 Spring Brake Actuator .....	21	1519631	PRO 600 321 0 Shock Absorber .....	61
1935413	PRO 491 001 0 Spring Brake Actuator .....	22	1519633	PRO 600 321 0 Shock Absorber .....	61
1935448	PRO 492 006 0 Spring Brake Actuator .....	23	1012045	PRO 600 323 0 Shock Absorber .....	61
1935452	PRO 461 101 0 Spring Brake Actuator .....	21	1110588	PRO 600 323 0 Shock Absorber .....	61
1935462	PRO 481 050 0 Spring Brake Actuator .....	22	1110589	PRO 600 323 0 Shock Absorber .....	61
1935471	PRO 421 002 0 Spring Brake Actuator .....	21	1356723	PRO 600 323 0 Shock Absorber .....	61
1935483	PRO 100 100 0 Air Processing Unit .....	41	216976	PRO 600 323 0 Shock Absorber .....	61
1935509	PRO 934 005 0 Multiple Circuit Protection Valve .....	45	307055	PRO 600 323 0 Shock Absorber .....	61
1935510	PRO 934 005 0 Multiple Circuit Protection Valve .....	45	395063	PRO 600 323 0 Shock Absorber .....	61
			1788962	PRO 036 001 0 Directional Control Valve .....	77

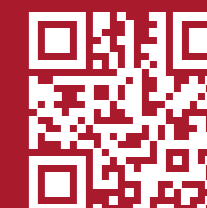
Ref. No	ProVia number / product	Page	Ref. No	ProVia number / product	Page
1935135	PRO 643 101 0 Proportional Relay Valve	98	8283884000	PRO 648 003 0 Relay Emergency Valve	85
1935137	PRO 643 102 0 Proportional Relay Valve	98	INS0120079	PRO 648 000 0 Park Release Emergency Valve	79
2090234	PRO 643 020 0 Proportional Relay Valve	98	INS033-0018	PRO 412 002 0 ECAS Solenoid Valve	104
<b>Schmitz</b>			INS0120079	PRO 648 000 0 Park Release Emergency Valve	80
51007	PRO 714 016 0 Brake Chamber Cam	17	S051368	PRO 537 051 0 ABS Extension Cable	96
51009	PRO 714 015 0 Brake Chamber Cam	16	S051276	PRO 537 038 0 ABS Extension Cable	95
51012	PRO 714 000 0 Brake Chamber Cam	14	S052144	PRO 537 100 0 ABS Extension Cable	96
51017	PRO 714 007 0 Brake Chamber Cam	15	T2004493	PRO 537 030 0 ABS Extension Cable	95
1020753	PRO 714 015 0 Brake Chamber Cam	16	16436	PRO 601 069 0 Shock Absorber	62
1232785	PRO 714 007 0 Brake Chamber Cam	15	902398	PRO 601 069 0 Shock Absorber	62
4231049000	PRO 714 016 0 Brake Chamber Cam	17	912398	PRO 601 069 0 Shock Absorber	62
4231059000	PRO 714 015 0 Brake Chamber Cam	16	912637	PRO 601 069 0 Shock Absorber	62
4231069000	PRO 714 000 0 Brake Chamber Cam	14	20044	PRO 601 070 0 Shock Absorber	62
4231079000	PRO 714 007 0 Brake Chamber Cam	15	28363	PRO 601 070 0 Shock Absorber	62
82830500000	PRO 714 007 0 Brake Chamber Cam	15	<b>Schwarz Müller</b>		
1BREMSE0091	PRO 714 007 0 Brake Chamber Cam	15	3551	PRO 714 015 0 Brake Chamber Cam	16
<b>Schmitz Cargobull</b>			3552	PRO 714 000 0 Brake Chamber Cam	14
51213	PRO 537 018 0 ABS Extension Cable	94	3553	PRO 714 007 0 Brake Chamber Cam	15
51214	PRO 537 038 0 ABS Extension Cable	95	33684	PRO 537 038 0 ABS Extension Cable	95
51276	PRO 537 023 0 ABS Extension Cable	95	33862	PRO 537 100 0 ABS Extension Cable	96
51276	PRO 537 030 0 ABS Extension Cable	95	33869	PRO 537 051 0 ABS Extension Cable	96
51368	PRO 537 051 0 ABS Extension Cable	96	34254	PRO 537 030 0 ABS Extension Cable	95
52144	PRO 537 100 0 ABS Extension Cable	96	35268	PRO 537 080 0 ABS Extension Cable	96
53996	PRO 537 023 0 ABS Extension Cable	95	36833	PRO 412 001 0 ECAS Solenoid Valve	103
57016	PRO 648 000 0 Park Release Emergency Valve	80	38091	PRO 412 002 0 ECAS Solenoid Valve	104
122760	PRO 712 712 0 DDSB Disc	28	60950	PRO 648 000 0 Park Release Emergency Valve	79
1023612	PRO 412 001 0 ECAS Solenoid Valve	103	83636	PRO 648 000 0 Park Release Emergency Valve	79
1043606	PRO 648 000 0 Park Release Emergency Valve	80	93651	PRO 412 002 0 ECAS Solenoid Valve	104
1060744	PRO 648 000 0 Park Release Emergency Valve	79	21884	PRO 006 003 0 Chassis Levelling Valve	57
1066451	PRO 412 002 0 ECAS Solenoid Valve	104	23740	PRO 527 002 0 Trailer Release Valve	87
4497120230	PRO 537 023 0 ABS Extension Cable	94	27475	PRO 006 001 0 Chassis Levelling Valve	57
4497120380	PRO 537 038 0 ABS Extension Cable	95	32939	PRO 648 003 0 Relay Emergency Valve	85
4497120510	PRO 537 051 0 ABS Extension Cable	95	36006	PRO 527 005 0 Trailer Release Valve	87
7176020000	PRO 537 018 0 ABS Extension Cable	94	4629	PRO 527 001 0 Trailer Release Valve	87
7176022000	PRO 537 038 0 ABS Extension Cable	95	54789	PRO 648 002 0 Relay Emergency Valve	85
7176023000	PRO 537 051 0 ABS Extension Cable	95	7241	PRO 648 001 0 Relay Emergency Valve	85
7788085000	PRO 537 038 0 ABS Extension Cable	95	86425	PRO 006 004 0 Chassis Levelling Valve	57
7788086000	PRO 537 051 0 ABS Extension Cable	95	86461	PRO 412 030 0 ECAS Distance sensor	110
8283021000	PRO 648 000 0 Park Release Emergency Valve	79	9141	PRO 527 004 0 Trailer Release Valve	87
050304	PRO 527 001 0 Trailer Release Valve	87	93184	PRO 124 702 2 Compact Cartridge	44
050637	PRO 006 001 0 Chassis Levelling Valve	57	237025200	PRO 601 066 0 Shock Absorber	61
052190	PRO 527 005 0 Trailer Release Valve	87	96643	PRO 643 101 0 Proportional Relay Valve	98
052540	PRO 412 002 0 ECAS Solenoid Valve	104	<b>SEDDON ATKINSON</b>		
053010	PRO 527 004 0 Trailer Release Valve	87	3345107R1	PRO 714 015 0 Brake Chamber Cam	16
055634	PRO 006 003 0 Chassis Levelling Valve	57	3345108R1	PRO 714 000 0 Brake Chamber Cam	14
101449	340 225 000 2 Brake Pads	31	<b>SERGOMEL</b>		
1020765	PRO 421 002 0 Spring Brake Actuator	21	24252	PRO 648 000 0 Park Release Emergency Valve	79
1020766	PRO 421 002 0 Spring Brake Actuator	21	<b>Setra</b>		
1042995	PRO 648 002 0 Relay Emergency Valve	85	8285388435	340 902 002 2 Brake Pads	33
1055349	PRO 412 030 0 ECAS Distance sensor	110	8285438000	PRO 011 004 0 Relay Valve	83
1060742	PRO 527 005 0 Trailer Release Valve	87	<b>SHAANXI</b>		
1060752	PRO 648 004 0 Relay Emergency Valve	85	6180J-3629112	PRO 412 006 0 ECAS Solenoid Valve	104
1103985	PRO 006 001 0 Chassis Levelling Valve	57	DZ95259364001	PRO 643 102 0 Proportional Relay Valve	98
1118421	PRO 006 004 0 Chassis Levelling Valve	57	<b>Shandong Auto</b>		
114017	PRO 527 006 0 Trailer Release Valve	87	EZ9A069361005	PRO 122 017 0 Air Processing Unit	41
1182462	340 901 070 2 Brake Pads	32			
1195232	340 225 000 2 Brake Pads	31			
1BREMSE0201	PRO 537 040 0 ABS Extension Cable	95			
50309	PRO 527 002 0 Trailer Release Valve	87			
52504	PRO 648 001 0 Relay Emergency Valve	85			
53355	PRO 648 003 0 Relay Emergency Valve	85			

Ref. No	ProVia number / product	Page	Ref. No	ProVia number / product	Page
<b>Shanqi</b>			<b>Terex-Demag</b>		
DZ9100360080	PRO 31 500 7 Foot Brake Valve	73	32413640	PRO 527 004 0 Trailer Release Valve	87
<b>Shenlong</b>			96924700	PRO 714 007 0 Brake Chamber Cam	15
135000500005	PRO 122 020 0 Air Dryer	37	96926300	PRO 714 000 0 Brake Chamber Cam	14
<b>SHOWA AIRCRAFT</b>			19920112	PRO 461 101 0 Spring Brake Actuator	21
A8188-003500	PRO 537 018 0 ABS Extension Cable	94	<b>Tirsan</b>		
A8188-012300	PRO 537 030 0 ABS Extension Cable	95	21145210032	PRO 412 002 0 ECAS Solenoid Valve	104
<b>Solaris</b>			21150110007	PRO 537 030 0 ABS Extension Cable	95
720387939	PRO 032 003 0 Wheel Speed Sensor	92	21150110009	PRO 537 100 0 ABS Extension Cable	96
1021400501	PRO 032 010 0 Wheel Speed Sensor	92	21150110010	PRO 537 051 0 ABS Extension Cable	96
1021402002	PRO 412 001 0 ECAS Solenoid Valve	103	21150110011	PRO 537 038 0 ABS Extension Cable	95
1102408340	PRO 645 002 0 Hand Brake Valve	75	21150110028	PRO 412 002 0 ECAS Solenoid Valve	104
1102905320	PRO 537 023 0 ABS Extension Cable	95	21150110041	PRO 537 023 0 ABS Extension Cable	94
1102734000	PRO 410 003 0 Air Dryer	38	21151103199	PRO 648 000 0 Park Release Emergency Valve	79
1102905340	PRO 032 000 0 Wheel Speed Sensor	92	21151105025	PRO 714 000 0 Brake Chamber Cam	14
920100080	PRO 032 011 0 Wheel Speed Sensor	93	21151105030	PRO 714 007 0 Brake Chamber Cam	15
1102304000	PRO 643 101 0 Proportional Relay Valve	98	21150110046	PRO 648 002 0 Relay Emergency Valve	85
<b>SORL</b>			21151103133	PRO 032 120 0 Rotary Slide Valve	63
RL3511ES	PRO 122 019 0 Air Dryer	37	21151103150	PRO 006 003 0 Chassis Levelling Valve	57
<b>SQ</b>			21151103152	PRO 412 030 0 ECAS Distance sensor	110
DZ9112230166	PRO 411 022 0 Clutch servo	67	21151103260	PRO 527 005 0 Trailer Release Valve	87
DZ9112230178	PRO 411 024 0 Clutch servo	67	<b>TOHO CAR</b>		
DZ9112230181	PRO 411 020 0 Clutch servo	67	T42-106	PRO 714 007 0 Brake Chamber Cam	15
<b>STEYR</b>			<b>TRAILOR</b>		
99000360485	PRO 714 015 0 Brake Chamber Cam	16	1526855	PRO 601 068 0 Shock Absorber	62
81437016620	PRO 600 322 0 Shock Absorber	61	7000057L	PRO 601 068 0 Shock Absorber	62
81437016634	PRO 600 322 0 Shock Absorber	61	M001537	PRO 601 068 0 Shock Absorber	62
8143701679	PRO 600 325 0 Shock Absorber	61	UJB0565	PRO 601 068 0 Shock Absorber	62
<b>Sunwin</b>			2376001800	PRO 601 069 0 Shock Absorber	62
SWB563050137	PRO 122 021 0 Air Dryer	37	6504638G	PRO 601 069 0 Shock Absorber	62
SWB563050199	PRO 122 020 0 Air Dryer	37	6506636B	PRO 601 069 0 Shock Absorber	62
<b>SXQC</b>			<b>Trolley Boats LLC</b>		
81436106129	PRO 007 001 0 Cabin Levelling Valve	59	4497121000	PRO 537 100 0 ABS Extension Cable	96
<b>Tata Daewoo</b>			<b>UD TRUCKS</b>		
3879500610	PRO 032 003 0 Wheel Speed Sensor	92	44320NA03A	PRO 492 002 0 Spring Brake Actuator	23
Z442145010087	PRO 315 008 0 Foot Brake Valve	73	44320NA03B	PRO 492 002 0 Spring Brake Actuator	23
<b>Tatra</b>			53810D9400	PRO 006 003 0 Chassis Levelling Valve	57
4750103250	PRO 643 325 0 Pressure Limiting Valve	50	47500NA04B	PRO 122 400 0 Electrically Controlled Air Dryer	40
4750103010	PRO 010 301 0 Pressure Limiting Valve	49	<b>Utility Trailer</b>		
<b>Tectran</b>			4497120180	PRO 537 018 0 ABS Extension Cable	94
AT955205	PRO 122 019 0 Air Dryer	37	<b>VAN HOOL</b>		
<b>Terberg Benschop</b>			10522033	PRO 537 030 0 ABS Extension Cable	95
33185	PRO 481 050 0 Spring Brake Actuator	22	10544069	PRO 537 038 0 ABS Extension Cable	95
V1573854	PRO 421 002 0 Spring Brake Actuator	21	10545601	PRO 537 051 0 ABS Extension Cable	96
V21596226	PRO 481 050 0 Spring Brake Actuator	22	10574059	PRO 537 100 0 ABS Extension Cable	96
V21596227	PRO 481 050 0 Spring Brake Actuator	22	10709118	PRO 051 006 0 Clutch servo	67
<b>TEREX</b>			10730817	PRO 051 004 0 Clutch servo	67
2153412	PRO 537 038 0 ABS Extension Cable	95	10950969	PRO 648 000 0 Park Release Emergency Valve	79
			637207570	PRO 714 016 0 Brake Chamber Cam	17
			637211400	PRO 643 500 0 Pressure Limiting Valve	50
			10505355	PRO 006 003 0 Chassis Levelling Valve	57
			10536639	PRO 648 001 0 Relay Emergency Valve	85
			10740689	PRO 122 003 0 Quadruple Circuit Protection Valve	47
			10868345	PRO 648 002 0 Relay Emergency Valve	85
			637209540	PRO 527 001 0 Trailer Release Valve	87
			637213050	PRO 006 001 0 Chassis Levelling Valve	57

Ref. No	ProVia number / product	Page	Ref. No	ProVia number / product	Page
920924011	PRO 643 101 0 Proportional Relay Valve	98	20522028	PRO 481 050 0 Spring Brake Actuator	22
<b>VDL</b>			20522029	PRO 481 050 0 Spring Brake Actuator	22
20279117	PRO 537 018 0 ABS Extension Cable	94	20522030	PRO 481 050 0 Spring Brake Actuator	22
41156003	PRO 537 018 0 ABS Extension Cable	94	20522031	PRO 481 050 0 Spring Brake Actuator	22
41156004	PRO 537 023 0 ABS Extension Cable	95	20526568	340 902 221 2 Brake Pads	33
20297660	PRO 643 101 0 Proportional Relay Valve	98	20531967	PRO 007 003 0 Cabin Levelling Valve	59
759010011	PRO 643 101 0 Proportional Relay Valve	98	20533195	PRO 491 001 0 Spring Brake Actuator	22
41448019	PRO 643 102 0 Proportional Relay Valve	98	20533196	PRO 491 001 0 Spring Brake Actuator	22
30157175	PRO 122 400 0 Electrically Controlled Air Dryer	40	20533197	PRO 491 001 0 Spring Brake Actuator	22
<b>VDL Bus</b>			20533198	PRO 491 001 0 Spring Brake Actuator	22
262643	PRO 412 030 0 ECAS Distance sensor	110	20533199	PRO 491 001 0 Spring Brake Actuator	22
2026243	PRO 412 030 0 ECAS Distance sensor	110	20533200	PRO 491 001 0 Spring Brake Actuator	22
9116823	PRO 412 002 0 ECAS Solenoid Valve	104	20533210	PRO 499 001 0 Spring Brake Actuator	23
20223066	PRO 714 000 0 Brake Chamber Cam	14	20533211	PRO 499 001 0 Spring Brake Actuator	23
30011287	PRO 643 003 0 Relay Valve	83	20560412	340 902 221 2 Brake Pads	33
41150130	PRO 412 006 0 ECAS Solenoid Valve	104	20560414	340 902 220 2 Brake Pads	33
41343254	PRO 412 001 0 ECAS Solenoid Valve	103	20568711	340 902 221 2 Brake Pads	33
759000174	PRO 412 006 0 ECAS Solenoid Valve	104	20568712	340 902 220 2 Brake Pads	33
759000177	PRO 412 001 0 ECAS Solenoid Valve	103	20568713	340 902 191 2 Brake Pads	33
759000181	PRO 412 030 0 ECAS Distance sensor	110	20568714	340 902 221 2 Brake Pads	33
28220102600	PRO 412 001 0 ECAS Solenoid Valve	103	20568715	340 902 220 2 Brake Pads	33
28210202900	PRO 122 003 0 Quadruple Circuit Protection Valve	47	20590781	PRO 011 007 0 Relay Valve	83
<b>VIE</b>			20701803	PRO 704 932 2 Compressor Cylinder Head	51
V955205	PRO 122 019 0 Air Dryer	37	20716313	PRO 122 004 0 Quadruple Circuit Protection Valve	47
<b>Volvo</b>			20721845	PRO 481 050 0 Spring Brake Actuator	22
3093242	PRO 537 018 0 ABS Extension Cable	94	20721846	PRO 481 050 0 Spring Brake Actuator	22
3095724	PRO 537 038 0 ABS Extension Cable	95	20721847	PRO 481 050 0 Spring Brake Actuator	22
6212188	PRO 714 000 0 Brake Chamber Cam	14	20733197	PRO 011 000 0 Relay Valve	83
6792610	PRO 645 008 0 Hand Brake Valve	75	20742392	PRO 481 050 0 Spring Brake Actuator	22
8065627	PRO 537 051 0 ABS Extension Cable	96	20742393	PRO 481 050 0 Spring Brake Actuator	22
20367533	PRO 645 000 0 Hand Brake Valve	75	20742394	PRO 481 050 0 Spring Brake Actuator	22
20367534	PRO 645 001 0 Hand Brake Valve	75	20746460	PRO 007 023 0 Cabin Levelling Valve	59
20533205	PRO 491 004 0 Spring Brake Actuator	23	20746465	PRO 007 007 0 Cabin Levelling Valve	59
20707211	PRO 412 001 0 ECAS Solenoid Valve	103	20755195	PRO 122 004 0 Quadruple Circuit Protection Valve	47
20707214	PRO 412 002 0 ECAS Solenoid Valve	104	20765963	340 902 191 2 Brake Pads	33
20734168	PRO 412 005 0 ECAS Solenoid Valve	104	20768092	340 902 000 2 Brake Pads	32
20986736	PRO 421 004 0 Spring Brake Actuator	21	20768101	340 902 223 2 Brake Pads	33
20986737	PRO 421 004 0 Spring Brake Actuator	21	20768115	340 902 222 2 Brake Pads	33
21304773	PRO 417 025 0 Cabin Levelling Valve	59	20825594	340 902 001 2 Brake Pads	33
11117866	PRO 011 004 0 Relay Valve	83	20844352	PRO 481 050 0 Spring Brake Actuator	22
1183403	PRO 410 003 0 Air Dryer	38	20844353	PRO 481 050 0 Spring Brake Actuator	22
1431049	PRO 122 003 0 Quadruple Circuit Protection Valve	47	20850194	340 902 001 2 Brake Pads	32
20382309	PRO 122 004 0 Quadruple Circuit Protection Valve	47	20918891	340 902 000 2 Brake Pads	32
20382310	PRO 122 002 0 Quadruple Circuit Protection Valve	47	20931343	340 902 000 2 Brake Pads	32
20382312	PRO 015 072 0 Pressure Limiting Valve	50	209313430	340 902 000 2 Brake Pads	32
20386381	PRO 461 101 0 Spring Brake Actuator	21	20932682	340 902 000 2 Brake Pads	32
20386416	PRO 461 101 0 Spring Brake Actuator	21	20976509	340 902 003 2 Brake Pads	33
20401590	PRO 461 101 0 Spring Brake Actuator	21	21011720	PRO 491 001 0 Spring Brake Actuator	22
20401591	PRO 461 101 0 Spring Brake Actuator	21	21011721	PRO 491 001 0 Spring Brake Actuator	22
20409105	PRO 461 101 0 Spring Brake Actuator	21	21011722	PRO 491 001 0 Spring Brake Actuator	22
20452151	PRO 122 004 0 Quadruple Circuit Protection Valve	47	21024701	340 902 221 2 Brake Pads	33
20452152	PRO 122 002 0 Quadruple Circuit Protection Valve	47	21024702	340 902 221 2 Brake Pads	33
20466070	PRO 461 101 0 Spring Brake Actuator	21	21027722	PRO 491 001 0 Spring Brake Actuator	22
20466071	PRO 461 101 0 Spring Brake Actuator	21	21027725	PRO 491 001 0 Spring Brake Actuator	22
20466072	PRO 461 101 0 Spring Brake Actuator	21	21027732	PRO 491 001 0 Spring Brake Actuator	22
20466073	PRO 461 101 0 Spring Brake Actuator	21	21027734	PRO 491 001 0 Spring Brake Actuator	22
20466209	PRO 432 001 0 Spring Brake Actuator	21	21076527	PRO 015 026 0 Pressure Limiting Valve	50
20509865	PRO 032 015 0 Wheel Speed Sensor	93	21225479	PRO 122 004 0 Quadruple Circuit Protection Valve	47
20509869	PRO 032 014 0 Wheel Speed Sensor	93	21283628	PRO 481 050 0 Spring Brake Actuator	22

Ref. No	ProVia number / product	Page	Ref. No	ProVia number / product	Page
21326199	PRO 481 050 0 Spring Brake Actuator	22	21326200	PRO 481 050 0 Spring Brake Actuator	22
21326203	PRO 481 050 0 Spring Brake Actuator	22	21326203	PRO 481 050 0 Spring Brake Actuator	22
21339179	PRO 015 072 0 Pressure Limiting Valve	50	21339181	PRO 015 073 0 Pressure Limiting Valve	50
21339181	PRO 015 073 0 Pressure Limiting Valve	50	21352570	340 902 221 2 Brake Pads	33
21352570	340 902 220 2 Brake Pads	33	21352573	340 902 220 2 Brake Pads	33
21361881	PRO 032 014 0 Wheel Speed Sensor	93	21361884	PRO 032 015 0 Wheel Speed Sensor	93
21361884	PRO 032 015 0 Wheel Speed Sensor	93	21361893	PRO 032 015 0 Wheel Speed Sensor	93
21361893	PRO 032 015 0 Wheel Speed Sensor	93	21423487	PRO 481 050 0 Spring Brake Actuator	22
21423487	PRO 481 050 0 Spring Brake Actuator	22	21444612	PRO 481 050 0 Spring Brake Actuator	22
21444612	PRO 481 050 0 Spring Brake Actuator	22	21496550	340 902 221 2 Brake Pads	33
21496550	340 902 221 2 Brake Pads	33	21496552	340 902 191 2 Brake Pads	33
21496552	340 902 191 2 Brake Pads	33	21569207	PRO 499 001 0 Spring Brake Actuator	23
21569207	PRO 499 001 0 Spring Brake Actuator	23	21569226	PRO 481 050 0 Spring Brake Actuator	22
21569226	PRO 481 050 0 Spring Brake Actuator	22	21596227	PRO 481 050 0 Spring Brake Actuator	22
21596227	PRO 481 050 0 Spring Brake Actuator	22	21752714	PRO 481 050 0 Spring Brake Actuator	22
21752714	PRO 481 050 0 Spring Brake Actuator	22	21752715	PRO 481 050 0 Spring Brake Actuator	22
21752715	PRO 481 050 0 Spring Brake Actuator	22	21760204	PRO 032 010 0 Wheel Speed Sensor	93
21760204	PRO 032 010 0 Wheel Speed Sensor	93	21794667	PRO 491 001 0 Spring Brake Actuator	22
21794667	PRO 491 001 0 Spring Brake Actuator	22	21795851	PRO 491 001 0 Spring Brake Actuator	22
21795851	PRO 491 001 0 Spring Brake Actuator	22	21811707	PRO 122 002 0 Quadruple Circuit Protection Valve	47
21811707	PRO 122 002 0 Quadruple Circuit Protection Valve	47	21869990	PRO 481 050 0 Spring Brake Actuator	22
21869990	PRO 481 050 0 Spring Brake Actuator	22	21988037	PRO 499 001 0 Spring Brake Actuator	23
21988037	PRO 499 001 0 Spring Brake Actuator	23	21988040	PRO 491 001 0 Spring Brake Actuator	22
21988040	PRO 491 001 0 Spring Brake Actuator	22	21994025	PRO 499 001 0 Spring Brake Actuator	23
21994025	PRO 499 001 0 Spring Brake Actuator	23	21994026	PRO 499 001 0 Spring Brake Actuator	23
21994026	PRO 499 001 0 Spring Brake Actuator	23	22067390	PRO 491 001 0 Spring Brake Actuator	22
22067390	PRO 491 001 0 Spring Brake Actuator	22	22067391	PRO 491 001 0 Spring Brake Actuator	22
22067391	PRO 491 001 0 Spring Brake Actuator	22	22080434	PRO 491 001 0 Spring Brake Actuator	22
22080434	PRO 491 001 0 Spring Brake Actuator	22	22080445	PRO 481 050 0 Spring Brake Actuator	22
22080445	PRO 481 050 0 Spring Brake Actuator	22	22080446	PRO 481 050 0 Spring Brake Actuator	22
22080446	PRO 481 050 0 Spring Brake Actuator	22	22152604	PRO 491 001 0 Spring Brake Actuator	22
22152604	PRO 491 001 0 Spring Brake Actuator	22	22273774	PRO 481 050 0 Spring Brake Actuator	22
22273774	PRO 481 050 0 Spring Brake Actuator	22	22273775	PRO 481 050 0 Spring Brake Actuator	22
22273775	PRO 481 050 0 Spring Brake Actuator	22	22303995	PRO 491 001 0 Spring Brake Actuator	22
22303995	PRO 491 001 0 Spring Brake Actuator	22	22303997	PRO 491 001 0 Spring Brake Actuator	22
22303997	PRO 491 001 0 Spring Brake Actuator	22	3093532	340 902 222 2 Brake Pads	33
3093532	340 902 222 2 Brake Pads	33	3093919	340 902 001 2 Brake Pads	32
3093919	340 902 001 2 Brake Pads	32	3095396	340 902 000 2 Brake Pads	32
3095396	340 902 000 2 Brake Pads	32	3099533	340 902 223 2 Brake Pads	33
3099533	340 902 223 2 Brake Pads	33	3173150	PRO 011 004 0 Relay Valve	83
3173150	PRO 011 004 0 Relay Valve	83	3197932	PRO 461 101 0 Spring Brake Actuator	21
3197932	PRO 461 101 0 Spring Brake Actuator	21	3197933	PRO 461 101 0 Spring Brake Actuator	21
3197933	PRO 461 101 0 Spring Brake Actuator	21	3198394	340 902 223 2 Brake Pads	33
3198394	340 902 223 2 Brake Pads	33	3987614	PRO 461 101 0 Spring Brake Actuator	21
3987614	PRO 461 101 0 Spring Brake Actuator	21	8113459	PRO 461 101 0 Spring Brake Actuator	21
8113459	PRO 461 101 0 Spring Brake Actuator	21	85000253	PRO 461 101 0 Spring Brake Actuator	22
85000253	PRO 461 101 0 Spring Brake Actuator	22	85000466	PRO 481 050 0 Spring Brake Actuator	22
85000466	PRO 481 050 0 Spring Brake Actuator	22	85000576	PRO 491 001 0 Spring Brake Actuator	22
85000576	PRO 491 001 0 Spring Brake Actuator	22	85000580	PRO 491 001 0 Spring Brake Actuator	22
85000580	PRO 491 001 0 Spring Brake Actuator	22	85000581	PRO 491 001 0 Spring Brake Actuator	22
85000581	PRO 491 001 0 Spring Brake Actuator	22	85000607	PRO 481 050 0 Spring Brake Actuator	22
85000607	PRO 481 050 0 Spring Brake Actuator	22	85000635	PRO 481 050 0 Spring Brake Actuator	22
85000635	PRO 481 050 0 Spring Brake Actuator	22	85003171	PRO 491 001 0 Spring Brake Actuator	22
85003171	PRO 491 001 0 Spring Brake Actuator	22	85003834	PRO 481 050 0 Spring Brake Actuator	22
85003834	PRO 481 050 0 Spring Brake Actuator	22	85105485	340 902 001 2 Brake Pads	32
85105485	340 902 001 2 Brake Pads	32	85107768	340 902 003 2 Brake Pads	33
85107768	340 902 003 2 Brake Pads	33	85506111	340 902 001 2 Brake Pads	32
85506111	340 902 001 2 Brake Pads	32	BBU5931	PRO 714 015 0 Brake Chamber Cam	16
BBU5931	PRO 714 015 0 Brake Chamber Cam	16	WA4231049000	PRO 714 016 0 Brake Chamber Cam	17
WA4231049000	PRO 714 016 0 Brake Chamber Cam	17	WA4231059000	PRO 714 015 0 Brake Chamber Cam	16
WA4231059000	PRO 714 015 0 Brake Chamber Cam	16	WA4231069000	PRO 714 000 0 Brake Chamber Cam	14
WA4231069000	PRO 714 000 0 Brake Chamber Cam	14	WA4231079000	PRO 714 007 0 Brake Chamber Cam	15
WA4231079000	PRO 714 007 0 Brake Chamber Cam	15	526031200000	PRO 714 015 0 Brake Chamber Cam	16
526031200000	PRO 714 015 0 Brake Chamber Cam	16	WA4410329050	PRO 032 009 0 Wheel Speed Sensor	93
WA4410329050	PRO 032 009 0 Wheel Speed Sensor	93	WA4410501000	PRO 412 030 0 ECAS Distance sensor	110
WA4410501000	PRO 412 030 0 ECAS Distance sensor	110	WA4497120180	PRO 537 018 0 ABS Extension Cable	94
WA4497120180	PRO 537 018 0 ABS Extension Cable	94	WA4497120230	PRO 537 023 0 ABS Extension Cable	95
WA4497120230	PRO 537 023 0 ABS Extension Cable	95	WA4497120300	PRO 537 030 0 ABS Extension Cable	95
WA4497120300	PRO 537 030 0 ABS Extension Cable	95	WA4497120400	PRO 537 040 0 ABS Extension Cable	95
WA4497120400	PRO 537 040 0 ABS Extension Cable	95	WA4497120600	PRO 537 060 0 ABS Extension Cable	96
WA4497120600	PRO 537 060 0 ABS Extension Cable	96	WA4497121000	PRO 537 100 0 ABS Extension Cable	96
WA4497121000					

Ref. No	ProVia number / product	Page	Ref. No	ProVia number / product	Page
<b>Zorzi</b>					
1012019	PRO 648 000 0 Park Release Emergency Valve.....	79	1013171	PRO 527 005 0 Trailer Release Valve.....	87
1013065	PRO 527 004 0 Trailer Release Valve.....	87	1070056	PRO 537 023 0 ABS Extension Cable.....	95
1013120	PRO 006 003 0 Chassis Levelling Valve.....	57	6106028	PRO 537 038 0 ABS Extension Cable.....	95
1013140	PRO 006 001 0 Chassis Levelling Valve.....	57	6169370	PRO 527 001 0 Trailer Release Valve.....	87
1013165	PRO 527 006 0 Trailer Release Valve.....	87	1006611	PRO 601 077 0 Shock Absorber.....	62



ProVia™

ProVia

Do you need more  
ProVia information?



**Visit ProVia Homepage**

It will provide you with the fresh information about new launches, materials download and more...

[www.provia-auto.com](http://www.provia-auto.com)



**Follow Facebook Fan Page**

It will give you the newest information about ProVia events, quizzes, products and initiatives

[www.facebook.com/ProViaSpareParts/](https://www.facebook.com/ProViaSpareParts/)