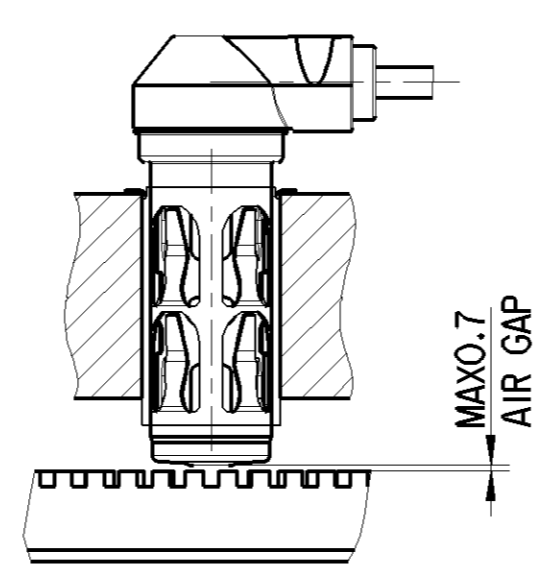
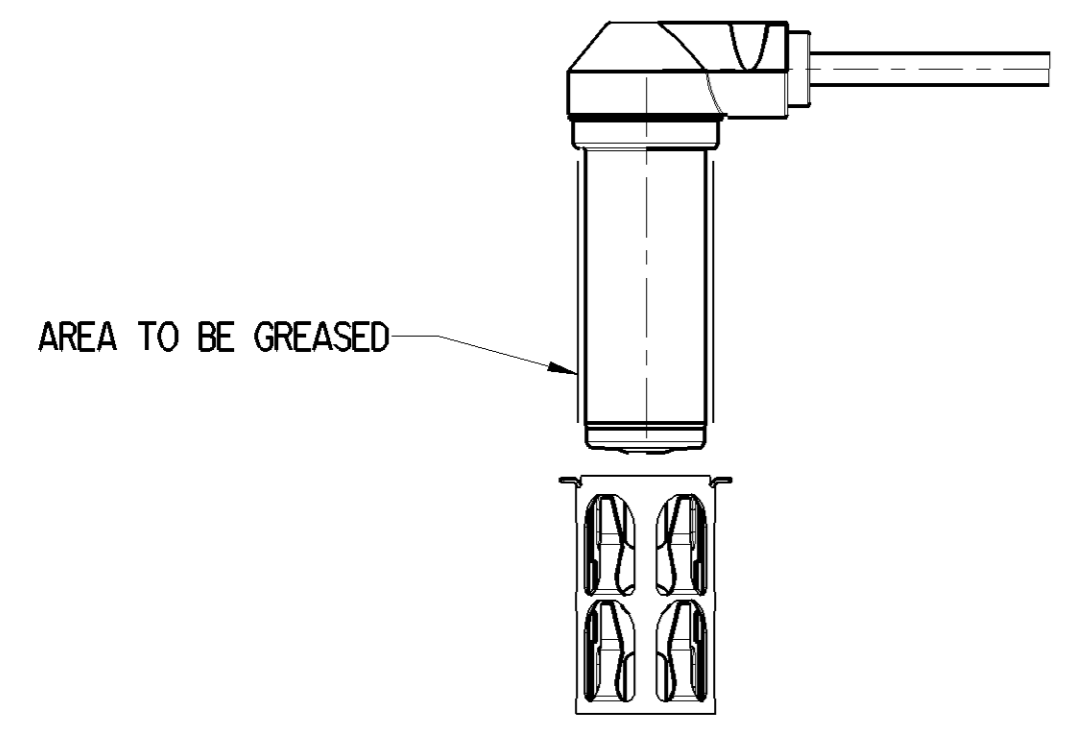


WEEK AND YEAR OF MANUFACTURE ① PART NO ①

PROVIA WW/YY MADE IN GERMANY PRO 032 050 0

PROVIA-8.8 JED-868 ① Font height 2.2 mm (CAPITAL LETTERS ONLY)

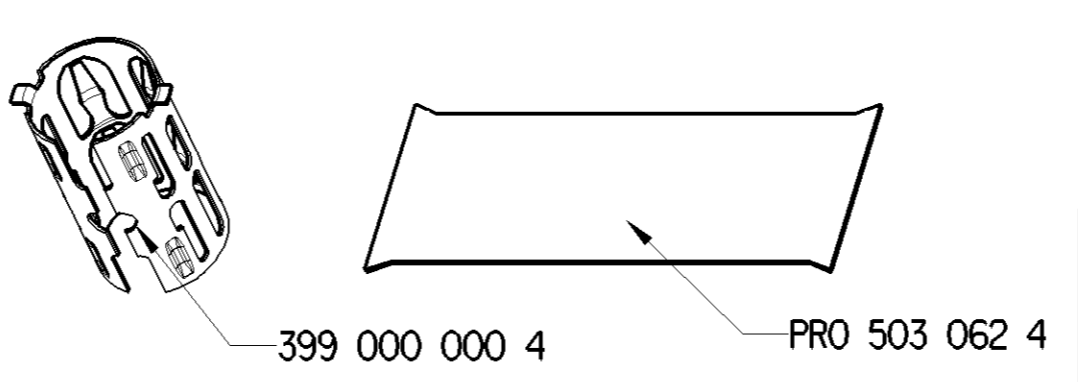
B 2:1



THERMAL RANGE OF APPLICATION

I	-40°C...+200°C +210°C [1h]
II	-40°C...+150°C +180°C [1h]
III	-40°C...+150°C
IV	-40°C...+105°C

- ① ABRASION-RESISTANT LASER PRINTING. TEXT VISIBLE AGAINST THE BACKGROUND.
- ② DEGREE OF PROTECTION (IN CONNECTION WITH PLUG) 6K7
- ③ MINIMUM CABLE BEND RADIUS R 15



Additional equipment		
Name	Number	QTY
Clamping bush	399 000 000 4	1
Grease	PRO 503 062 4	1

General Specification: ISO 8015, JED-334-1, Size ISO 14405 LP		Copyright ZF®	
Further Technical Data: Product Specification		Date	Signature
Doc. Code: 035	Sheet: 1 To 7	2023-06-02	Blazejczak
General Tolerances JED-261		Checked	Pawlowski
Range of nominal dimensions in mm		Inductive Sensor (ABS)	
Class 1)	≤ 50 > 50 ≤ 180 > 180 ≤ 400 > 400	Dimensions in mm	
Fine	±0.5 ±1 ±1.5 ±2	Mass	Scale
Medium	±1 ±2 ±3 ±4	0.118 kg	1:1 (2:1)
Coarse	±2 ±3.5 ±5 ±6.5	Size	CAD System
Tapped Holes acc.		A 2	CREO
1) Tolerance Class Applied Crossmarked		Material No.	Date of first issue: 2023-06-05
		PRO 032 050 0	
		Doc.Code	Language
		005	EN
		Sheet	1/1
		ECN-No.	Revision
		-	-
		Techn. Resp.	Replacement for
		6310_AM	-

Non e permesso copiare, o terzi o riprodurre questo documento, ne utilizzare il contenuto o renderlo comunque noto a terzi senza autorizzazione esplicita. Ogni infrazione costituisce un evidente abuso e comporterà il risarcimento dei danni subiti. E' fatta riserva di tutti i diritti derivanti da brevetti o modelli.
 Copying of this document and giving it to others and the use or communication of the contents thereof, are forbidden without express authority. Contravention of this restriction will constitute an evident abuse and result in a liability to the payment of damages. All rights are reserved in the event of the grant of patent or registration of a utility model or design. This document is the subject of copyright.
 Toute communication ou reproduction de ce document, toute exploitation ou communication de son contenu sont interdites, sauf autorisation expresse. Tout manquement a cette regle constitue un abus evident et expose son auteur au versement de dommages et interets. Tous droits de propriete industrielle reserves, notamment en matiere de brevets et de modesles.
 Weitergabe sowie Vervielfältigung dieses Urteiles, Verwertung und Mitteilung desselben ist nicht gestattet, soweit nicht ausdrücklich ansonsten, Zuerkennung der Rechte vorbehalten. Missbrauch der und verpflichten zu Schadensersatz. Alle Rechte hier den Fall der Patentierung oder Gebrauchsmuster-Eintragung vorbehalten.