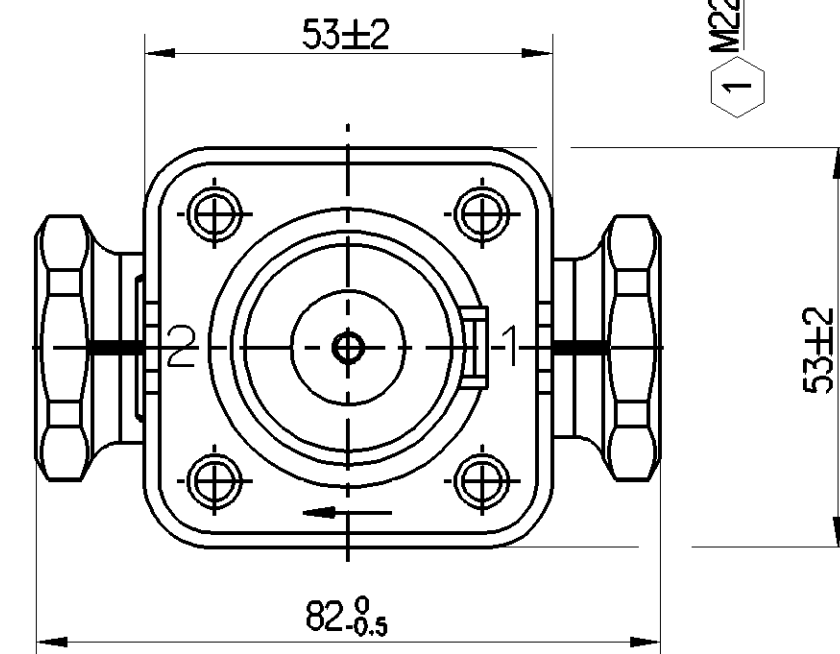
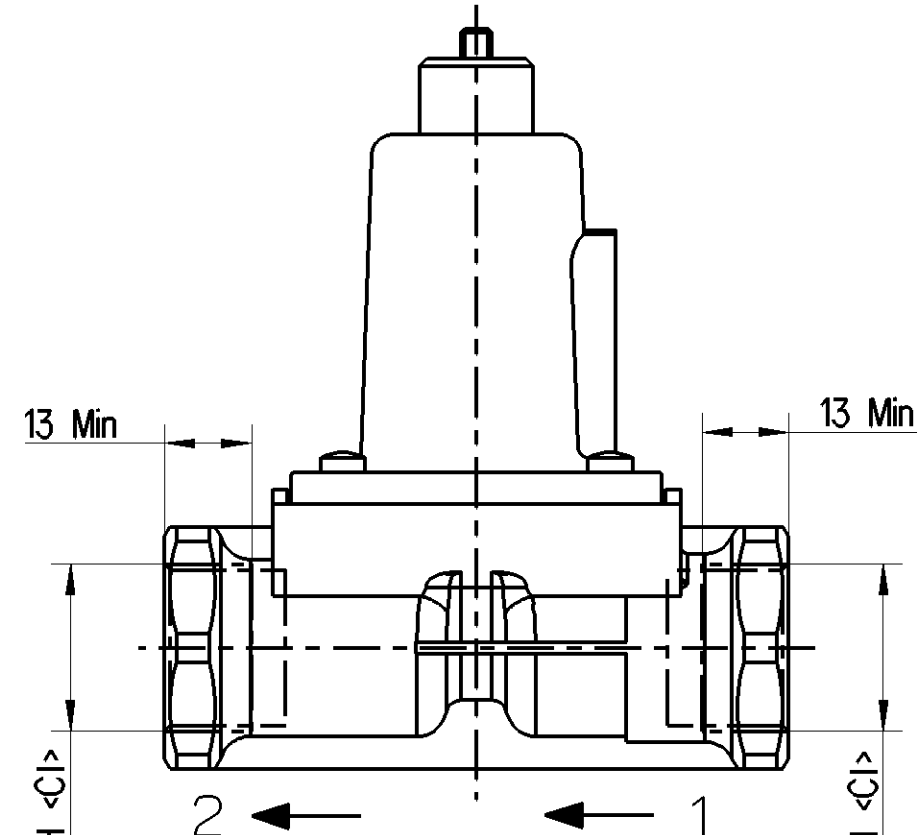
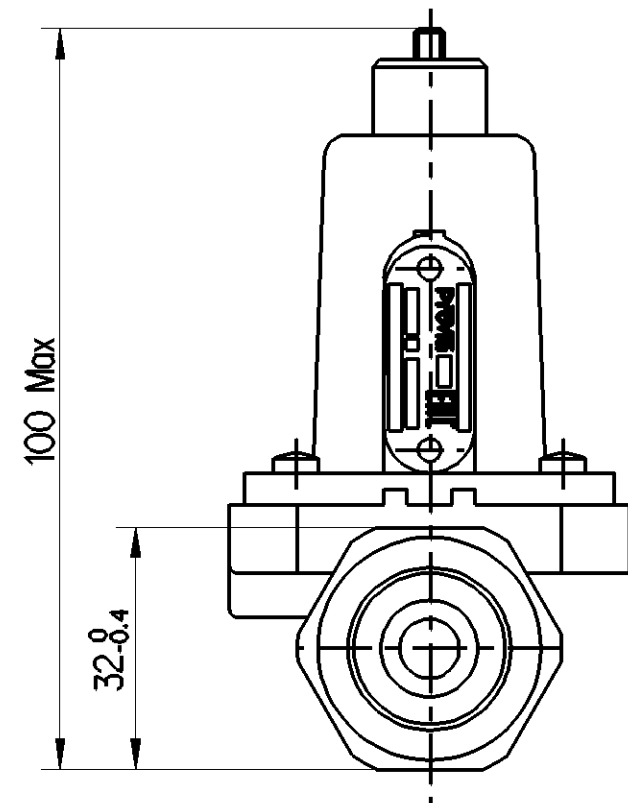
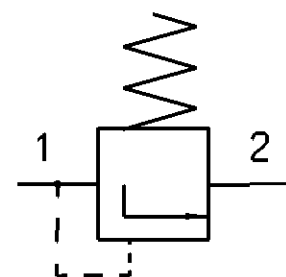
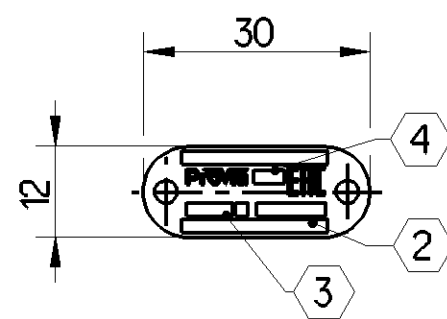


<1> SAFETY CHARACTERISTICS	0
<2> SIGNIFICANT CHARACTERISTICS	0
<C1> CUSTOMER INTERFACE	2



MEDIUM: AIR
 WORKING PRESSURE: MAX. $p_e = 13$ bar
 CHARGING PRESSURE: $6.0^{+0.3}$ bar
 WORKING TEMPERATURE: $-40^{\circ}\text{C} \dots +80^{\circ}\text{C}$
 1 TORQUE: 53Nm Max



SCHEMATIC DIAGRAM

- ⚠ 2 PROVIA IDENTIFICATION NUMBER
- ⚠ 3 WEEK/YEAR OF MANUFACTURE
- ⚠ 4 MANUFACTURING PLANT

Non è permesso consegnare o terzi o riprodurre questo documento, né utilizzare il contenuto o renderlo comunque noto a terzi senza autorizzazione esplicita. Ogni infrazione costituirà un evidente abuso e comporterà il risarcimento dei danni subiti. È fatta riserva di tutti i diritti derivanti da brevetti o marchi.

Copying of this document and giving it to others and the use or communication of the contents thereof, are forbidden without express authority. Copying of this document will constitute an evident abuse and result in a liability to the payment of damages. All rights are reserved in the event of the grant of patent or registration or of utility model or design. This document is the subject of copyright.

Toute communication ou reproduction de ce document, toute exploitation ou communication de son contenu sont interdites, sauf autorisation expresse. Tout manquement à cette règle constitue un abus évident et expose son auteur au versement de dommages et intérêts. Tous droits de propriété intellectuelle réservés, notamment en matière de brevets et de marques.

Weitergabe sowie Vervielfältigung dieser Unterlagen, Verwertung und Mitteilung ihres Inhalts nicht gestattet, soweit nicht ausdrücklich gestattet. Zuwiderhandlungen stellen einen offensichtlichen Missbrauch dar und verpflichten zu Schadenersatz. Alle Rechte vorbehalten.

General Specification: ISO 8015, JED-334-1, Size ISO 14405 LP		Copyright WABCO®		ProVia	
Further Technical Data: PRO 122 024 0		Date	Signature		
Doc. Code: 035 Sheet: 1 To 7		2023-08-21	Kaviya	CHARGING VALVE	
General Tolerances JED-261		Checked			
Range of Nominal Dimensions (± mm)		2023-09-06		Subbiah	
Class 1)	≤ 50 > 50 > 180 > 180 > 400 > 400	Dimensions in mm		Material No.	
Fine	±0.5 ±1 ±1.5 ±2	Mass	Scale	Date of first issue: 2023-01-25	
Medium	x ±1 ±2 ±3 ±4	0.22 kg	1:1	Doc.Code Language Sheet	
Coarse	±2 ±3.5 ±5 ±6.5	Size CAD System		005 EN 1/1	
Tapped Holes acc. JED-152		A 2 CREO		Replacement for	
1) Tolerance Class Applied Crossmarked		ECN-No. Revision Techn. Resp.		515047 3x A 5120_AM	

100mm