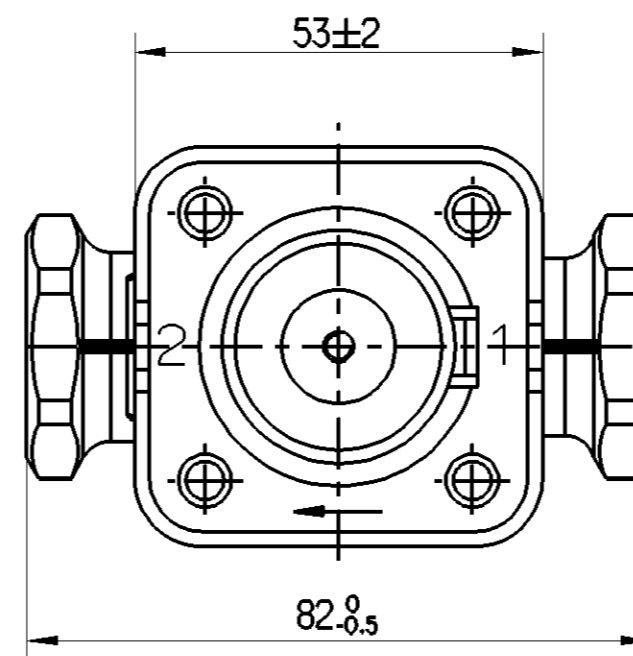
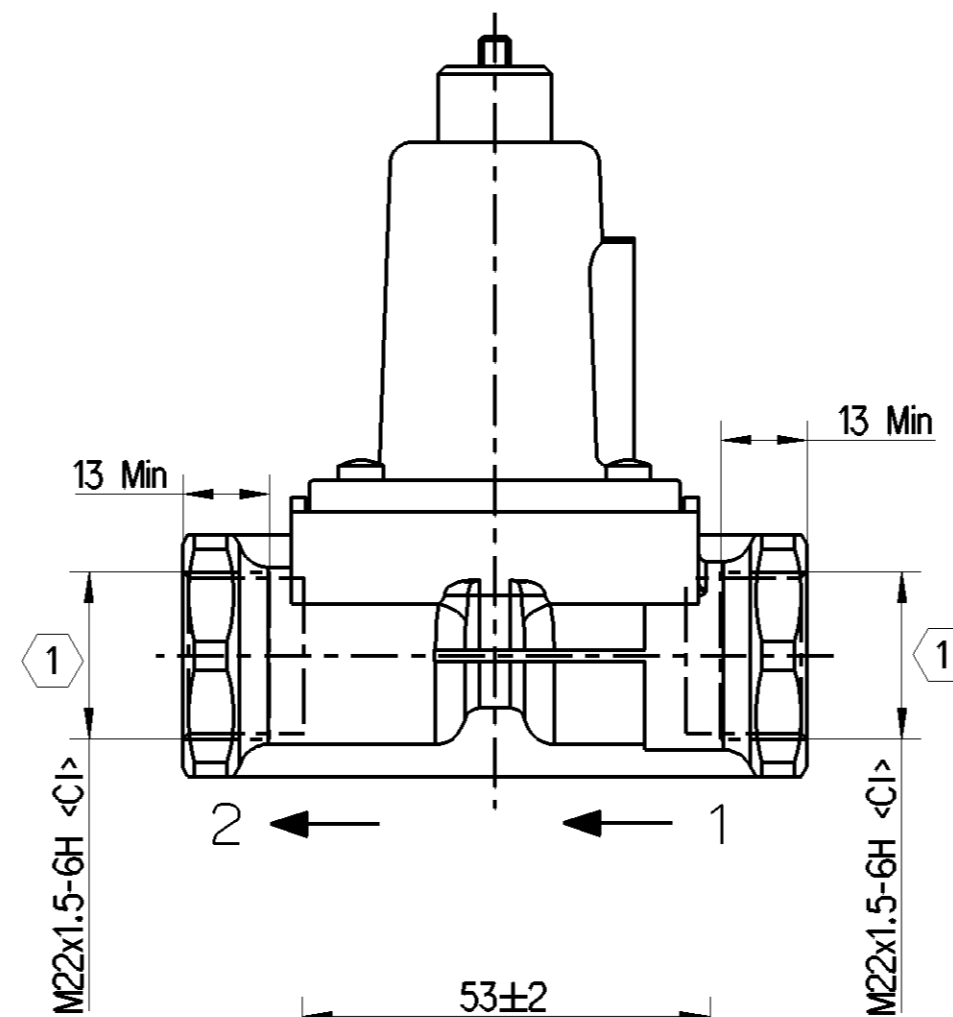
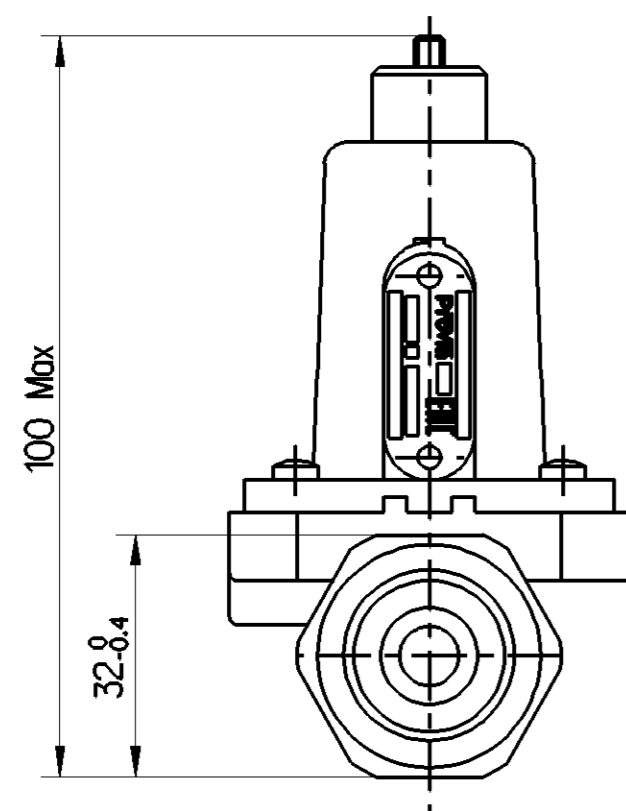
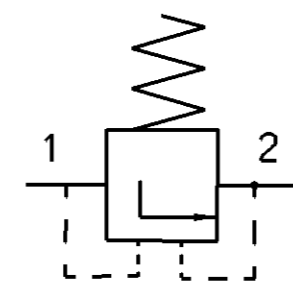
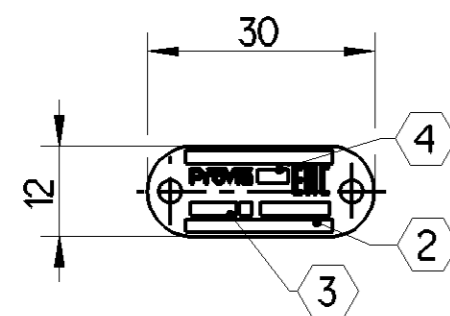


<1> SAFETY CHARACTERISTICS	0
<2> SIGNIFICANT CHARACTERISTICS	0
<CI> CUSTOMER INTERFACE	2



MEDIUM: AIR
 WORKING PRESSURE: MAX. p_e = 13 bar
 CHARGING PRESSURE: 6.4 $_{-0.3}^0$ bar
 WORKING TEMPERATURE: -40°C. . . +80°C
 ① TORQUE: 53 Nm Max



SCHEMATIC DIAGRAM

- Ⓐ ② PROVIA IDENTIFICATION NUMBER
- Ⓐ ③ WEEK/YEAR OF MANUFACTURE
- Ⓐ ④ MANUFACTURING PLANT

General Specification: ISO 8015, JED-334-1, Size ISO 14405 LP		Copyright WABCO®		ProVia	
Further Technical Data: PRO 122 028 0		Date	Signature		
Doc. Code: 035	Sheet: 1 To 6	2023-08-21	Drawn Kaviya	CHARGING VALVE	
General Tolerances JED-261		Checked	2023-09-06		
Range of Nominal Dimensions (± mm)		Dimensions in mm		Date of first issue: 2023-01-25	
Class 1)	≤ 50	> 50 ≤ 180	> 180 ≤ 400	> 400	±3°
Fine	±0.5	±1	±1.5	±2	±3°
Medium	±1	±2	±3	±4	
Coarse	±2	±3.5	±5	±6.5	
Tapped Holes acc. JED-152		Mass	Scale	Material No.	Date of first issue: 2023-01-25
1) Tolerance Class Applied Crossmarked		0.22	1:1	PRO 122 031 0	Doc.Code Language Sheet
		A 2	CREO	ECN-No. 515047	005 EN 1/1
				Revision 3x	Techn. Resp. A
				5120_AM	Replacement for -

Non e' permesso copiare, o terzi o riprodurre questo documento, ne utilizzare il contenuto o renderlo comunque noto a terzi senza autorizzazione esplicita. Ogni infrazione costituisce un evidente abuso e comportera il risarcimento dei danni subiti. E' fatta riserva di tutti i diritti derivanti da brevetti o modelli.

Copying of this document and giving it to others and the use or communication of the contents thereof, are forbidden without express authority. Contention of this restriction will constitute an evident abuse and result in a liability to the payment of damages. All rights are reserved in the event of the grant of patent or registration of a utility model or design. This document is the subject of copyright.

Toute communication ou reproduction de ce document, toute exploitation ou communication de son contenu sont interdites, sauf autorisation expresse. Tout manquement a cette regle constitue un abus evident et expose son auteur au versement de dommages et interets. Tous droits de propriete industrielle reserves, notamment en matiere de brevets et de modesles.

Weitergabe sowie Vervielfältigung dieses Urteiles, Verwertung und Mitteilung desselben ist nicht gestattet, soweit nicht ausdrücklich angedeutet. Zuwiderhandlungen stellen einen offensichtlichen Missbrauch dar und verpflichten zu Schadensersatz. Alle Rechte hier den Fall der Patenterteilung oder Gebrauchsmuster-Eintragung vorbehalten.