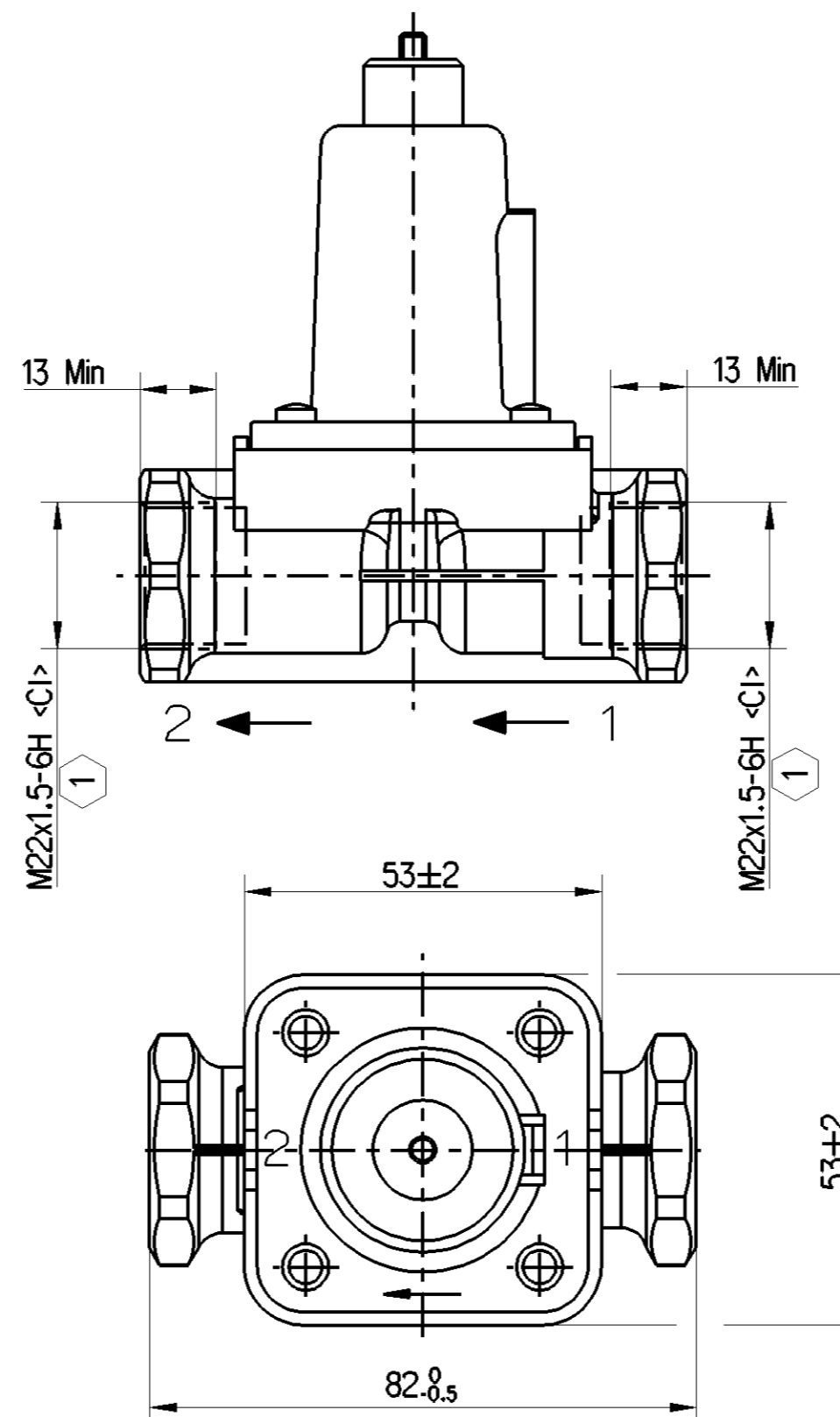
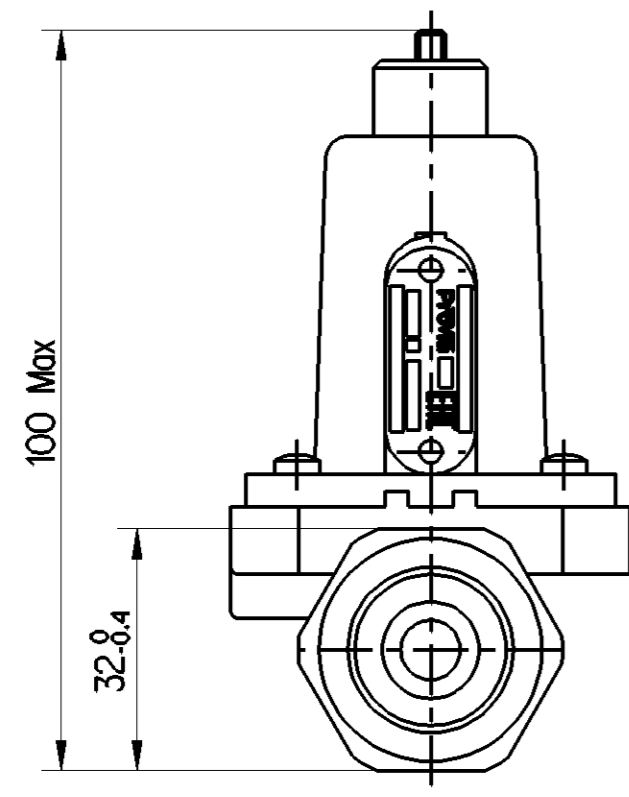
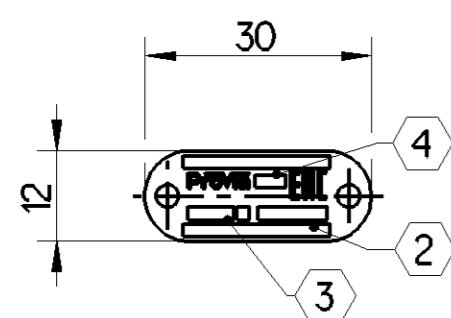


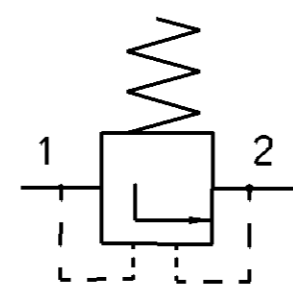
<1> SAFETY CHARACTERISTICS	0
<2> SIGNIFICANT CHARACTERISTICS	0
<CI> CUSTOMER INTERFACE	2



MEDIUM: AIR
 WORKING PRESSURE: MAX._{Pe} = 13 bar
 CHARGING PRESSURE: 6.2_{-0.3} bar
 WORKING TEMPERATURE: -40°C. . . +80°C
 ① TORQUE: 53Nm Max



- ② PROVIA IDENTIFICATION NUMBER
- ③ WEEK/YEAR OF MANUFACTURE
- ④ MANUFACTURING PLANT



SCHEMATIC DIAGRAM

General Specification: ISO 8015, JED-334-1, Size ISO 14405 LP		Copyright WABCO®		ProVia	
Further Technical Data: PRO 122 032 0		Date	Signature		
Doc. Code: 035		Sheet: 1 To 6		CHARGING VALVE	
General Tolerances JED-261		2023-08-21	Drawn Kaviya		
Range of Nominal Dimensions (± mm)		Checked 2023-09-06		Subbich	
Class 1) <table border='1'><tr><th></th><th></th><th></th><th></th><th></th></tr><tr><td></td><td></td><td></td><td></td><td></td></tr><tr><td></td><td></td><td></td><td></td><td></td></tr><tr><td></td><td></td><td></td><td></td><td></td></tr></tr></table>		Dimensions in mm		Material No.	
Fine <table border='1'><tr><th></th><th></th><th></th><th></th></tr><tr><td></td><td></td><td></td><td></td></tr><tr><td></td><td></td><td></td><td></td></tr><tr><td></td><td></td><td></td><td></td></tr></tr></table>		Mass	Scale	Date of first issue: 2023-01-25	
Medium X		0.22	1:1	PRO 122 032 0	
Coarse		Size	CAD System	005	EN 1/1
Tapped Holes acc. JED-152		A 2	CREO	Replacement for	
1) Tolerance Class Applied Crossmarked		ECN-No. 515047		Revision 3x	Techn. Resp. A 5120_AM

Non e' permesso copiare, o terzi o riprodurre questo documento, ne utilizzare il contenuto o renderlo comunque noto o terzi senza autorizzazione esplicita. Ogni infrazione costituisce un evidente abuso e comportera il risarcimento dei danni subiti. E' fatta riserva di tutti i diritti derivanti da brevetti o modelli.

Toute communication ou reproduction de ce document, toute exploitation ou communication de son contenu sont interdites, sauf autorisation expresse. Tout manquement a cette regle constitue un abus evident et expose son auteur au versement de dommages et interets. Tous droits de propriete industrielle reserves, notamment en matiere de brevets et de modesles.

Copying of this document and giving it to others and the use or communication of the contents thereof, are forbidden without express authority. Contravention of this restriction will constitute an evident abuse and result in a liability to the payment of damages. All rights are reserved in the event of the grant of patent or registration of a utility model or design. This document is the subject of copyright.

Weitergabe sowie Vervielfältigung dieses Urteiles, Verwertung und Mitteilung desselben, insbesondere in irgendeiner Weise oder in irgendeiner Weise, ist nicht ausdreslich untersagt. Wiederholungen stellen einen offensichtlichen Missbrauch dar und verpflichten zu Schadenersatz. Alle Rechte hier den Fall der Patenterteilung oder Gebrauchsmuster-Eintragung vorbehalten.