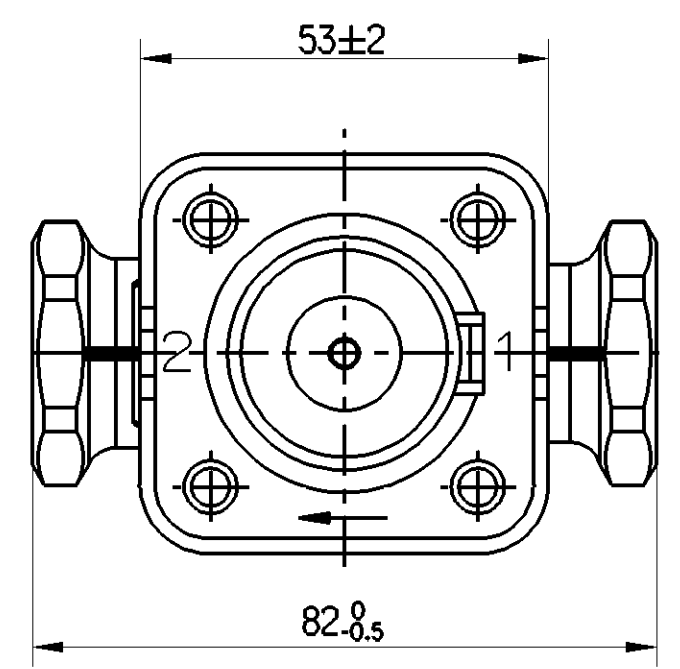
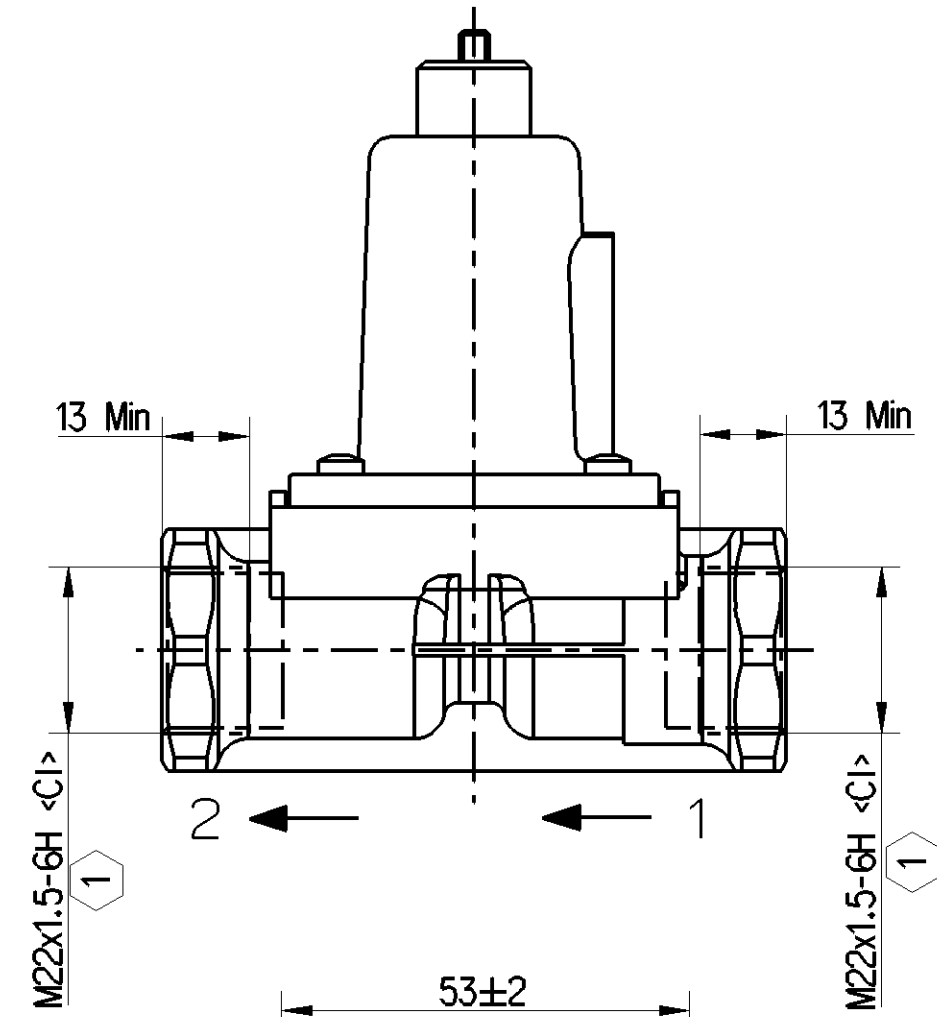
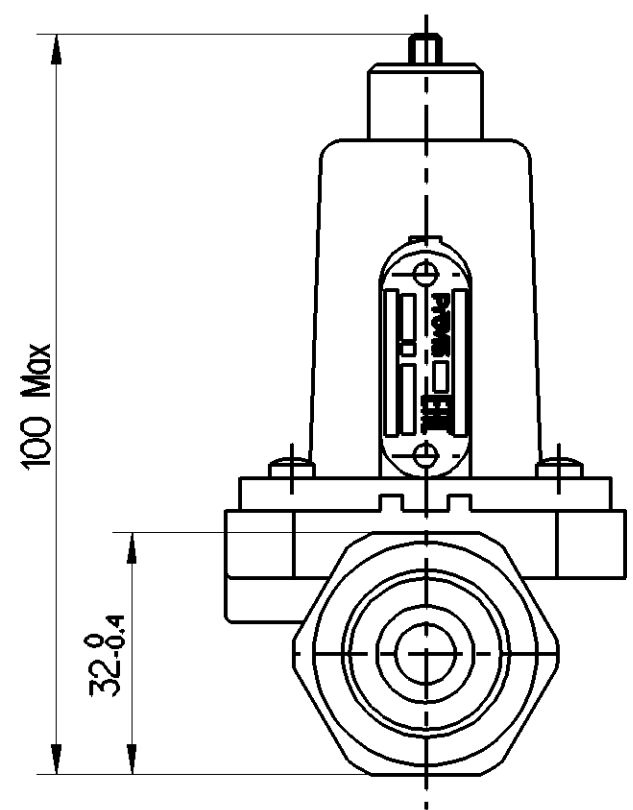


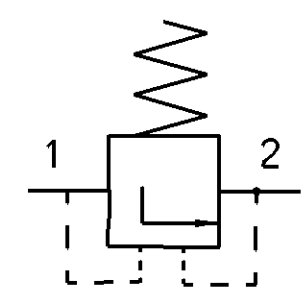
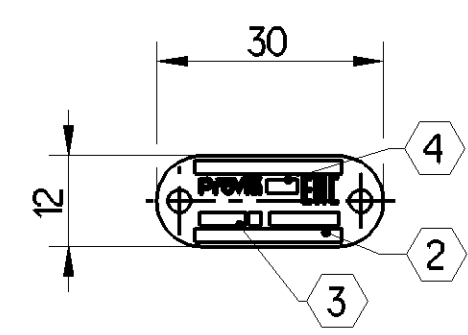
<1> SAFETY CHARACTERISTICS	0
<2> SIGNIFICANT CHARACTERISTICS	0
<C1> CUSTOMER INTERFACE	2



MEDIUM: AIR  
 WORKING PRESSURE: MAX.  $p_e = 13$  bar  
 CHARGING PRESSURE:  $8.0^{+0.30}$  bar  
 WORKING TEMPERATURE:  $-40^{\circ}\text{C} \dots +80^{\circ}\text{C}$   
 1 TORQUE: 53Nm Max

Non è permesso consegnare o terzi o riprodurre questo documento, né utilizzare il contenuto o renderlo comunque noto a terzi senza autorizzazione esplicita. Ogni infrazione costituisce un evidente abuso e comporterà il risarcimento dei danni subiti. È fatta riserva di tutti i diritti derivanti da brevetti o modelli.  
 Copying of this document and giving it to others and the use or communication of the contents thereof, are forbidden without express authority. Commitment of this restriction will constitute an evident abuse and result in a liability to the payment of damages. All rights are reserved in the event of the grant of patent or registration or a utility model or design. This document is the subject of copyright.

Toute communication ou reproduction de ce document, toute exploitation ou communication de son contenu sont interdites, sauf autorisation expresse. Tout manquement à cette règle constitue un abus évident et expose son auteur au versement de dommages et intérêts. Tous droits de propriété intellectuelle réservés, notamment en matière de brevets et de modèles.  
 Weitergabe sowie Vervielfältigung dieser Unterlagen, Verwertung und Mitteilung ihres Inhalts nicht gestattet, soweit nicht ausdrücklich zugelassen. Zuwiderhandlungen stellen einen offensichtlichen Missbrauch dar und verpflichten zu Schadenersatz. Alle Rechte vorbehalten.



SCHEMATIC DIAGRAM

- PROVA IDENTIFICATION NUMBER
- WEEK/YEAR OF MANUFACTURE
- MANUFACTURING PLANT

General Specifications: ISO 8015, JED-334-1, Size ISO 14405 LP		Copyright WABCO®		<b>ProVia</b> CHARGING VALVE	
Further Technical Data: PRO 122 028 0		Date	Signature		
Doc. Code: 035 Sheet: 1 To 6		2023-08-21	Kaviya	Date of first issue: <b>2023-01-25</b>	
General Tolerances JED-261		Checked	Subbiah		
Range of Nominal Dimensions ( ± mm)		Dimensions in mm		005	EN
Class 1)	≤ 50 > 50 > 180 > 180 ≤ 400 > 400	Mass	Scale	Material No.	
Fine	±0.5 ±1 ±1.5 ±2	0.22 kg	1:1	PRO 122 033 0	
Medium	±1 ±2 ±3 ±4	Size	CAD System	ECN-No.	Revision
Coarse	±2 ±3.5 ±5 ±6.5	A 2	CREO	515047	3x
Tapped Holes acc. JED-152		Replacement for		Techn. Resp.	5120_AM
1) Tolerance Class Applied Crossmarked		100mm			