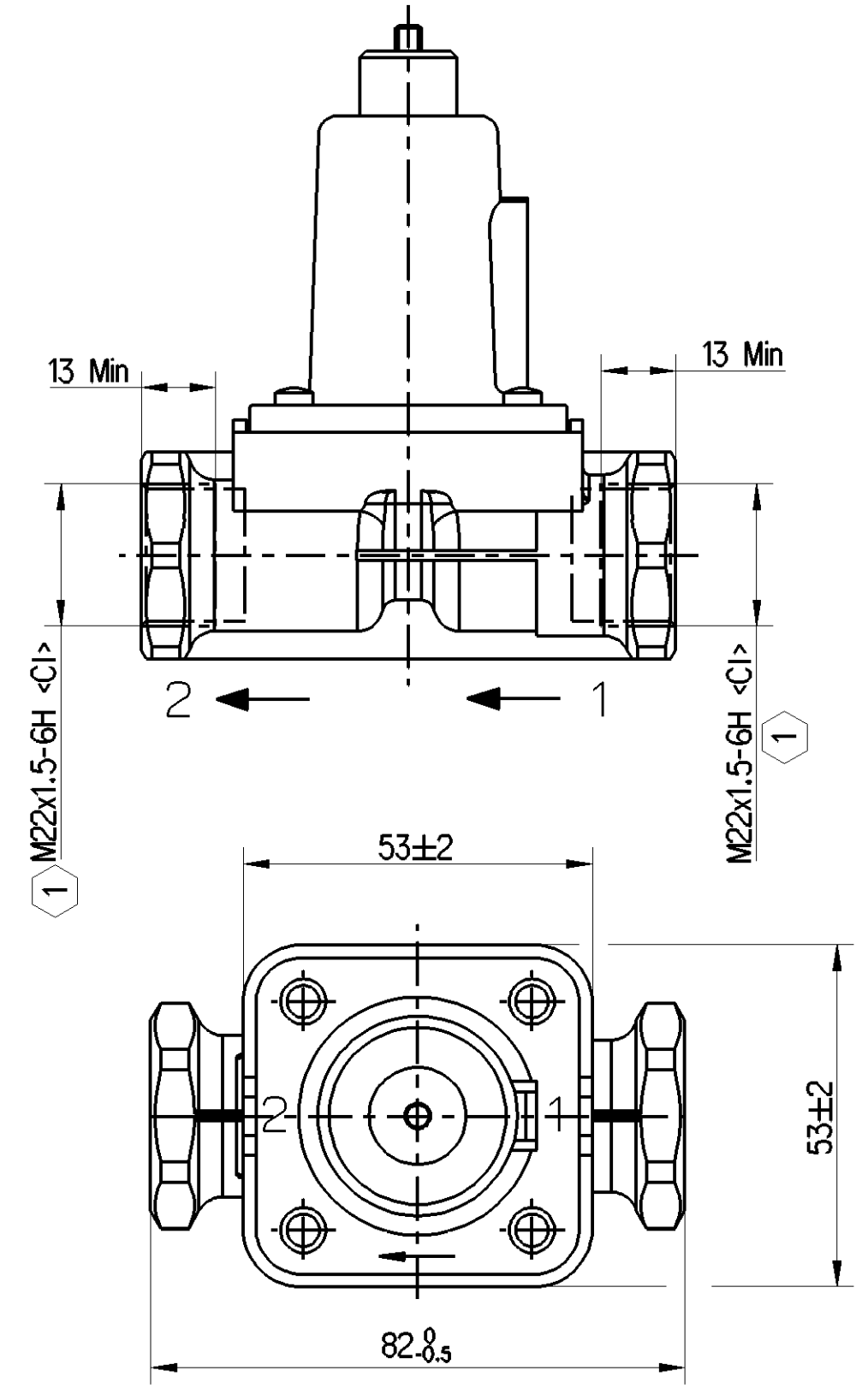
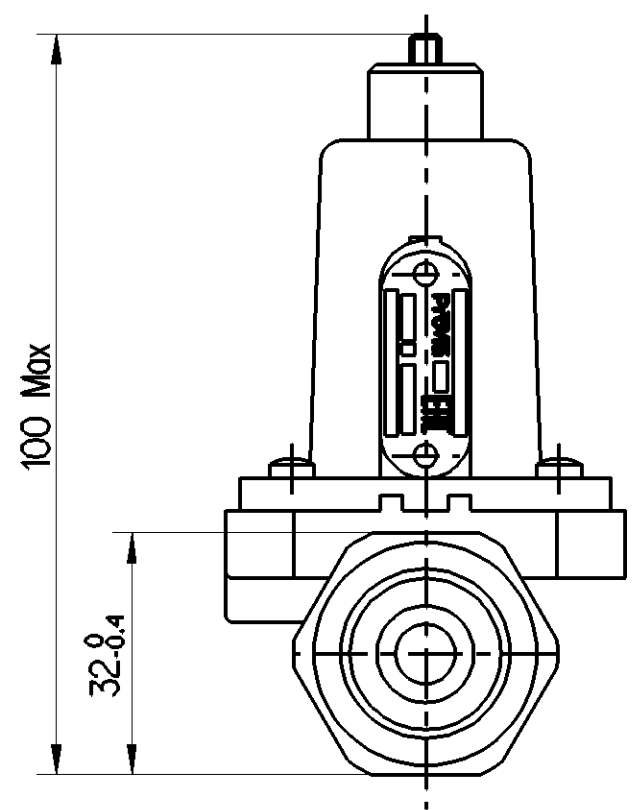
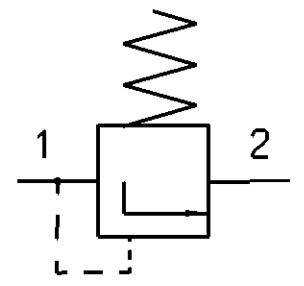
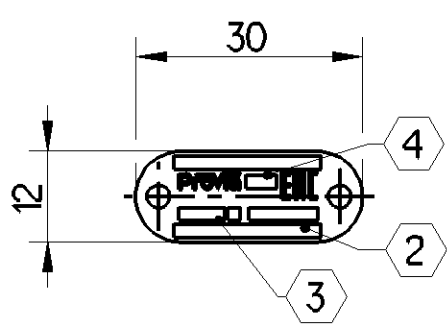


<1> SAFETY CHARACTERISTICS	0
<2> SIGNIFICANT CHARACTERISTICS	0
<C1> CUSTOMER INTERFACE	2



MEDIUM: AIR
 WORKING PRESSURE: MAX. $p_e = 13$ bar
 CHARGING PRESSURE: $7.3_{-0.3}^0$ bar
 WORKING TEMPERATURE: $-40^{\circ}\text{C} \dots +80^{\circ}\text{C}$
 1 TORQUE: 53Nm Max



- △ 2 PROVIA IDENTIFICATION NUMBER
- △ 3 WEEK/YEAR OF MANUFACTURE
- △ 4 MANUFACTURING PLANT

SCHEMATIC DIAGRAM

Non è permesso consegnare o terzi o riprodurre questo documento, né utilizzare il contenuto o renderlo comunque noto a terzi senza autorizzazione esplicita. Ogni infrazione costituisce un evidente abuso e comporterà il risarcimento dei danni subiti. È fatta riserva di tutti i diritti derivanti da brevetti o modelli.

Copying of this document and giving it to others and the use or communication of the contents thereof, are forbidden without express authority. Commitment of this restriction will constitute an evident abuse and result in a liability to the payment of damages. All rights are reserved in the event of the grant of patent or registration or of utility model or design. This document is the subject of copyright.

Toute communication ou reproduction de ce document, toute exploitation ou communication de son contenu sont interdites, sauf autorisation expresse. Tout manquement à cette règle constitue un abus évident et expose son auteur ou versement de dommages et intérêts. Tous droits de propriété intellectuelle réservés, notamment en matière de brevets et de modèles.

Weitergabe sowie Vervielfältigung dieser Unterlagen, Verwertung und Mitteilung ihres Inhalts nicht gestattet, soweit nicht ausdrücklich zugelassen. Zuwiderhandlungen stellen einen offensichtlichen Missbrauch dar und verpflichten zu Schadenersatz. Alle Rechte vorbehalten.

General Specifications: ISO 8015, JED-334-1, Size ISO 14405 LP		Copyright WABCO®		ProVia	
Further Technical Data: PRO 122 024 0		Date	Signature		
Doc. Code: 035 Sheet: 1 To 7		2023-08-21	Kaviya	CHARGING VALVE	
General Tolerances JED-261		Checked			
Range of Nominal Dimensions (± mm)		2023-09-06	Subbiah	Date of first issue: 2023-01-25	
Class 1)	≤ 50 > 50 > 180 > 180 > 400 > 400	Dimensions in mm			
Fine	±0.5 ±1 ±1.5 ±2	0.22	1:1	005	EN
Medium	±1 ±2 ±3 ±4	kg	CREO	1/1	
Coarse	±2 ±3.5 ±5 ±6.5	Size		CAD System	Replacement for
Tapped Holes acc. JED-152		Material No.		ECN-No.	
1) Tolerance Class Applied Crossmarked		PRO 122 035 0		515047	Revision
		A 2		3x	Techn. Resp.
				A	5120_AM

100mm