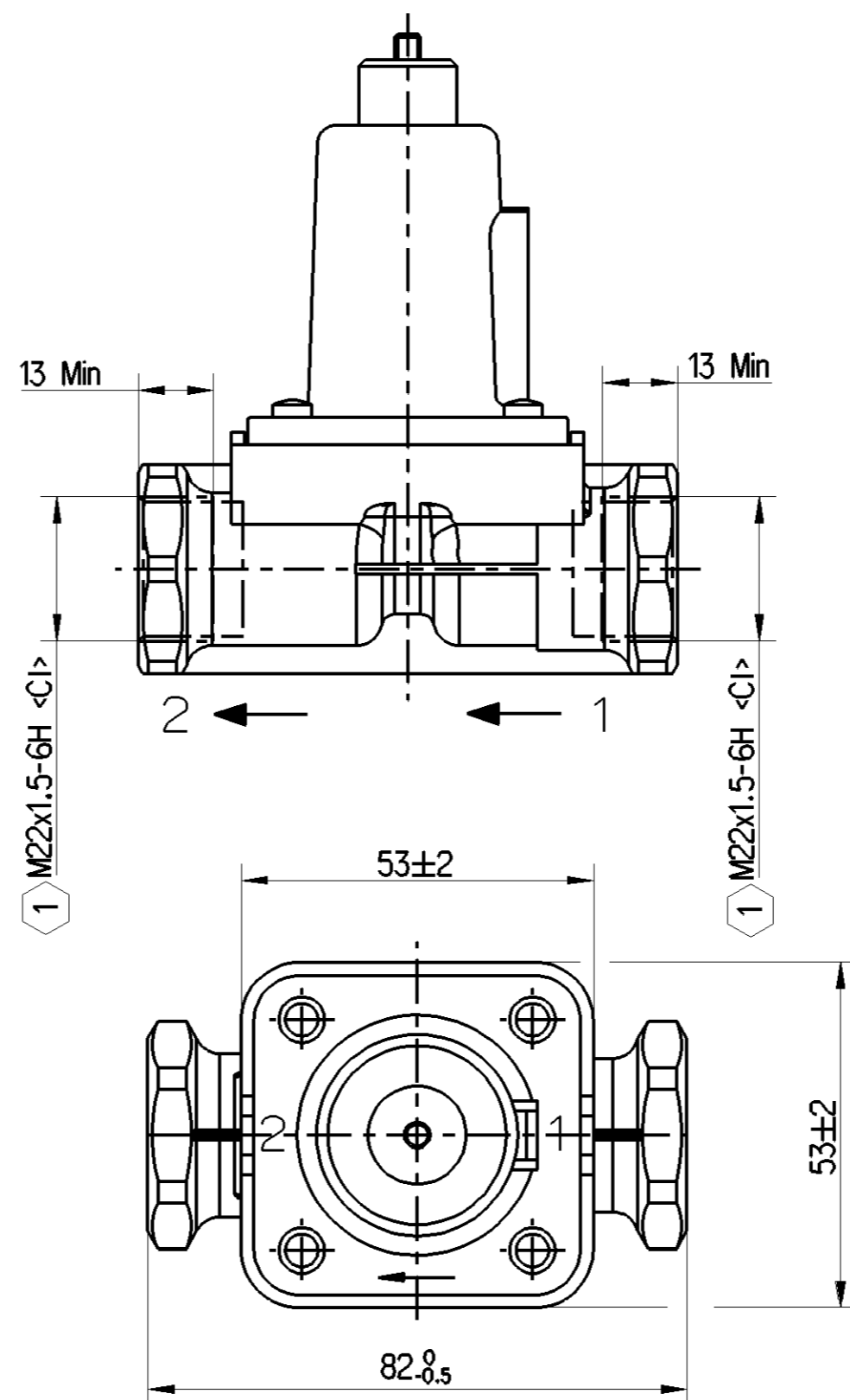
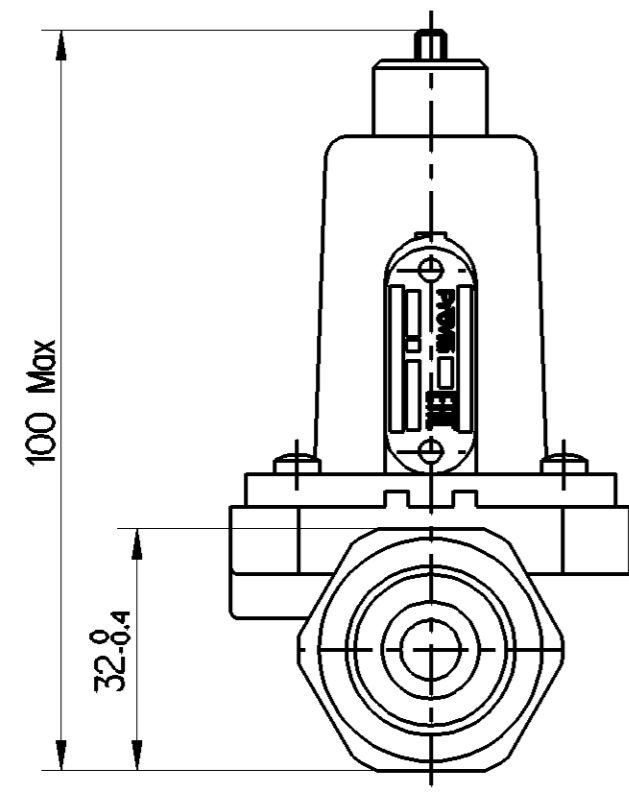
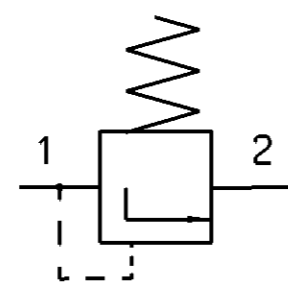
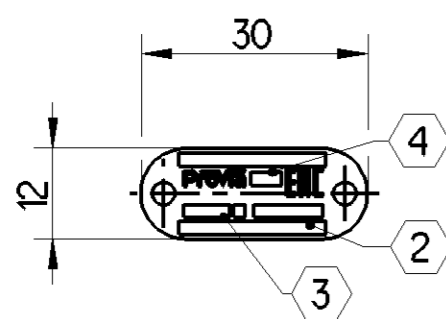


| | |
|---------------------------------|---|
| <1> SAFETY CHARACTERISTICS | 0 |
| <2> SIGNIFICANT CHARACTERISTICS | 0 |
| <CI> CUSTOMER INTERFACE | 2 |



MEDIUM: AIR
 WORKING PRESSURE: MAX. $P_e = 13$ bar
 CHARGING PRESSURE: $10.8_{-0.5}^0$ bar
 WORKING TEMPERATURE: $-40^{\circ}\text{C} \dots +80^{\circ}\text{C}$
 ① TORQUE: 53 Nm Max



SCHEMATIC DIAGRAM

- ⚠ ② PROVIA IDENTIFICATION NUMBER
- ⚠ ③ WEEK/YEAR OF MANUFACTURE
- ⚠ ④ MANUFACTURING PLANT

| | | | | | |
|---|---------------|------------------|------------------------|--|----------------|
| General Specification: ISO 8015, JED-334-1, Size ISO 14405 LP | | Copyright WABCO® | | ProVia | |
| Further Technical Data: PRO 122 024 0 | | Date | Signature | | |
| Doc. Code: 035 | Sheet: 1 To 7 | 2023-08-21 | Drawn Kaviya | CHARGING VALVE | |
| General Tolerances JED-261 | | Checked | 2023-09-06 | | |
| Range of Nominal Dimensions (± mm) | | Dimensions in mm | | Date of first issue: 2023-01-25 | |
| Class 1) | ≤ 50 | > 50 ≤ 180 | > 180 ≤ 400 | > 400 | Doc.Code |
| Fine | ±0.5 | ±1 | ±1.5 | ±2 | 005 |
| Medium | ±1 | ±2 | ±3 | ±4 | EN |
| Coarse | ±2 | ±3.5 | ±5 | ±6.5 | 1/1 |
| Tapped Holes acc. JED-152 | | Mass | Scale | Material No. | Replacment for |
| 1) Tolerance Class Applied Crossmarked | | 0.22 | 1:1 | PRO 122 036 0 | - |
| | | Size | CAD System | ECN-No. | Revision |
| | | A 2 | CREO | 515047 | 3x A |
| | | Techn. Resp. | | 5120_AM | |

Non e permesso copiare, o terzi o riprodurre questo documento, ne utilizzare il contenuto o renderlo comunque noto o terzi senza autorizzazione esplicita. Ogni infrazione costituisce un evidente abuso e comportera il risarcimento dei danni subiti. E' fatta riserva di tutti i diritti derivanti da brevetti o modelli.

Toute communication ou reproduction de ce document, toute exploitation ou communication de son contenu sont interdites, sauf autorisation expresse. Tout manquement a cette regle constitue un abus evident et expose son auteur au versement de dommages et interets. Tous droits de propriete industrielle reserves, notamment en matiere de brevets et de modesles.

Copying of this document and giving it to others and the use or communication of the contents thereof, are forbidden without express authority. Contravention of this restriction will constitute an evident abuse and result in a liability to the payment of damages. All rights are reserved in the event of the grant of patent or registration of a utility model or design. This document is the subject of copyright.

Weitergabe sowie Vervielfaltigung dieses Unterlagen, Verwertung und Mitteilung ihres Inhalts nicht gestattet, soweit nicht ausdrücklich angedeutet. Zuwiderhandlungen stellen einen offensichtlichen Missbrauch dar und verpflichten zu Schadensersatz. Alle Rechte hier den Fall der Patenterteilung oder Gebrauchsmuster-Eintragung vorbehalten.