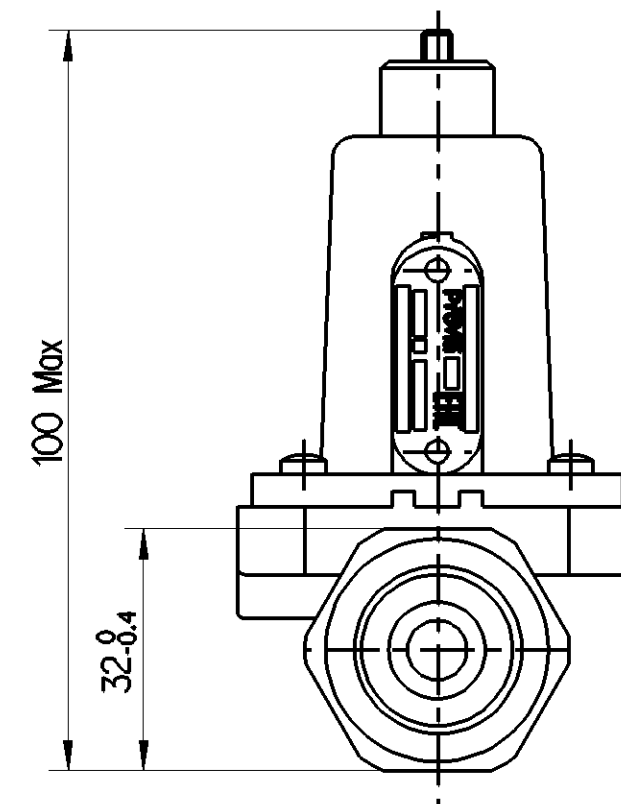
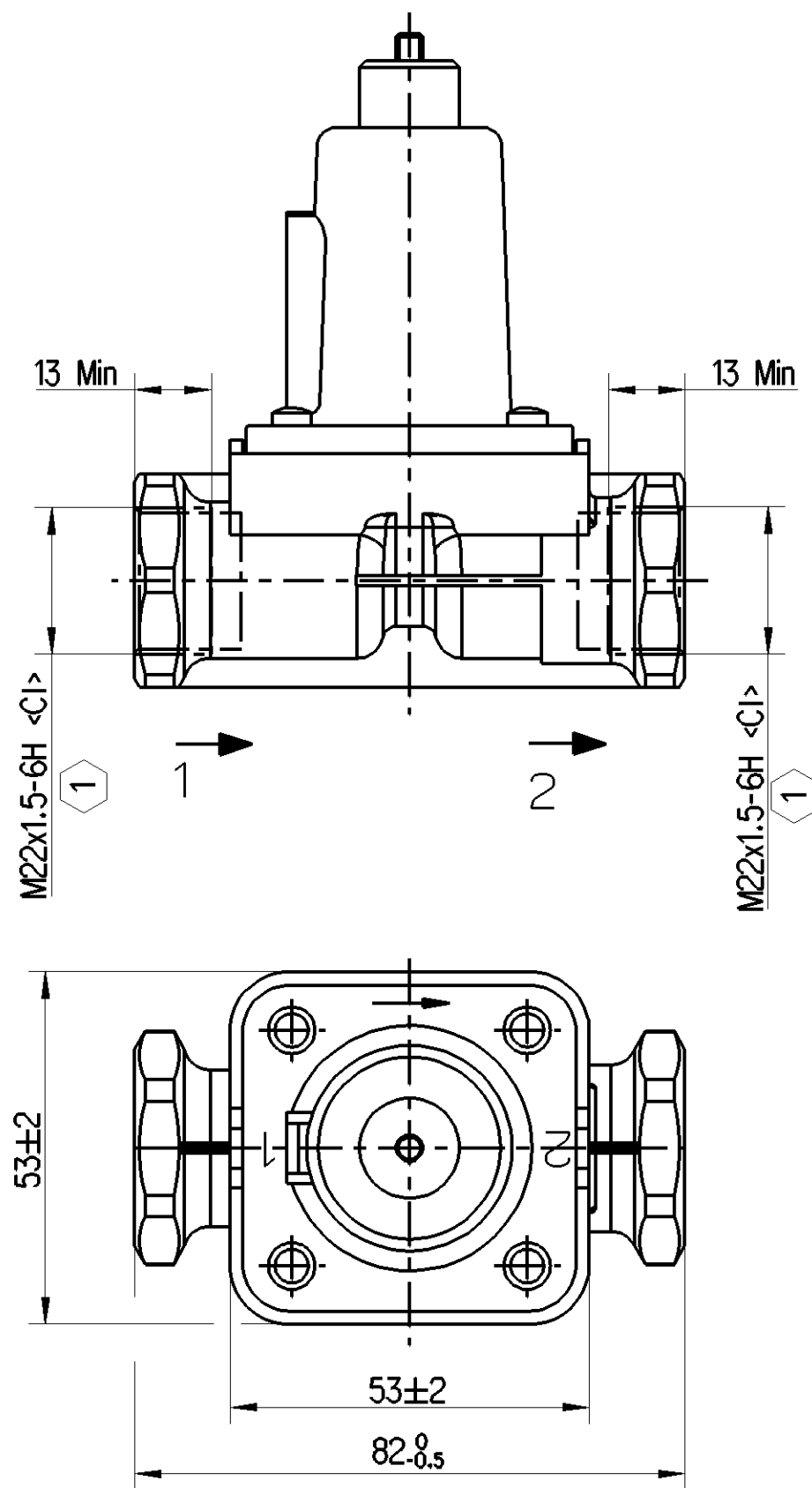
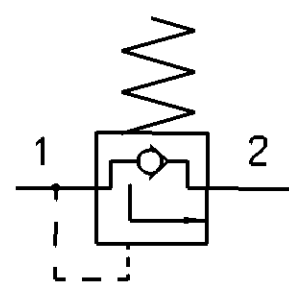
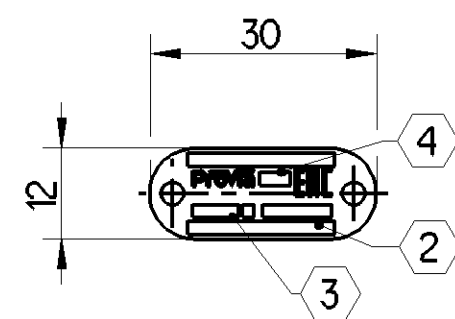


<1> SAFETY CHARACTERISTICS	0
<2> SIGNIFICANT CHARACTERISTICS	0
<C1> CUSTOMER INTERFACE	2



MEDIUM: AIR
 WORKING PRESSURE: MAX. p_e = 13 bar
 CHARGING PRESSURE: 7.3 $_{-0.3}^0$ bar
 WORKING TEMPERATURE: -40°C. . . +80°C
 ① TORQUE: 53Nm Max



SCHEMATIC DIAGRAM

- ① PROVIA IDENTIFICATION NUMBER
- ② WEEK/YEAR OF MANUFACTURE
- ③ MANUFACTURING PLANT

General Specification: ISO 8015, JED-334-1, Size ISO 14405 LP		Copyright WABCO®		ProVia			
Further Technical Data: PRO 122 034 0		Date	Signature				
Doc. Code: 035 Sheet: 1 To 7		2023-08-21	Kaviya	CHARGING VALVE			
General Tolerances JED-261		Checked					
Range of Nominal Dimensions (± mm)		2023-09-06	Subbich				
Class 1)	≤ 50	> 50 ≤ 180	> 180 ≤ 400	> 400	∇		
Fine	±0.5	±1	±1.5	±2	±3°		
Medium	±1	±2	±3	±4			
Coarse	±2	±3.5	±5	±6.5			
Tapped Holes acc. JED-152		Dimensions in mm		Date of first issue: 2023-01-25			
1) Tolerance Class Applied Crossmarked		Mass	Scale	Material No.	Doc.Code	Language	Sheet
		0.22	1:1	PRO 122 037 0	005	EN	1/1
		Size	CAD System	ECN-No.	Revision	Techn. Resp.	Replacement for
		A 2	CREO	515047	3x	A	5120_AM

Non e permesso copiare, o terzi o riprodurre questo documento, ne utilizzare il contenuto o renderlo comunque noto a terzi senza autorizzazione esplicita. Ogni infrazione costituisce un evidente abuso e comportera il risarcimento dei danni subiti. E' fatta riserva di tutti i diritti derivanti da brevetti o modelli.

Copying of this document and giving it to others and the use or communication of the contents thereof, are forbidden without express authority. Contravention of this restriction will constitute an evident abuse and result in a liability to the payment of damages. All rights are reserved in the event of the grant of patent or registration of a utility model or design. This document is the subject of copyright.

Toute communication ou reproduction de ce document, toute exploitation ou communication de son contenu sont interdites, sauf autorisation expresse. Tout manquement a cette regle constitue un abus evident et expose son auteur au versement de dommages et interets. Tous droits de propriete industrielle reserves, notamment en matiere de brevets et de modesles.

Weitergabe sowie Vervielfältigung dieses Urteiles, Verwertung und Mitteilung desselben, insbesondere in irgendeiner Weise oder in irgendeiner Weise, ist nicht ausdreslich untersagt. Weiterverbreitung stellen eine offensichtliche Missbrauch dar und verpflichten zu Schadensersatz. Alle Rechte hier den Fall der Patenterteilung oder Gebrauchsmuster-Eintragung vorbehalten.