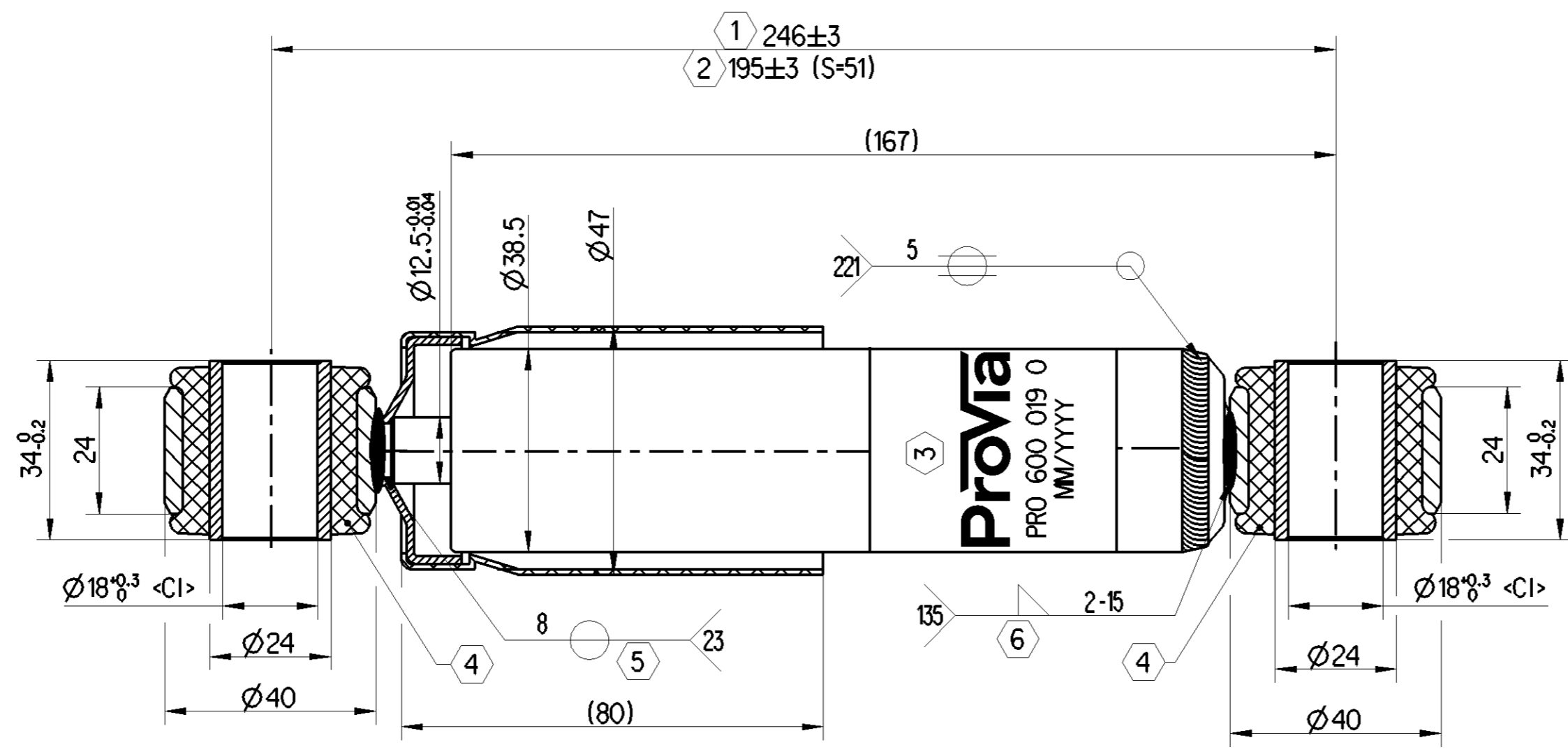


| | |
|---------------------------------|---|
| <1> SAFETY CHARACTERISTICS | 0 |
| <2> SIGNIFICANT CHARACTERISTICS | 0 |
| <CI> CUSTOMER INTERFACE | 2 |



| | |
|---|-------------------------------------------------------------------------------|
| 1 | MAX.REBOUND LENGTH |
| 2 | MIN.COMPRESSION LENGTH |
| 3 | MARKING DETAILS PROVIA LOGO PROVIA PART NUMBER DATE OF MANUFACTURING |
| 4 | HARDNESS OF RUBBER PARTS 60-70 HS |
| 5 | WELD STRENGTH 25KN |
| 6 | WELD STRENGTH 30KN |
| | COLOUR: RAL 9005B SEMI-BLACK |

Resistance force table of SAMPLE criterion - HYDRAULIC

| V (m/s) | 0.052 | 0.131 | 0.262 | 0.393 |
|-----------------|-------|--------------------|-------|---------|
| Rebound (N) | 389 | 1049/1749 | 1787 | 2070 |
| Compression (N) | 148 | 251/419 | 396 | 443 |
| S (mm) | 30 | GAS REACTION FORCE | | 90±20 N |

| | | | | | |
|---------------------------------------------------------------|---------------|------------------|-------------|---------------------------------|----------|
| General Specification: ISO 8015, JED-334-1, Size ISO 14405 LP | | Copyright WABCO® | | ProVia | |
| Further Technical Data: PRO 600 018 0 | | Date | Signature | | |
| Doc. Code: 035 | Sheet: 1 To 7 | 2023-01-17 | Saravanan | SHOCK ABSORBER | |
| General Tolerances JED-261 | | Checked | Manivannan | | |
| Range of Nominal Dimensions (± mm) | | Dimensions in mm | | Material No. | |
| Class 1) | ≤ 50 | > 50 ≤ 180 | > 180 ≤ 400 | > 400 | ±3° |
| Fine | ±0.5 | ±1 | ±1.5 | ±2 | ±3° |
| Medium | ±1 | ±2 | ±3 | ±4 | |
| Coarse | ±2 | ±3.5 | ±5 | ±6.5 | |
| Tapped Holes acc. - | | Mass | Scale | Date of first issue: 2023-01-17 | |
| 1) Tolerance Class Applied Crossmarked | | 1±0.5 kg | 1:1 | PRO 600 019 0 | |
| | | Size | CAD System | ECN-No. | Revision |
| | | A 2 | CREO | - | - |
| | | Replacment for | | Techn. Resp. | Sheet |
| | | 6961LAM | | - | 1/1 |

Non e permesso copiare, o terzi o riprodurre questo documento, ne utilizzare il contenuto o renderlo comunque noto a terzi senza autorizzazione esplicita. Ogni infrazione costituisce un evidente abuso e comportera il risarcimento dei danni subiti. E' fatta riserva di tutti i diritti derivanti da brevetti o modelli.

Touta communication ou reproduction de ce document, toute exploitation ou communication de son contenu sont interdites, sauf autorisation expresse. Tout manquement a cette regle constitue un abus evident et expose son auteur au versement de dommages et interets. Tous droits de propriete industrielle reserves, notamment en matiere de brevets et de modesles.

Copying of this document and giving it to others and the use or communication of the contents thereof, are forbidden without express authority. Contravention of this restriction will constitute an evident abuse and result in a liability to the payment of damages. All rights are reserved in the event of the grant of patent or registration of a utility model or design. This document is the subject of copyright.

Wiedergabe sowie Vervielfältigung dieses Urteiles, Verwertung und Mitteilung desselben ist nicht gestattet, soweit nicht ausdrücklich ansonsten, Zuerkennung, stellen einer offensichtlichen Missbrauch dar und verpflichten zu Schadensersatz. Alle Rechte hier den Fall der Patenterteilung oder Gebrauchsmuster-Eintragung vorbehalten.

A B

A B

C

D

E

F

G

H