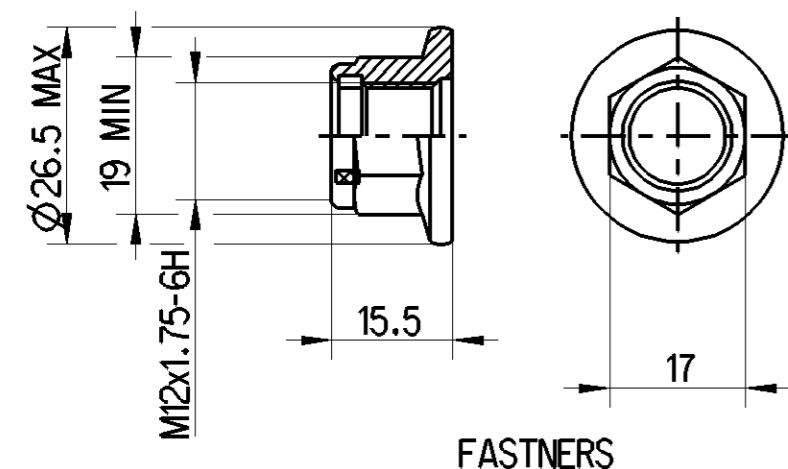
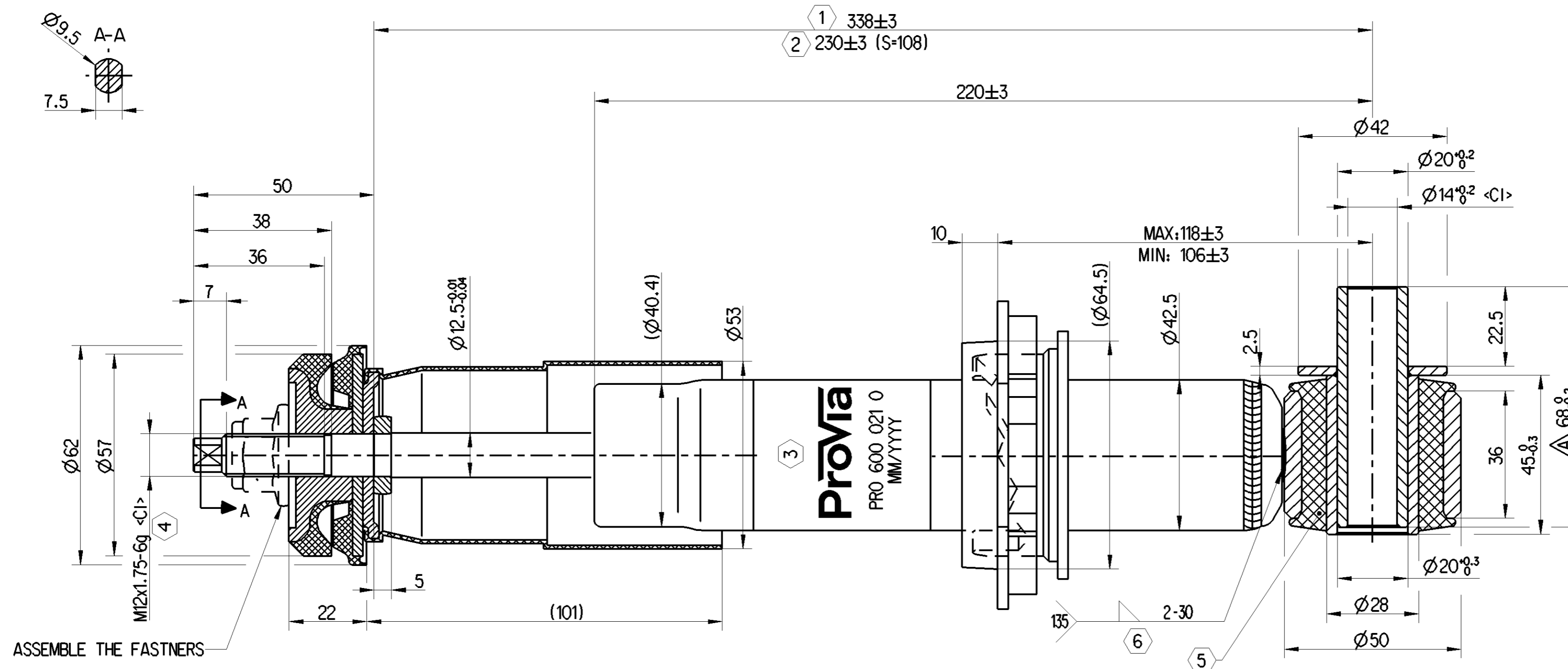


◁ SAFETY CHARACTERISTICS	0
⇨ SIGNIFICANT CHARACTERISTICS	0
<CI> CUSTOMER INTERFACE	2



1	MAX.REBOUND LENGTH
2	MIN.COMPRESSION LENGTH
3	MARKING DETAILS PROVIA LOGO PROVIA PART NUMBER DATE OF MANUFACTURING
4	TORQUE : 60 TO 65Nm FOR INSTALLATION
5	HARDNESS OF RUBBER PARTS 60-70 HS
6	WELD STRENGTH 35kN
	COLOUR: RAL 9005B SEMI-BLACK

Resistance force table of SAMPLE criterion - HYDRAULIC

V (m/s)	0.052	0.131	0.262	0.393	0.524
Rebound (N)	1058	1364/2274	2253	2635	2571/3479
Compression (N)	403	665/1109	1858	2699	2809/3801
S (mm)	100				

General Specification: ISO 8015, JED-334-1, Size ISO 14405 LP		Copyright WABCO®		ProVia	
Further Technical Data: PRO 600 018 0		Date	Signature		
Doc. Code: 035 Sheet: 1 To 7		2023-02-10		SHOCK ABSORBER	
General Tolerances JED-261		2023-02-14			
Range of Nominal Dimensions (± mm)		Checked			
Class 1)	≤ 50	> 50 ≤ 180	> 180 ≤ 400	> 400	
Fine	±0.5	±1	±1.5	±2	±3°
Medium	±1	±2	±3	±4	
Coarse	±2	±3.5	±5	±6.5	
Tapped Holes acc. -		Dimensions in mm			
1) Tolerance Class Applied Crossmarked		Mass	Scale	Material No.	Date of first issue: 2023-01-17
		2.1±0.5	1:1	PRO 600 021 0	Doc.Code Language Sheet
		A 2	CREO	005 EN 1/1	
		ECN-No.	Revision	Techn. Resp.	Replacement for
		513345	2x A	6961LAM	

Non e permesso copiare, o terzi o riprodurre questo documento, ne utilizzare il contenuto o renderlo comunque noto o terzi senza autorizzazione esplicita. Ogni infrazione costituisce un danno e comporta il risarcimento dei danni subiti. E' fatta riserva di tutti i diritti derivanti da brevetti o modelli.
 Toute communication ou reproduction de ce document, toute exploitation ou communication de son contenu sont interdites, sauf autorisation expresse. Tout manquement a cette regle constitue un abus et peut etre sanctionne par des dommages et interets. Tous droits de propriete industrielle reserves, notamment en matiere de brevets et de modesles.
 Weitergabe sowie Vervielfaltigung dieser Unterlagen, Verwertung und Mitteilung ihres Inhalts nicht gestattet, soweit nicht ausdrücklich ansonsten, weitergegeben, stellen eine offensichtliche Missbrauch dar und verpflichten zu Schadensersatz. Alle Rechte hier den Fall der Patenterteilung oder Gebrauchsmuster-Eintragung vorbehalten.

Copying of this document and giving it to others and the use or communication of the contents thereof, are forbidden without express authority. Contention of this restriction will constitute an evident abuse and result in a liability to the payment of damages. All rights are reserved in the event of the grant of patent or registration of a utility model or design. This document is the subject of copyright.