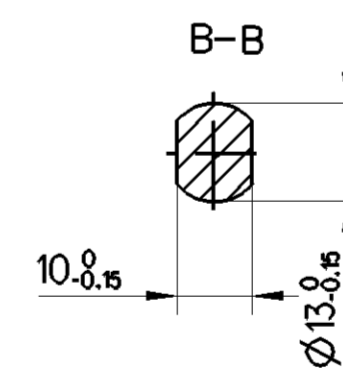
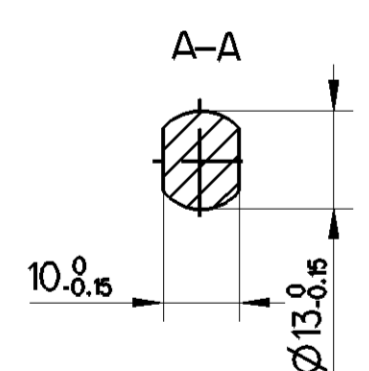
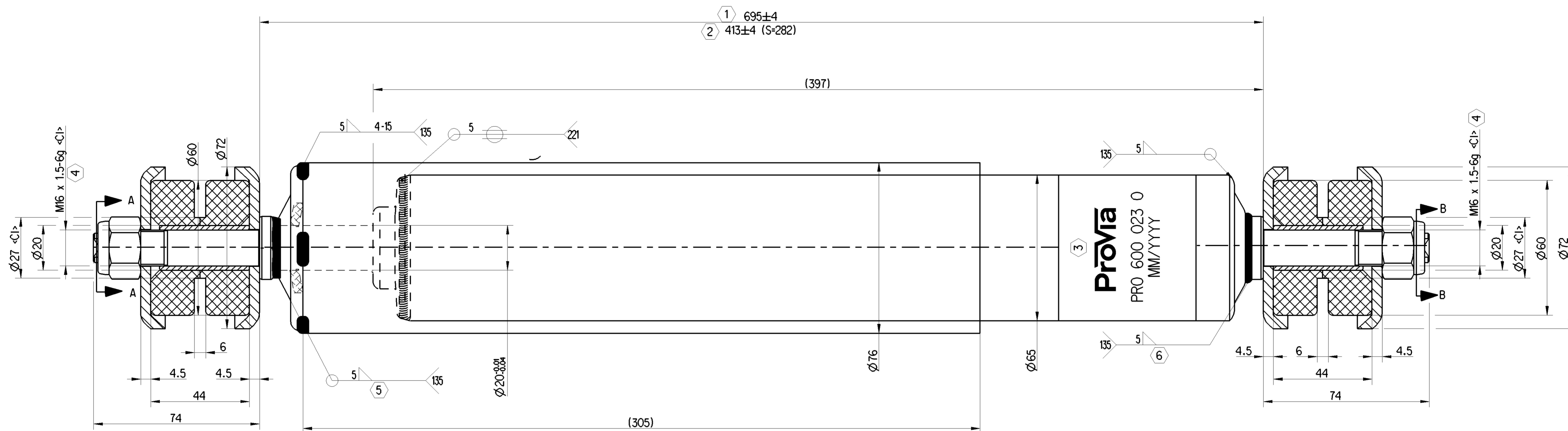


<I> SAFETY CHARACTERISTICS	0
<II> SIGNIFICANT CHARACTERISTICS	0
<CI> CUSTOMER INTERFACE	4



1	MAX.REBOUND LENGTH
2	MIN.COMPRESSION LENGTH
3	MARKING DETAILS PROVIA LOGO PROVIA PART NUMBER DATE OF MANUFACTURING
4	TORQUE: 75 TO 80 Nm FOR INSTALLATION
5	WELD STRENGTH 60KN
6	WELD STRENGTH 55KN
	COLOUR: RAL 9005B SEMI-BLACK

Resistance force table of SAMPLE criterion - HYDRAULIC

V (m/s)	0.052	0.131	0.262	0.393	0.524
Rebound (N)	619	2365/3943	4563	5022	4689/6345
Compression (N)	629	1222/2038	2511	2858	2704/3660
S (mm)			100		

General Specifications: ISO 8015, JED-334-1, Size ISO H405 LP		Copyright WABCO®	
Further Technical Data: PRO 600 023 0		Date	Signature
Doc. Code: O35	Sheet: 1 To 7	2023-02-10	Saravanan
General Tolerances JED-261		2023-02-14	
Range of Nominal Dimensions (± mm)		Manivannan	
Class	1) ≤ 50	> 50	> 180
Fine	±0.5	±1	±1.5
Medium	±1	±2	±3
Coarse	±2	±3.5	±6.5
Tapped Holes acc. -		Dimensions in mm	
Mass	5.3±1	Scale	1:1
Size	A 1	CAD System	CREO
Material No.		Date of first issue	2023-01-18
PRO 600 023 0		Doc.Code	005
Revision		Language	EN
513345		Techn. Resp.	6961LAM
A 1		Replacement for	

Non è permesso copiare o riprodurre questo documento, né utilizzare il contenuto o i marchi commerciali senza permesso scritto dalla WABCO. È vietata espressamente la ristampa o l'uso non autorizzato. Toute réimpression ou utilisation non autorisée sans la permission écrite de la WABCO est formellement interdite. Toute réimpression ou utilisation non autorisée sans la permission écrite de la WABCO est formellement interdite.