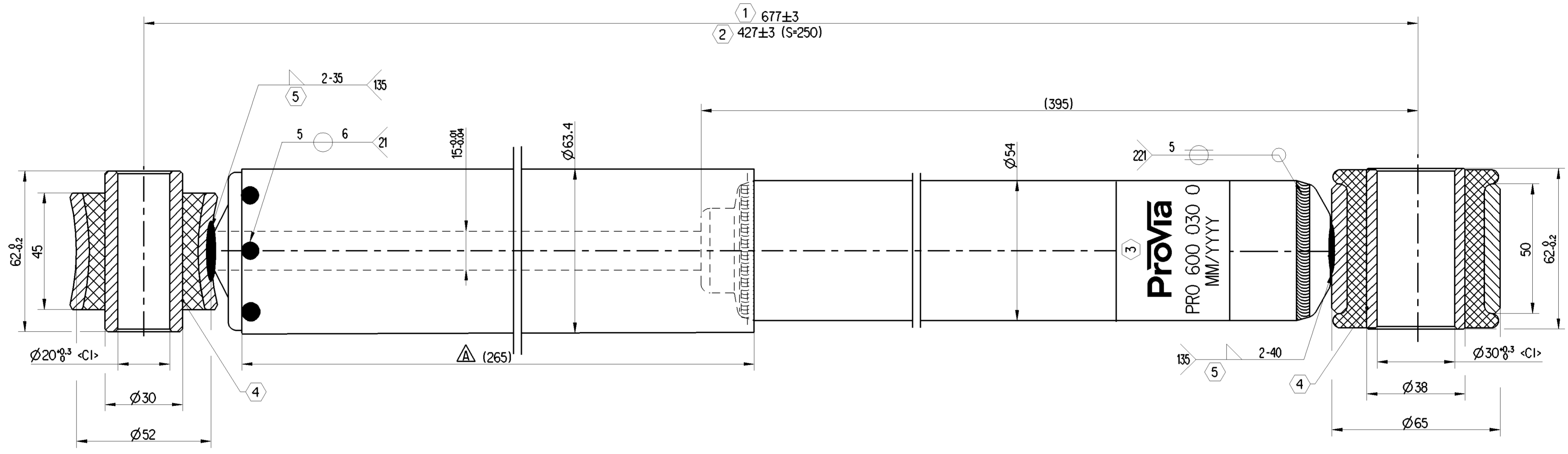


<P> SAFETY CHARACTERISTICS	0
<S> SIGNIFICANT CHARACTERISTICS	0
<CI> CUSTOMER INTERFACE	2



1	MAX.REBOUNDE LENGTH
2	MIN.COMPRESSION LENGTH
3	MARKING DETAILS PROVIA LOGO PROVIA PART NUMBER DATE OF MANUFACTURING
4	HARDNESS OF RUBBER PARTS 60-70 HS
5	WELD STRENGTH 45KN
	COLOUR: RAL 9005B SEMI-BLACK

Resistance force table of SAMPLE criterion - HYDRAULIC

V (m/s)	0.052	0.131	0.262	0.393	0.524
Rebound (N)	4105	4141/6903	6523	7301	6795/9195
Compression (N)	853	1096/1828	2158	2449	2296/3108
S (mm)			100		

General Specifications: ISO 8015, JED-334-1, Size ISO 14405 LP		Copyright WABCO®	
Further Technical Data: PRO 600 030 0		Date	Signature
Doc. Code: O35	Sheet: 1 To 7	2023-02-10	Saravanan
General Tolerances JED-261		2023-02-14	
Range of Nominal Dimensions (± mm)		Manivannan	
Class	1) ± 0.5	2) ± 0.5	3) ± 0.5
Fine	±0.5	±1	±1.5
Medium	±1	±2	±3
Coarse	±2	±3.5	±5
Tapped Holes acc. -		Dimensions in mm	
1) Tolerance Class Applied Crossmarked		Mass	Scale
		5.3±1	1:1
		kg	
		Size	CAD System
		A 1	CREO
		Material No.	
		PRO 600 030 0	
		Date of first issue:	2023-01-17
		Doc.Code	Language
		O05	EN
		Revision	Techn. Resp.
		513345	A
		Replacement for	
		6961AM	

Non è permesso copiare o riprodurre questo documento, né utilizzare il contenuto a fini commerciali, senza permesso scritto dalla WABCO. È vietata espressamente la ristampa o l'uso non autorizzato. Toute réimpression ou utilisation non autorisée sans la permission écrite de la WABCO est formellement interdite. Toute utilisation non autorisée sera considérée comme une violation des droits de propriété intellectuelle. All rights reserved. No part of this document may be reproduced, stored in a retrieval system, or transmitted, in any form or by any means, electronic, mechanical, photocopying, recording, or by any information storage and retrieval system, without the prior written permission of WABCO.