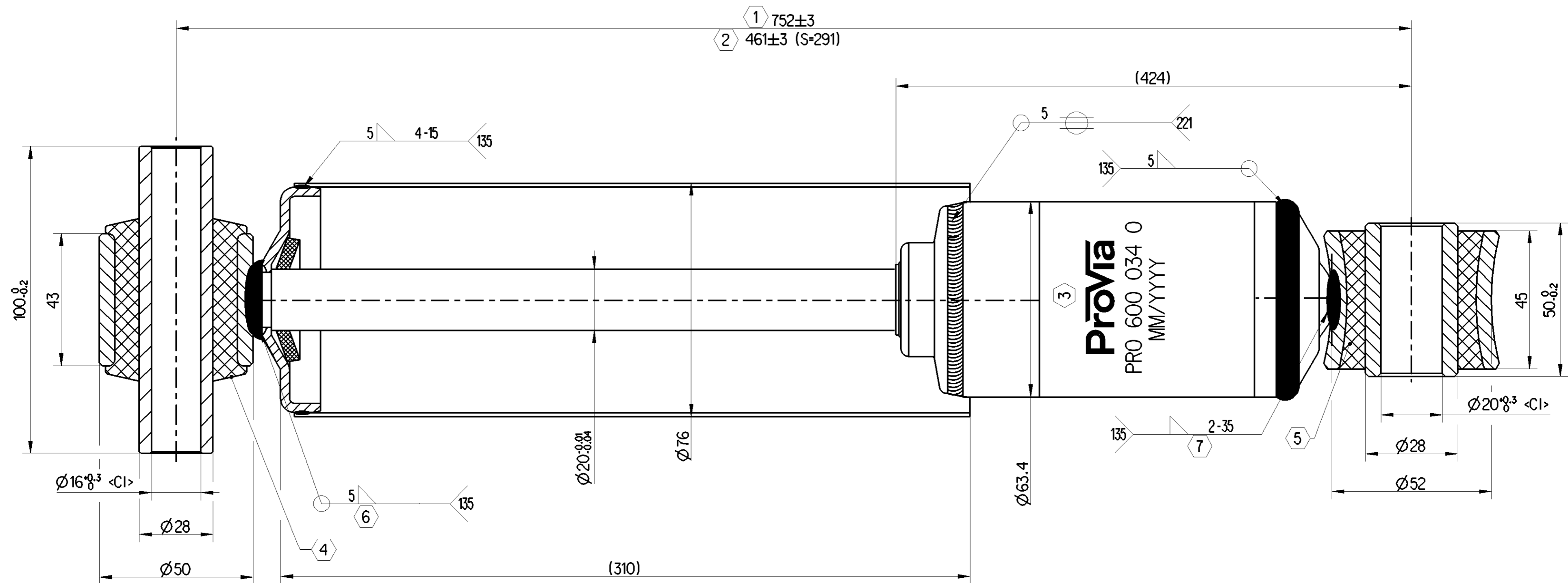


<1> SAFETY CHARACTERISTICS	0
<2> SIGNIFICANT CHARACTERISTICS	0
<CI> CUSTOMER INTERFACE	2



Non e permesso copiare, o terzi o riprodurre questo documento, ne utilizzare il contenuto o renderlo comunque noto a terzi senza autorizzazione esplicita. Ogni infrazione costituisce un evidente abuso e comporterà il risarcimento dei danni subiti. E' fatta riserva di tutti i diritti derivanti da brevetti o modelli.

Copying of this document and giving it to others and the use or communication of the contents thereof, are forbidden without express authority. Contravention of this restriction will constitute an evident abuse and result in a liability to the payment of damages. All rights are reserved in the event of the grant of patent or registration of a utility model or design. This document is the subject of copyright.

Toute communication ou reproduction de ce document, faite explicitement ou communication de son contenu sans autorisation, sans autorisation expresse. Tout manquement a cette regle constitue un abus evident et expose son auteur au versement de dommages et interets. Tous droits de propriete industrielle reserves, notamment en matiere de brevets et de modesles.

Wiederholung sowie Vervielfältigung dieser Unterlagen, Verwertung und Mitteilung ihres Inhalts nicht gestattet, soweit nicht ausdrücklich ansonsten, zweckmäßigem, stellen einen offensichtlichen Missbrauch dar und verpflichten zu Schadensersatz. Alle Rechte für den Fall der Patenterteilung oder Gebrauchsmuster-Eintragung vorbehalten.

1	MAX.REBOUND LENGTH
2	MIN.COMPRESSION LENGTH
3	MARKING DETAILS PROVIA LOGO PROVIA PART NUMBER DATE OF MANUFACTURING
4	HARDNESS OF RUBBER PARTS 65-70 HS
5	HARDNESS OF RUBBER PARTS 60-70 HS
6	WELD STRENGTH 60KN
7	WELD STRENGTH 55KN
	COLOUR: RAL 9005B SEMI-BLACK

Resistance force table of SAMPLE criterion - HYDRAULIC

V (m/s)	0.052	0.131	0.262	0.393	0.524
Rebound (N)	1838	5526/9212	8364	8919	8058/10902
Compression (N)	1005	1142/1904	1748	1953	1851/2505
S (mm)	100				

General Specification: ISO 8015, JED-334-1, Size ISO 14405 LP		Copyright WABCO®		ProVia	
Further Technical Data: PRO 600 018 0		Date _____ Signature _____			
Doc. Code: 035 Sheet: 1 To 7		2023-01-17 Saravanan		SHOCK ABSORBER	
General Tolerances JED-261		2023-01-17 Manivannan			
Range of Nominal Dimensions (± mm)		Dimensions in mm		Material No.	
Class 1)	≤ 50 > 50 ≤ 180 > 180 ≤ 400 > 400	Mass	Scale	Date of first issue: 2023-01-17	
Fine	±0.5 ±1 ±1.5 ±2	5.3±1	1:1	Doc.Code Language Sheet	
Medium	±1 ±2 ±3 ±4	Kg		PRO 600 034 0	
Coarse	±2 ±3.5 ±5 ±6.5	Size	CAD System	005 EN 1/1	
Tapped Holes acc. -		A 2 CREO		ECN-No. Revision Techn. Resp. Replacement for	
1) Tolerance Class Applied Crossmarked				6961LAM	

100mm