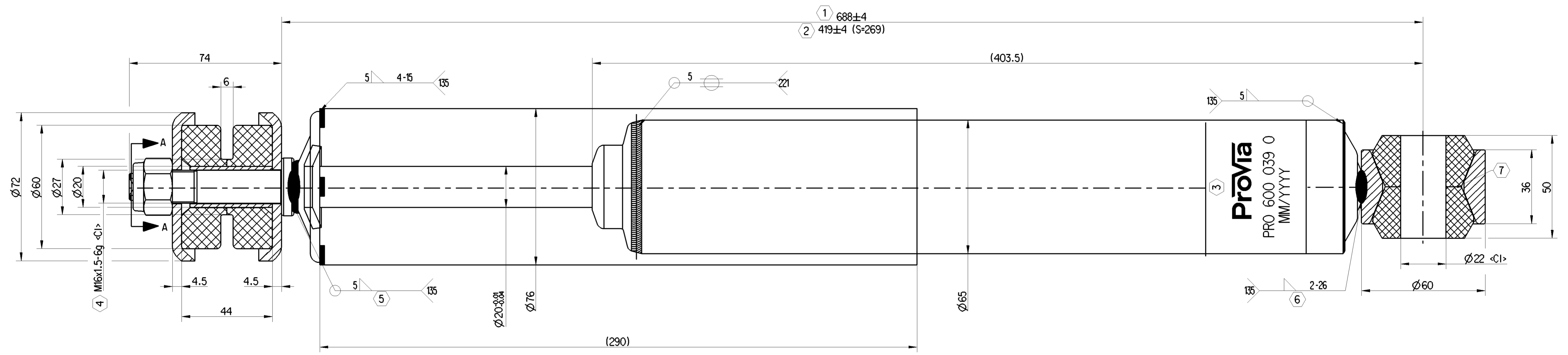
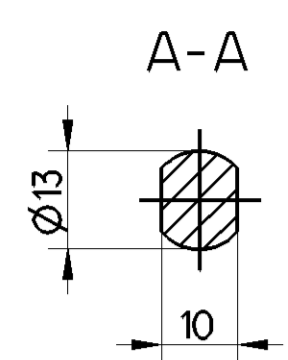


<1> SAFETY CHARACTERISTICS	0
<2> SIGNIFICANT CHARACTERISTICS	0
<CI> CUSTOMER INTERFACE	2



- 1 MAX.REBOUND LENGTH
- 2 MIN.COMPRESSION LENGTH
- 3 MARKING DETAILS
PROVIA LOGO
PROVIA PART NUMBER
DATE OF MANUFACTURING
- 4 TORQUE: 75 TO 80 Nm FOR INSTALLATION
- 5 WELD STRENGTH 60KN
- 6 WELD STRENGTH 55KN
- 7 TWO BUSHES USED IN THE ASSEMBLY
COLOUR: RAL 9005B SEMI-BLACK

Non e permesso copiare o riprodurre questo documento, ne utilizzare il contenuto o renderlo comunque noto a terzi.
 Toute reproduction ou utilisation de son contenu sans autorisation est formellement interdite.
 Toute réimpression ou utilisation non autorisée sans la permission écrite de la Société est formellement interdite.
 Copring of this document and giving it to others and the use or communication of the contents thereof, are forbidden without express
 permission of the manufacturer. Any reproduction or unauthorized use of the contents of this document is the subject of copyright.
 Alle Rechte für den Fall der Patentierung oder Gebrauchsmuster-Erteilung vorbehalten.

Resistance force table of SAMPLE criterion - HYDRAULIC

V (m/s)	0.052	0.131	0.262	0.393	0.524
Rebound (N)	832	3175/5293	7667	8296	7556/10224
Compression (N)	435	957/1595	1651	1853	1750/2368
S (mm)	100				

General Specifications: ISO 8015, JED-334-1, Size ISO H405 LP		Copyright WABCO®	
Further Technical Data: PRO 600 018 0		Date	Signature
Doc. Code: 035	Sheet: 1 To 7	2023-02-14	Saravanan
General Tolerances JED-261		2023-02-15	Manivannan
Range of Nominal Dimensions (± mm)		Dimensions in mm	
Class	1) ≤ 50	> 50 < 180	> 180 < 400
Fine	±0.5	±1	±1.5
Medium	±1	±2	±3
Coarse	±2	±3.5	±5
Tapped Holes acc. -		±3°	
1) Tolerance Class Applied Crossmarked		Mass	Scale
		5.3±1	1:1
		kg	
		Size	CAD System
		A 1	CREO
		Material No.	
		PRO 600 039 0	
		Date of first issue:	2023-01-17
		Doc.Code	Language
		005	EN
		Revision	Techn. Resp.
		2x	A
		Replacement for	
		696LAM	