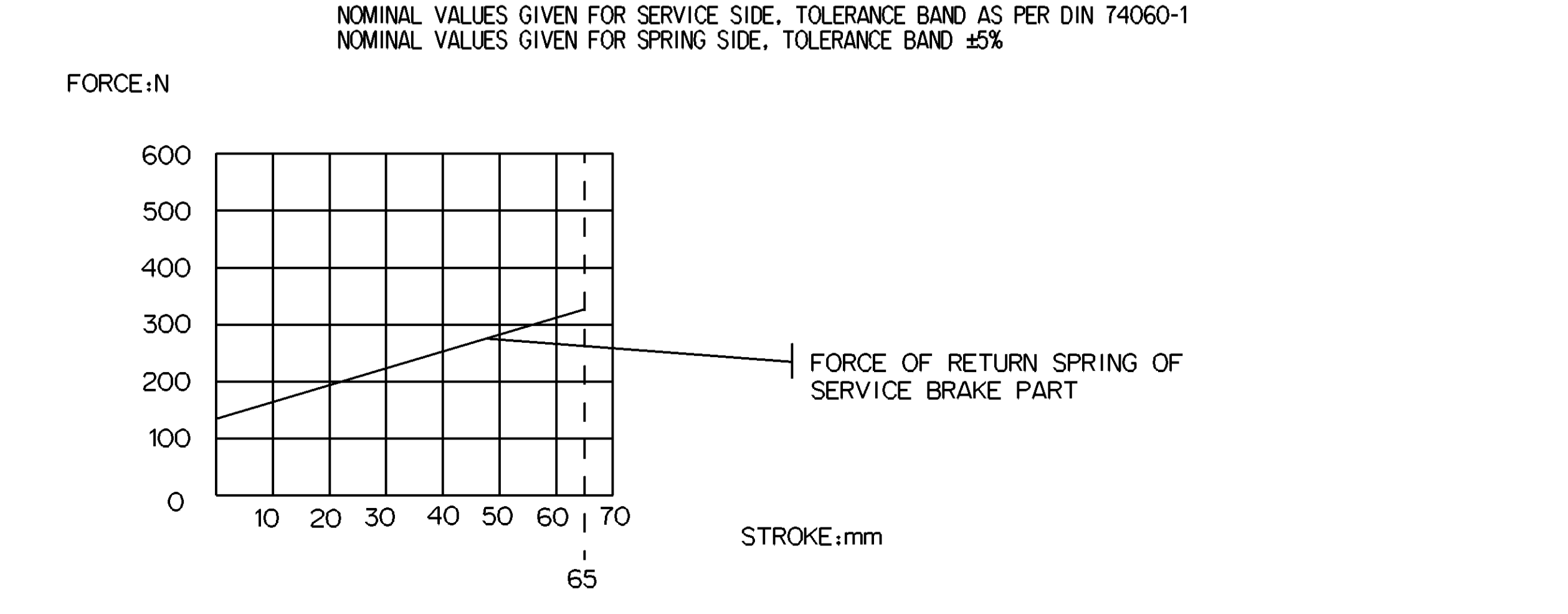
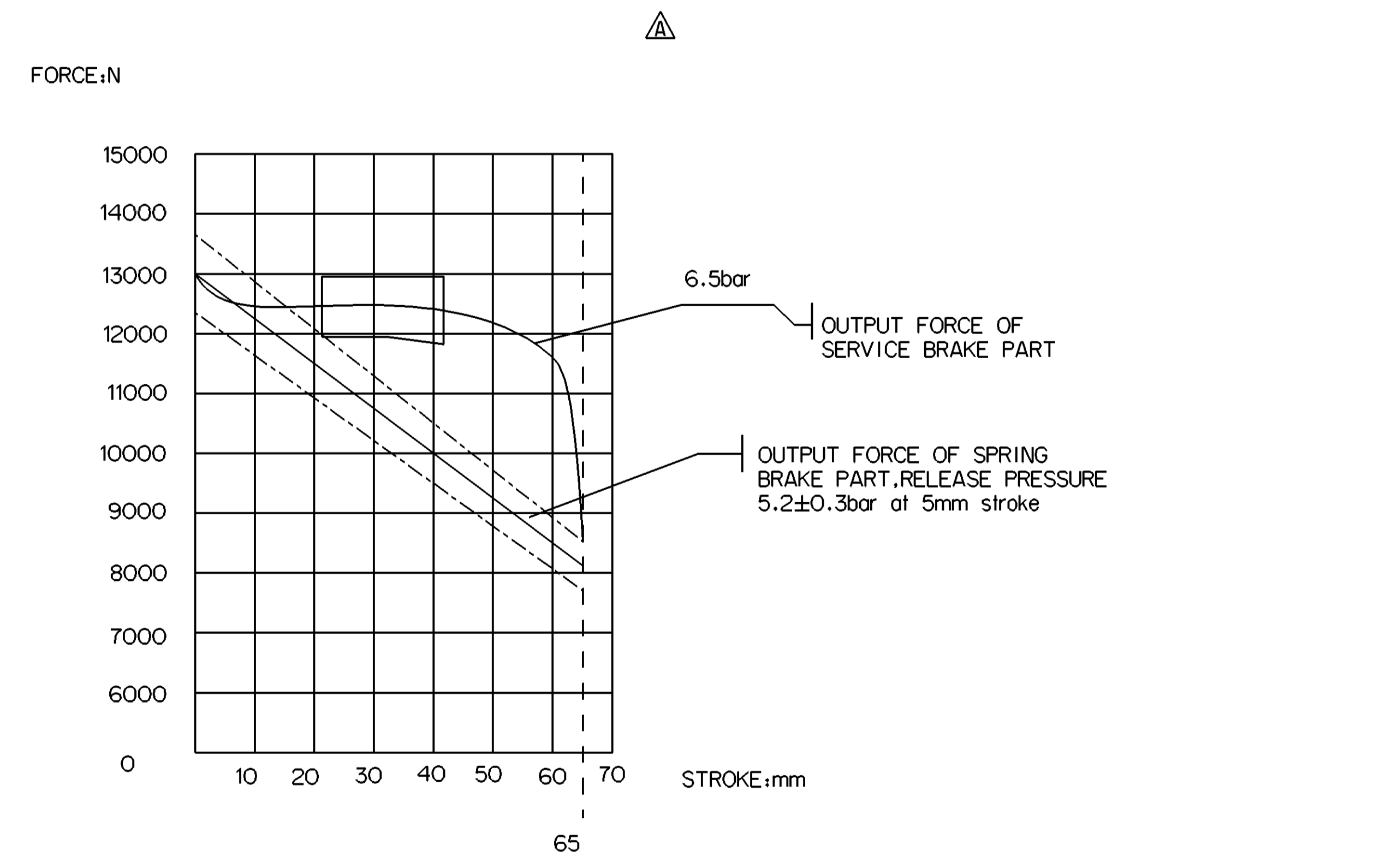
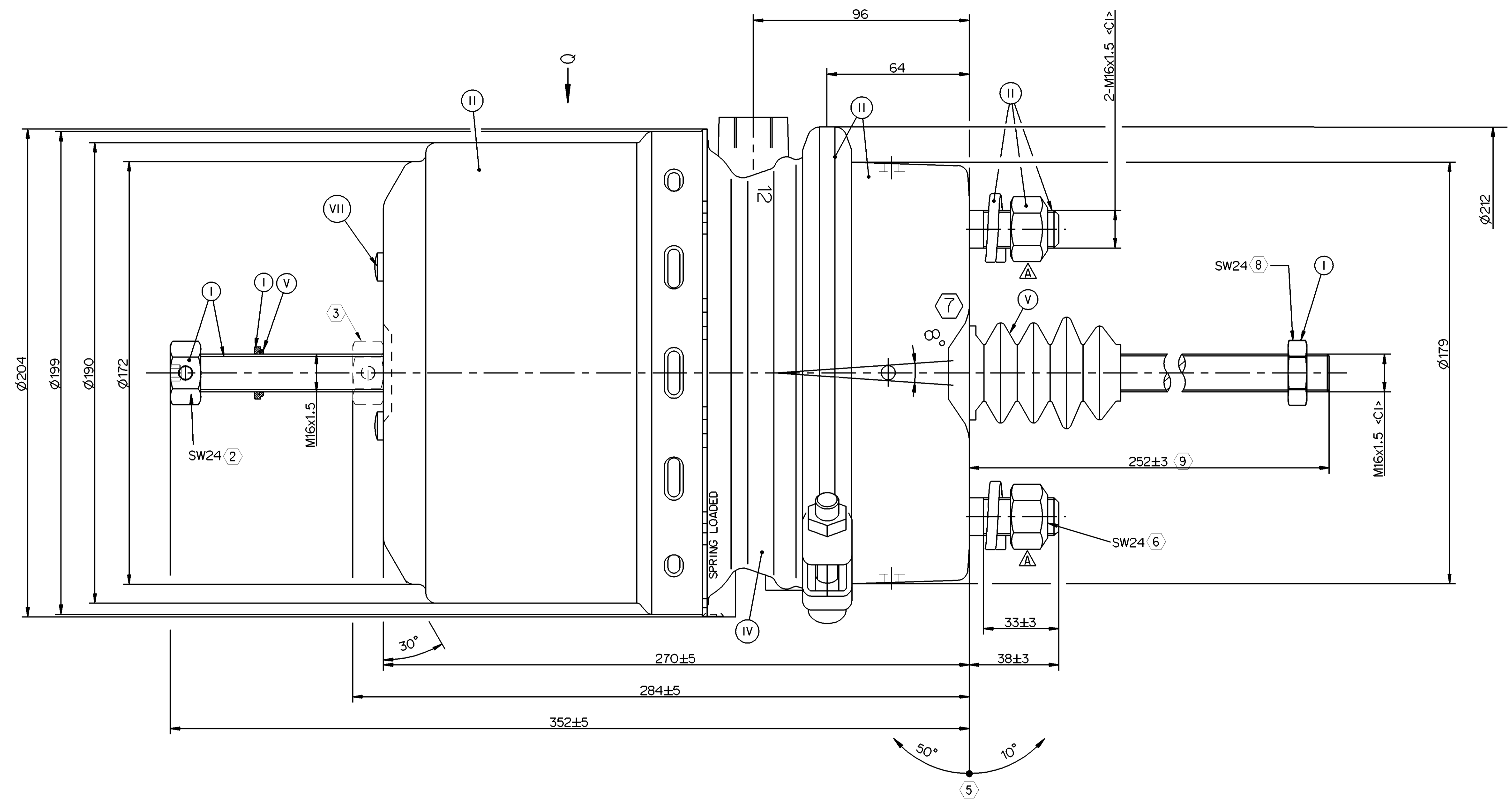
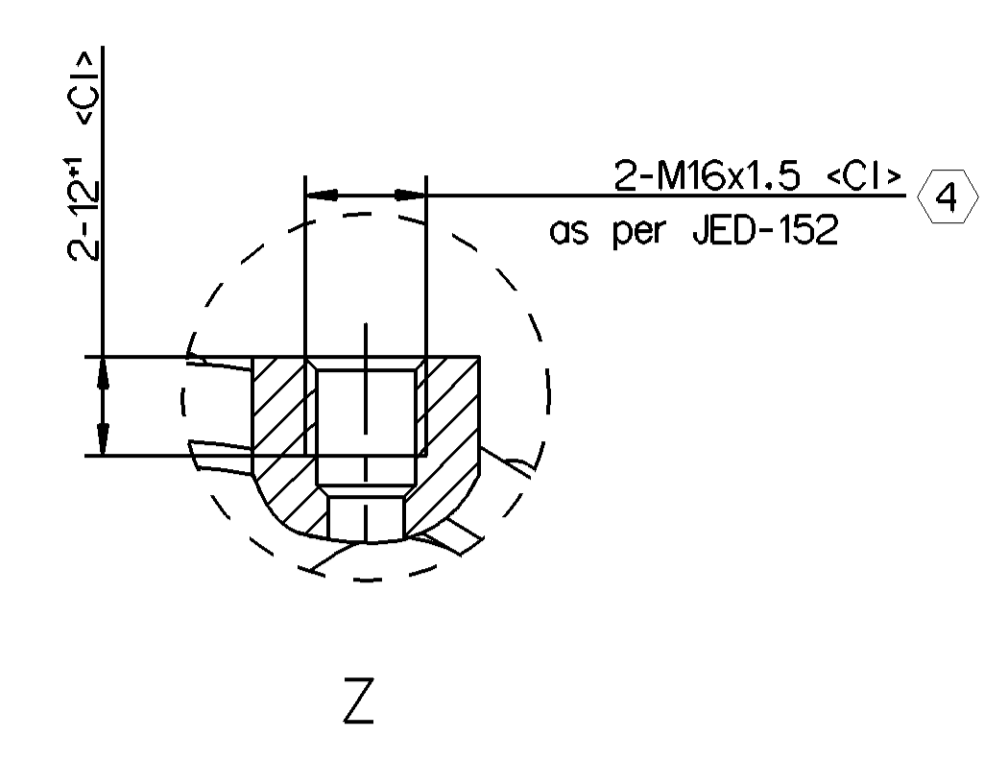
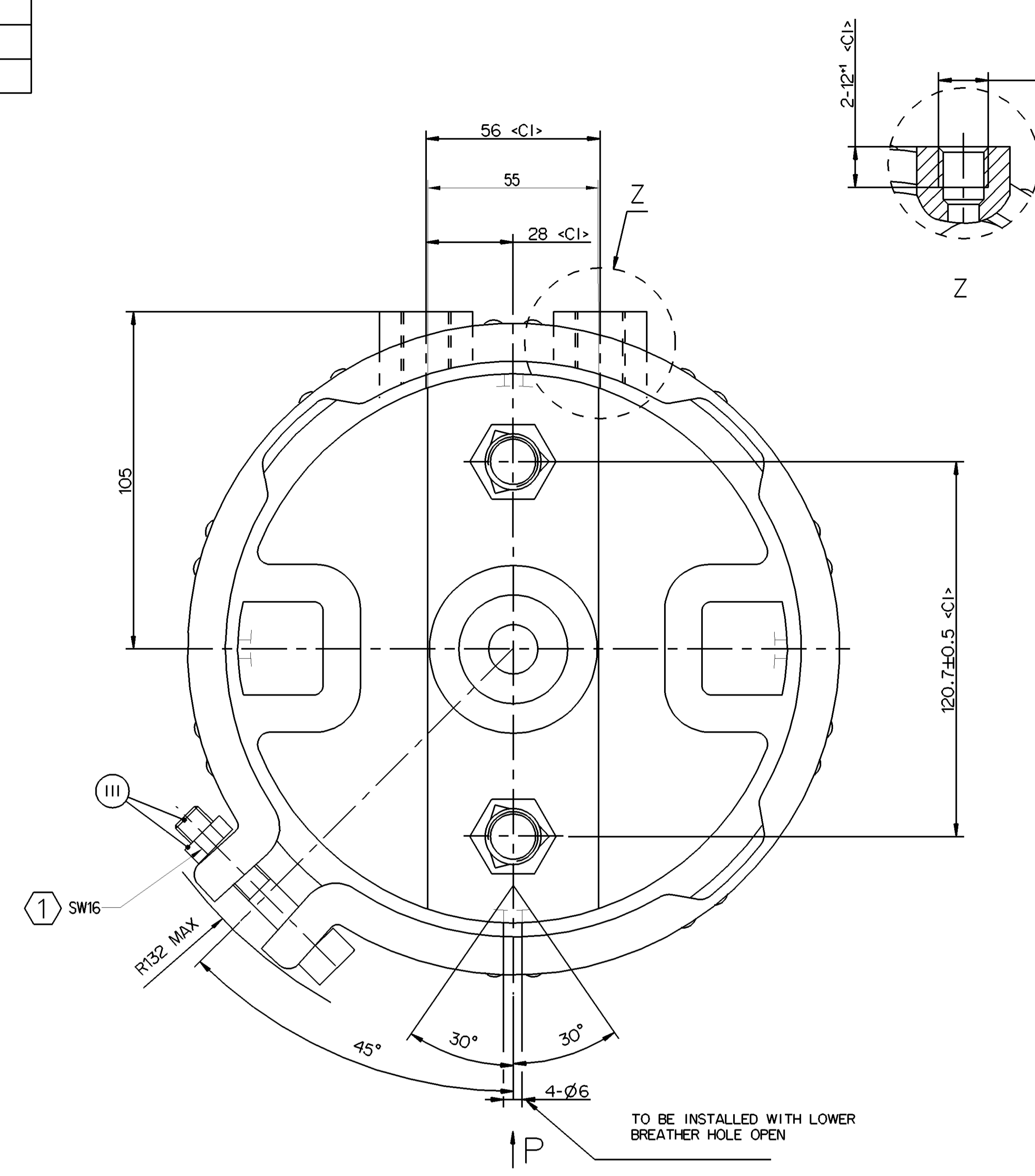


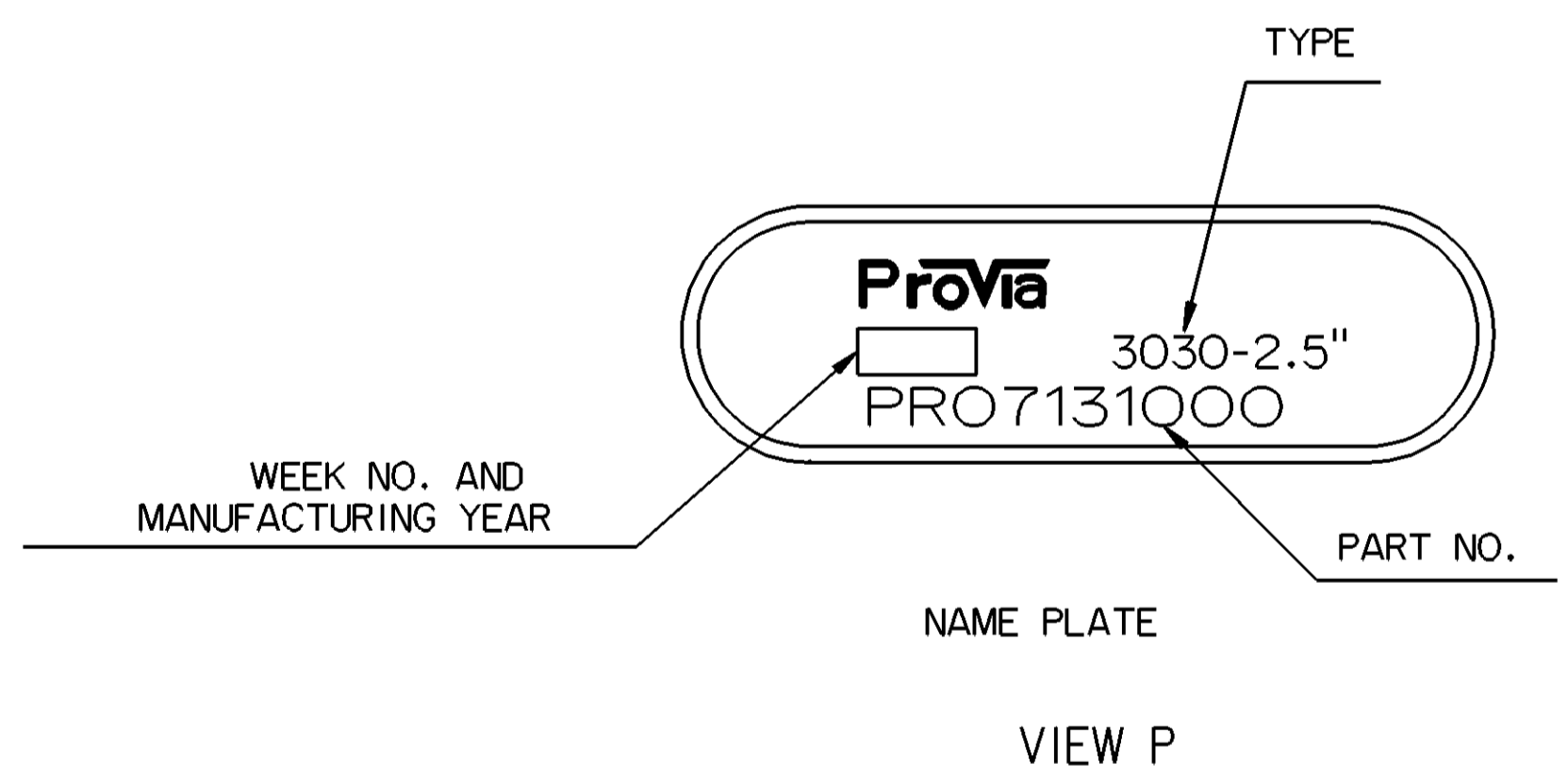
SURFACE PROTECTION	
I	ZINC PLATED WITH CR6+ FREE
II	ELECTRO-PAINTING
III	DACROMET
IV	SURFACE OXIDIZATION
V	RUBBER
VI	STICKERS
VII	BLACKENING

SAFETY CHARACTERISTICS	0
SIGNIFICANT CHARACTERISTICS	0
CUSTOMER INTERFACE	7



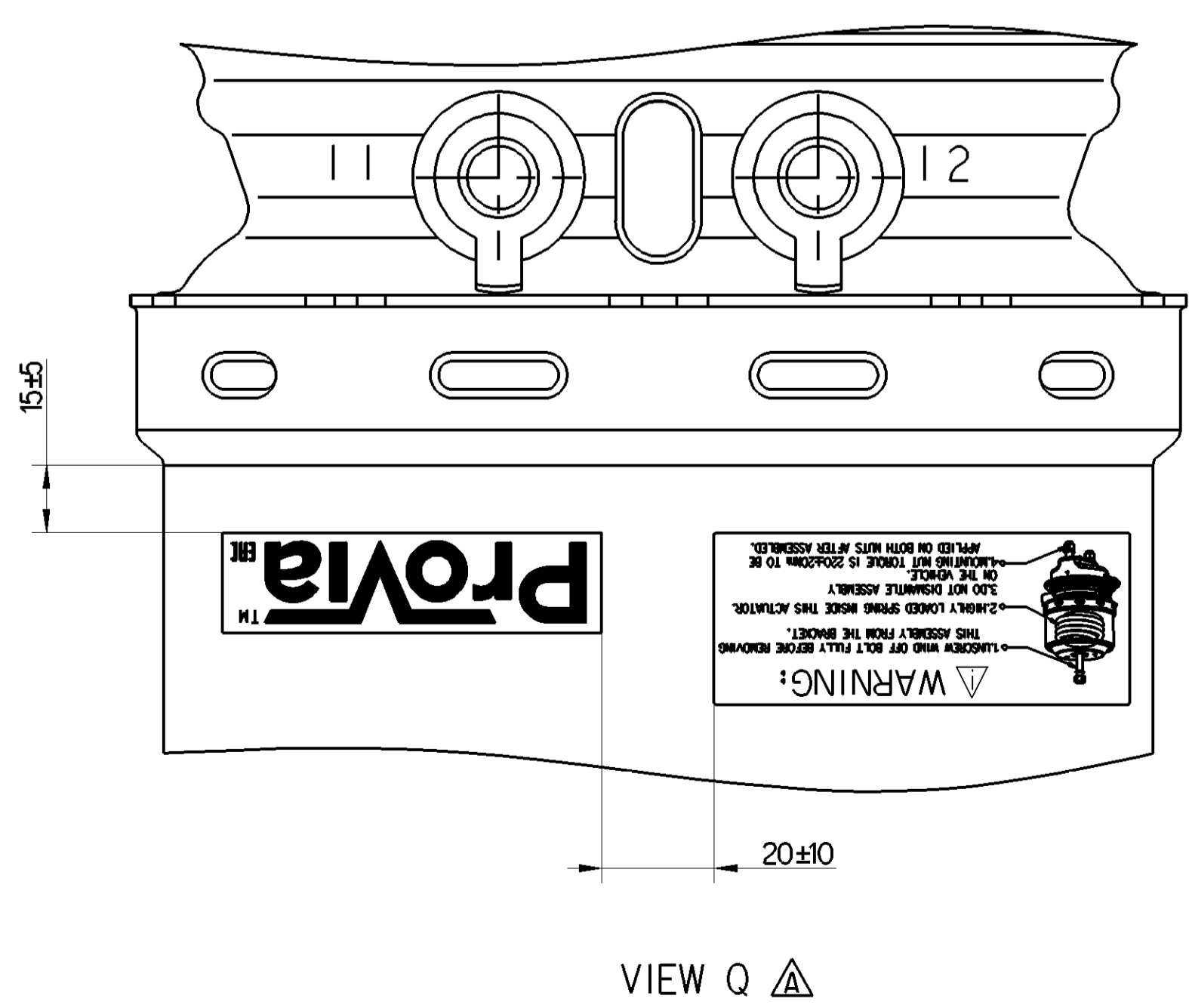
NOMINAL VALUES GIVEN FOR SERVICE SIDE, TOLERANCE BAND AS PER DIN 74060-1
 NOMINAL VALUES GIVEN FOR SPRING SIDE, TOLERANCE BAND ±5%

GRAPHS FOR INFORMATION ONLY

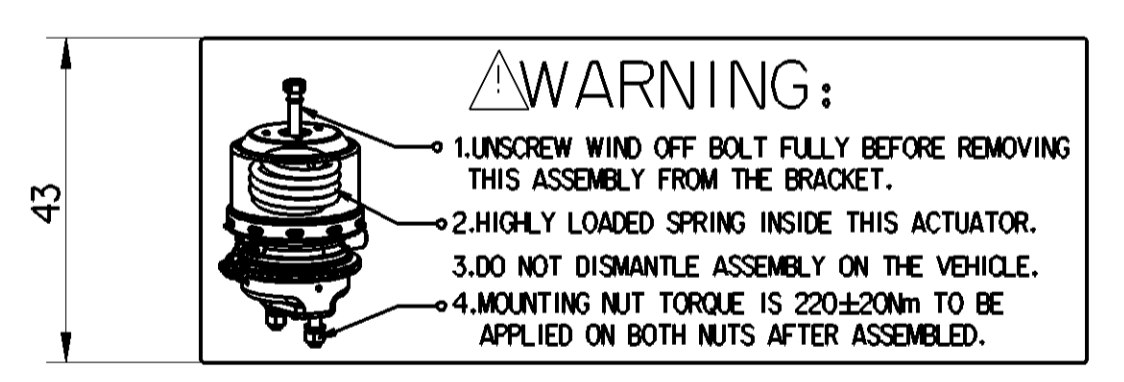


- ① TORQUE: ≥35Nm
- ② RELEASE POSITION, RELEASING WITH: 80Nm MAX.
- ③ DRIVING POSITION, TIGHTENING WITH: 25²⁰0 Nm
- ④ TORQUE: MAX. 34Nm
- ⑤ ADMISSIBLE INSTALLATION POSITION
- ⑥ TORQUE: 210⁰ 30 Nm
- ⑦ DEFLECTION: 8° MAX AT STROKE: 0 mm
- ⑧ TORQUE: 70±10Nm
- ⑨ RELEASE POSITION, STAND-OUT DIMENSION

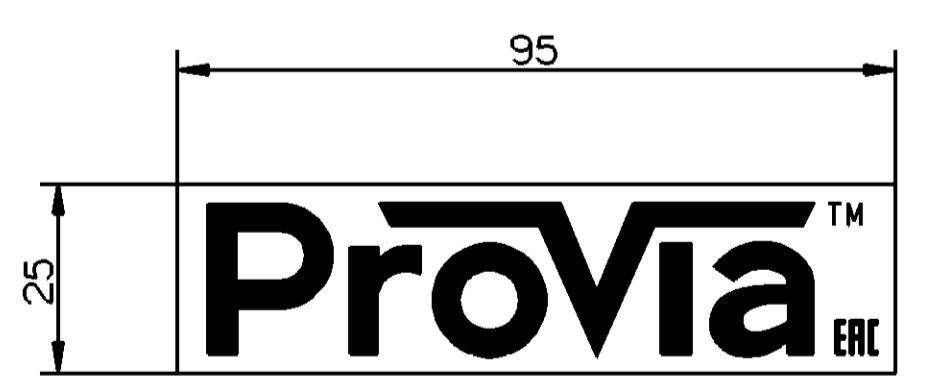
- TECHNICAL REQUIREMENT:
1. STROKE:
 SERVICE BRAKE: ≥65mm
 SPRING BRAKE: ≥65mm;
 2. WORKING PRESSURE:
 SERVICE CHAMBER: Pmax 10.2 bar, TEMPORARILY 13 Bar;
 PARKING CHAMBER: Pmax 8.5 bar, TEMPORARILY 11 Bar.
 3. WORKING TEMPERATURE: -40°C...+80°C; (-40°F...+176°F);
 4. THE DRAWING IS AT CAGED CONDITION, THE PARKING CHAMBER WILL BE AT UNCAGED CONDITION DURING SHIPMENT. ⚠
 5. WORKING MEDIUM: AIR.



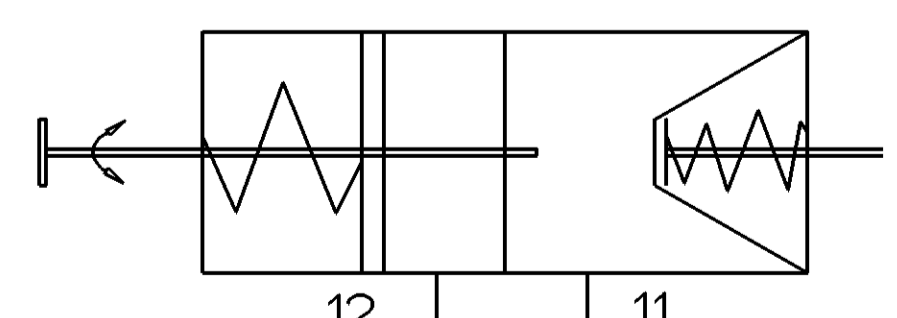
VIEW Q ⚠



STICKER A ⚠



STICKER B ⚠



CIRCUIT DIAGRAM

General Specification: ISO 8768, JED-104-1, Size (S) 14105 LP		Copyright ©		ProVia	
Further Technical Data: PRO 713 100 0	Date: 2023-07-18	Sheet: 1	To: 6	Doc. Code: 0350	Version: 1
Class: 10.9	Material: NTS	Manufacturer: Varglesh	Manufacturer: Manivernan	Product: TRISTOP - BRAKE ACTUATOR	Revision: 005
File: 10.9	Medium: ±0.05	Size: 12	Course: ±0.2	Standard: EN 1/1	Sheet: 1/1
Class: 10.9	Material: NTS	Manufacturer: Varglesh	Manufacturer: Manivernan	Product: TRISTOP - BRAKE ACTUATOR	Revision: 005
File: 10.9	Medium: ±0.05	Size: 12	Course: ±0.2	Standard: EN 1/1	Sheet: 1/1