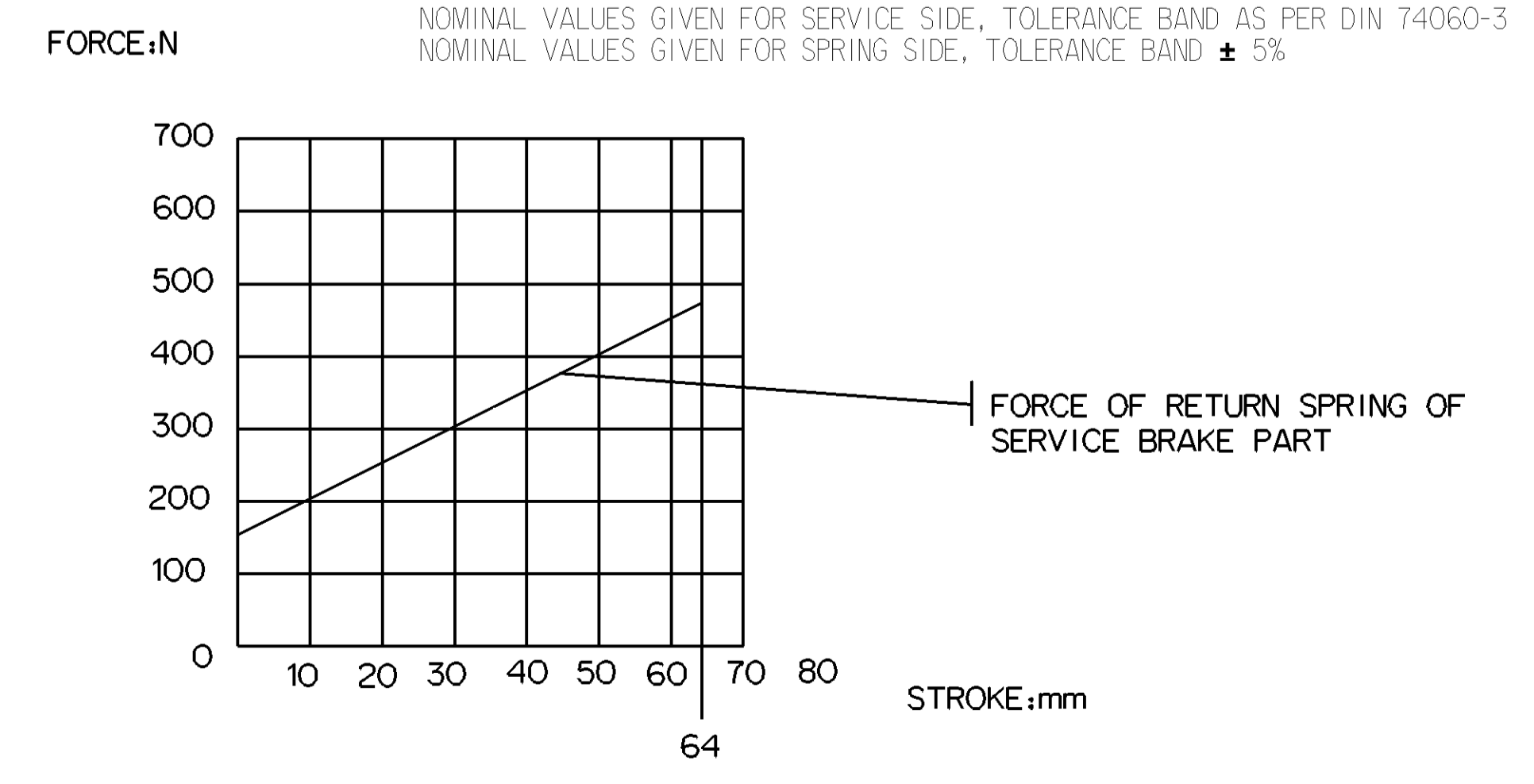
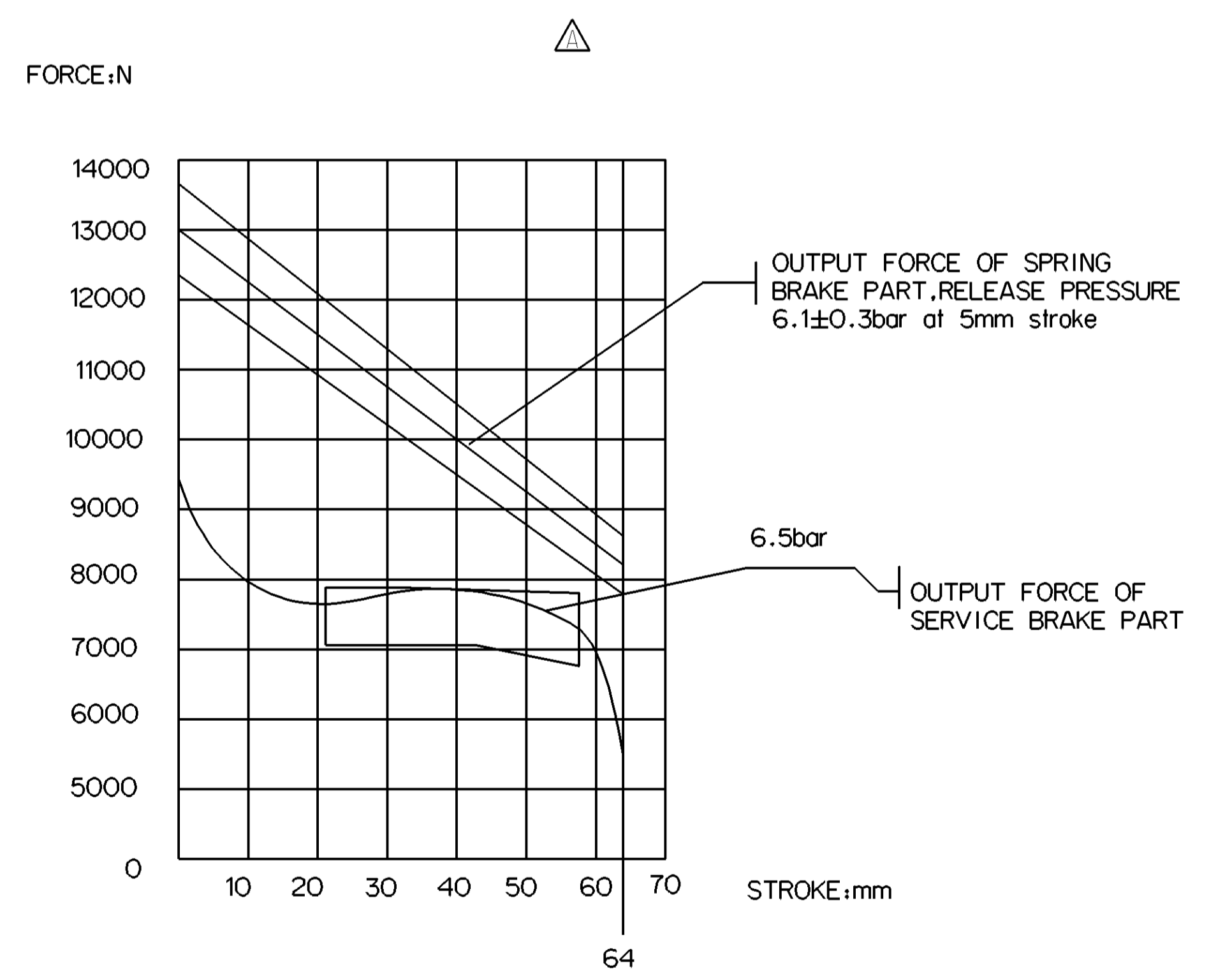
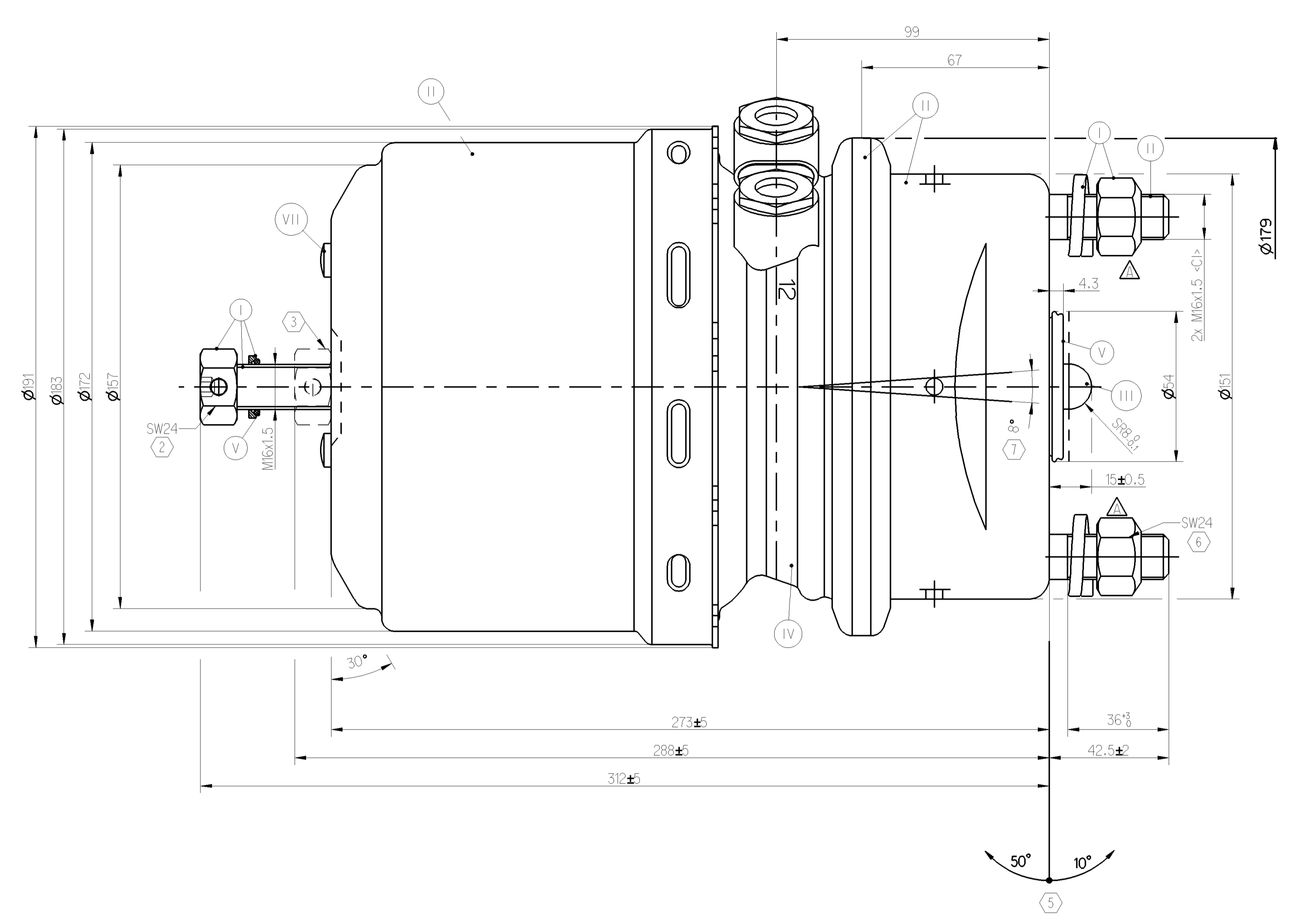
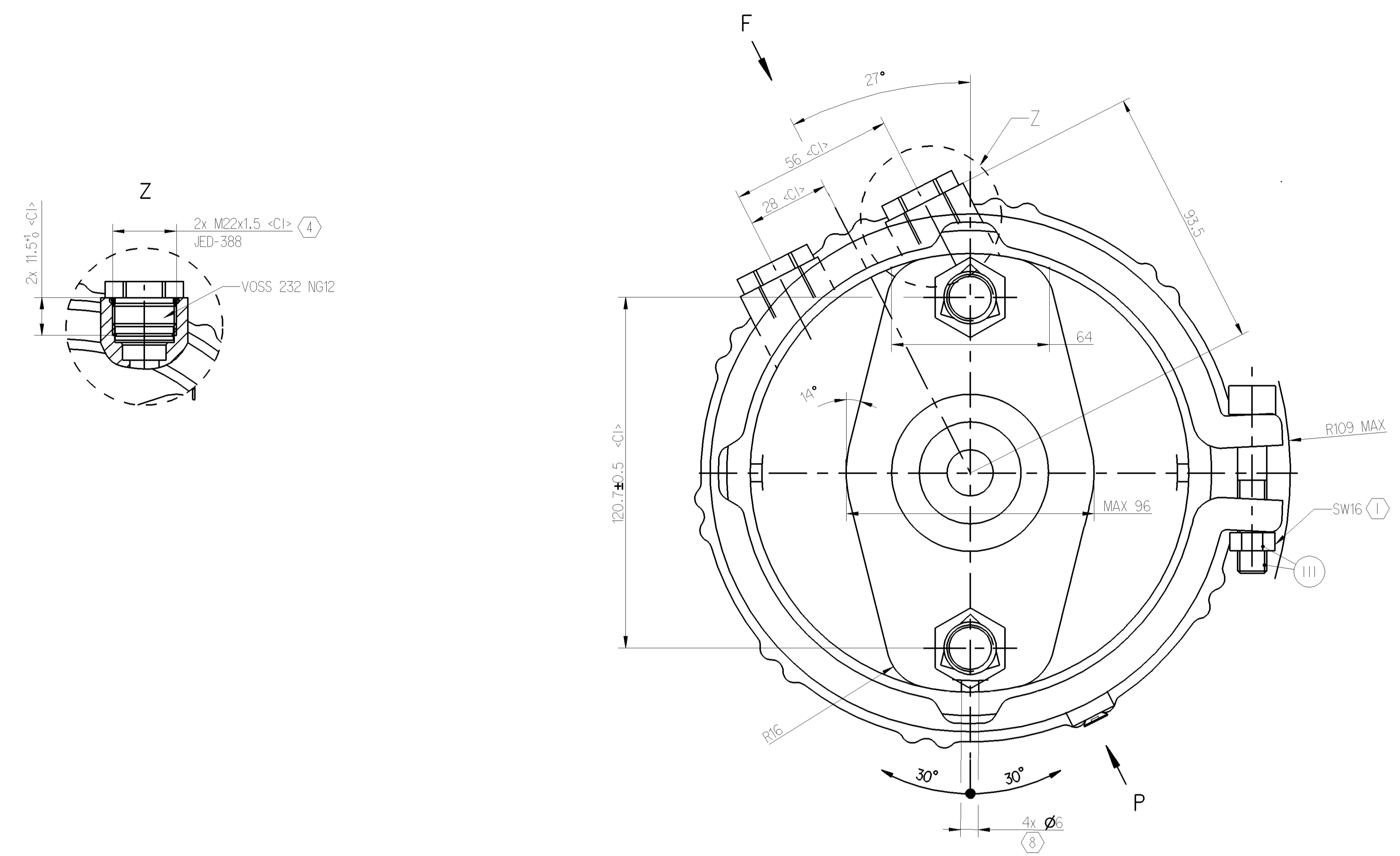


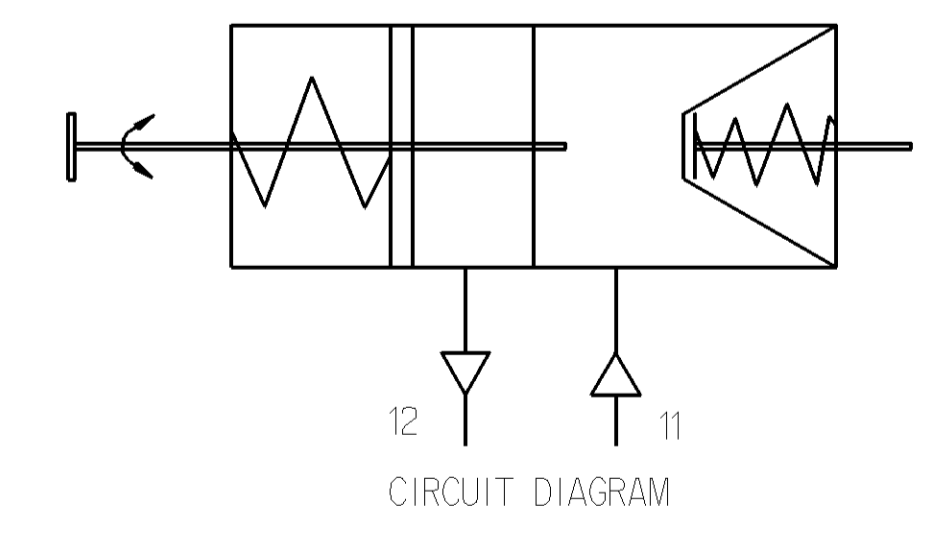
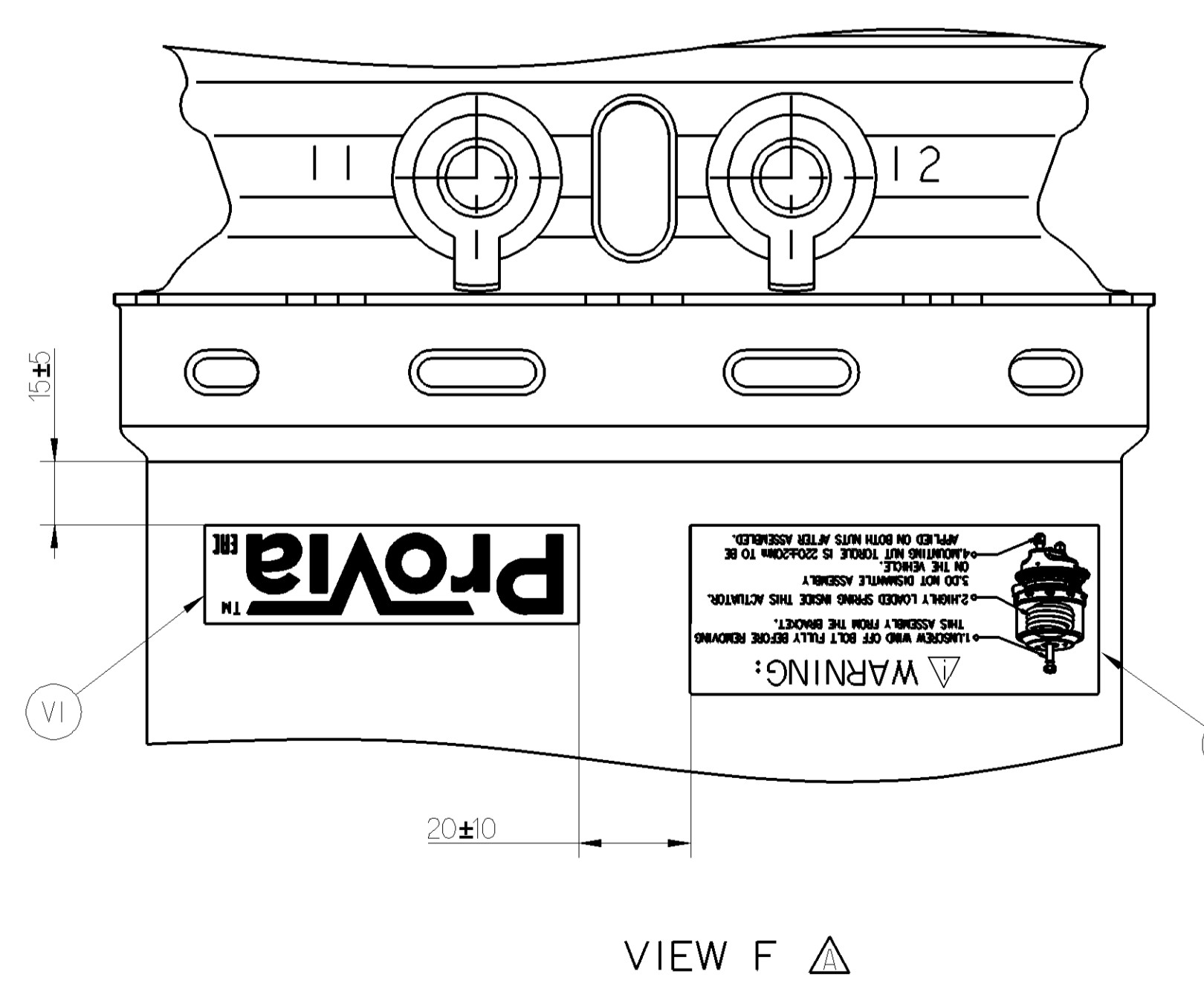
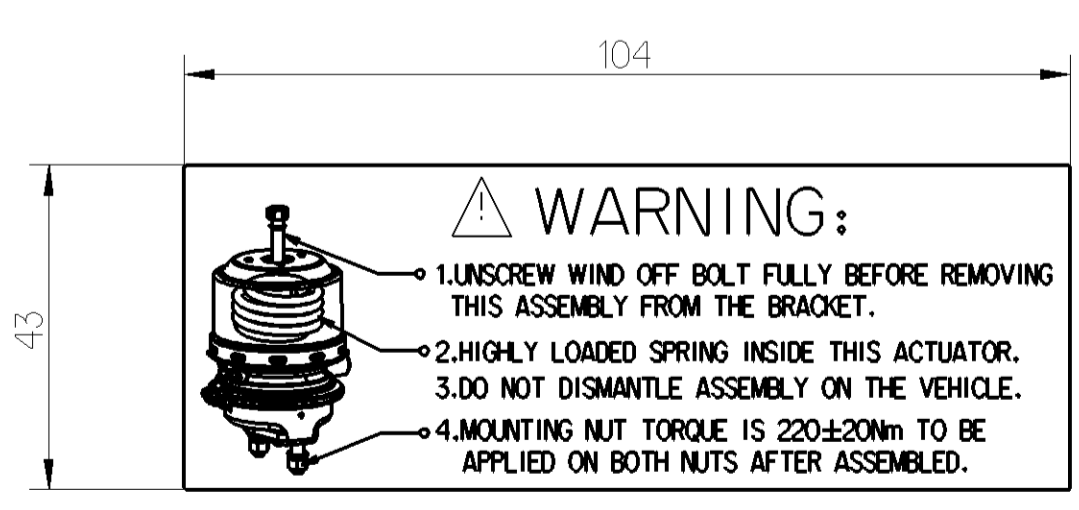
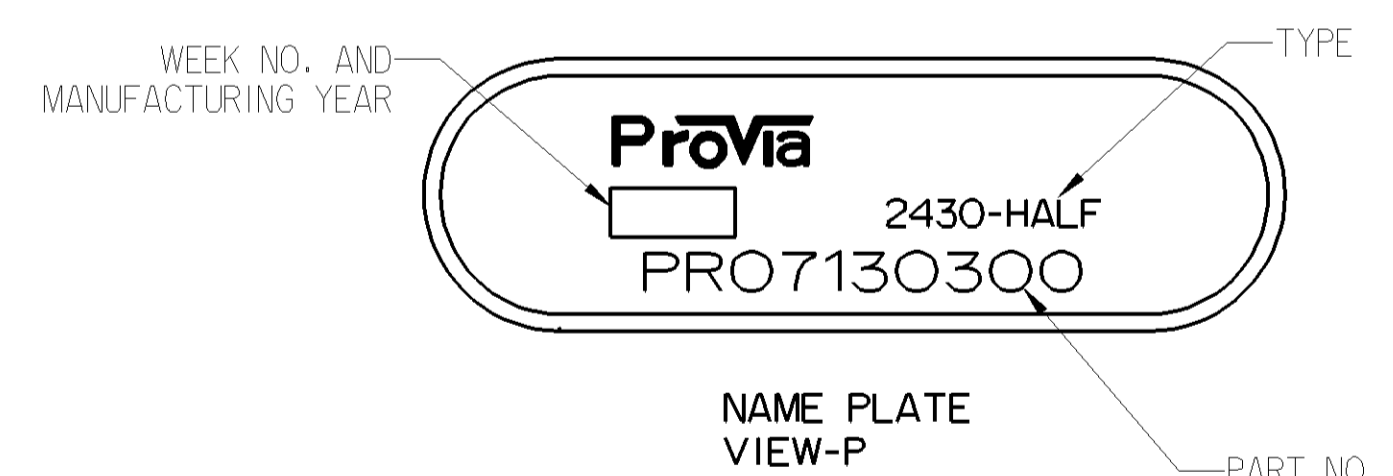
SURFACE PROTECTION	
I	ZINC PLATED WITH CR6+ FREE
II	ELECTRO-PAINTING
III	DACROMET
IV	SURFACE OXIDIZATION
V	RUBBER
VI	STICKERS
VII	BLACKENING

SAFETY CHARACTERISTICS	0
SIGNIFICANT CHARACTERISTICS	0
CUSTOMER INTERFACE	6



- ① TORQUE:  $\geq 35\text{Nm}$
- ② RELEASE POSITION, RELEASING WITH: 80Nm MAX.
- ③ DRIVING POSITION, TIGHTENING WITH:  $25\frac{0}{-5}\text{Nm}$
- ④ TORQUE: MAX. 34Nm
- ⑤ ADMISSIBLE INSTALLATION POSITION
- ⑥ TORQUE:  $210\frac{0}{-30}\text{Nm}$
- ⑦ DEFLECTION: 8° MAX AT STROKE: 0 mm
- ⑧ TO BE INSTALLED WITH LOWER BREATHER HOLE OPEN

- TECHNICAL REQUIREMENT:**
- STROKE:  
SERVICE BRAKE:  $\geq 64\text{mm}$   
SPRING BRAKE:  $\geq 64\text{mm}$
  - WORKING PRESSURE:  
SERVICE CHAMBER: Pmax 10,2 bar, TEMPORARILY 13 bar;  
PARKING CHAMBER: Pmax 8,5 bar, TEMPORARILY 11 bar.
  - WORKING TEMPERATURE:  $-40^{\circ}\text{C} \dots +80^{\circ}\text{C}$ ;  $(-40^{\circ}\text{F} \dots +176^{\circ}\text{F})$
  - THE DRAWING IS AT CAGED CONDITION. THE PARKING CHAMBER WILL BE AT UNCAGED CONDITION DURING SHIPMENT.
  - WORKING MEDIUM: AIR.



General Specification: ISO 8768, IED-354-1, Size 031 14410 LP		Copyright ©		ProVia	
Doc. Code: 030	Sheet: 1 To 6	Date: 2023-10-24	Drawn: Varghesh	TRISTOP - BRAKE ACTUATOR 20/24	
Class: 1	General Tolerance: IED-261	Checked: 2023-10-25	Manuscript	Revision: 005 EN 1/1	
File: 1	Range of Nominal Dimensions (I a mm)	Dimensions in mm	Medium: X	PRO 713 030 0	Date of first issue: 2020-03-31
Course: 14	1 - 50	9,6	NTS	Doc. Code: 030	Sheet: 1/1
	50 - 80	14		Revision: 005	EN 1/1
	80 - 100	±0.1		Tricks: Reg.	
	100 - 150	±0.15		Replacement for	
	150 - 200	±0.2			
	200 - 300	±0.3			
	300 - 400	±0.4			
	400 - 500	±0.5			
	500 - 630	±0.6			
	630 - 800	±0.8			
	800 - 1000	±1.0			
	1000 - 1250	±1.2			
	1250 - 1600	±1.5			
	1600 - 2000	±2.0			
	2000 - 2500	±2.5			
	2500 - 3150	±3.0			
	3150 - 4000	±4.0			
	4000 - 5000	±5.0			
	5000 - 6300	±6.3			
	6300 - 8000	±8.0			
	8000 - 10000	±10.0			
	10000 - 12500	±12.5			
	12500 - 16000	±16.0			
	16000 - 20000	±20.0			
	20000 - 25000	±25.0			
	25000 - 31500	±31.5			
	31500 - 40000	±40.0			
	40000 - 50000	±50.0			
	50000 - 63000	±63.0			
	63000 - 80000	±80.0			
	80000 - 100000	±100.0			
	100000 - 125000	±125.0			
	125000 - 160000	±160.0			
	160000 - 200000	±200.0			
	200000 - 250000	±250.0			
	250000 - 315000	±315.0			
	315000 - 400000	±400.0			
	400000 - 500000	±500.0			
	500000 - 630000	±630.0			
	630000 - 800000	±800.0			
	800000 - 1000000	±1000.0			
	1000000 - 1250000	±1250.0			
	1250000 - 1600000	±1600.0			
	1600000 - 2000000	±2000.0			
	2000000 - 2500000	±2500.0			
	2500000 - 3150000	±3150.0			
	3150000 - 4000000	±4000.0			
	4000000 - 5000000	±5000.0			
	5000000 - 6300000	±6300.0			
	6300000 - 8000000	±8000.0			
	8000000 - 10000000	±10000.0			
	10000000 - 12500000	±12500.0			
	12500000 - 16000000	±16000.0			
	16000000 - 20000000	±20000.0			
	20000000 - 25000000	±25000.0			
	25000000 - 31500000	±31500.0			
	31500000 - 40000000	±40000.0			
	40000000 - 50000000	±50000.0			
	50000000 - 63000000	±63000.0			
	63000000 - 80000000	±80000.0			
	80000000 - 100000000	±100000.0			
	100000000 - 125000000	±125000.0			
	125000000 - 160000000	±160000.0			
	160000000 - 200000000	±200000.0			
	200000000 - 250000000	±250000.0			
	250000000 - 315000000	±315000.0			
	315000000 - 400000000	±400000.0			
	400000000 - 500000000	±500000.0			
	500000000 - 630000000	±630000.0			
	630000000 - 800000000	±800000.0			
	800000000 - 1000000000	±1000000.0			
	1000000000 - 1250000000	±1250000.0			
	1250000000 - 1600000000	±1600000.0			
	1600000000 - 2000000000	±2000000.0			
	2000000000 - 2500000000	±2500000.0			
	2500000000 - 3150000000	±3150000.0			
	3150000000 - 4000000000	±4000000.0			
	4000000000 - 5000000000	±5000000.0			
	5000000000 - 6300000000	±6300000.0			
	6300000000 - 8000000000	±8000000.0			
	8000000000 - 10000000000	±10000000.0			
	10000000000 - 12500000000	±12500000.0			
	12500000000 - 16000000000	±16000000.0			
	16000000000 - 20000000000	±20000000.0			
	20000000000 - 25000000000	±25000000.0			
	25000000000 - 31500000000	±31500000.0			
	31500000000 - 40000000000	±40000000.0			
	40000000000 - 50000000000	±50000000.0			
	50000000000 - 63000000000	±63000000.0			
	63000000000 - 80000000000	±80000000.0			
	80000000000 - 100000000000	±100000000.0			
	100000000000 - 125000000000	±125000000.0			
	125000000000 - 160000000000	±160000000.0			
	160000000000 - 200000000000	±200000000.0			
	200000000000 - 250000000000	±250000000.0			
	250000000000 - 315000000000	±315000000.0			
	315000000000 - 400000000000	±400000000.0			
	400000000000 - 500000000000	±500000000.0			
	500000000000 - 630000000000	±630000000.0			
	630000000000 - 800000000000	±800000000.0			
	800000000000 - 1000000000000	±1000000000.0			
	1000000000000 - 1250000000000	±1250000000.0			
	1250000000000 - 1600000000000	±1600000000.0			
	1600000000000 - 2000000000000	±2000000000.0			
	2000000000000 - 2500000000000	±2500000000.0			
	2500000000000 - 3150000000000	±3150000000.0			
	3150000000000 - 4000000000000	±4000000000.0			
	4000000000000 - 5000000000000	±5000000000.0			
	5000000000000 - 6300000000000	±6300000000.0			
	6300000000000 - 8000000000000	±8000000000.0			
	8000000000000 - 10000000000000	±10000000000.0			
	10000000000000 - 12500000000000	±12500000000.0			
	12500000000000 - 16000000000000	±16000000000.0			
	16000000000000 - 20000000000000	±20000000000.0			
	20000000000000 - 25000000000000	±25000000000.0			
	25000000000000 - 31500000000000	±31500000000.0			
	31500000000000 - 40000000000000	±40000000000.0			
	40000000000000 - 50000000000000	±50000000000.0			
	50000000000000 - 63000000000000	±63000000000.0			
	63000000000000 - 80000000000000	±80000000000.0			
	80000000000000 - 100000000000000	±100000000000.0			
	100000000000000 - 125000000000000	±125000000000.0			
	125000000000000 - 160000000000000	±160000000000.0			
	160000000000000 - 200000000000000	±200000000000.0			
	200000000000000 - 250000000000000	±250000000000.0			
	250000000000000 - 315000000000000	±315000000000.0			
	315000000000000 - 400000000000000	±400000000000.0			
	400000000000000 - 500000000000000	±500000000000.0			
	500000000000000 - 630000000000000	±630000000000.0			
	630000000000000 - 800000000000000	±800000000000.0			
	800000000000000 - 1000000000000000	±1000000000000.0			
	1000000000000000 - 1250000000000000	±1250000000000.0			
	1250000000000000 - 1600000000000000	±1600000000000.0			
	1600000000000000 - 2000000000000000	±2000000000000.0			
	2000000000000000 - 2500000000000000	±2500000000000.0			
	2500000000000000 - 3150000000000000	±3150000000000.0			
	3150000000000000 - 4000000000000000	±4000000000000.0			
	4000000000000000 - 5000000000000000	±5000000000000.0			
	5000000000000000 - 6300000000000000	±6300000000000.0			
	6300000000000000 - 8000000000000000	±8000000000000.0			
	8000000000000000 - 10000000000000000	±10000000000000.0			
	10000000000000000 - 12500000000000000	±12500000000000.0			
	12500000000000000 - 16000000000000000	±16000000000000.0			
	16000000000000000 - 20000000000000000	±200000000			