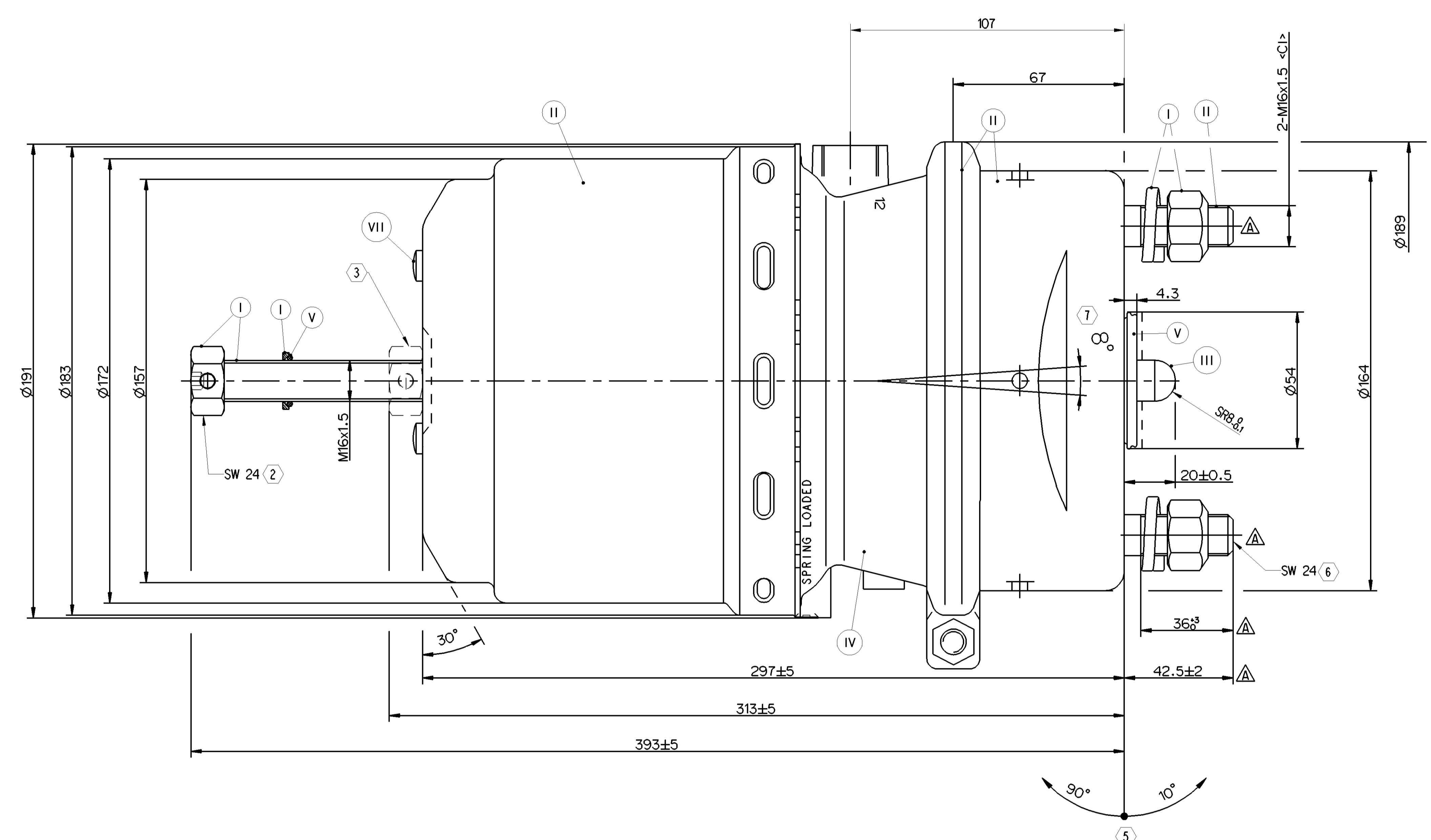
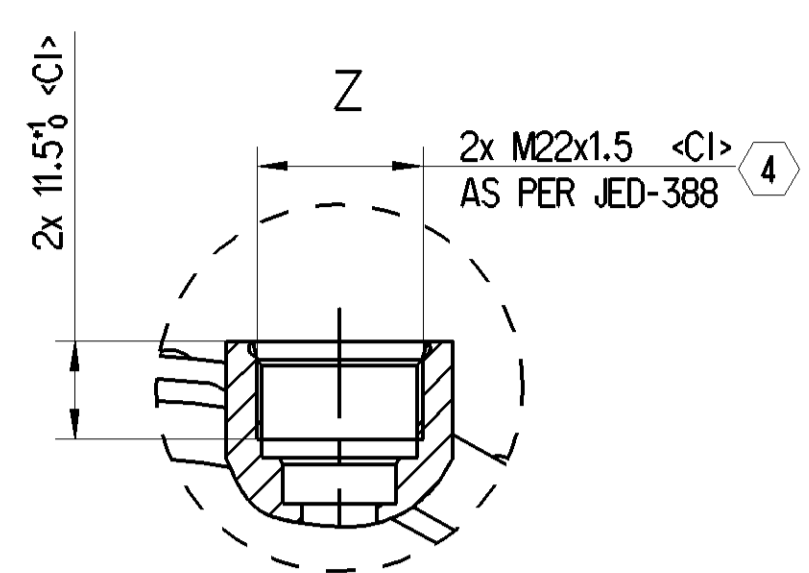
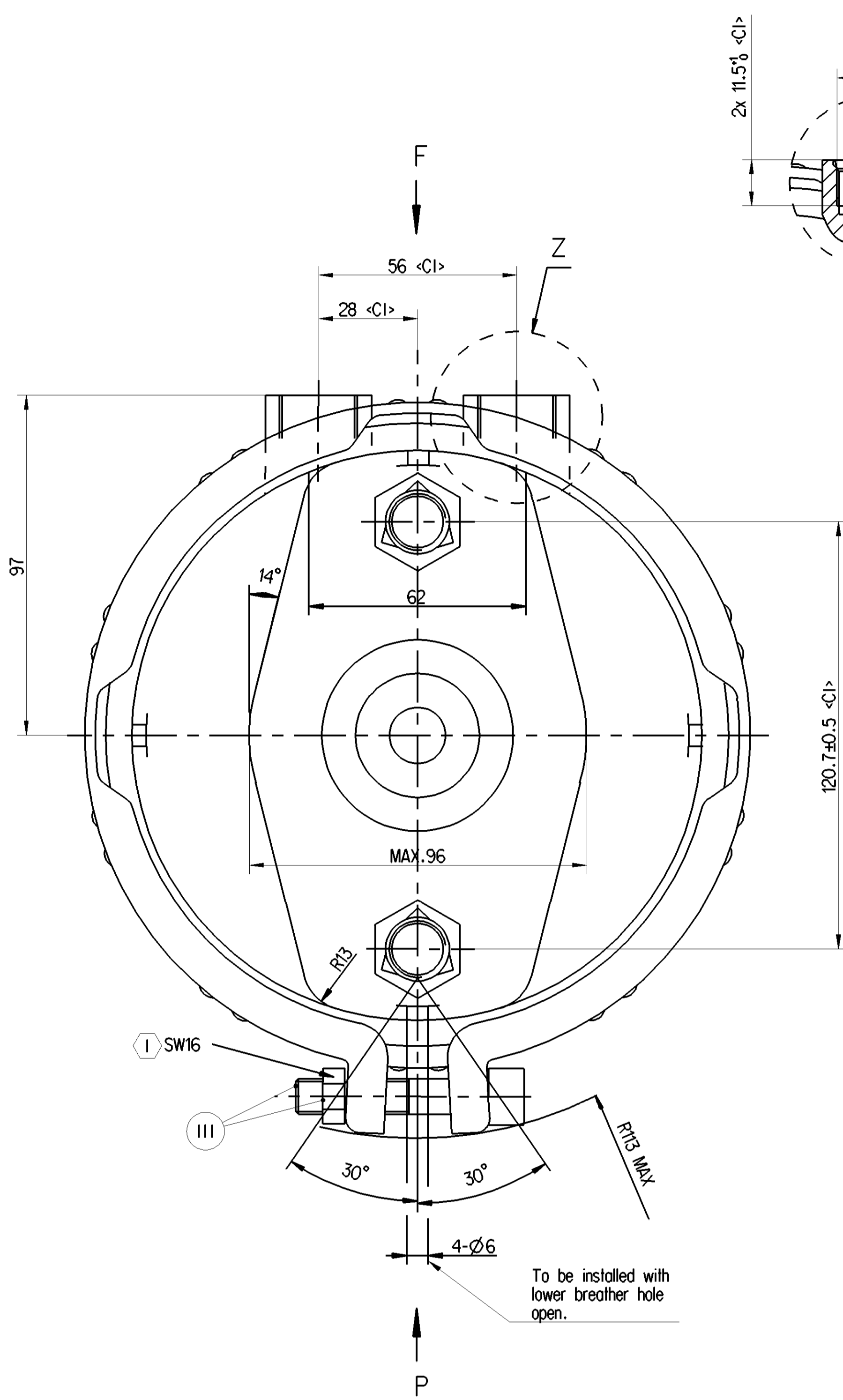
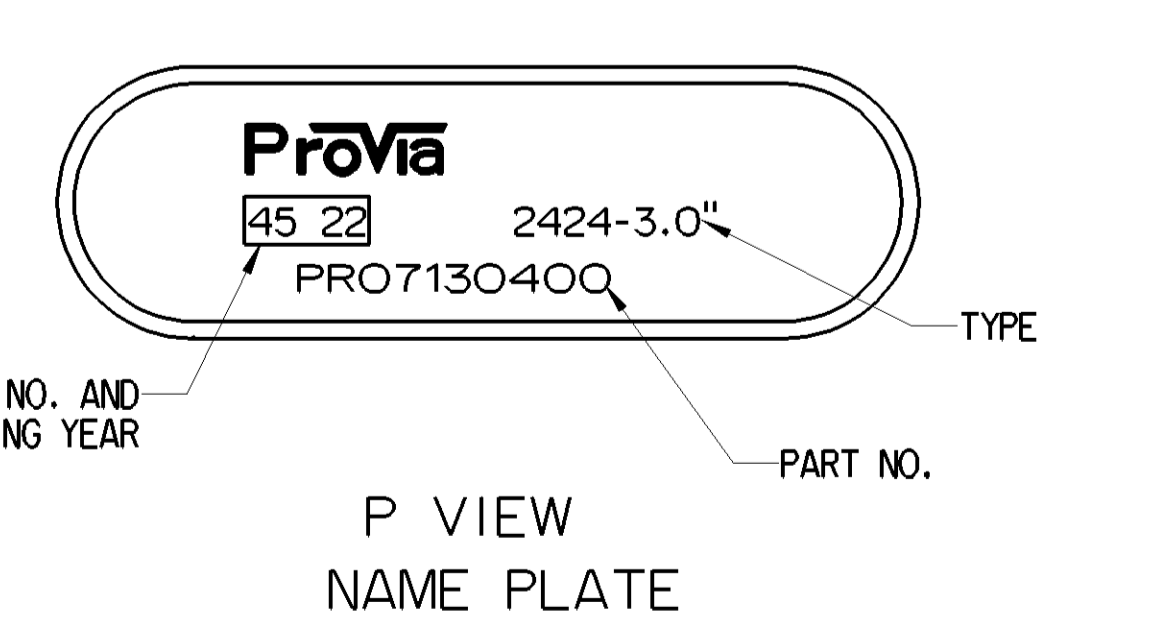
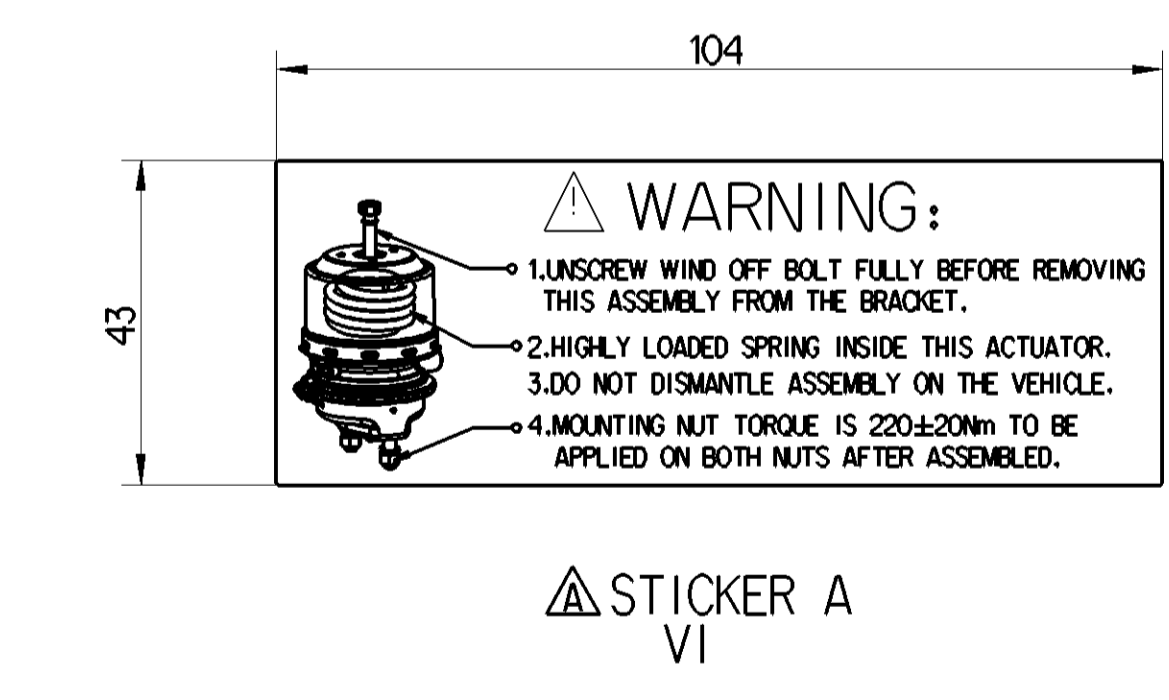
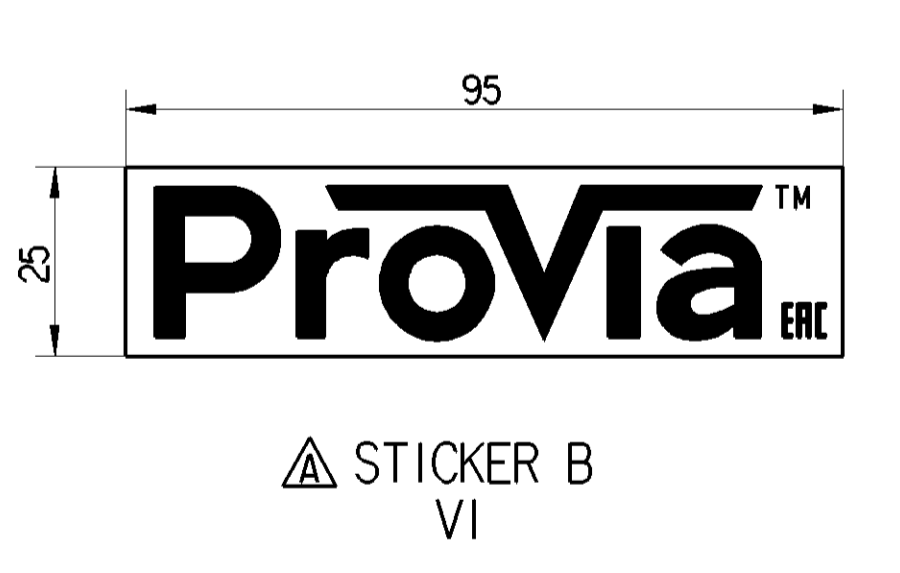
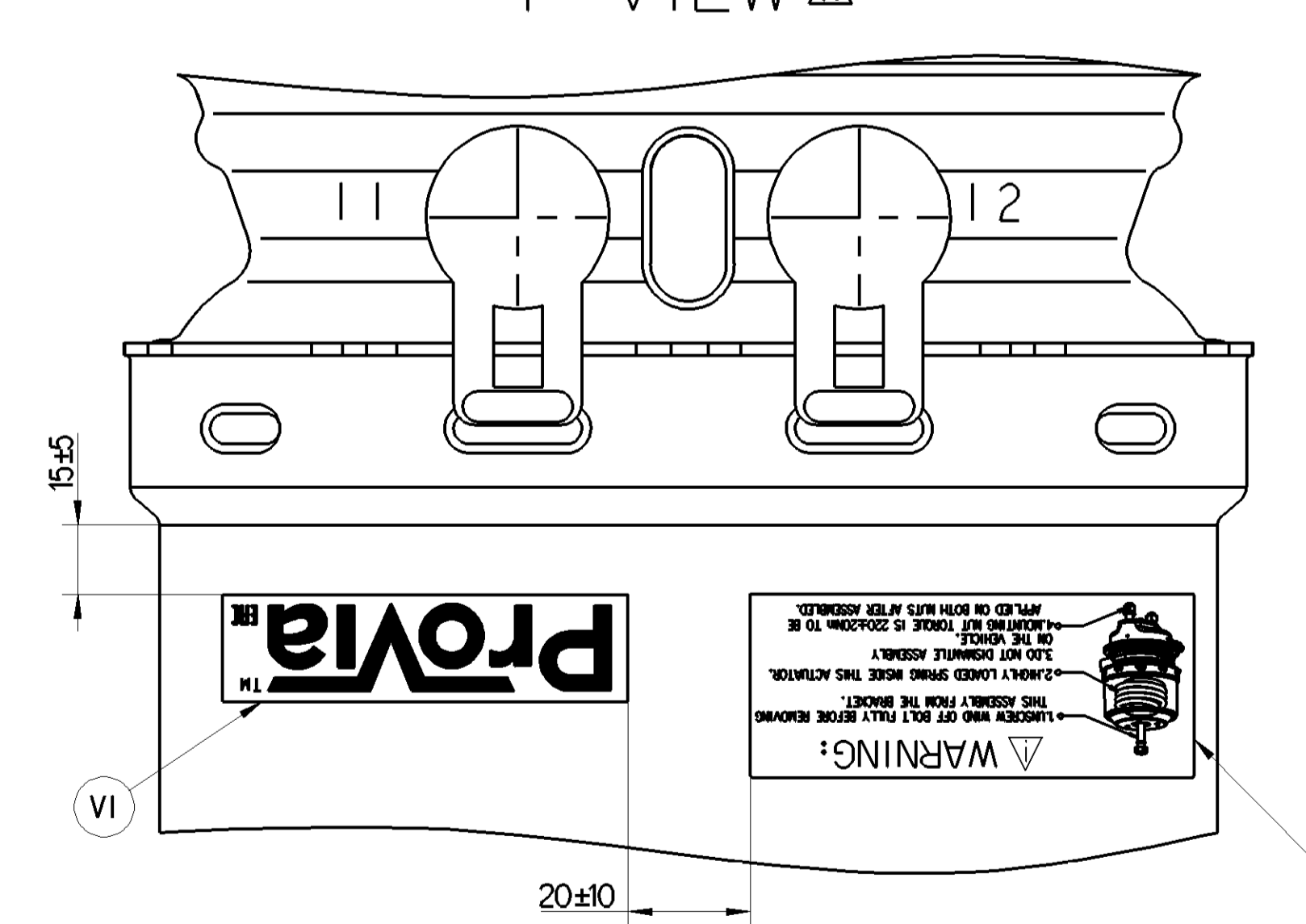


1- SAFETY CHARACTERISTICS	0
2- SIGNIFICANT CHARACTERISTICS	0
3- CUSTOMER INTERFACE	6

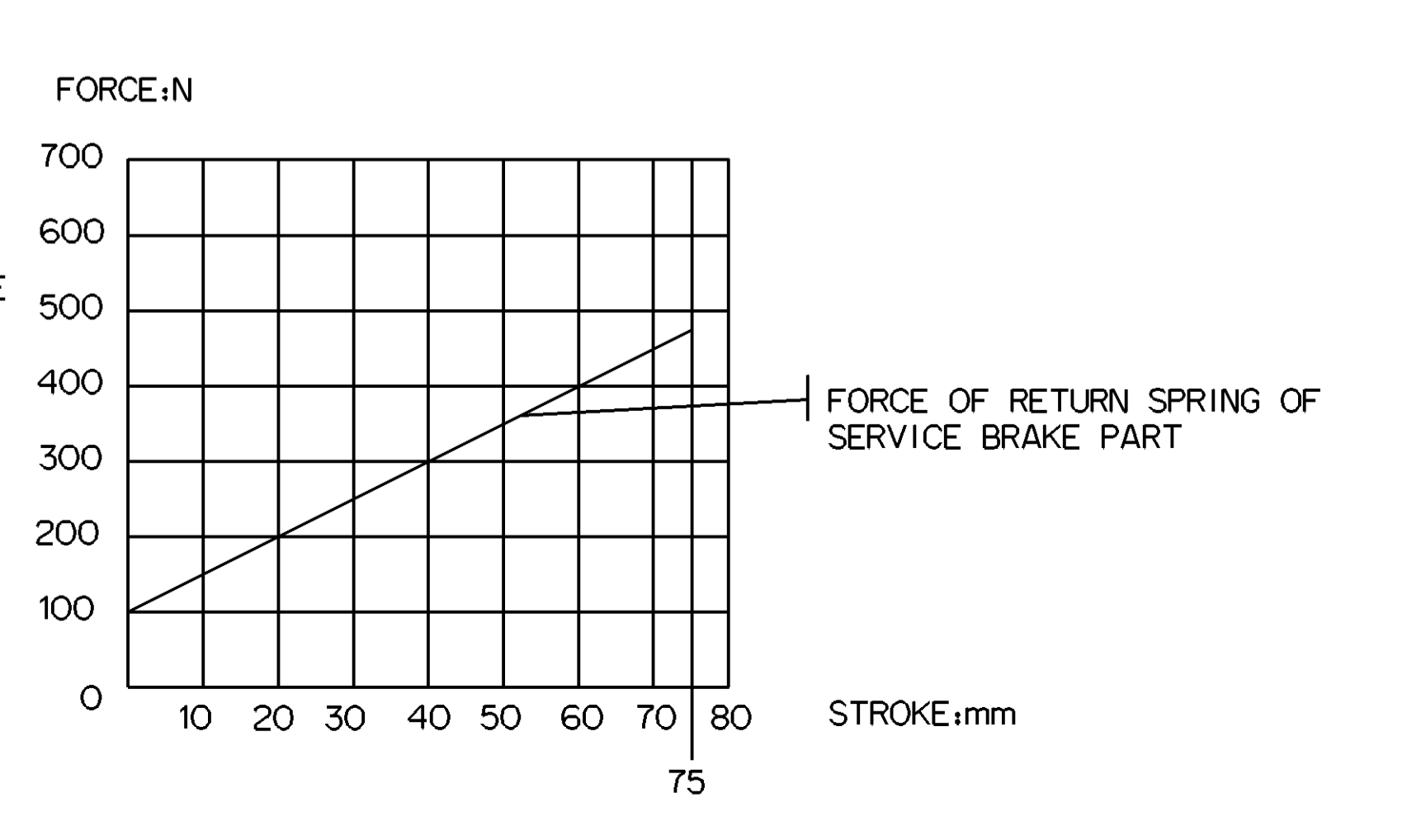
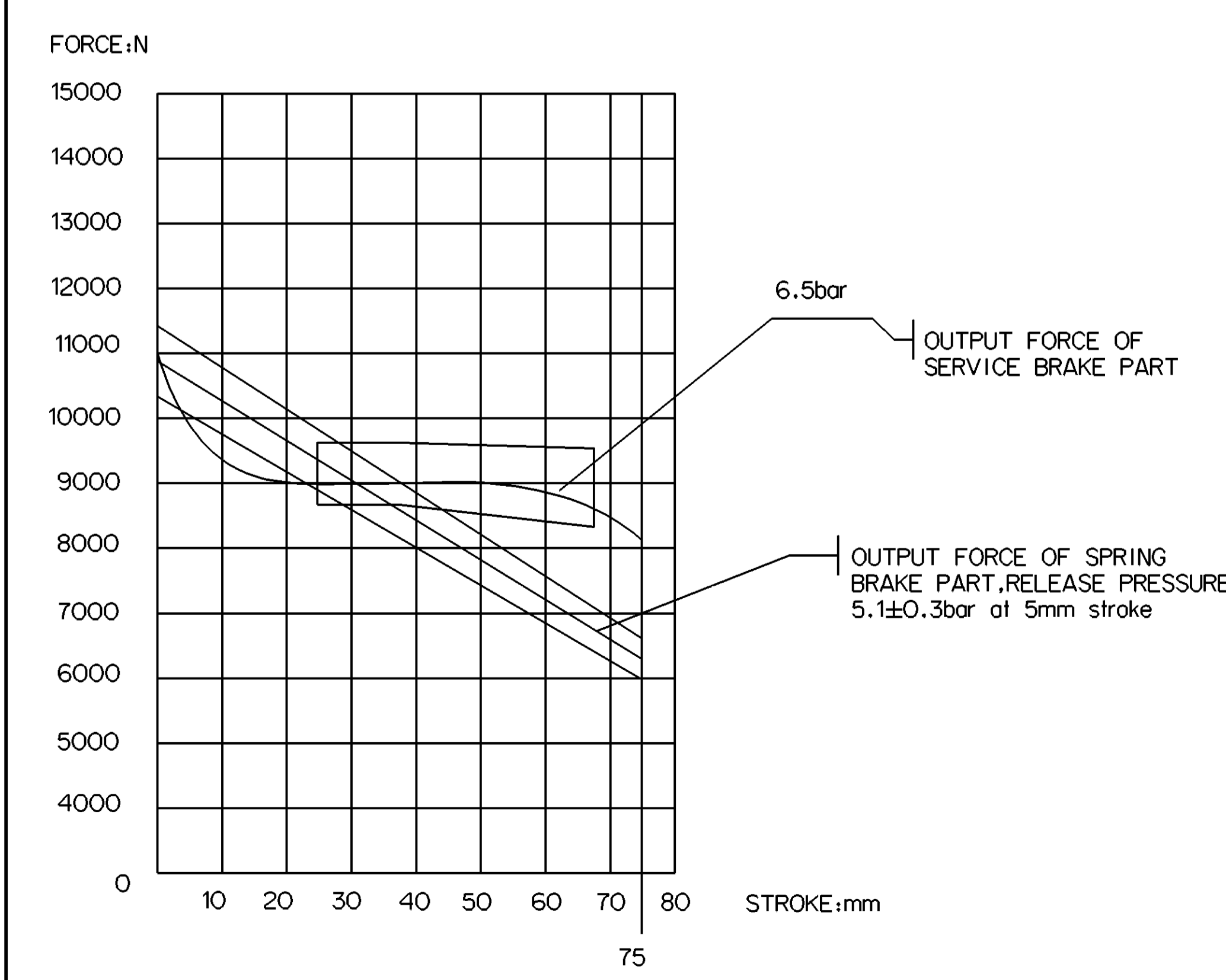
SURFACE PROTECTION	
I	ZINC PLATED WITH Cr6+ FREE
II	ELECTRO-PLATING
III	DACROMET
IV	SURFACE OXIDIZATION
V	RUBBER
VI	STICKERS
VII	BLACKENING



F VIEW

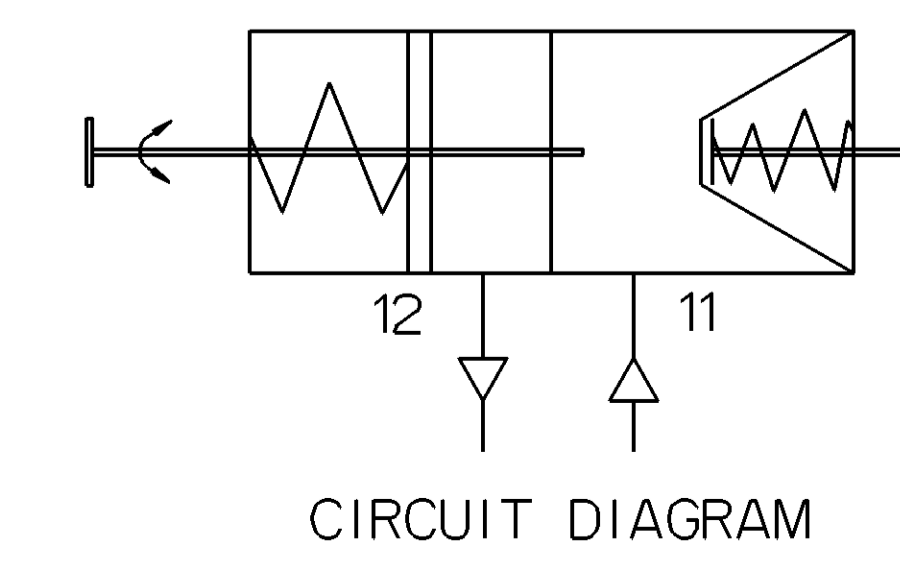


NOMINAL VALUES GIVEN FOR SERVICE SIDE, TOLERANCE BAND AS PER DIN 74060-3
 NOMINAL VALUES GIVEN FOR SPRING SIDE, TOLERANCE BAND ± 5%
 GRAPHS FOR INFORMATION ONLY



TECHNICAL REQUIREMENT:
 1. STROKE:
 SERVICE BRAKE: ≥75mm
 SPRING BRAKE: ≥75mm;
 2. WORKING PRESSURE:
 SERVICE CHAMBER: Pmax 10.2 bar, TEMPORARILY 13 bar;
 PARKING CHAMBER: Pmax 8.5 bar, TEMPORARILY 11 bar;
 3. WORKING TEMPERATURE: -40°C...+80°C; (-40°F...+176°F)
 4. THE DRAWING IS AT CAGED CONDITION, THE PARKING CHAMBER WILL BE AT UNCAGED CONDITION DURING SHIPMENT;
 5. WORKING MEDIUM: AIR.

- ① TORQUE: ≥35Nm
- ② RELEASE POSITION, RELEASING WITH: 80Nm MAX.
- ③ DRIVING POSITION, TIGHTENING WITH: 25⁺²⁰0 Nm
- ④ TORQUE: MAX. 53Nm
- ⑤ ADMISSIBLE INSTALLATION POSITION
- ⑥ TORQUE: 210⁰30 Nm
- ⑦ DEFLECTION: 8° MAX AT STROKE: 0 mm



General Specification: ISO 8768, JED-388-1, Size 021 14405 LP		Copyright ©					
Further Technical Data: PRO 713 040 0		System					
Doc. Code: 030	Sheet: 1 To 6	Date: 2023-10-06	Drawn: Varghesh				
General Tolerance: JED-261		Date: 2023-10-06	Checked: Manikandan				
Range of Nominal Dimensions (± in mm)							
Class	0	± 50	± 80	± 100	± 160	± 400	
File	X	±0.5	±1.0	±1.5	±2	±3	
Medium	X	±1	±2	±3	±4	±5	
Course	X	±2	±3.5	±5	±6.5	±10	
Tapped holes acc. JED-388				Replacement for			
Tolerance class: JED-388				Replacement for			
Tolerance class: JED-388				Replacement for			
A 0		CREO		SIS469		7x A 5400_AM	