

Non e permesso copiare, o terzi o riprodurre questo documento, ne utilizzare il contenuto o renderlo comunque noto a terzi senza autorizzazione esplicita. Ogni infrazione costituisce un evidente abuso e comportera il risarcimento dei danni subiti. E' fatta riserva di tutti i diritti derivanti da brevetti o modelli.
 Copying of this document and giving it to others and the use or communication of the contents thereof, are forbidden without express authority. Contravention of this restriction will constitute an evident abuse and result in a liability to the payment of damages. All rights are reserved in the event of the grant of patent or registration of a utility model or design. This document is the subject of copyright.
 Toute communication ou reproduction de ce document, toute exploitation ou communication de son contenu sont interdites, sauf autorisation expresse. Tout manquement a cette regle constitue un abus evident et expose son auteur au versement de dommages et interets. Tous droits de propriete industrielle reserves, notamment en matiere de brevets et de modesles.
 Weitergabe sowie Vervielfaltigung dieses Urteiles, Verwertung und Mitteilung desselben ist nicht gestattet, soweit nicht ausdrucklich ansonsten, Zuerkennung der Rechte vorbehalten. Alle Rechte fuer den Fall der Patentierung oder Gebrauchsmuster-Eintragung vorbehalten.

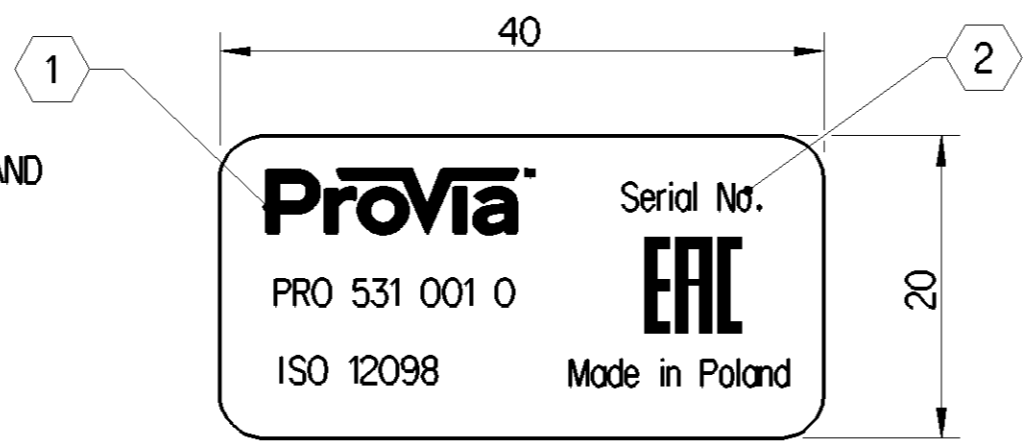
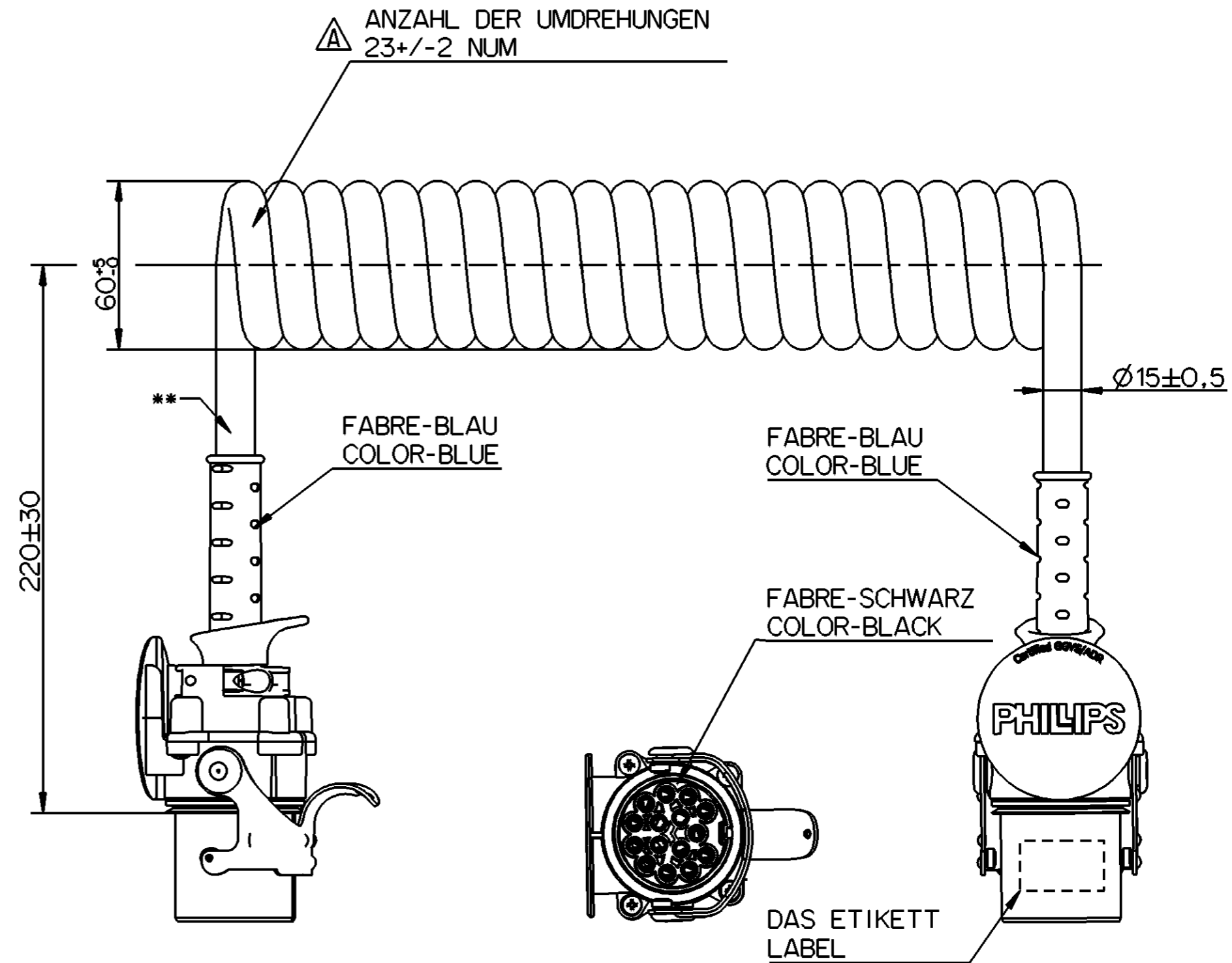
KABEL-TEMPERATURBEREICH -40°C....+ 90°C Δ			LITZEN - PVC-LITZEN ISO 11992-1 / ISO 6722-4 DUENN WANDIG		
CABLE-TEMPERATURE RANGE -40°C....+ 90°C Δ			CORE - PVC ISO 11992-1 / ISO 6722-4 THIN WALLED		
MATERIAL	FARBE COLOR	LITZEN-QUERSCHNITTE (mm2) CORE SECTION (mm2)	NUMMER NUMBER	FARBE COLOR	QUERSCHNITT(mm2) SECTION (mm2)
PU	SCHWARZ BLACK	3x2.5 +10x1.5 +2x1.5	1	GELB \ YELLOW	1.5
			2	GRUEN \ GREEN	
			3	BLAU \ BLUE	
			4	WEISS \ WHITE	2.5
			5	SCHWARZ \ BLACK	
			6	BRAUN \ BROWN	1.5
			7	ROT \ RED	
			8	PINK	2.5
			9	ORANGE	
			10	GRAU \ GREY	1.5
			11	WEISS - SCHWARZ WHITE - BLACK	
			12	WEISS - BLAU WHITE - BLUE	
			13	WEISS - ROT WHITE - RED	2.5
			14*	WEISS - GRUEN WHITE - GREEN	
			15*	WEISS - BRAUN WHITE - BROWN	1.5

*POS. 14 ; 15 -KAPAZITAET DES ADERNPAARES MAXIMAL 560pF JE WENDELLEITUNG
 *POS. 14 ; 15 - CAPACITY OF WIRES MAX. 560pF PER ELECTRICAL COIL

- BEMERKUNGEN:**
- VERBINDUNGS SCHEMA NACH - ISO 12098
 - SPANNUNG - 24 V
 - ARBEITSLAENGE - 3.5 m
 - ZULAESSIGE AUSZUGSLAENGE - 4 m
 - TEMPERATURBEREICH -40°C....90°C Δ
 - MATERIAL-GEHAUSE - PAG+30GF
 - SCHUTZART - IP69 Δ
 - ** AUFDRUCK AUF DEM KABEL:
PROVIA / PRO 531 001 0 - EAC - ISO 12098 - PU - KW/R - MADE IN POLAND

- NOTES:**
- CONNECTION SCHEME BY - ISO 12098
 - VOLTAGE - 24V
 - WORKING LENGTH - 3.5 m
 - PERMISSIBLE CABLE EXTENSION - 4 m
 - TEMPERATURE RANGE -40°C....+90°C Δ
 - MATERIAL-BODY - PAG+30GF
 - DEGREE OF PROTECTION - IP69 Δ
 - **IMPRINT ON CABLE:
PROVIA / PRO 531 001 0 - EAC - ISO 12098 - PU - WEEK/YEAR - MADE IN POLAND

GENERALE SPECIFIKATION : ISO 12098; ISO 4091; JED-367; JED-220; JED-762; JED-622
 GENERAL SPECIFICATION : ISO 12098; ISO 4091; JED-367; JED-220; JED-762; JED-622



- KENNEICHNUNGSETIKETT / LABEL**
- LOGO ACCORDING TO JED-868 LOGO NACH JED-868
 - MANUFACTURING WEEK / YEAR HERSTELLUNG KW / R

General Specification: ISO 8015, JED-334-1, Size ISO 14405 LP		Copyright ZF®		ProVia	
Further Technical Data:		Date	Signature	COILED CABLE 15 POLE, 24V WENDELKABEL 15 POLIG, 24V	
Doc. Code:	Sheet: To	2023-10-06	Murugan	Checked	
General Tolerances JED-261		2023-10-11	Vignesh	Dimensions in mm	
Range of Nominal Dimensions (± mm)		Mass		Scale	
Class 1)	≤ 50 > 50 ≤ 180 > 180 ≤ 400 > 400	2.3	NTS	Material No.	
Fine	±0.5 ±1 ±1.5 ±2	kg		Date of first issue: 2017-12-04	
Medium	±1 ±2 ±3 ±4			Doc.Code	Language
Coarse	±2 ±3.5 ±5 ±6.5			005	ML
Tapped Holes acc. -		Size	CAD System	Sheet	
1) Tolerance Class Applied Crossmarked		A 2	CREO	1/1	
		ECN-No.		Revision	Techn. Resp.
		511207		8x	A
		6280_AM		Replacement for	

<I> SAFETY CHARACTERISTICS	0
<II> SIGNIFICANT CHARACTERISTICS	0
<III> CUSTOMER INTERFACE	0