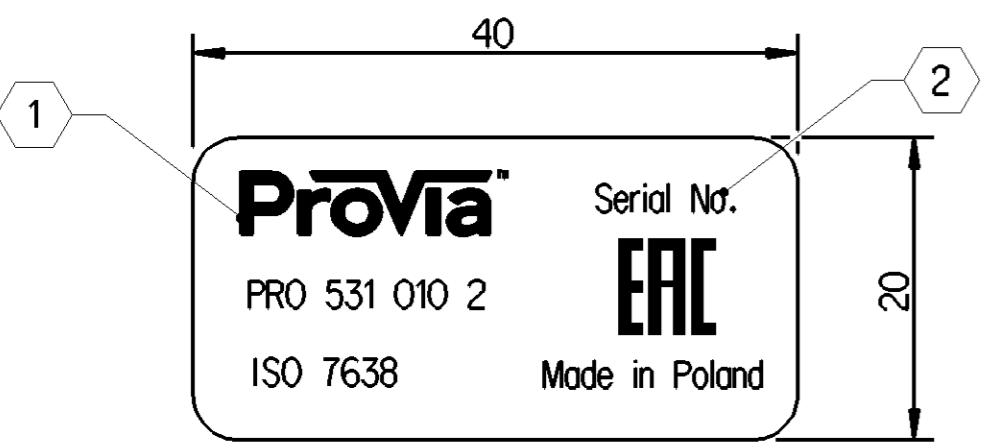
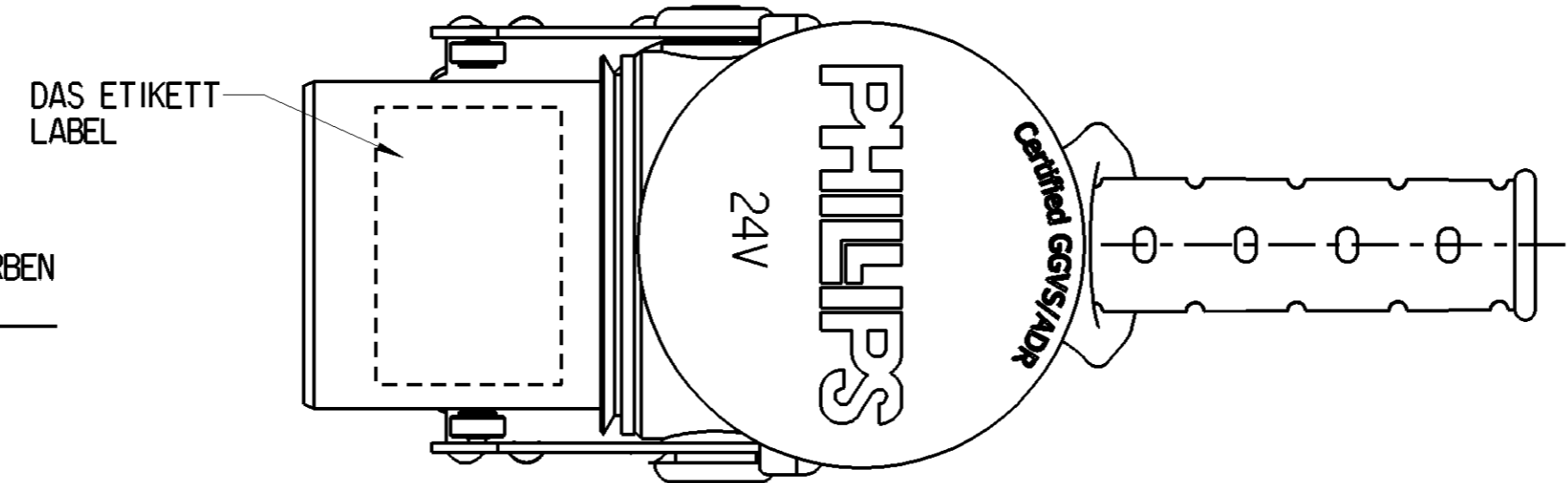
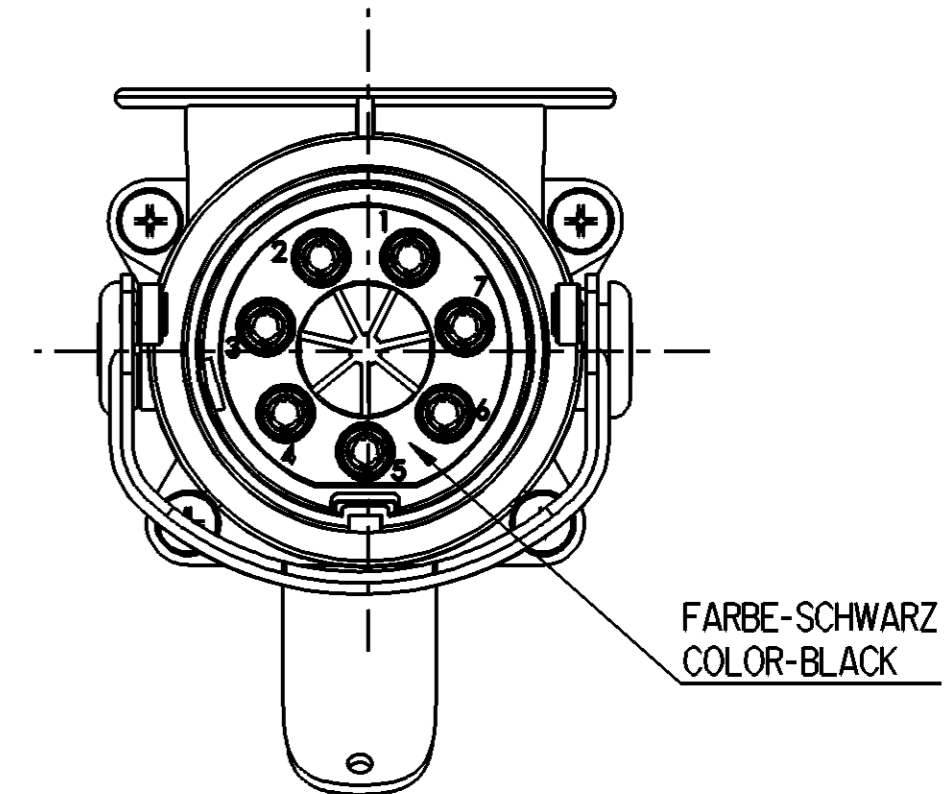
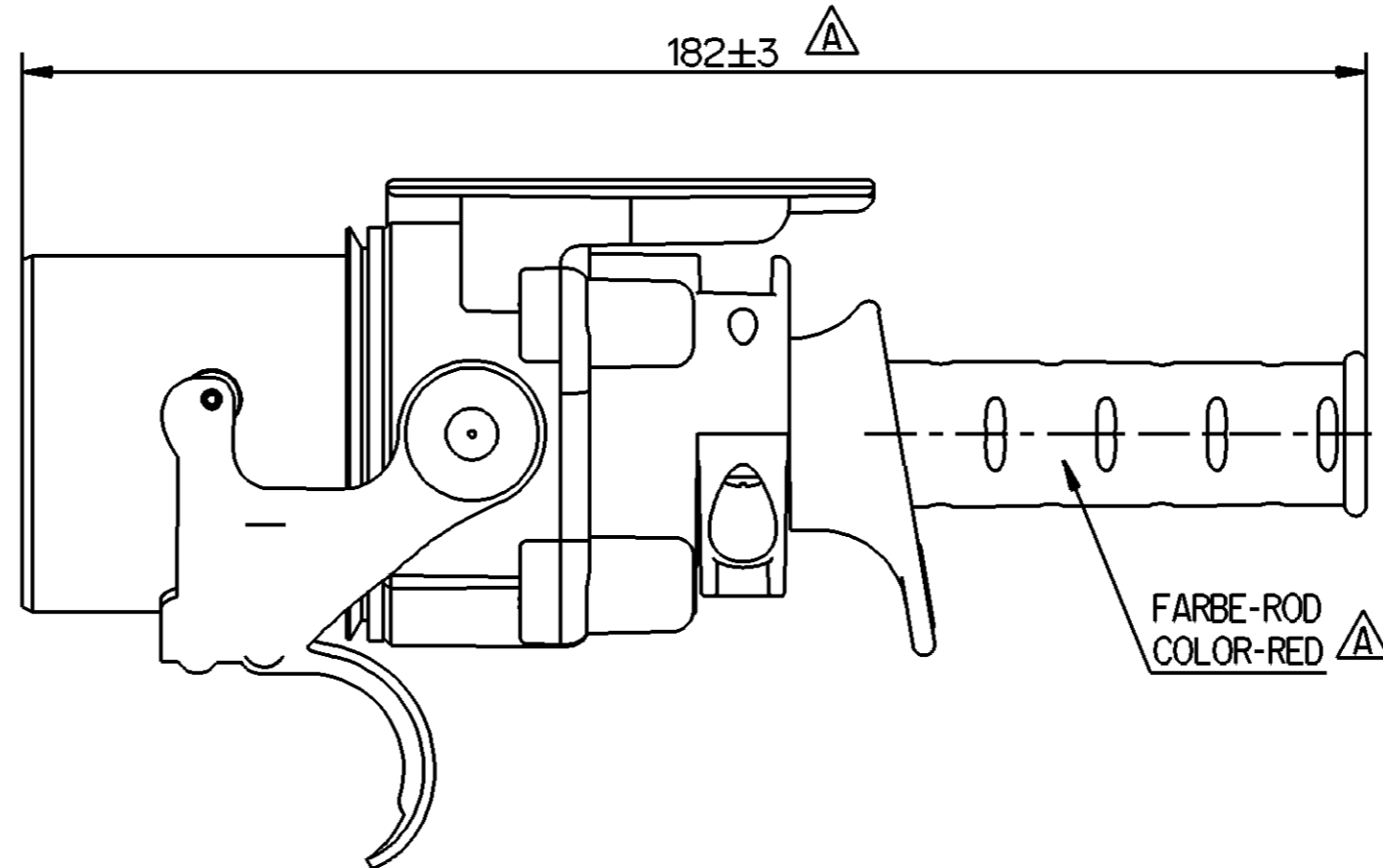
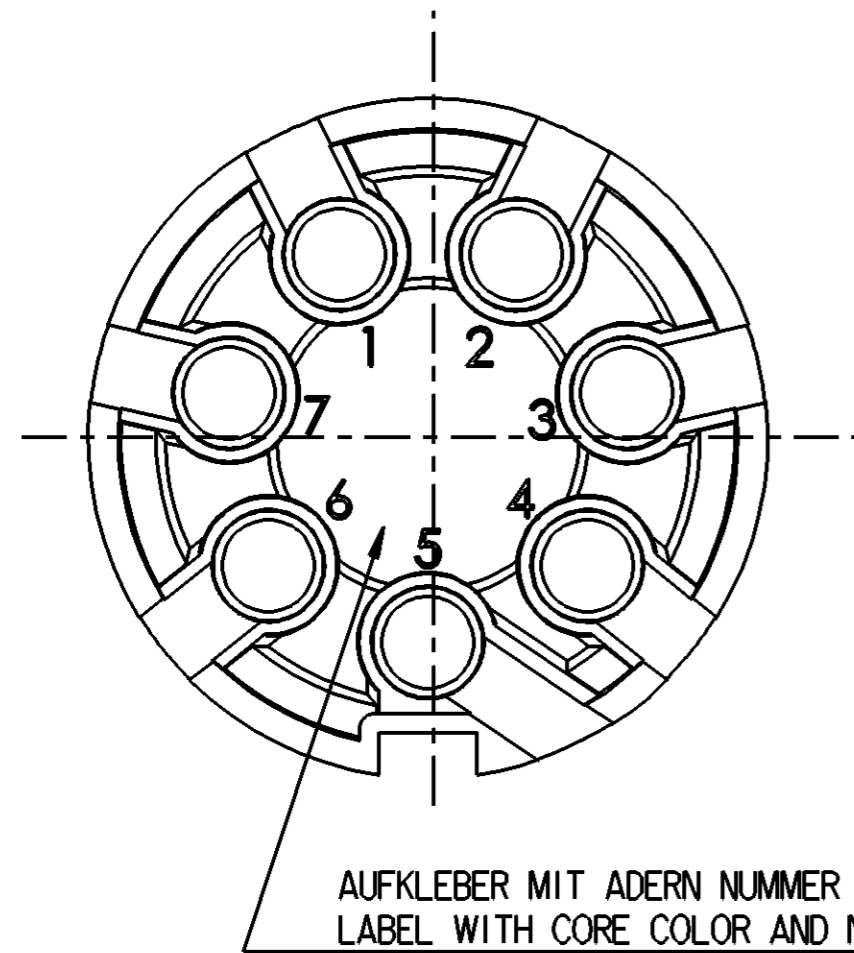


NUMMER NUMBER	FARBE COLOR	QUERSCHNITT(mm2) CROSS SECTION (mm2)
1	ROT \ RED	4
2	SCHWARZ \ BLACK	1.5
3	GELB \ YELLOW	
4	BRAUN \ BROWN	4
5	WEISS \ WHITE	1.5
6	WEISS - GRUEN WHITE - GREEN	1.5
7	WEISS - BRAUN WHITE - BROWN	

<I> SAFETY CHARACTERISTICS	0
<II> SIGNIFICANT CHARACTERISTICS	0
<III> CUSTOMER INTERFACE	0



KENNZEICHNUNGSETIKETT / LABEL

- BEMERKUNGEN:**
1. ENTSPRICHT - ISO 7638
 2. SPANNUNG - 24V
 3. TEMPERATURBEREICH -40°C....+90°C Δ
 4. MATERIAL-GEHAUSE - PA6+30GF
 5. SCHUTZART - IP69 Δ
 6. ETIKETTENMASE - 40x20 mm Δ

- 1 LOGO ACCORDING TO JED-868
LOGO NACH JED-868
- 2 MANUFACTURING WEEK / YEAR
HERSTELLUNG KW / R

- NOTES:**
1. CORRSPONDS TO - ISO 7638
 2. VOLTAGE - 24V
 3. TEMPERATURE RANGE -40°C....+90°C Δ
 4. MATERIAL-BODY - PA6+30GF
 5. DEGREE OF PROTECTION - IP69 Δ
 6. LABEL DIMENSION - 40x20 mm Δ

GENERELLE SPEZIFIKATION : ISO 7638; ISO 4091; JED-367; JED-220; JED-762; JED-622
 GENERAL SPECIFICATION : ISO 7638; ISO 4091; JED-367; JED-220; JED-762; JED-622

General Specification: ISO 8015, JED-334-1, Size ISO 14405 LP		Copyright ZF®		ProVia	
Further Technical Data:		Date	Signature	Date of first issue: 2017-12-04	
Doc. Code:	Sheet: To	2023-10-06	Drawn Murugan	PLUG ABS-EBS 7-POLE 24V STECKER ABS-EBS 7-POLIG 24V	
General Tolerances JED-261		2023-10-11	Checked Vignesh	Doc.Code Language Sheet	
Range of Nominal Dimensions (± mm)		Dimensions in mm		005 ML 1/1	
Class 1)	≤ 50 > 50 ≤ 180 > 180 ≤ 400 > 400	Mass	Scale	Material No.	
Fine	±0.5 ±1 ±1.5 ±2	0.30 Δ	NTS	PRO 531 010 2	
Medium	±1 ±2 ±3 ±4	Size	CAD System	ECN-No. Revision Techn. Resp.	
Coarse	±2 ±3.5 ±5 ±6.5	A 2	CREO	511207 9x A 6280_AM	Replacement for
Tapped Holes acc. -		±3°		-	
1) Tolerance Class Applied Crossmarked					

Non e permesso copiare, o terzi o riprodurre questo documento, ne utilizzare il contenuto o renderlo comunque noto o terzi senza autorizzazione esplicita. Ogni infrazione costituisce un evidente abuso e comportera il risarcimento dei danni subiti. E' fatta riserva di tutti i diritti derivanti da brevetti o modelli.
 Copying of this document and giving it to others and the use or communication of the contents thereof, are forbidden without express authority. Contravention of this restriction will constitute an evident abuse and result in a liability to the payment of damages. All rights are reserved in the event of the grant of patent or registration of a utility model or design. This document is the subject of copyright.
 Toute communication ou reproduction de ce document, toute exploitation ou communication de son contenu sont interdites, sauf autorisation expresse. Tout manquement a cette regle constitue un abus evident et expose son auteur au versement de dommages et interets. Tous droits de propriete industrielle reserves, notamment en matiere de brevets et de modesles.
 Weitergabe sowie Vervielfaltigung dieser Unterlagen, Verwertung und Mitteilung ihrer Inhalte nicht gestattet, soweit nicht ausdrücklich ansonsten, Wiederholungen stellen eine offensichtliche Missbrauch dar und verpflichten zu Schadensersatz. Alle Rechte hier den Fall der Patentierung oder Gebrauchsmuster-Eintragung vorbehalten.