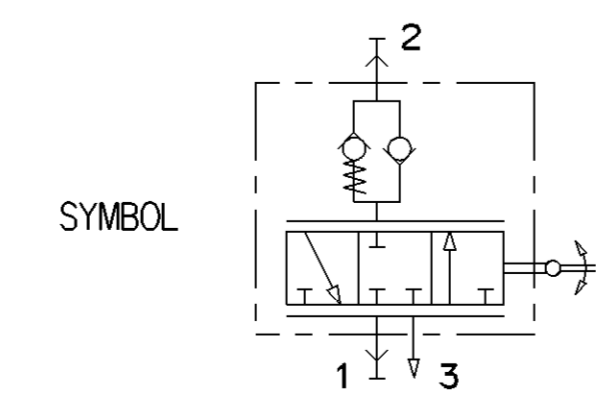
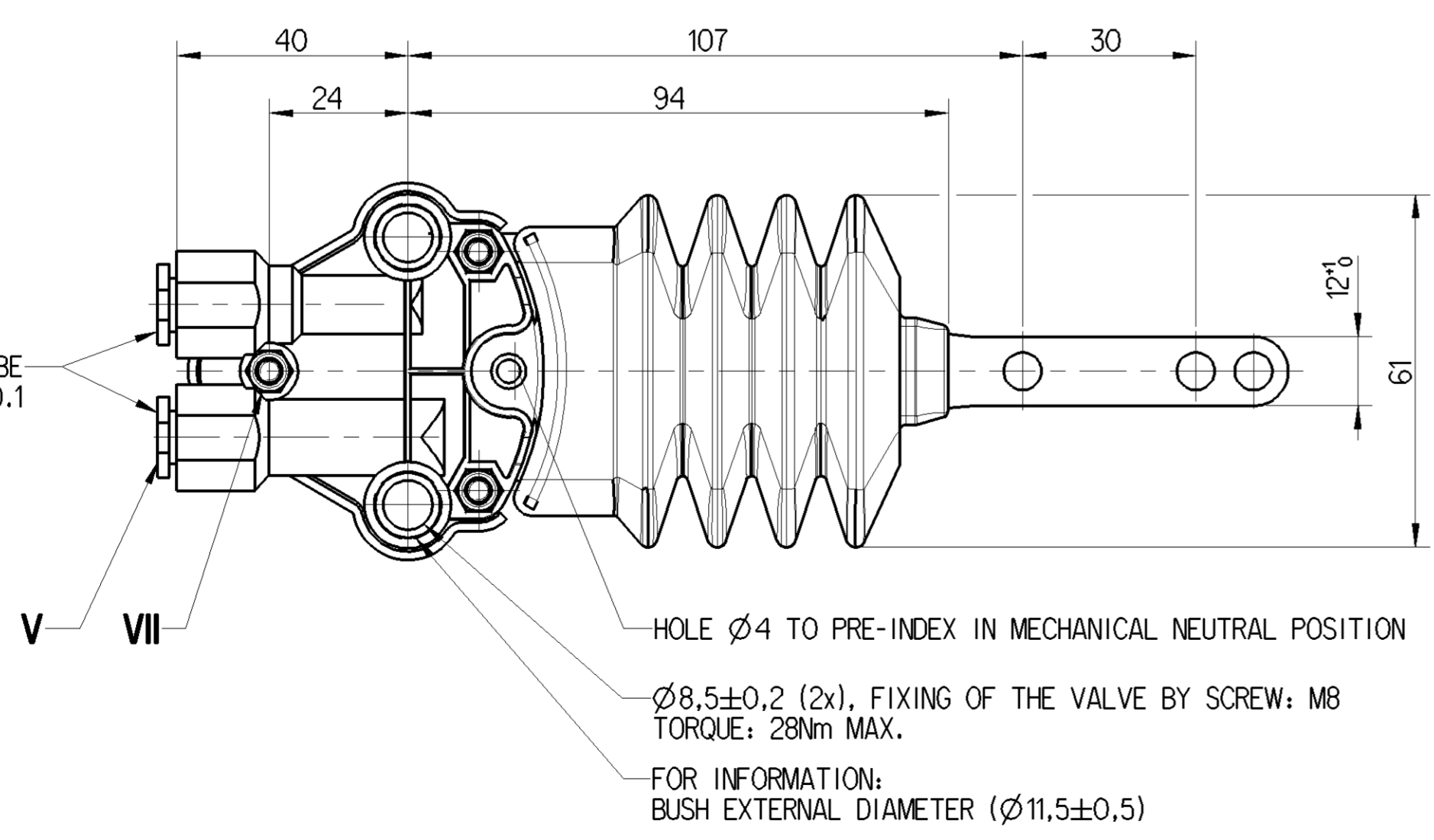
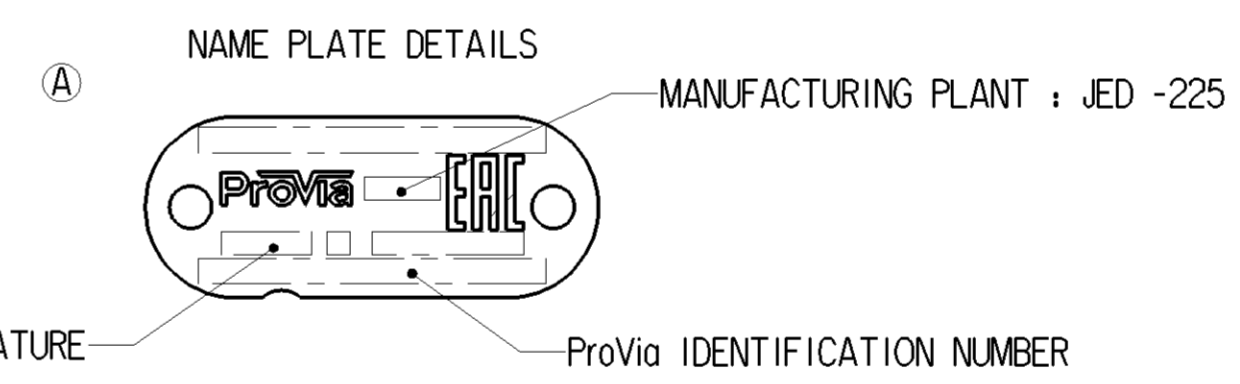
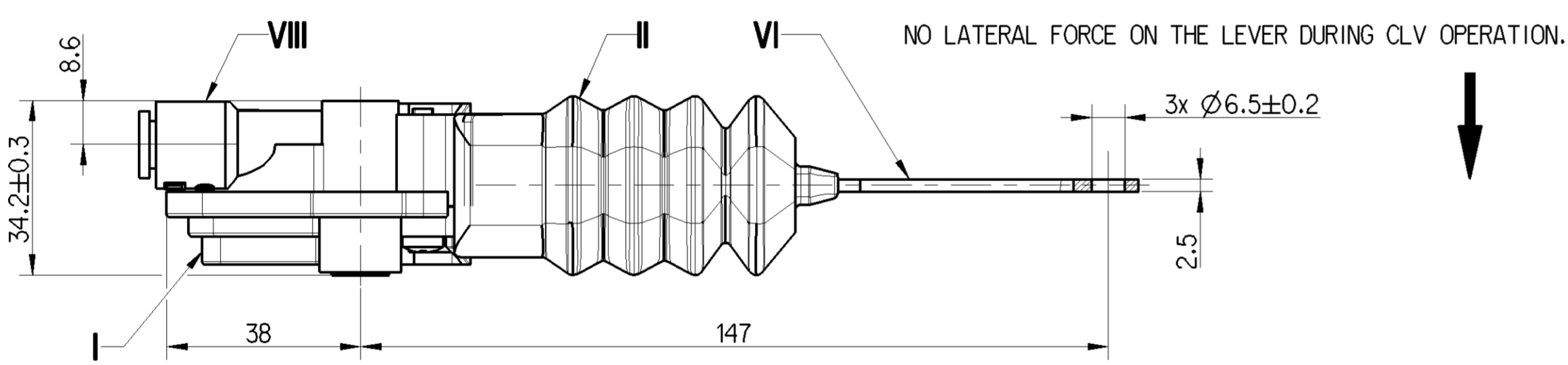
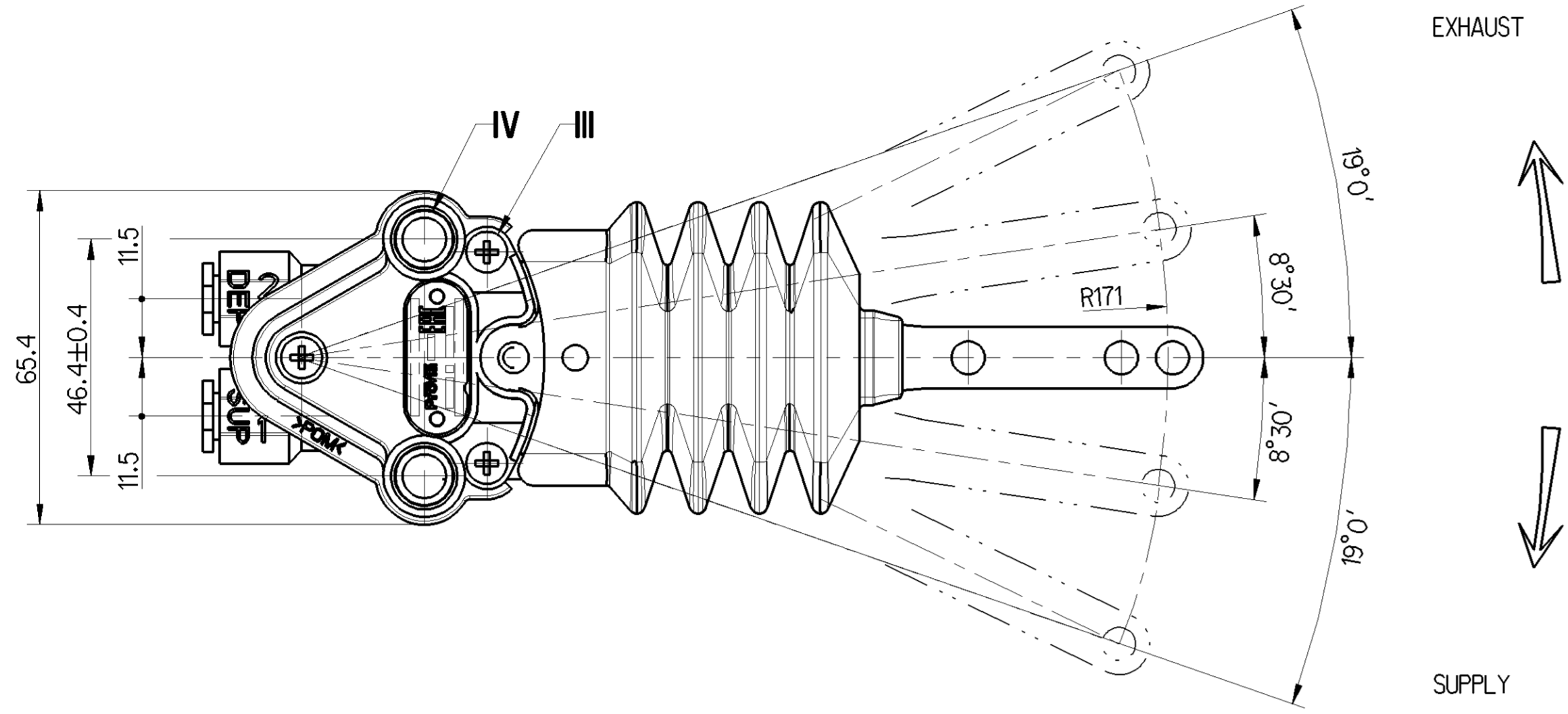
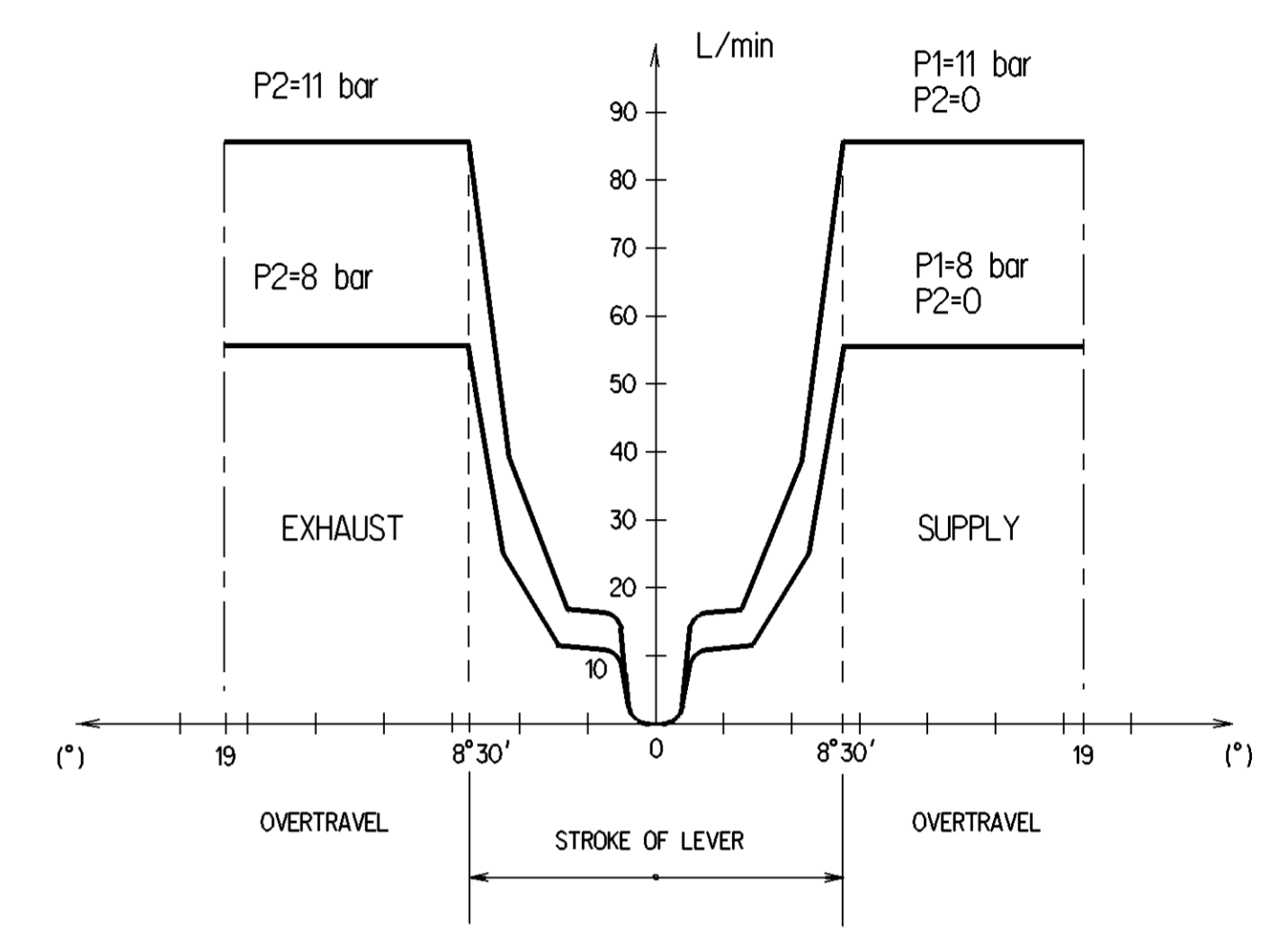


	MATERIAL	SURFACE PROTECTION
I	POM	
II	EPDM	
III	STEEL	Zn
IV	STEEL	Zn
V	PA	
VI	STEEL	Zn
VII	STEEL	Zn
VIII	POM	

VARIANT: PRO 007 007 0 - " SOFT SPRING "

FLOW RATE FOR : P1=8 bar and P1=11 bar



1	SUPPLY	
2	DELIVERY	
THERMAL RANGE		-40°C ... +80°C
WORKING PRESSURE		P1= 11 bar MAX.
EXCEPTIONAL INLET PRESSURE		P1= 14 bar MAX.
RESIDUAL PRESSURE		P2= 0.6±0.3 bar

General Specification: JED-334-1 - Size ISO 14405 LP		Copyright WABCO®		Date of first issue: 2016-12-09	
Further Technical Data: PRO0070010		Date	Signature	Material No.	
Doc. Code: 035	Sheet: 1 To 5	2018-09-24	Scoravon	PRO 007 007 0	
General Tolerances JED-261		Checked		Doc. Code	Language
Range of Nominal Dimensions (± mm)		Expert		005	EN
Class	1) ≤ 50 > 50 > 180 > 400	THOMAS BILSING		1	1/1
Fine	0,5 1,0 1,5 2,0	Mass	Scale	Date of first issue: 2016-12-09	
Medium	1,0 2,0 3,0 4,0	0,210	1:1	Doc. Code Language	
Coarse	2,0 3,5 5,0 6,5	kg		5642_AM	
Tapped Holes acc.		Size	CAD System	Revision Techn. Resp.	
1) Tolerance Class Applied Crossmarked		A 1	CREO	177205	1 A

Non è permesso copiare o riprodurre questo documento, né utilizzare il contenuto a fini commerciali, senza permesso scritto dalla WABCO. È vietata espressamente la ristampa o l'uso non autorizzato. Toute réimpression ou utilisation non autorisée sans la permission de la WABCO est formellement interdite. Toute utilisation non autorisée sera considérée comme acte de contrefaçon et sera poursuivie en justice.