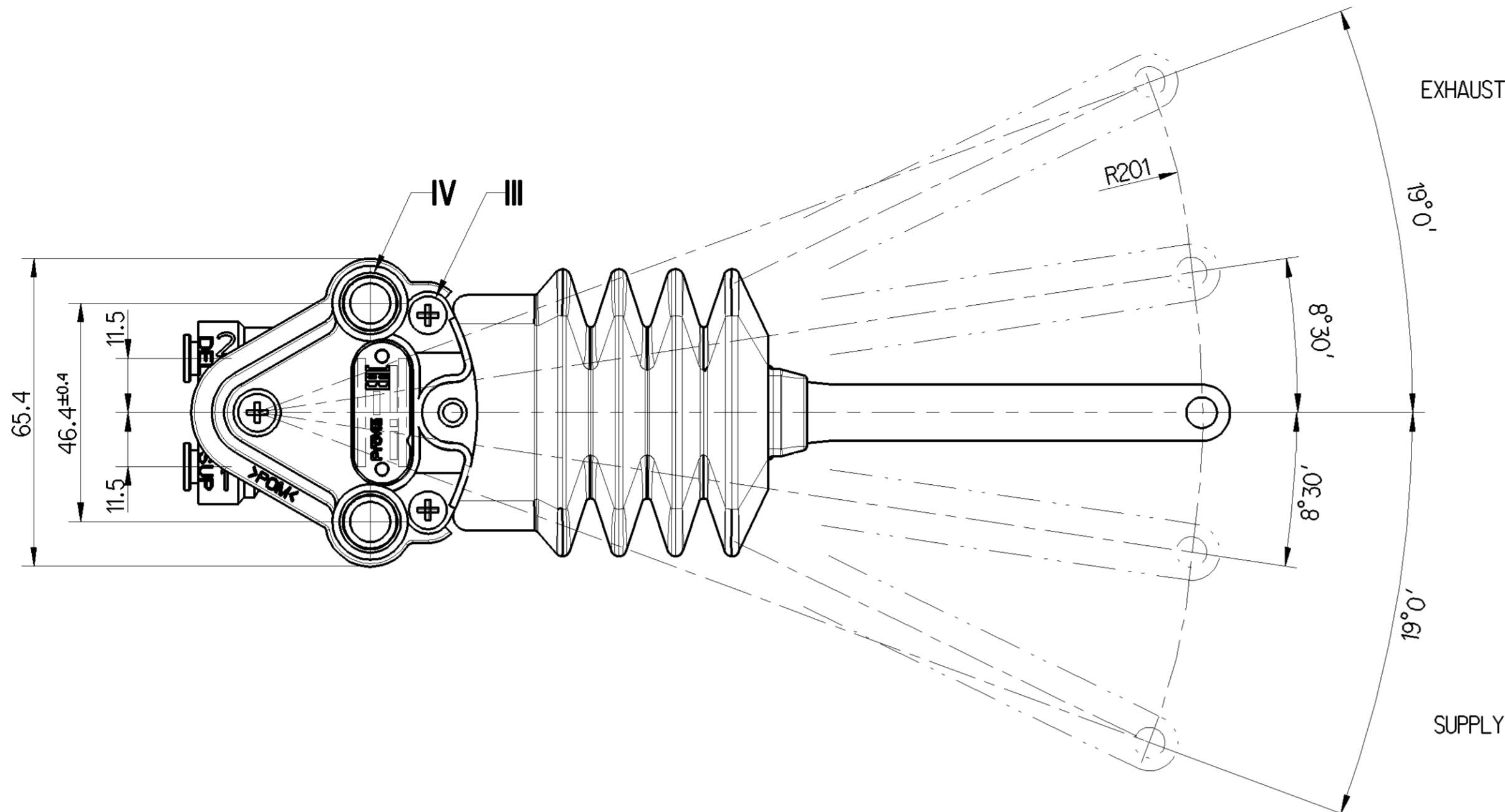
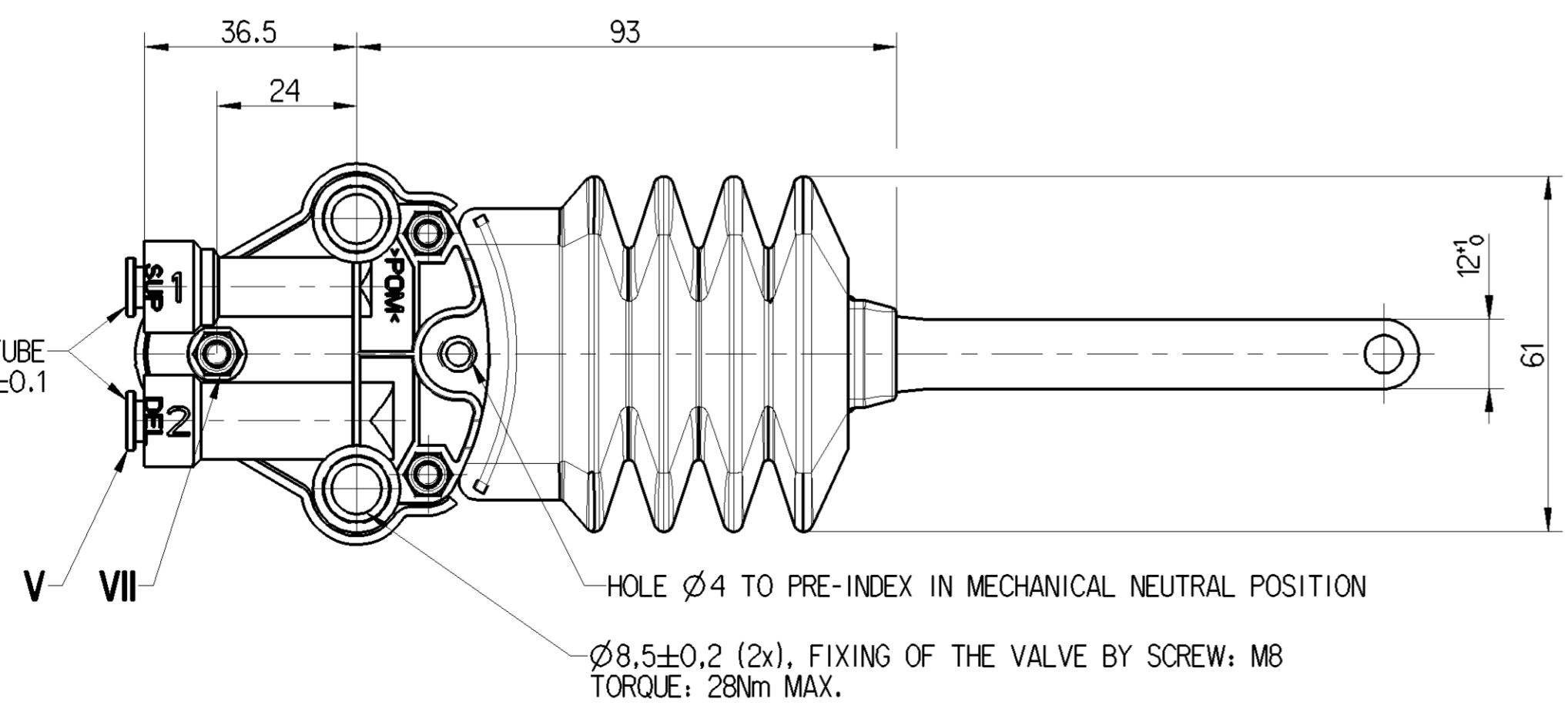
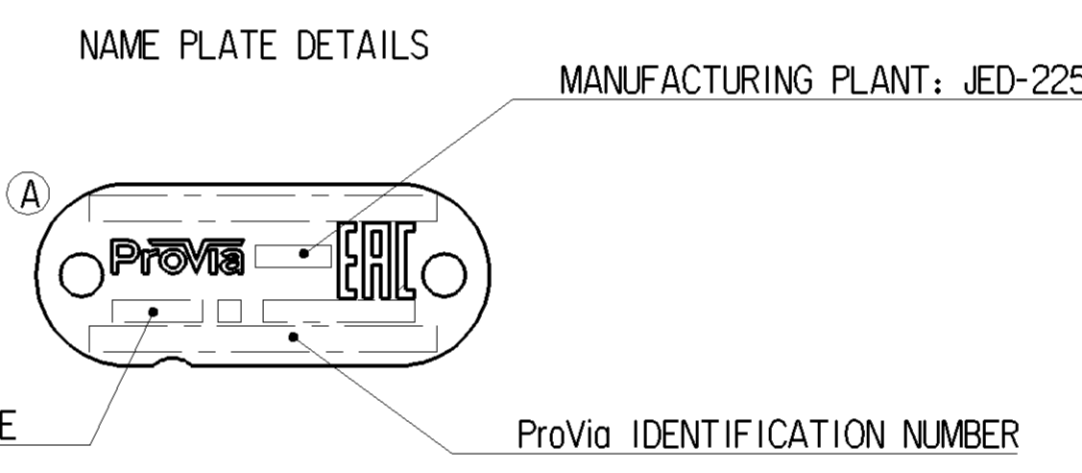
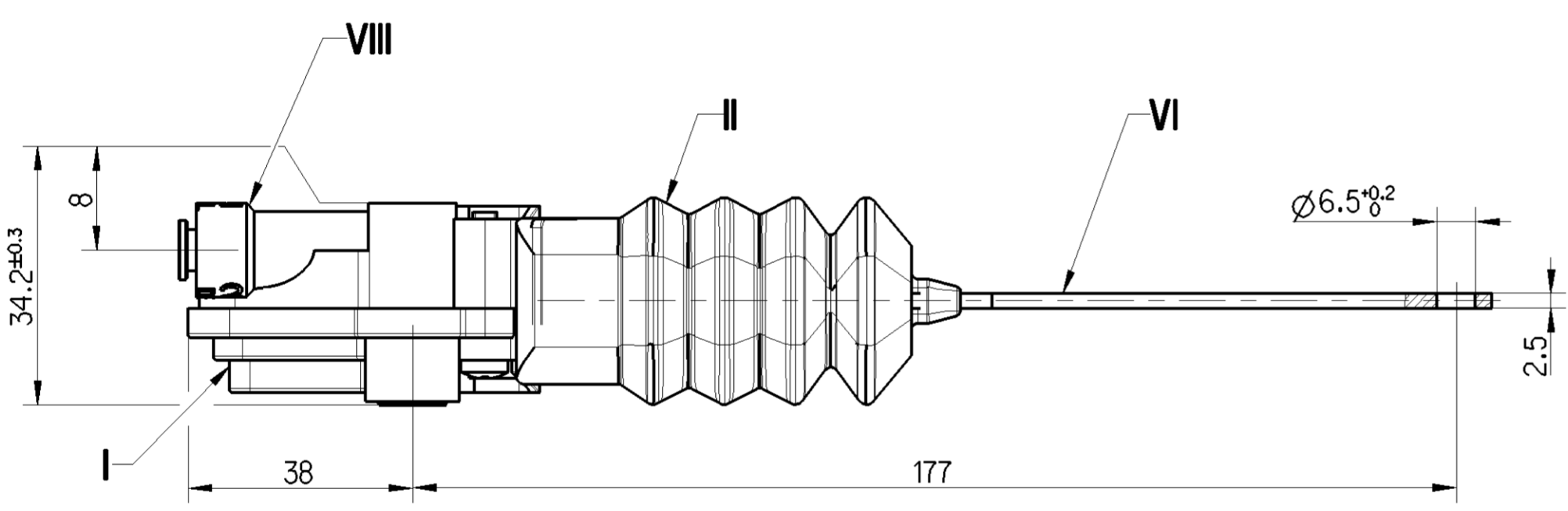
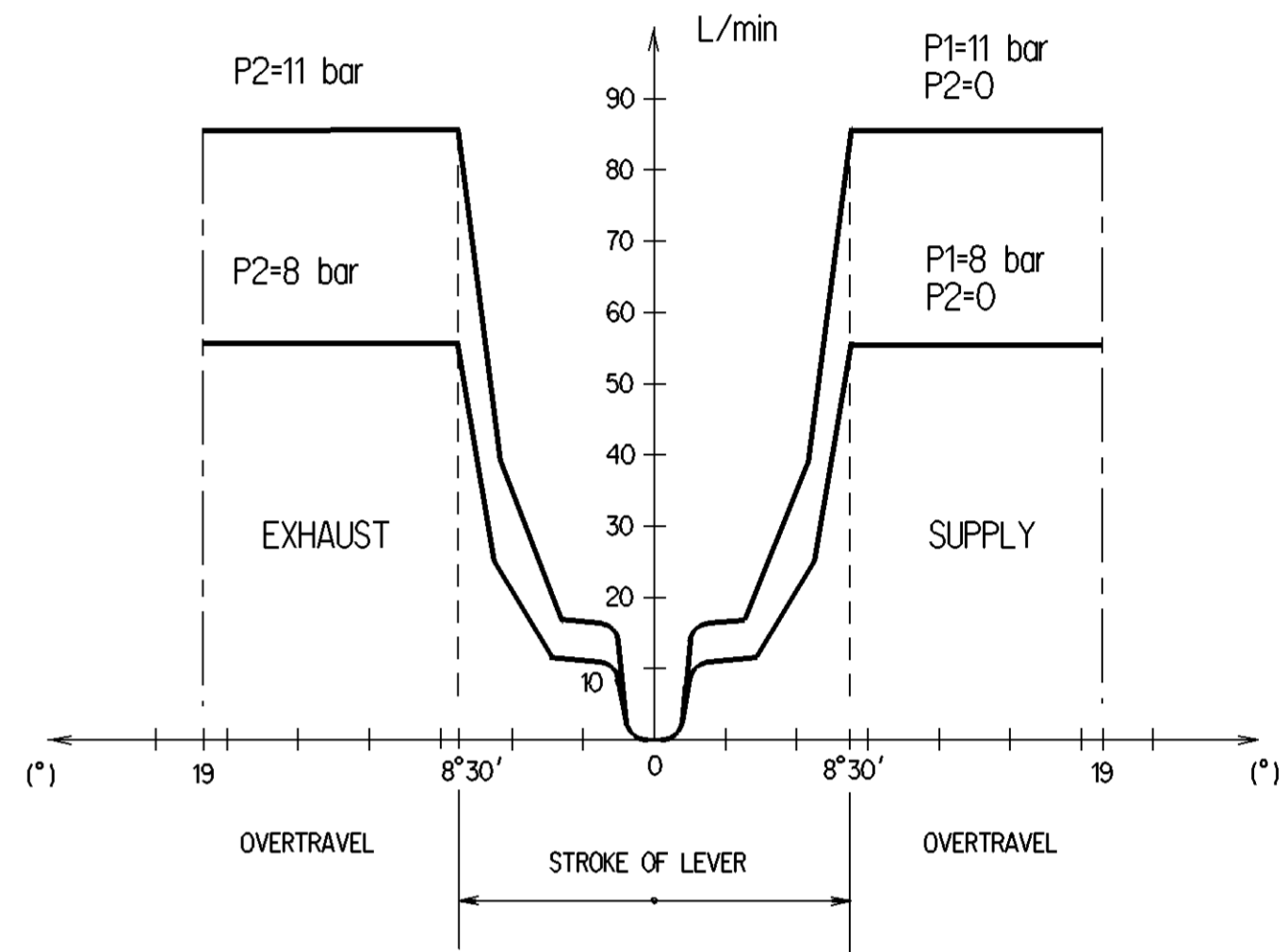


◀ SAFETY CHARACTERISTICS	0
↔ SIGNIFICANT CHARACTERISTICS	0



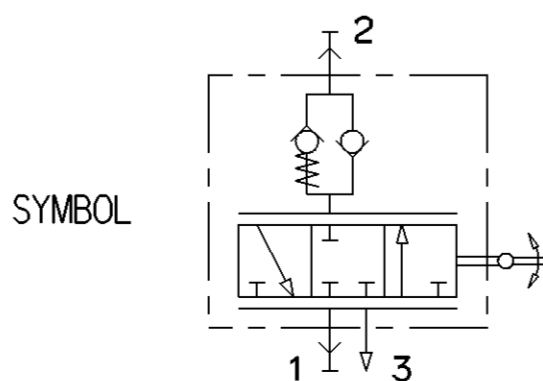
	MATERIAL	SURFACE PROTECTION
I	POM	
II	EPDM	
III	STEEL	Zn
IV	STEEL	Zn
V	PA 6.6 30GF	
VI	STEEL	Zn
VII	STEEL	Zn
VIII	POM	

FLOW RATE FOR : P1=8 bar and P1=11 bar



QUICK CONNECTION FOR PLASTIC TUBE
EXTERNAL DIAMETER Ø6±0.1

HOLE Ø4 TO PRE-INDEX IN MECHANICAL NEUTRAL POSITION
Ø8.5±0.2 (2x), FIXING OF THE VALVE BY SCREW: M8
TORQUE: 28Nm MAX.



1	SUPPLY
2	DELIVERY
THERMAL RANGE	-40°C ... +80°C
WORKING PRESSURE	P1= 11 bar MAX.
EXCEPTIONAL INLET PRESSURE	P1= 14 bar MAX.
RESIDUAL PRESSURE	P2= 0.6±0.3 bar

General Specification: JED-334-1 - Size ISO 14405 LP		Copyright WABCO®	
Further Technical Data/Product Specification PRO0070010		Date	Signature
Doc. Code: 035	Sheet: 1 To 5	2018-09-24	Scavaron
General Tolerances JED-261		Checked	
Range of Nominal Dimensions (± mm)		2018-09-24	
Class	1) ≤ 50	> 50	> 180
Fine	± 0.1	± 0.15	± 0.2
Medium	± 0.2	± 0.3	± 0.4
Coarse	± 0.3	± 0.5	± 0.6
Tapped Holes acc.		Expert	
1) Tolerance Class Applied Crossmarked		THOMAS BILSING	
Mass	0.212 kg	Scale	1:1 (2:1)
Size	A 1	CAD System	CREO
Material No.		Date of first issue:	2016-12-14
PRO 007 030 0		Doc.Code	005
Revision		Language	EN
177205		Techn. Resp.	5642_AM
1		Replacement for	

Non è permesso copiare o riprodurre questo documento, né utilizzare il contenuto a fini commerciali (senza permesso scritto dalla WABCO).
 Toute réimpression ou reproduction de ce document, toute exploitation ou communication de son contenu sans autorisation écrite de la WABCO sont interdites.
 No is permitted to copy or reproduce this document, nor to use its content for commercial purposes (without written permission from WABCO).
 Keine Nachdruck, Vervielfältigung oder Verbreitung, auch auszugsweise, ist ohne schriftliche Genehmigung der WABCO.
 This document is the property of WABCO. All rights reserved. No part of this document may be reproduced or transmitted in any form or by any means electronic or mechanical, including photocopying, recording, or by any information storage and retrieval system, without written permission from WABCO.