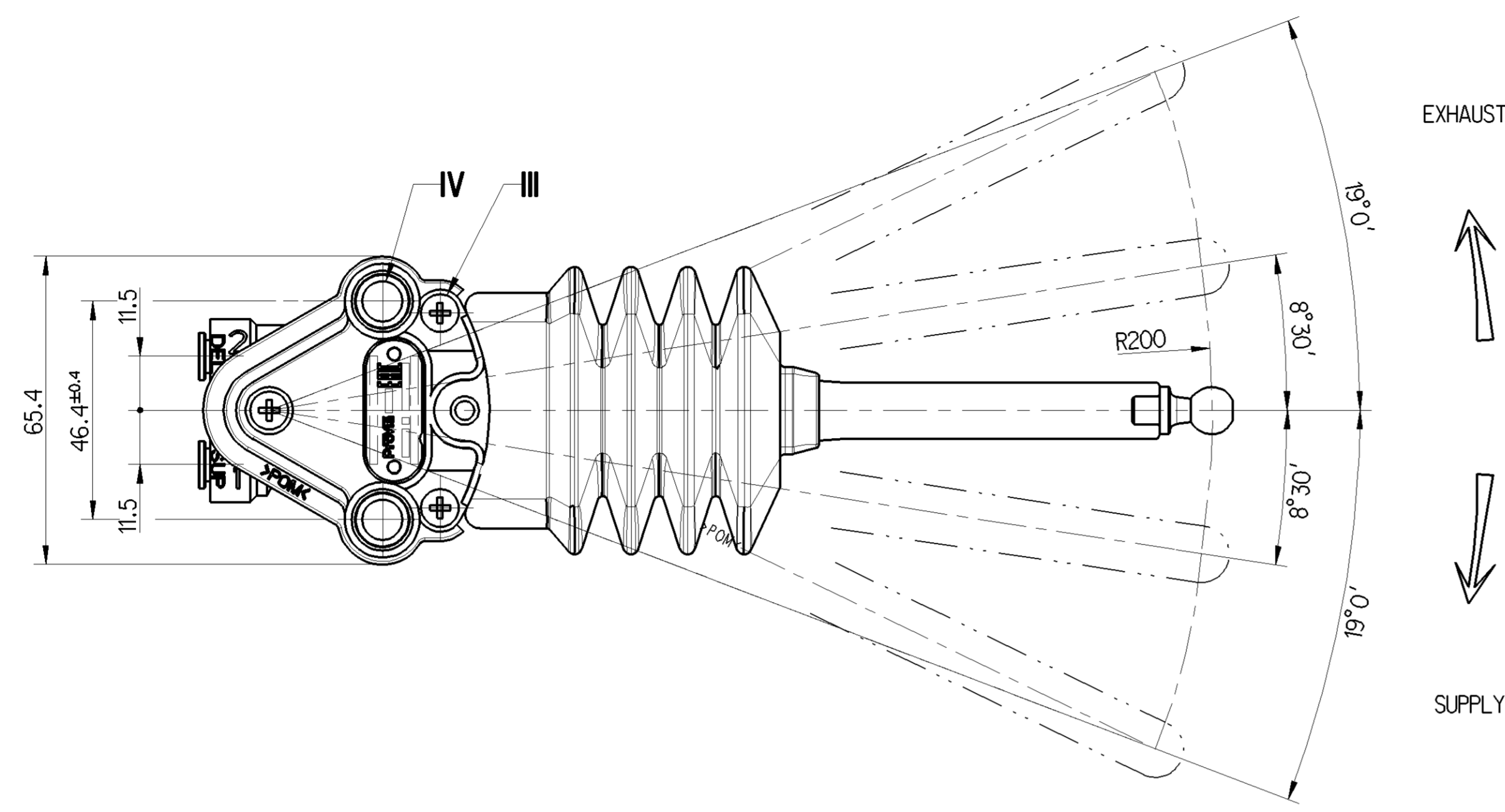


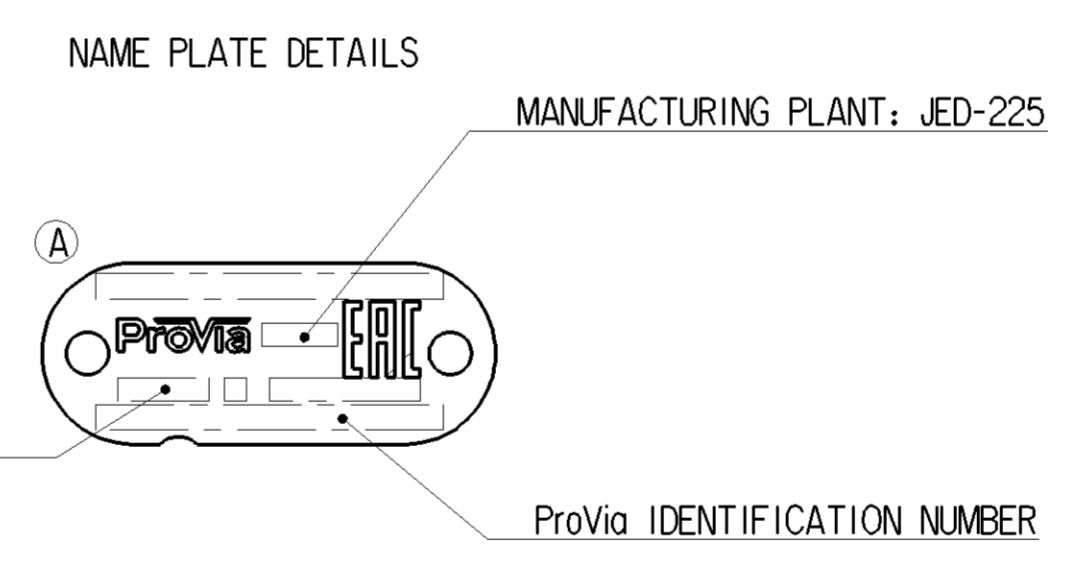
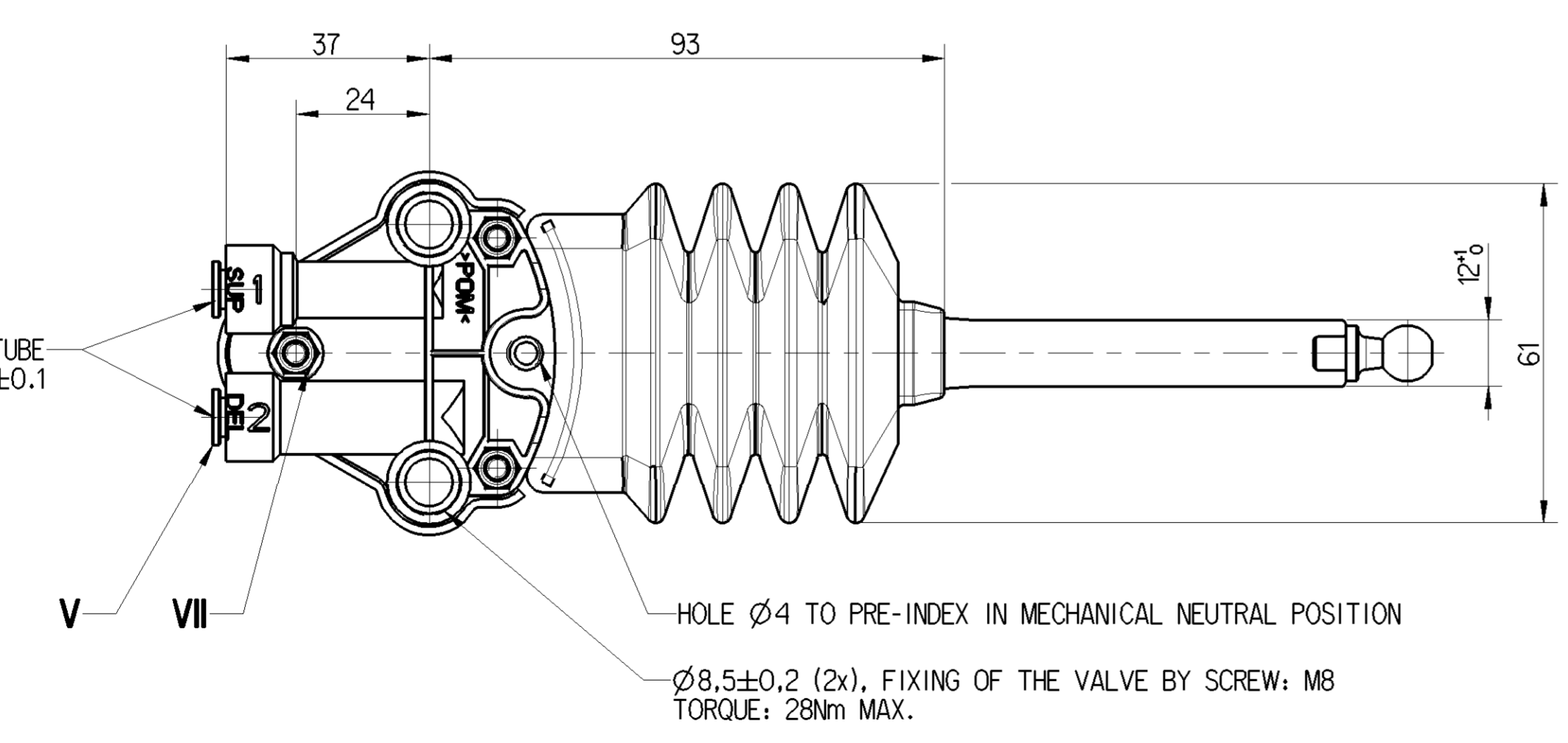
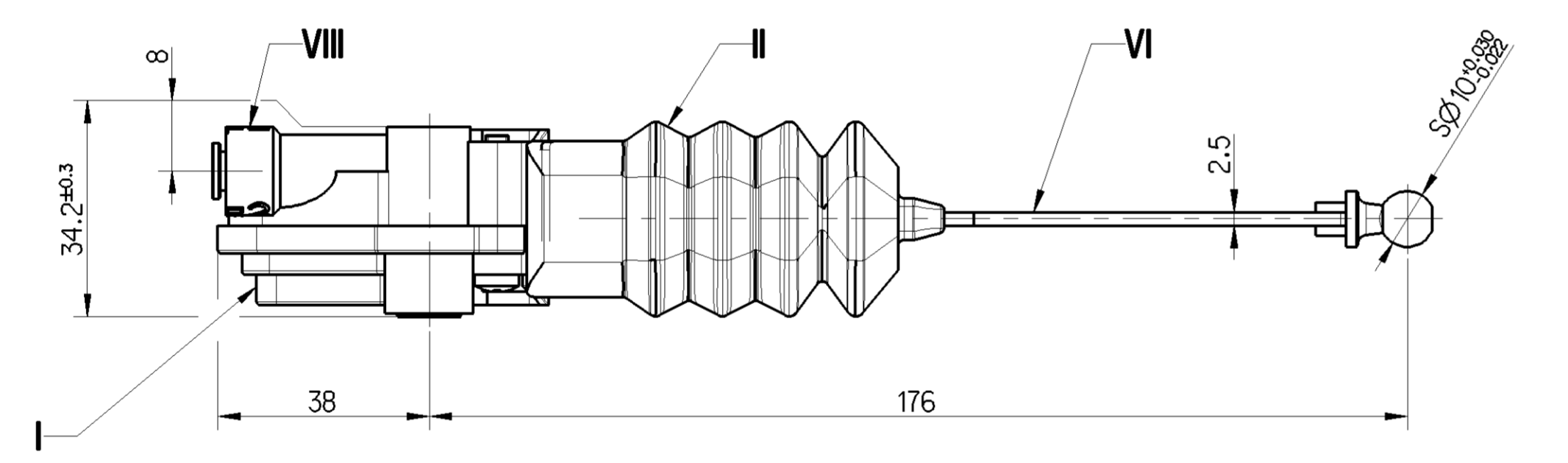
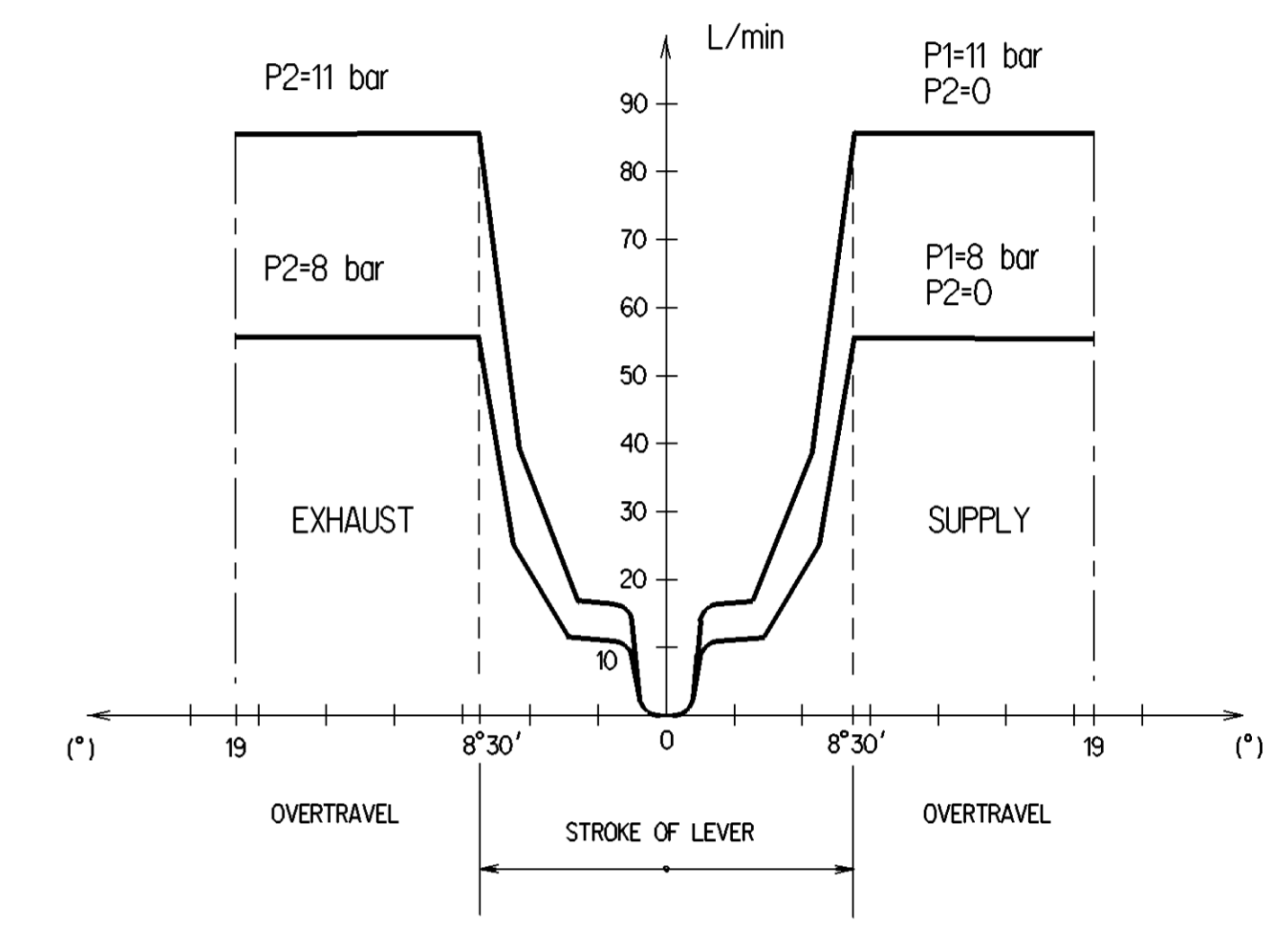
<-	SAFETY CHARACTERISTICS	0
<->	SIGNIFICANT CHARACTERISTICS	0



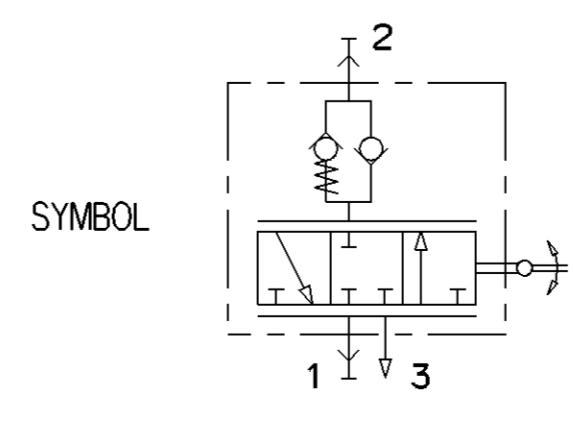
EXHAUST
↑
↓
SUPPLY

	MATERIAL	SURFACE PROTECTION
I	POM	
II	EPDM	
III	STEEL	Zn
IV	STEEL	Zn
V	PA 6.6 30GF	
VI	STEEL	Zn
VII	STEEL	Zn
VIII	POM	

FLOW RATE FOR : P1=8 bar and P1=11 bar



1	SUPPLY	
2	DELIVERY	
THERMAL RANGE		-40°C ... +80°C
WORKING PRESSURE		P1= 11 bar MAX.
EXCEPTIONAL INLET PRESSURE		P1= 14 bar MAX.
RESIDUAL PRESSURE		P2= 0.6±0.3 bar



General Specifications: JED-334-1 - Size ISO 14405 LP		Copyright WABCO®	
Further Technical Data/Product Specification PRO0070010		Date	Signature
Doc. Code: 035	Sheet: 1 To 5	2018-09-24	Saravanan
General Tolerances JED-261		2018-09-24	Vallarasu
Range of Nominal Dimensions (± mm)		Expert	
Class	1) ≤ 50 > 50 > 180 > 400	THOMAS BILSING	
Fine	0.5 1.0 1.5 2.0	Mass	0.215
Medium	1.0 2.0 3.0 4.0	Scale	1:1 (2:1)
Coarse	2.0 3.5 5.0 6.5	Size	PRO 007 036 0
Tapped Holes acc.		Material No.	005
1) Tolerance Class Applied Crossmarked		Date of first issue:	2016-12-05
		Doc. Code	EN
		Revision	1
		Techn. Resp.	5642-AM
		Replacement for	

Non è permesso copiare o riprodurre questo documento, né utilizzare il contenuto a fini commerciali, senza permesso scritto dalla WABCO. È vietata espressamente la ristampa o l'uso non autorizzato. Toute réimpression ou utilisation non autorisée sans la permission écrite de la WABCO est formellement interdite. Toute utilisation non autorisée sera considérée comme acte de contrefaçon et sera poursuivie en justice.