

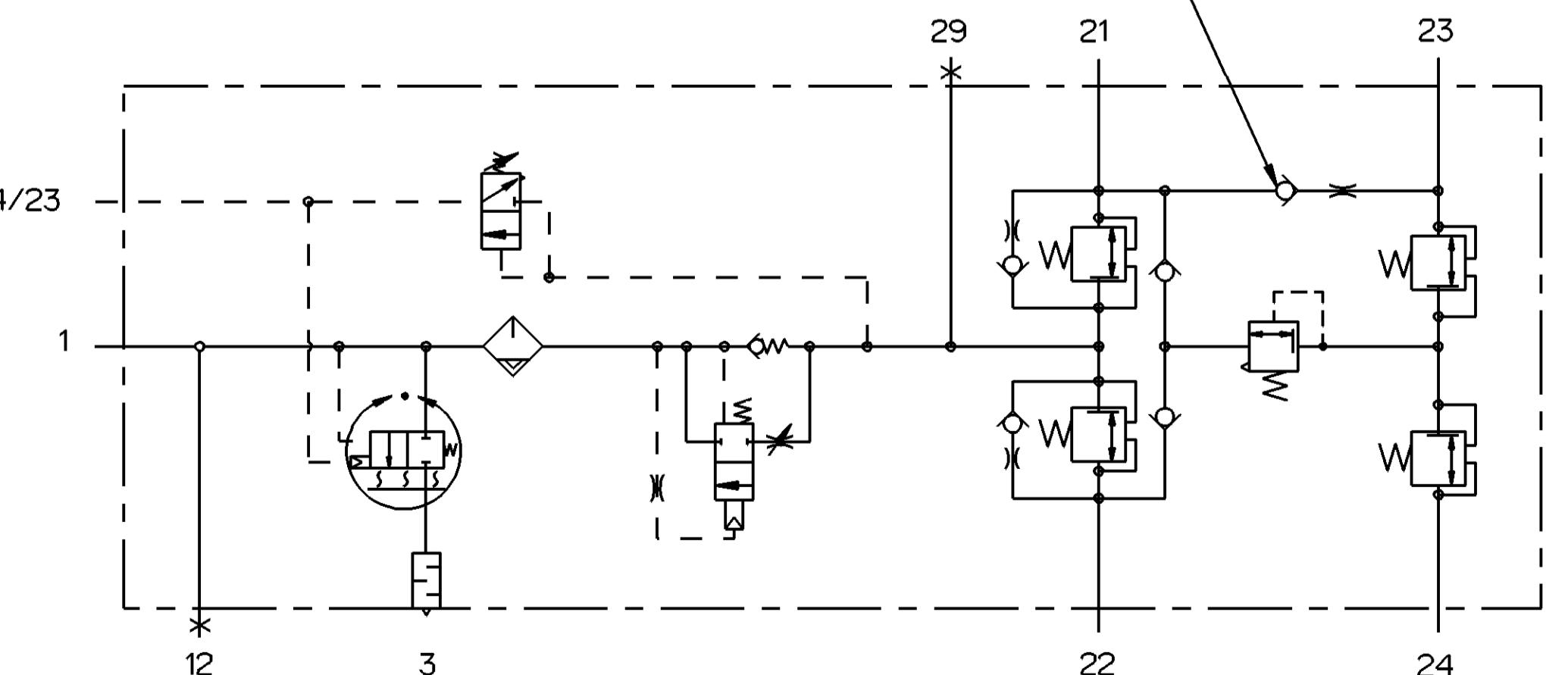
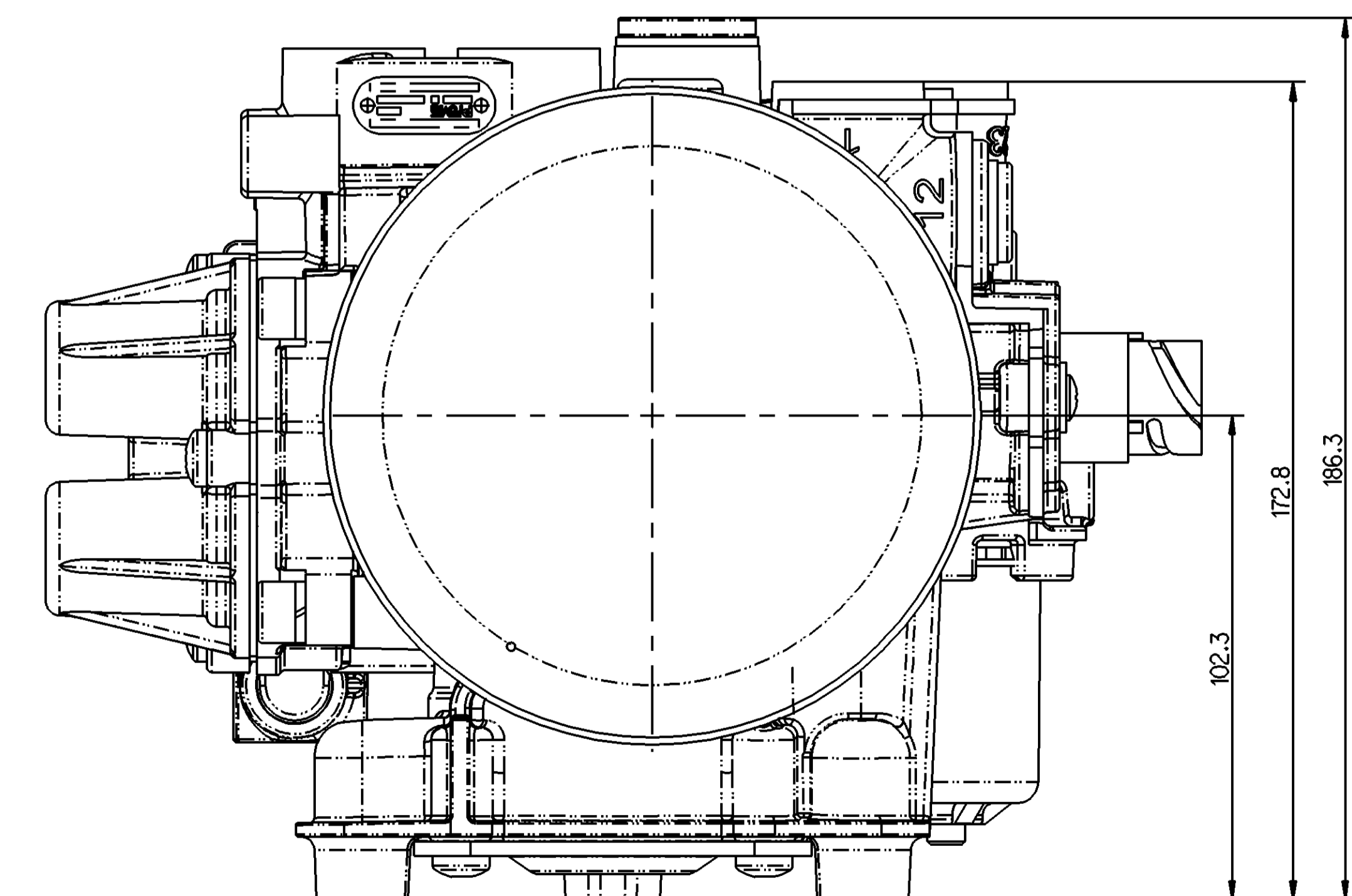
CIRCUIT TECHNICAL PARAMETERS (BAR)				
CONNECTING PORT	21	22	23	24
OPENING PRESSURE	$6.5^{0}_{-0.3}$ (COMPLETELY OPEN)	$6.5^{0}_{-0.3}$ (COMPLETELY OPEN)	$7.0^{0}_{-0.3}$	$6.5^{0}_{-0.3}$
STATIC CLOSING PRESSURE	0	≥5.0	0	≥5.0
	≥5.0	0	≥5.0	≥5.0
	≥5.0	≥5.0	0	≥5.0
LIMITING PRESSURE			$8.5^{0}_{-0.3}$	0

REMARKS: WHEN PORTS 21, 22 ARE BY PASS INLET PORTS, THE OPENING PRESSURE IN PORTS 21 AND 22 IS ZERO

- TECHNICAL DATA
- WORKING MEDIUM: COMPRESSED AIR
  - MAXIMUM WORKING PRESSURE:  $P_e$  MAX. +13bar
  - OUT OUT PRESSURE:  $12.0 \pm 0.2$  bar
  - OPERATING RANGE:  $1.3^{+0.7}$  bar
  - DYNAMIC PRESSURE OF SAFETY VALVE:  $13.0^{+0.7}$  bar
  - BACK FLOW LIMITING VALVE:  $0.55 \pm 0.3$  bar
  - THERMAL RANGE OF CONTINUOUS APPLICATION: -40°C...+65°C
  - RESISTANCE TO HEAT: +80°C MAX
  - HEATING VOLTAGE: 24V, CUT-IN TEMPERATURE:  $7 \pm 3$ °C, CUT-OFF TEMPERATURE:  $29.5 \pm 3$ °C
  - THE OTHER TECHNICAL SPECIFICATIONS MEET WITH QC/T370C/T996

AIR PROCESSING UNIT		
PORT	FUNCTION	THREAD
1	AIR COMPRESSOR INLET PORT	M22X1.5
12	EXTRA AIR INLET PORT	M16x1.5 (BLOCK)
21	FROM AIR OUTLET TO BACK SHAFT OF SERVICE CIRCUIT	M22x1.5VOSS NG12
22	FROM AIR OUTLET TO FRONT AXLE OF SERVICE CIRCUIT	M22x1.5VOSS NG12
23	FROM AIR OUTLET TO PARKING CIRCUIT	M22x1.5VOSS NG12
24	FROM AIR OUTLET TO AUXILIARY CIRCUIT	M22x1.5VOSS NG12
3	AIR OUTLET	
4/23	CONTROLLING PORT THAT IS CONNECTED WITH AIR COMPRESSOR	M16 x1.5VOSS NG8
29	FROM AIR INLET TO AIR SUSPENSION	M22x1.5VOSS(BLOCK)

WHEN THE PRESSURE IN PORT 21 IS ZERO, THE MAXIMUM PRESSURE IN PORT 23 IS 13bar.



General Specification: ISO 8768, ISO 1541, Size G3/4x1.5		Copyright ©		<b>Provia</b>	
Further Technical Data/Product Specification		Date		2023-07-10	
Doc. Code: 030		Sheet		1 of 1	
Revision		Drawn		Murugan	
General Tolerance: ISO 2011		Checked		Prathap	
Range of Nominal Dimensions (d in mm)		Dimension in mm		Date of first issue: 2023-07-20	
Class	11	12	13	14	15
11	12	13	14	15	16
17	18	19	20	21	22
23	24	25	26	27	28
29	30	31	32	33	34
35	36	37	38	39	40
41	42	43	44	45	46
47	48	49	50	51	52
53	54	55	56	57	58
59	60	61	62	63	64
65	66	67	68	69	70
71	72	73	74	75	76
77	78	79	80	81	82
83	84	85	86	87	88
89	90	91	92	93	94
95	96	97	98	99	100
Tapped holes acc. ISO 9898		Material No.		PRO 501 202 0	
Tolerance/Size Approx. (nominal)		Scale		1:1	
A 0		CSO		EN 1/1	