

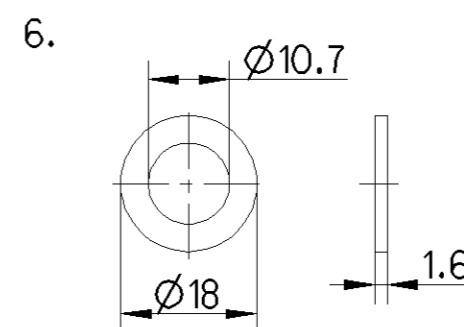
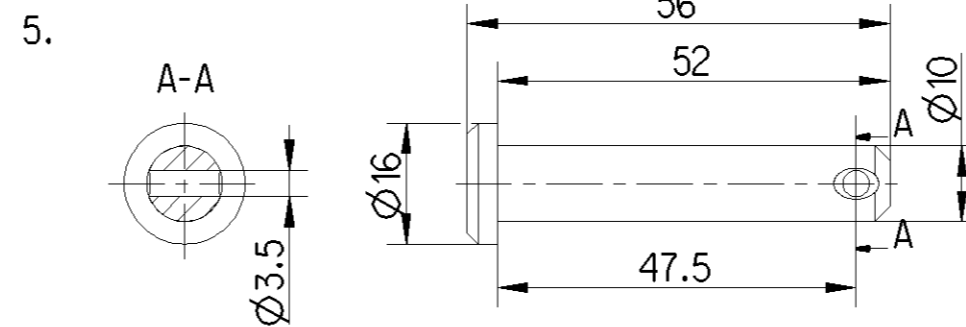
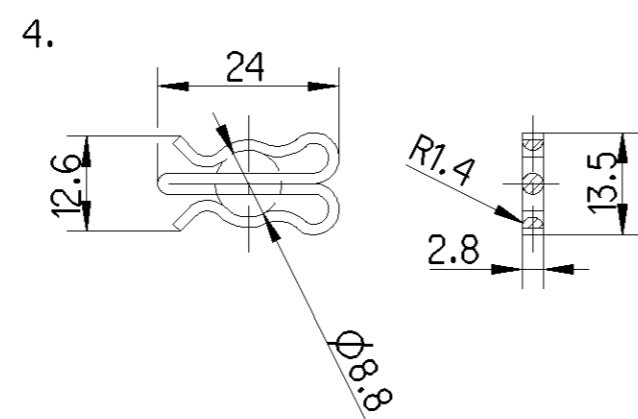
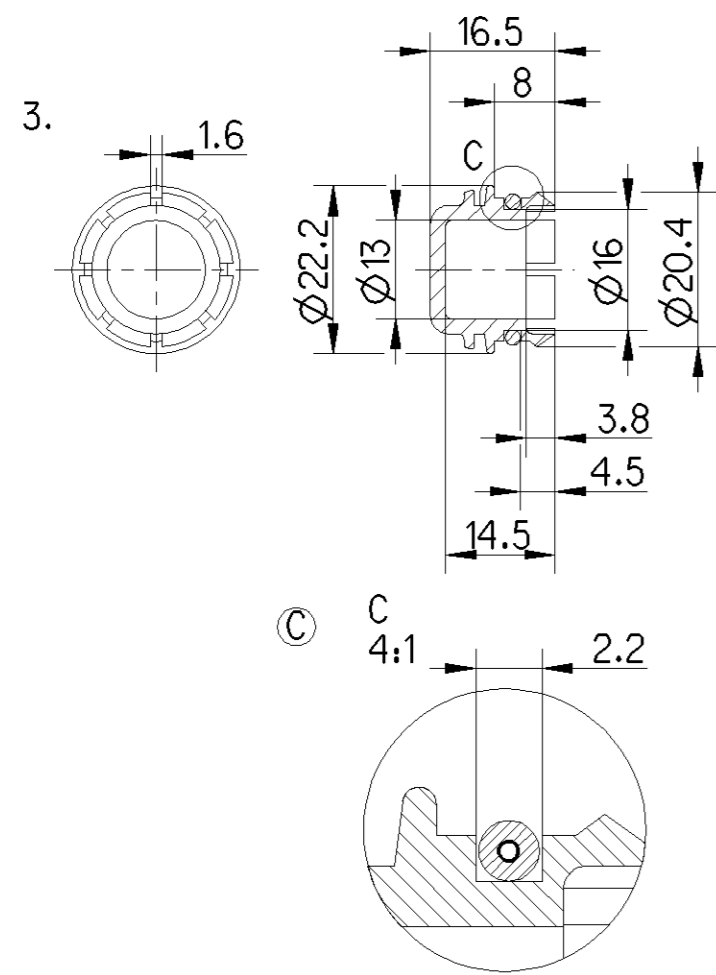
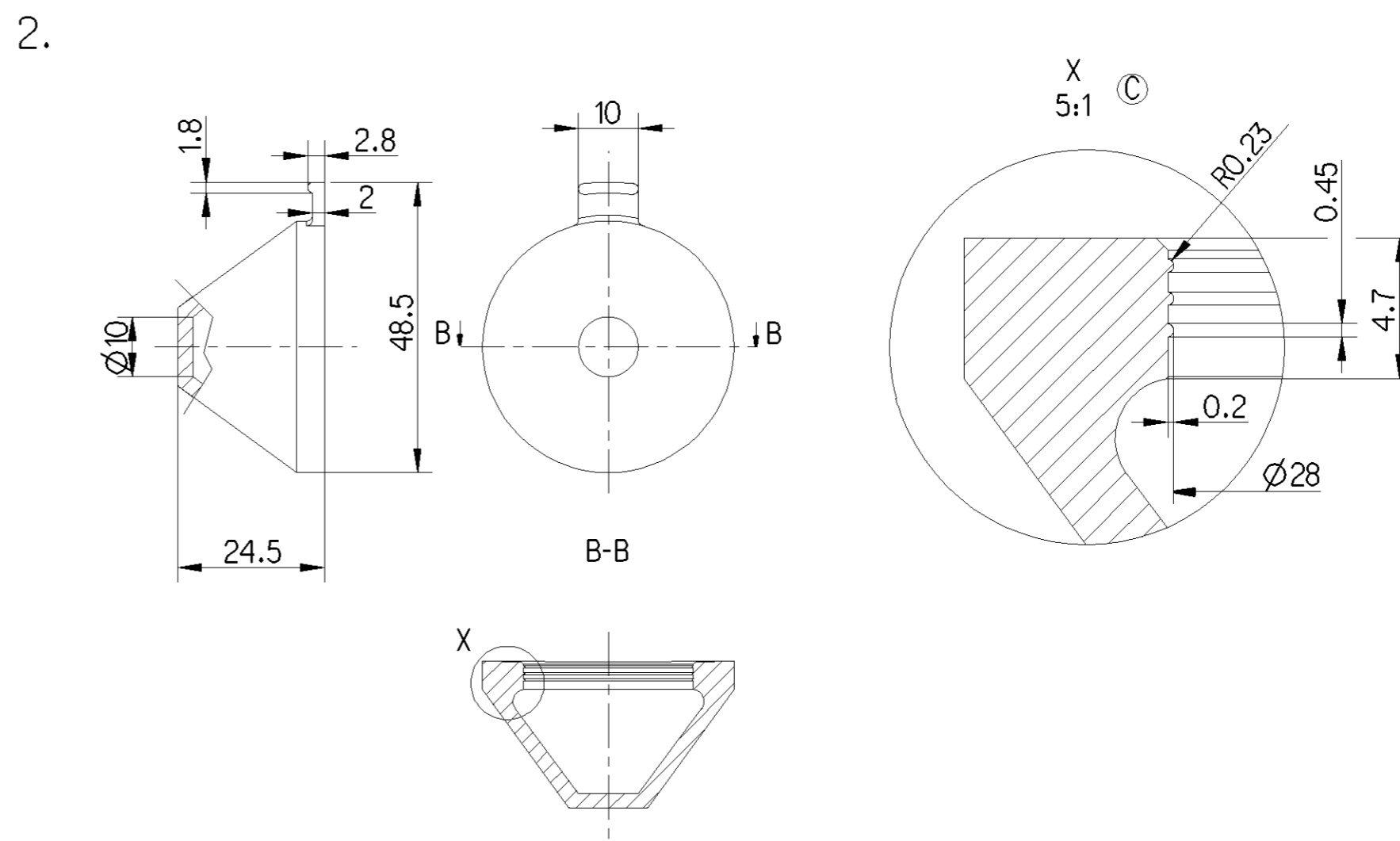
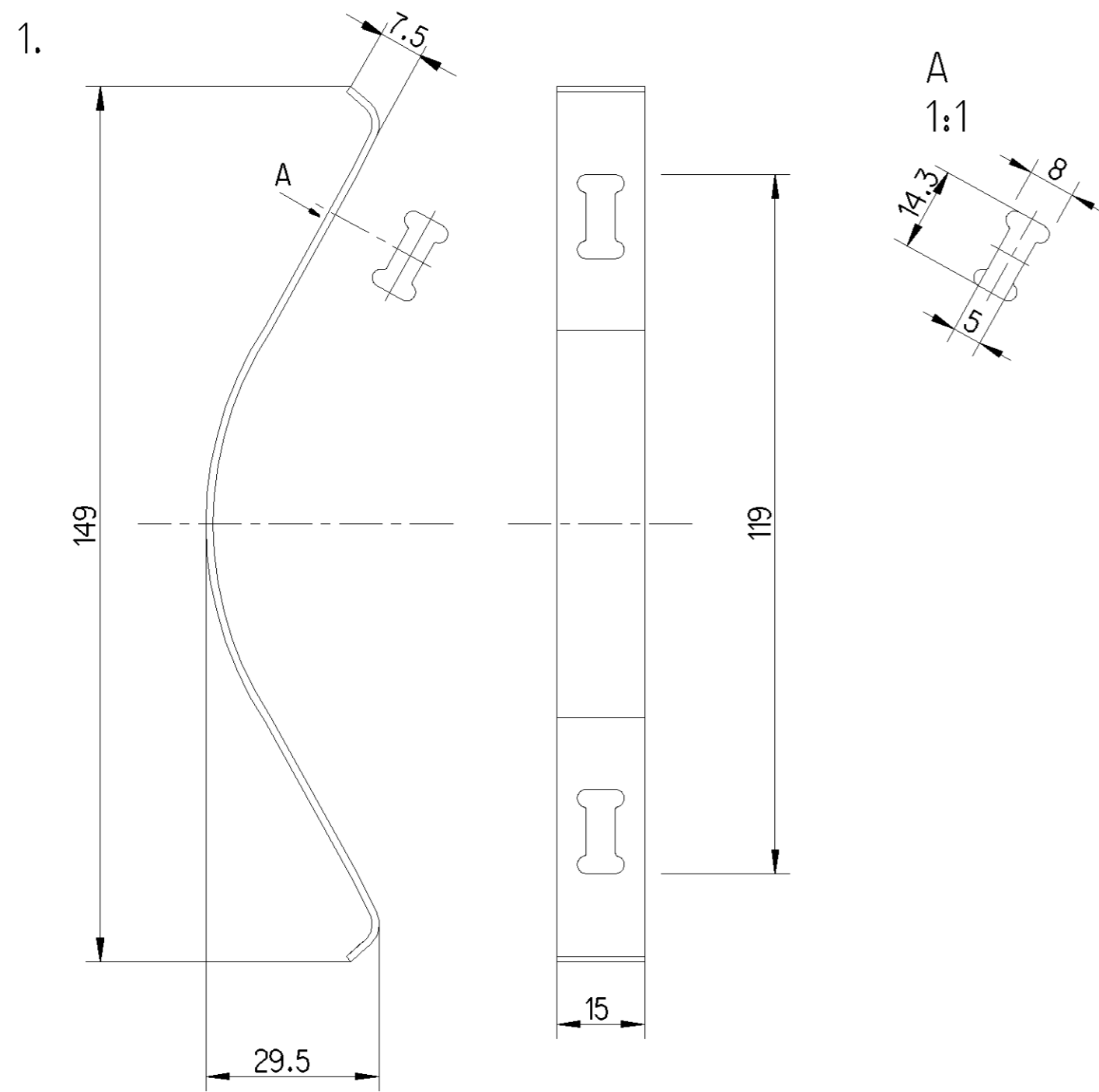


Non e permesso copiare, o terzi o riprodurre questo documento, ne utilizzare il contenuto o renderlo comunque noto a terzi senza autorizzazione esplicita. Ogni infrazione costituisce un evidente abuso e comportera il risarcimento dei danni subiti. E' fatta riserva di tutti i diritti derivanti da brevetti o modelli.

Copying of this document and giving it to others and the use or communication of the contents thereof, are forbidden without express authority. Contravention of this restriction will constitute an evident abuse and result in a liability to the payment of damages. All rights are reserved in the event of the grant of patent or registration of a utility model or design. This document is the subject of copyright.

Tout e permis de copier, ou de reproduire, ou de communiquer ou de rendre public ce document, sans autorisation expresse. Toute violation de cette regle constitue un abus evident et expose son auteur au versement de dommages et interets. Tous droits de propriete industrielle reserves, notamment en matiere de brevets et de modesles.

Wiederholung sowie Verbreitung dieser Unterlagen, Verfertigen und Mitteilen ihres Inhalts nicht gestattet, soweit nicht ausdreslich ansonsten, weitergegeben, stellen eine offensichtliche Missbrauch dar und verpflichten zu Schadensersatz. Alle Rechte hier den Fall der Patentierung oder Gebrauchsmuster-Eintragung vorbehalten.



POS.	NAME	QUANTITY
1	CLIP	4
2	CAB	2
3	PROTECTING CAP	2
4	LOCKING SPRING	2
5	BOLT	2
6	WASHER	2

General Specification: JED-334-1, Size ISO 14405 LP		Copyright WABCO®		<b>ProVia</b>	
Further Technical Data: Part Specification		Date	Signature		
Doc. Code: 014	Sheet: To	2018-07-16	Cebula	PAD KIT	
General Tolerances JED-261		Checked	2018-07-17		
Range of Nominal Dimensions ( ± mm)		Expert		Lisztwan	
Class	1) ≤ 50 > 50 ≤ 180 > 180 ≤ 400 > 400	Material No.		Date of first issue: 2016-03-26	
Fine	0.5 1.0 1.5 2.0	Mass	Scale	Doc. Code Language Sheet	
Medium	X 1.0 2.0 3.0 4.0	0.5 kg	1:1 (4:1, 5:1)	340 901 071 2	
Coarse	2.0 3.5 5.0 6.5	Size	CAD System	005 EN 2/2	
Tapped Holes acc. -		A 2	CREO	ECN-No. 176932	
1) Tolerance Class Applied Crossmarked		Revision 7 x C		Techn. Resp. 0959	
		Replacement for -			

100mm