

CLEARANCE OF MIN. 3 - MAX 6 DIGITS BETWEEN BATCH NUMBER AND ENVIRONMENTAL MARKING

DRAFT FOR TEXT AREAS EXPLANATION ONLY. DRAFT CAN BE DIFFERENT TO THE REAL PART.

IDENTIFICATION	DESIGNATION	KIND OF MARKING	COLOUR	SIZE OF TYPES RESP. STANDARD	REMARKS
e	PROVIA - LOGO	TAMPON / UV-BRANDING	WHITE	SIZE 6	
f	PROVIA - SET NUMBER	TAMPON / UV-BRANDING	WHITE	HEIGHT OF CHARACTERS 5±1MM HEIGHT OF CHARACTERS AND POSITION OF THE MARKING MAY BE ACC. TO THE SHAPE OF THE BACKING PLATE	
g	PROVIA - SALES REFERENCE, US-CODE (WHEN EXIST)	TAMPON / UV-BRANDING	WHITE		
h	NUMBER OF WVA	TAMPON / UV-BRANDING	WHITE		
j	NUMBER OF ECE	TAMPON / UV-BRANDING	WHITE		
k	COUNTRY OF ORIGIN	TAMPON / UV-BRANDING	WHITE		
l	BATCH NUMBER	TAMPON / UV-BRANDING	WHITE		
m	ENVIRONMENTAL MARKING ACC. TO SAE J866 JUL2012 OR LATEST	TAMPON / UV-BRANDING	WHITE		

- A MAX. 10% LACQUER PERMITTED, WITHOUT MOULD SKIN. (ACC. TO FINISHING CODE)
- B FIRMLY ATTACHED BURR AROUND PAD CONTOUR PERMITTED, MUST NOT PROTRUDE BEYOND BACKING PLATE

POS.	NAME	QUANTITY
1	BRAKE PAD	4

Copyright WABCO®

ProVia
340 901 072 2

Doc. Code: 014 Sheet: To: 2018-07-16 To: 2018-07-17

General Tolerances JED-261

Class	1)	≤ 50	> 50	> 180	> 180	> 400	> 400
Fine		0.5	1.0	1.5	2.0		
Medium	X	1.0	2.0	3.0	4.0		±3°
Coarse		2.0	3.5	5.0	6.5		

Mass: 9.9 kg Scale: 1:1 (2:1)

Size: CAD System

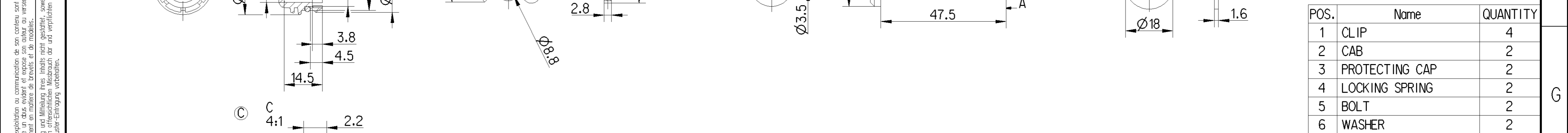
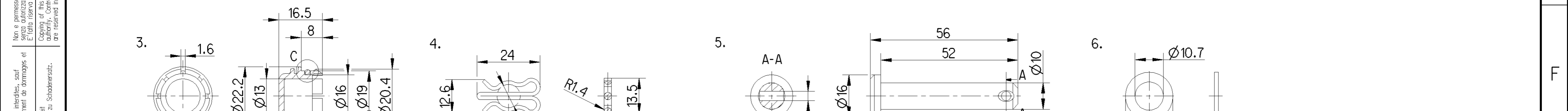
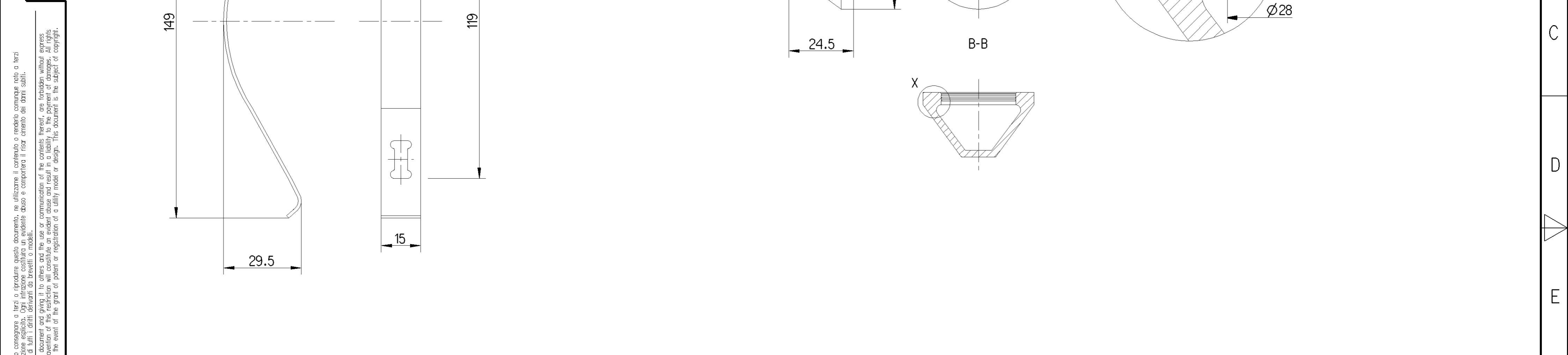
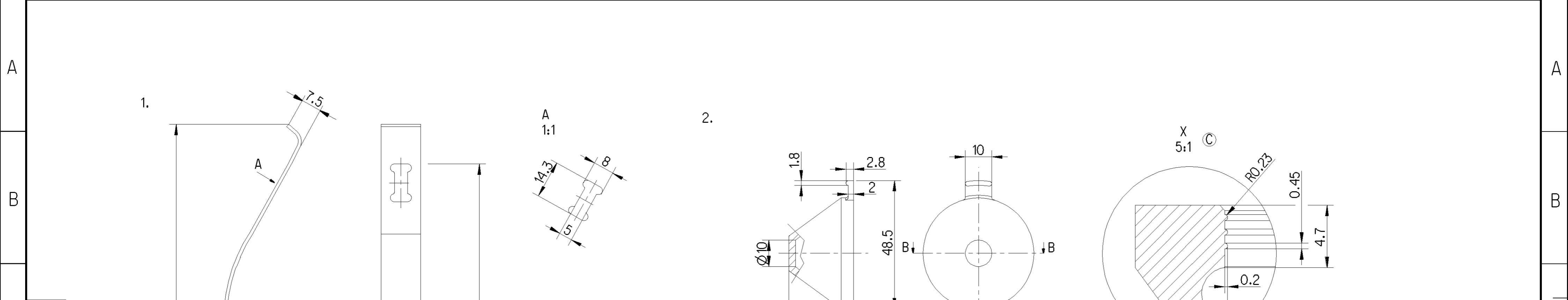
Material No.: 340 901 072 2 Date of first issue: 2016-03-26

Doc. Code: 005 Language: EN Sheet: 1/2

Revision: 7 x C Tech. Resp.: 0959

1) Tolerance Class Applied Crossmarked

Non è permesso copiare o riprodurre questo documento, né utilizzare il contenuto a fini commerciali, senza permesso scritto dalla WABCO. Tutti i diritti sono riservati.
 Toute réimpression ou reproduction de ce document, sans autorisation écrite de la WABCO, est formellement interdite.
 Wollungen sowie Vervielfältigung dieses Unterlegens, Verwertung und Mitteilung ihres Inhalts nicht gestattet, soweit nicht ausdrücklich anders angegeben.
 All rights reserved.
 All rights reserved.
 All rights reserved.



POS.	Name	QUANTITY
1	CLIP	4
2	CAB	2
3	PROTECTING CAP	2
4	LOCKING SPRING	2
5	BOLT	2
6	WASHER	2

General Specification: JED-334-1, Size ISO 14405 LP

Copyright WABCO®

Further Technical Data: Part Specification

Doc. Code: 014 Sheet: To

Date: 2018-07-16 Signature: Cebula

Drawn: Cebula

Checked: 2018-07-17 Marcirkiewicz

Expert: Lisztwan

Material No.: 340 901 072 2

Date of first issue: 2015-03-26

Doc. Code: 005 Language: EN Sheet: 2/2

Mass: 9.9 xG Scale: 1:1 (4:1, 5:1)

Size: A 2 CREO

ECN-No.: 176932 Revision: 7 x C Techn. Resp.: 0959

Replacement for: -

General Tolerances JED-261

Class	1)	≤ 50	> 50 ≤ 180	> 180 ≤ 400	> 400
Fine		0.5	1.0	1.5	2.0
Medium	X	1.0	2.0	3.0	4.0
Coarse		2.0	3.5	5.0	6.5

1) Tolerance Class Applied Crossmarked

Non e permesso copiare, o terzi o riprodurre questo documento, ne utilizzare il contenuto o renderlo comunque noto a terzi senza autorizzazione esplicita. Ogni infrazione costituisce un evidente abuso e comporta il risarcimento dei danni subiti. E' fatta riserva di tutti i diritti derivanti da brevetti o modelli.

Copying of this document and giving it to others and the use or communication of the contents thereof, are forbidden without express authority. Contravention of this restriction will constitute an evident abuse and result in a liability to the payment of damages. All rights are reserved in the event of the grant of patent or registration of a utility model or design. This document is the subject of copyright.

Toutte communication ou reproduction de ce document, toute exploitation ou communication de son contenu sont interdites, sauf autorisation expresse. Tout manquement a cette regle constitue un abus evident et expose son auteur au versement de dommages et interets. Tous droits de proprieite industrielle reserves, notamment en matiere de brevets et de modesles.

Wskazane sowie wszelkie powielanie, rozpowszechnianie, wykorzystywanie, w tym w szczególności, przekazywanie, kopiowanie, w całości lub części, bez pisemnej zgody WABCO, jest surowo zabronione. Wszelkie naruszenia, w szczególności, bez pisemnej zgody WABCO, skutkują odpowiedzialnością w zakresie cywilnym, karnym i administracyjnym. Wszelkie prawa zastrzeżone.

Alle Rechte hier den Fall der Patenterteilung oder Gebrauchsmuster-Eintragung vorbehalten.