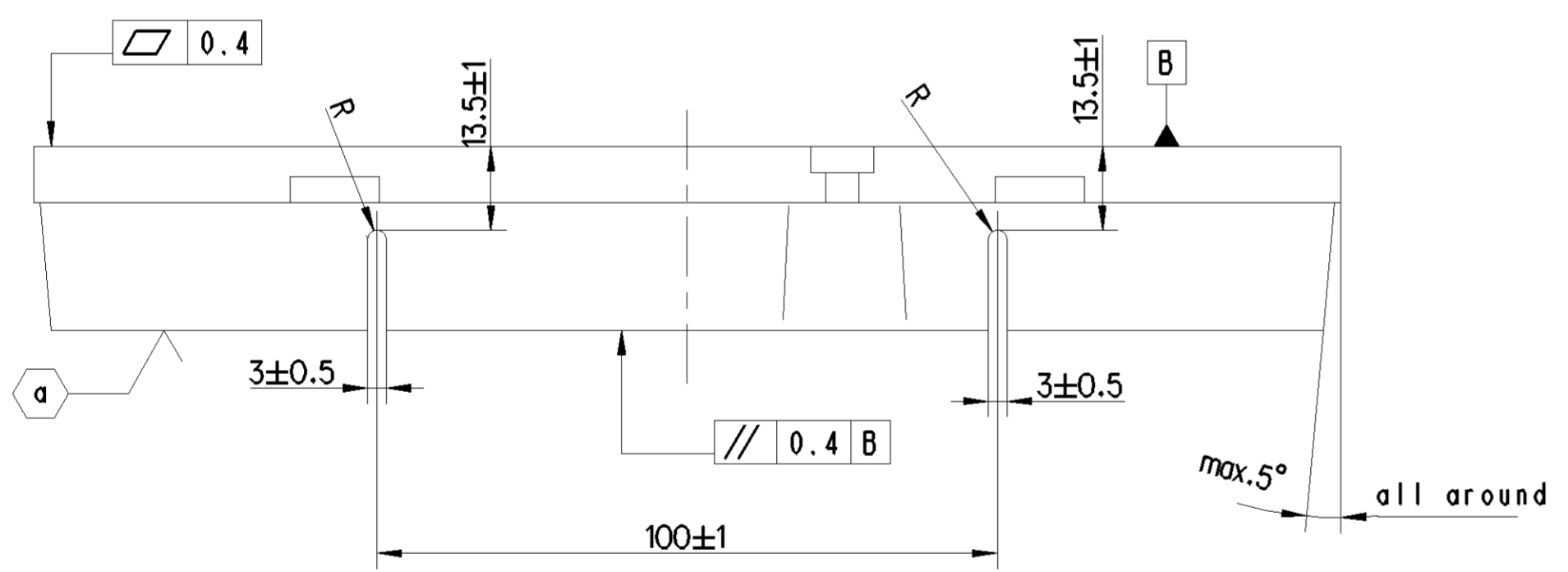
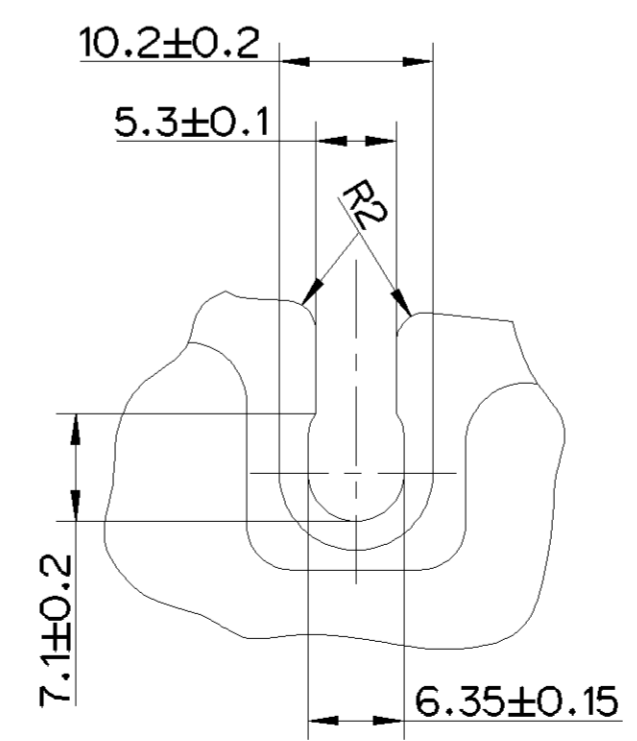


Draft for text areas explanation only. Draft can be different to the real part.

Identification	Designation	Kind of Marking	Colour	Size of Types resp. Standard	Remarks
e	ProVia - Logo	Tompon / UV-branding	white	Size 6	
f	ProVia - Set number	Tompon / UV-branding	white	Height of characters 5 ±1 mm	
g	ProVia - Sales reference, US-Code (when exist)	Tompon / UV-branding	white		
h	Number of WVA	Tompon / UV-branding	white		
j	Number of ECE	Tompon / UV-branding	white		
k	Country of origin	Tompon / UV-branding	white		
l	Batch number	at markers option	white		
m	Environmental marking acc. to SAE J866 JUL2012 or latest	at markers option	white	Height of characters and position of the marking may be acc. to the shape of the backing plate	



Detail A
M 2:1



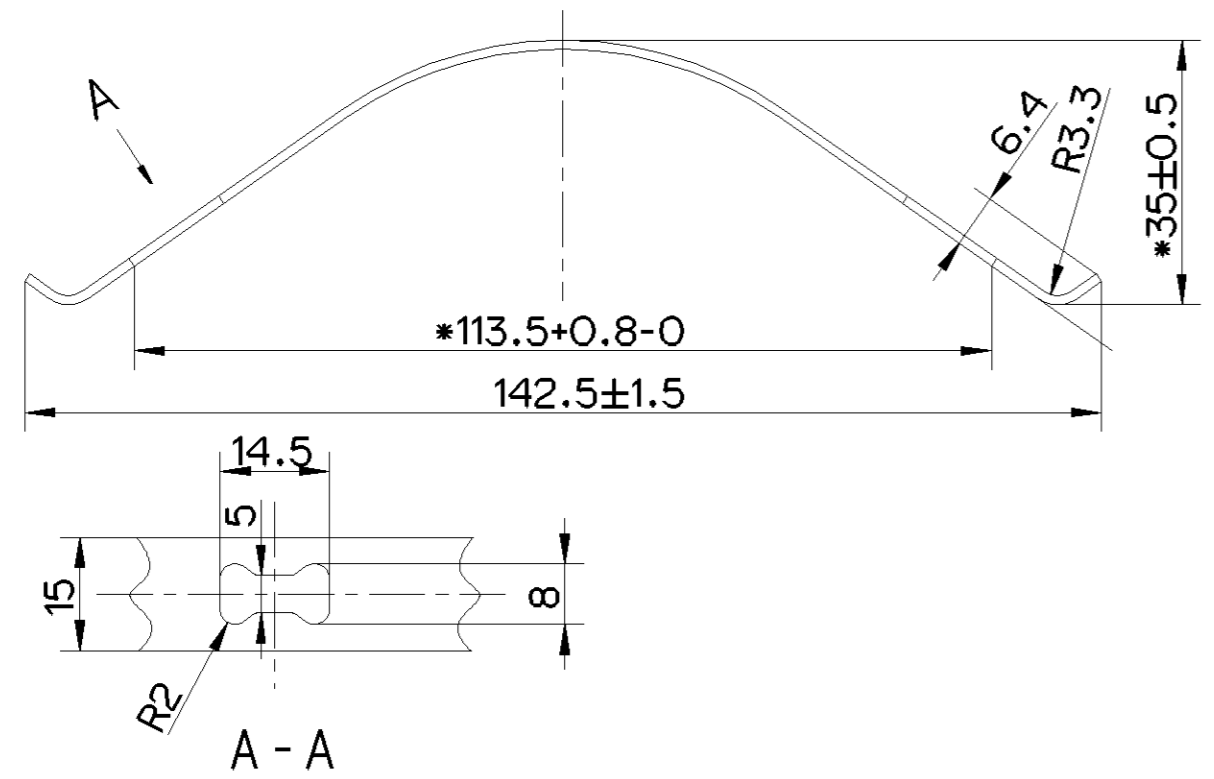
- a Max. 10% lacquer permitted, without mould skin. (acc. to finishing code)
- b Firmly attached burr around pad contour permitted, must not protrude beyond backing plate

Pos.	Name	Quantity
1	Brake pad	4

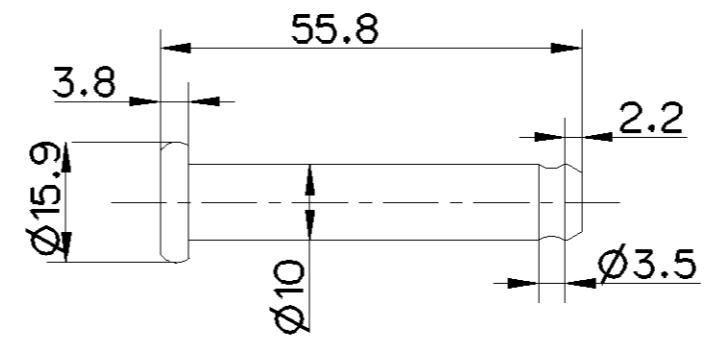
General Specification: JED-334-1 - Size ISO 14405 LP		Copyright WABCO®	
Further Technical Data: PART SPECIFICATION		Date	Signature
Doc. Code: 014	Sheet: 1 To 4	2018-01-11	Liszwan
General Tolerances JED-261		2018-02-09 Przybysz	
Range of Nominal Dimensions (± mm)		Expert	
Class	1) < 50	50 > 180	> 180 > 400
Fine	0.5	1.0	1.5
Medium	X 1.0	2.0	3.0
Coarse	2.0	3.5	5.0
Tapped Holes acc. -		±3°	
1) Tolerance Class Applied Crossmarked		Mass	Scale
		10.3	1:1
		Size	CAD System
		A 1	CREO
		Material No. 340 901 073 2	
		Date of first issue:	2016-03-26
		Doc. Code	005
		Language	EN
		Revision	1x C
		Techn. Resp.	0959
		Replacement for	-

Non e permesso copiare o riprodurre questo documento, ne utilizzare i contenuti a fini commerciali o per la produzione di altri documenti, senza permesso scritto dalla WABCO. Tutti i diritti sono riservati. Toute réimpression ou utilisation non autorisée sans la permission écrite de la WABCO est formellement interdite. Toute utilisation non autorisée sera considérée comme étant illicite.

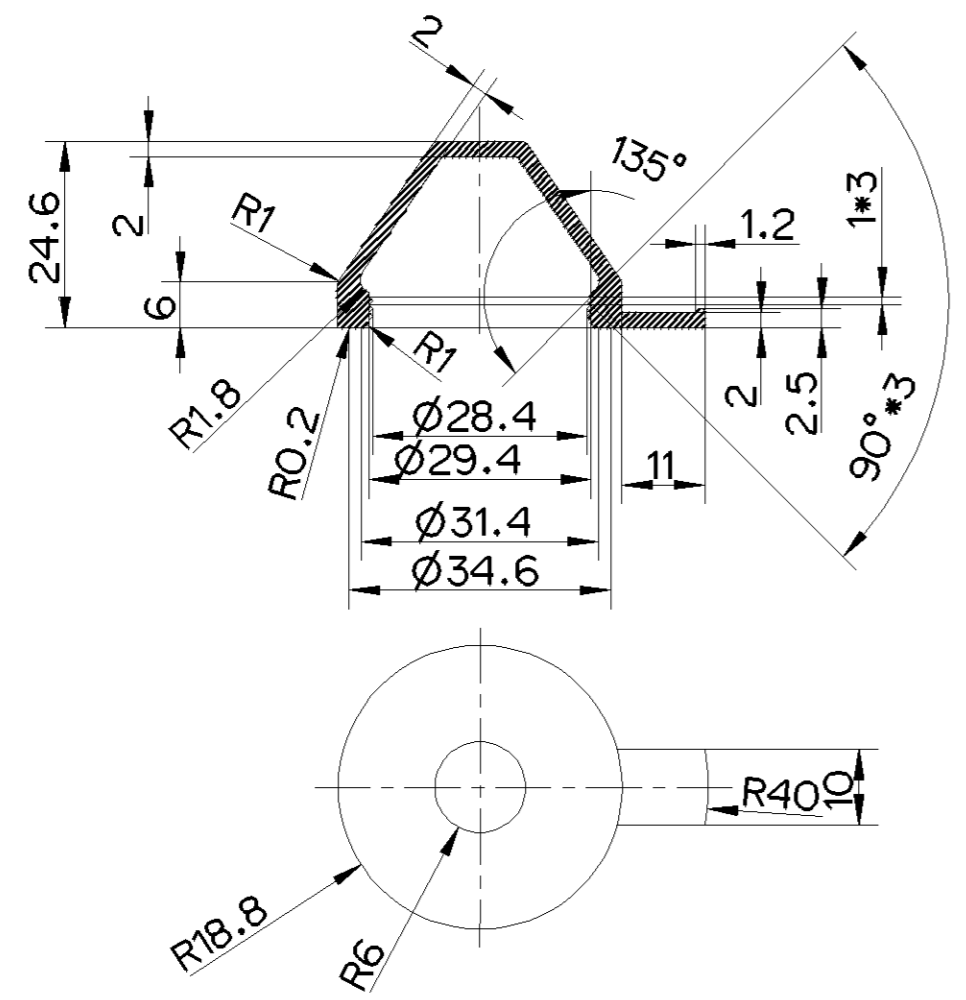
1.



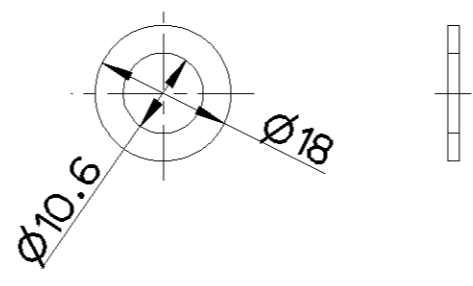
2.



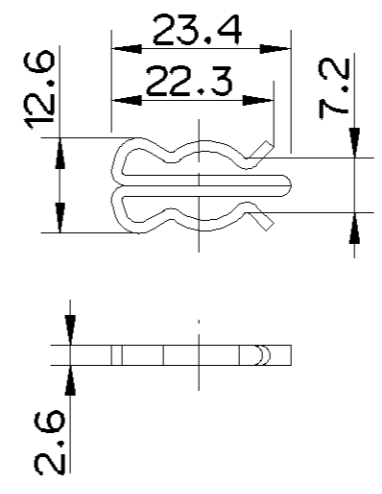
3.



4.



5.



Pos.	Name	Quantity
1	Piston clip	4
2	Piston clip	2
3	Cap	2
4	Piston clip	2
5	Piston clip	2

Non e permesso copiare, o terzi o riprodurre questo documento, ne utilizzare il contenuto o renderlo comunque noto a terzi senza autorizzazione esplicita. Ogni infrazione costituisce un evidente abuso e comportera il risarcimento dei danni subiti. E' fatta riserva di tutti i diritti derivanti da brevetti o modelli.

Copying of this document and giving it to others and the use or communication of the contents thereof, are forbidden without express authority. Contravention of this restriction will constitute an evident abuse and result in a liability to the payment of damages. All rights are reserved in the event of the grant of patent or registration of a utility model or design. This document is the subject of copyright.

Toutte communication ou reproduction de ce document, toute exploitation ou communication de son contenu sont interdites, sauf autorisation expresse. Tout manquement a cette regle constitue un abus evident et expose son auteur au versement de dommages et interets. Tous droits de proprieite industrielle reserves, notamment en matiere de brevets et de modesles.

Wskazane prawa wzajemnosci tego dokumentu, wzajemnosci i wzajemnosci nie jest dozwolone bez wyrazejnej zgody. Wszelkie naruszenia, w tym wykorzystanie, bez uprzedniego pisemnego zezwolenia, stanowi naruszenie praw autorskich i skutkuje odpowiedzialnoscia cywilna i karna. Wszelkie prawa zastrzezone. Wszelkie prawa zastrzezone. Wszelkie prawa zastrzezone. Wszelkie prawa zastrzezone.

General Specification: JED-334-1, Size ISO 14405 LP		Copyright WABCO®		ProVia	
Further Technical Data:		Date	Signature		
Doc. Code: Sheet: To		2018-01-11	Liszwan	Accessory Kit	
General Tolerances JED-261		Checked	Przybysz		
Range of Nominal Dimensions (± mm)		Expert		Material No.	
Class 1)	≤ 50 > 50 < 180 > 180 < 400 > 400	Liszwan		Date of first issue: 2015-03-26	
Fine	0.5 1.0 1.5 2.0	Mass	Scale	Doc. Code Language Sheet	
Medium X	1.0 2.0 3.0 4.0	0.5 kg	1:1	340 901 073 2	
Coarse	2.0 3.5 5.0 6.5	Size	CAD System	005 EN 2/2	
Tapped Holes acc. -		A 2	CREO	ECN-No. Revision Techn. Resp. Replacement for	
1) Tolerance Class Applied Crossmarked				176085 - C 0959 -	