

Draft for text areas explanation only. Draft can be different to the real part.

Identifi- cation	Designation	Kind of Marking	Colour	Size of Types resp. Standard	Remarks
e	ProVia - Logo	Tampon / UV-branding	white	Size 6	
f	ProVia - Set number	Tampon / UV-branding	white	Height of characters 5 ±1 mm Height of characters and position of the marking may be acc. to the shape of the backing plate	
g	ProVia - Sales reference, US-Code (when exist)	Tampon / UV-branding	white		
h	Number of WVA	Tampon / UV-branding	white		
j	Number of ECE	Tampon / UV-branding	white		
k	Country of origin	Tampon / UV-branding	white		
l	Batch number	of markers option	white		
m	Environmental marking acc. to SAE J866 JUL2012 or latest	of markers option	white		

a Max. 10% lacquer permitted, without mould skin.
(acc. to finishing code)

B

b Firmly attached burr around pad contour permitted,
must not protrude beyond backing plate

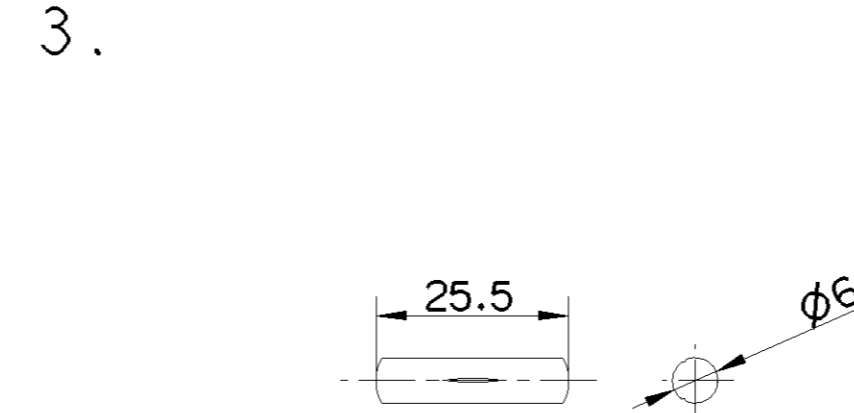
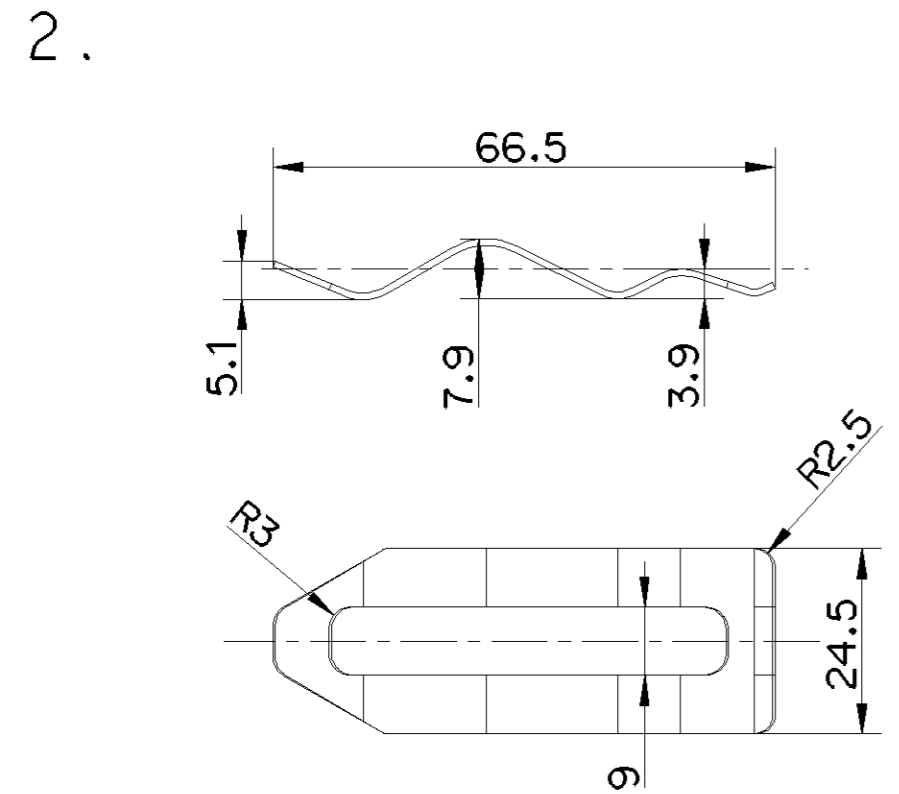
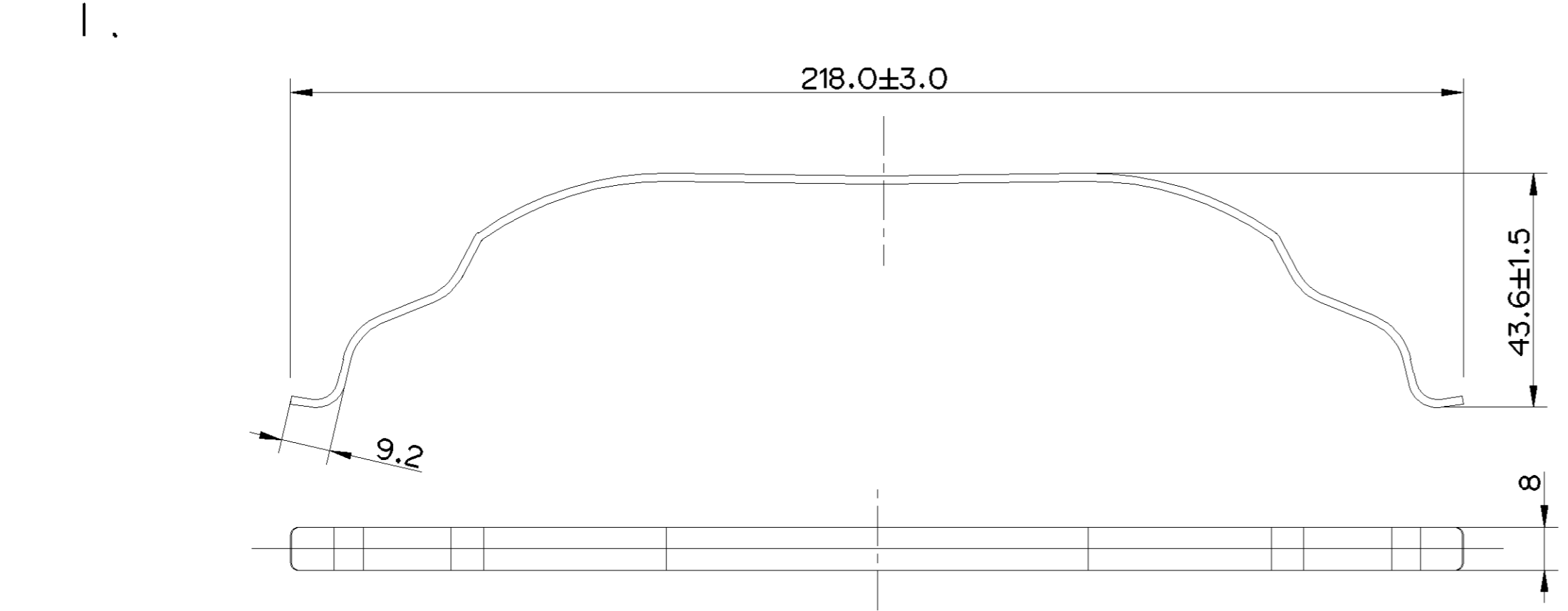
Pos.	Name	Quantity
1	Brake pad	4

General Specification: JED-334-1 - Size ISO 14405 LP		Copyright WABCO®	
Further Technical Data: PART SPECIFICATION		Date	Signature
Doc. Code: 014	Sheet: 1 To 4	2018-01-12	Liszwan
General Tolerances JED-261		Checked: Przybyz	
Range of Nominal Dimensions (± mm)		Expert	
Class	1) ≤ 50 > 50 > 180 > 180 > 400 > 400	Mass	Scale
Fine	0,5 1,0 1,5 2,0	10,0	1:1
Medium	X 1,0 2,0 3,0 4,0	kg	
Coarse	2,0 3,5 5,0 6,5	Size	CAD System
Tapped Holes acc. -		A 1	CREO
1) Tolerance Class Applied Crossmarked		Material No. 340 902 001 2	
		Date of first issue: 2018-09-26	
		Doc. Code Language Sheet	
		005 EN 1/2	
		Revision Tech. Resp. Replacement for	
		176085 2x B 0959	

100mm

Non è permesso copiare o riprodurre questo documento, né utilizzare il contenuto a fini commerciali, senza permesso scritto dalla WABCO. È vietata espressamente la ristampa o l'uso non autorizzato. Toute réimpression ou utilisation non autorisée sans la permission écrite de la WABCO est formellement interdite. Toute utilisation non autorisée sera considérée comme une violation des lois en vigueur. All rights reserved. No part of this document may be reproduced, stored in a retrieval system, or transmitted in any form or by any means, electronic, mechanical, photocopying, recording, or by any information storage and retrieval system, without the prior written permission of WABCO.

Non e permesso copiare, o terzi o riprodurre questo documento, ne utilizzare il contenuto o renderlo comunque noto a terzi senza autorizzazione esplicita. Ogni infrazione costituisce un evidente abuso e comporta il risarcimento dei danni subiti. E' fatta riserva di tutti i diritti derivanti da brevetti o modelli.
 Copying of this document and giving it to others and the use or communication of the contents thereof, are forbidden without express authority. Contravention of this restriction will constitute an evident abuse and result in a liability to the payment of damages. All rights are reserved in the event of the grant of patent or registration of a utility model or design. This document is the subject of copyright.
 Toute communication ou reproduction de ce document, toute exploitation ou communication de son contenu sont interdites, sauf autorisation expresse. Tout manquement a cette regle constitue un abus evident et expose son auteur au versement de dommages et interets. Tous droits de proprieite industrielle reserves, notamment en matiere de brevets et de modesles.
 Weitergabe sowie Vervielfaltigung dieser Unterlagen, Verwertung und Mitteilung ihres Inhalts nicht gestattet, soweit nicht ausdrücklich ansonsten, weitergegeben, stehen einem offensichtlichen Missbrauch dar und verpflichten zu Schadensersatz. Alle Rechte hier, den Fall der Patenterteilung oder Gebrauchsmuster-Eintragung vorbehalten.



Pos.	Name	Quantity
1	Piston clip	2
2	Spring clip	8
3	Spring clip	8

General Specification: JED-334-1, Size ISO 14405 LP		Copyright WABCO®		ProVia Accessory Kit				
Further Technical Data:		Date	Signature				Date of first issue: 2015-03-26	
Doc. Code	Sheet	To	Drawn				Doc. Code	Language
General Tolerances JED-261		2018-01-12	Liszwan				005	EN
Range of Nominal Dimensions (± mm)		Checked		Sheet				
Class	1)	≤ 50	> 50 ≤ 180	> 180 ≤ 400	> 400			
Fine		0.5	1.0	1.5	2.0			
Medium	X	1.0	2.0	3.0	4.0			
Coarse		2.0	3.5	5.0	6.5			
Tapped Holes acc. -		Expert		Replacement for				
1) Tolerance Class Applied Crossmarked		Liszwan		-				
Mass	Scale	Material No.		ECN-No.				
0,5	1:1	340 902 001 2		176085				
kg		Size	CAD System	Revision	Techn. Resp.			
A 2	CREO			-	B			