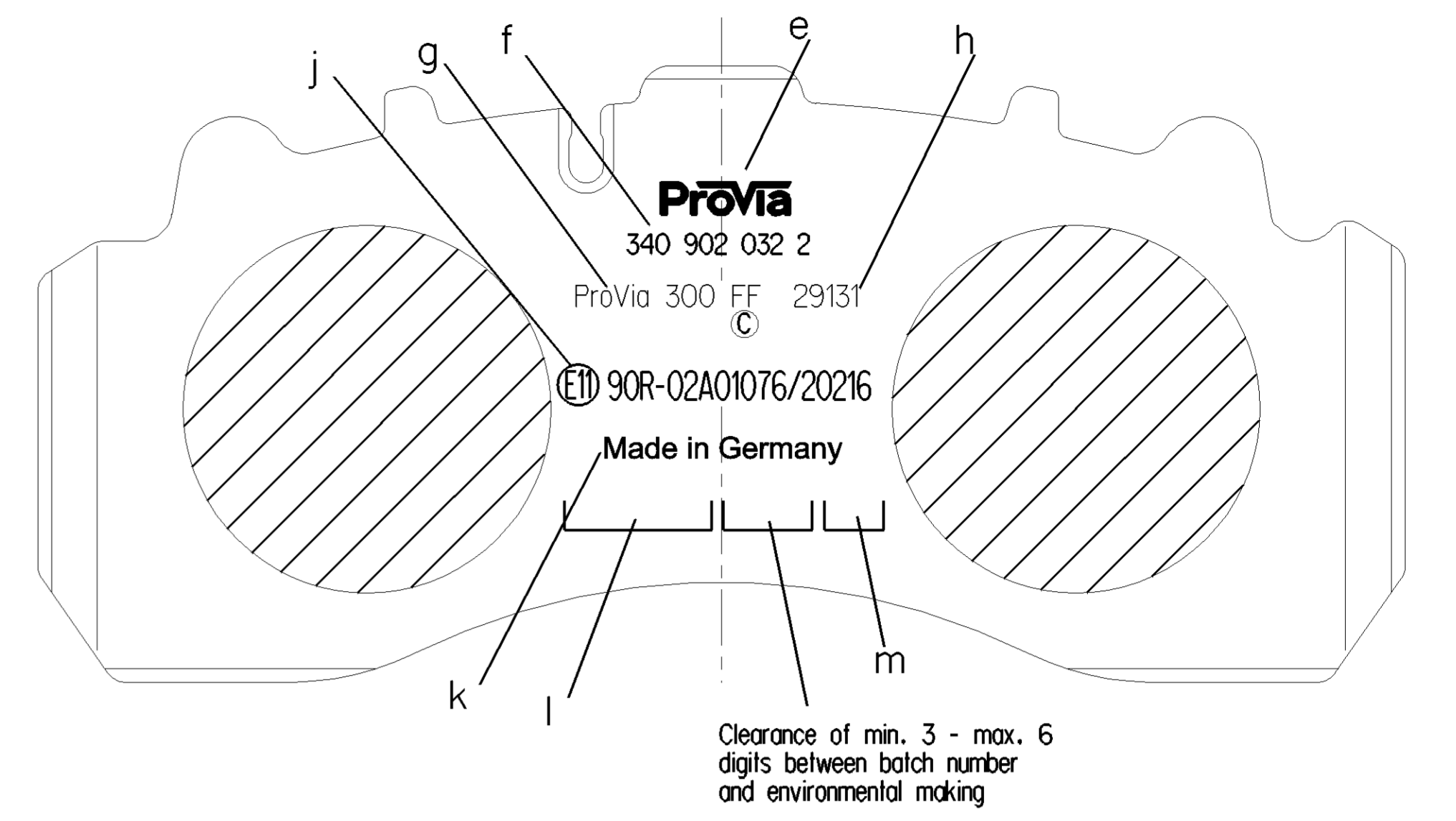
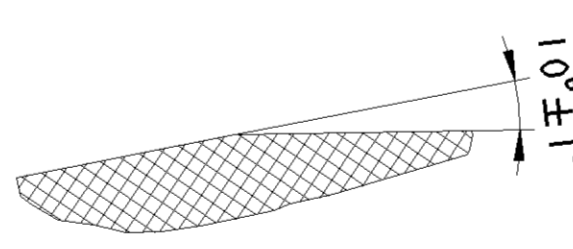


Section A-A



Draft for text areas explanation only. Draft can be different to the real part.

Identification	Designation	Kind of Marking	Colour	Size of Types resp. Standard	Remarks
e	ProVia - Logo	Tampon / UV-branding	white	Size 6	
f	ProVia - Set number	Tampon / UV-branding	white	Height of characters 5 ± 1 mm	
g	ProVia - Sales reference, US-Code (when exist)	Tampon / UV-branding	white		
h	Number of WVA	Tampon / UV-branding	white	Height of characters and position of the marking may be acc. to the shape of the backing plate	
j	Number of ECE	Tampon / UV-branding	white		
k	Country of origin	Tampon / UV-branding	white		
l	Batch number	at markers option	white		
m	Environmental marking acc. to SAE J866 JUL2012 or latest	at markers option	white		

a Max. 10% lacquer permitted, without mould skin. (acc. to finishing code)

b Firmly attached burr around pad contour permitted, must not protrude beyond backing plate

Pos.	Name	Quantity
1	Brake pad	4

General Specification: JED-334-1 - Size ISO 14405 LP

Copyright WABCO®

Further Technical Data: PART SPECIFICATION

Doc. Code: 014 Sheet: 1 To 4

Date: 2018-01-12

Drawn: Liszwan

Checked: Liszwan

Expert: Przybysz

Material No.: 340 902 003 2

Date of first issue: 2016-03-26

Doc. Code: 005 EN C 1/2

Mass: 10.4 kg

Scale: 1:1

Size: A 1 CREO

ECN No.: 176085

Revision: 3x C

Techn. Resp.: 0959

Replacement for: -

1) Tolerance Class Applied Crossmarked

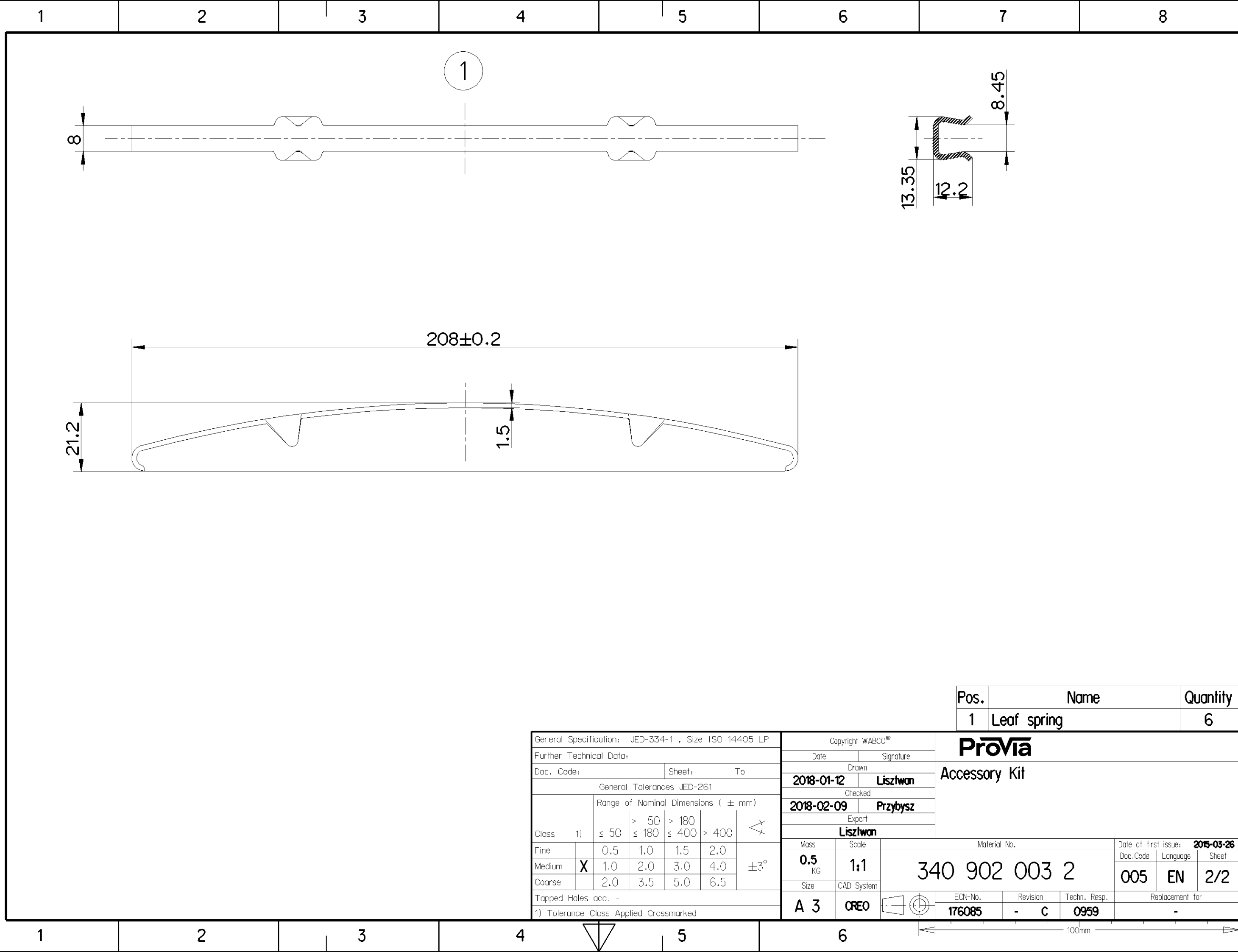
Non è permesso copiare o riprodurre questo documento, né utilizzare il contenuto a fini commerciali, senza permesso scritto dalla WABCO. Tutti i diritti sono riservati. Toute réimpression ou utilisation non autorisée sans la permission écrite de la WABCO est formellement interdite. Toute utilisation non autorisée sera considérée comme une violation des lois en vigueur. All rights reserved. No part of this document may be reproduced, stored in a retrieval system, or transmitted, in any form or by any means, electronic, mechanical, photocopying, recording, or by any information storage and retrieval system, without the prior written permission of WABCO. This document is the subject of copyright.

Non e permesso consegnare a terzi o riprodurre questo documento, ne utilizzare il contenuto o renderlo comunque noto a terzi senza autorizzazione esplicita. Ogni infrazione costituirà un evidente abuso e comporterà il risarcimento dei danni subiti. E' fatta riserva di tutti i diritti derivanti da brevetti o modelli.

Toute communication ou reproduction de ce document, toute exploitation ou communication de son contenu sont interdites, sauf autorisation expresse. Tout manquement a cette regle constitue un abus evident et expose son auteur au versement de dommages et interets. Tous droits de propriete industrielle reserves, notamment en matiere de brevets et de modesles.

Copying of this document and giving it to others and the use or communication of the contents thereof, are forbidden without express authority. Controvention of this restriction will constitute an evident abuse and result in a liability to the payment of damages. All rights are reserved in the event of the grant of patent or registration of a utility model or design. This document is the subject of copyright.

Weitergabe sowie Vervielfaeltigung dieser Unterlage, Verwertung und Mitteilung ihres Inhalts nicht gestattet, soweit nicht ausdruendlich zugestanden. Zuwiderhandlungen stellen einen offensichtlichlichen Misbrauch dar und verpflichten zu Schadenersatz. Alle Rechte fuer den Fall der Patenterteilung oder Gebrauchsmuster-Eintragung vorbehalten.



Pos.	Name	Quantity
1	Leaf spring	6

General Specification: JED-334-1, Size ISO 14405 LP		Copyright WABCO®		<b>ProVia</b> Accessory Kit		
Further Technical Data:		Date	Signature			
Doc. Code:	Sheet: To	2018-01-12	Lisztwan			
General Tolerances JED-261		2018-02-09	Przybysz			
Range of Nominal Dimensions ( ± mm)		Expert		Material No. 340 902 003 2		
Class 1)	≤ 50	> 50 ≤ 180	> 180 ≤ 400	> 400	Date of first issue: 2015-03-26	
Fine	0.5	1.0	1.5	2.0	Doc.Code Language Sheet	
Medium	X 1.0	2.0	3.0	4.0	005 EN 2/2	
Coarse	2.0	3.5	5.0	6.5	Replacement for	
Tapped Holes acc. -		Mass	Scale	Date of first issue: 2015-03-26		
1) Tolerance Class Applied Crossmarked		0.5 KG	1:1	Doc.Code Language Sheet		
		Size	CAD System	005 EN 2/2		
		A 3	CREO	ECN-No.	Revision	Techn. Resp.
				176085	- C	0959

100mm