

DRAFT FOR TEXT AREAS EXPLANATION ONLY. DRAFT CAN BE DIFFERENT TO THE REAL PART.

IDENTIFICATION	DESIGNATION	KIND OF MARKING	COLOUR	SIZE OF TYPES RESP. STANDARD	REMARKS
e	PROVIA - LOGO	TAMPON / UV-BRANDING	WHITE	SIZE 6	
f	PROVIA - SET NUMBER	TAMPON / UV-BRANDING	WHITE		
g	PROVIA - SALES REFERENCE, US-CODE (WHEN EXIST)	TAMPON / UV-BRANDING	WHITE		
h	NUMBER OF WVA	TAMPON / UV-BRANDING	WHITE	HEIGHT OF CHARACTERS 5±1MM HEIGHT OF CHARACTERS AND POSITION OF THE MARKING MAY BE ACC. TO THE SHAPE OF THE BACKING PLATE	
j	NUMBER OF ECE	TAMPON / UV-BRANDING	WHITE		
k	COUNTRY OF ORIGIN	TAMPON / UV-BRANDING	WHITE		
l	BATCH NUMBER	TAMPON / UV-BRANDING	WHITE		
m	ENVIRONMENTAL MARKING ACC. TO SAE J866 JUL2012 OR LATEST	TAMPON / UV-BRANDING	WHITE		

POS.	NAME	QUANTITY
1	BRAKE PAD	4

Copyright WABCO®

ProVia

PAD KIT

Doc. Code: 014 Sheet: To

General Tolerances JED-261

Class	1)	≤ 50	> 50 < 180	> 180 < 400	> 400
Fine		0.5	1.0	1.5	2.0
Medium	X	1.0	2.0	3.0	4.0
Coarse		2.0	3.5	5.0	6.5

Mass: 8.0 kg Scale: 1:1

Size: A 1 CREO

Material No.: 340 902 004 2

Date of first issue: 2016-05-26

Doc. Code: 005 EN 1/2

Revision: 176942 6 x C 0959

Checked: Marcinkiewicz

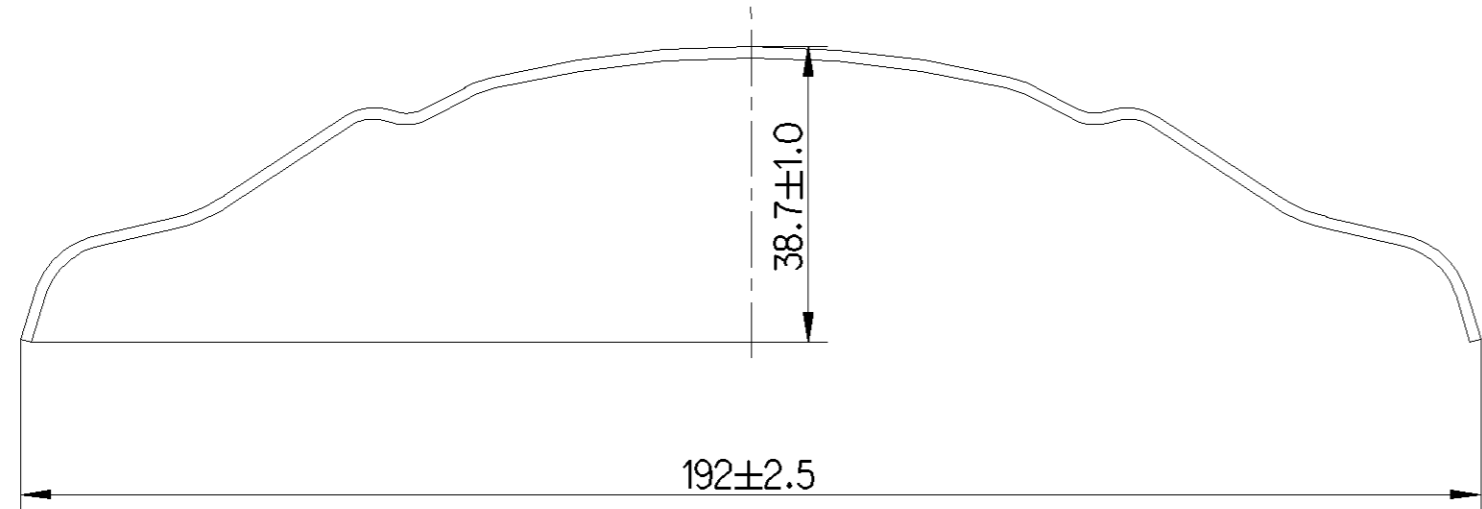
Expert: Liszwan

1) Tolerance Class Applied Crossmarked

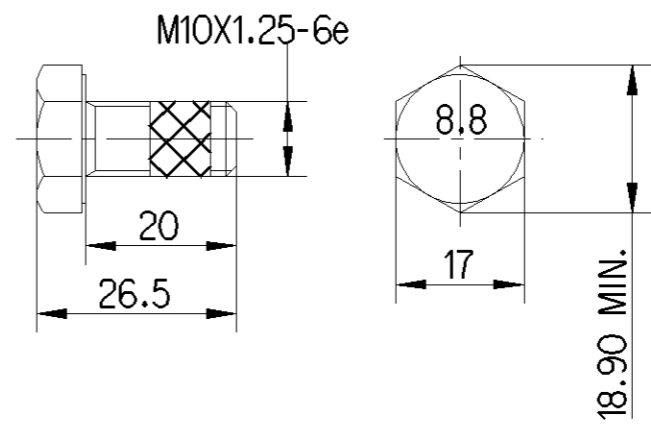
Non è permesso copiare o riprodurre questo documento, né utilizzare il contenuto a fini commerciali, senza permesso scritto dalla WABCO. È vietata espressamente la ristampa o l'uso non autorizzato di questo documento. Toute réimpression ou utilisation non autorisée sans la permission écrite de la WABCO est formellement interdite. Toute réimpression ou utilisation non autorisée sans la permission écrite de la WABCO est formellement interdite.

Toute réimpression ou utilisation non autorisée sans la permission écrite de la WABCO est formellement interdite. Toute réimpression ou utilisation non autorisée sans la permission écrite de la WABCO est formellement interdite.

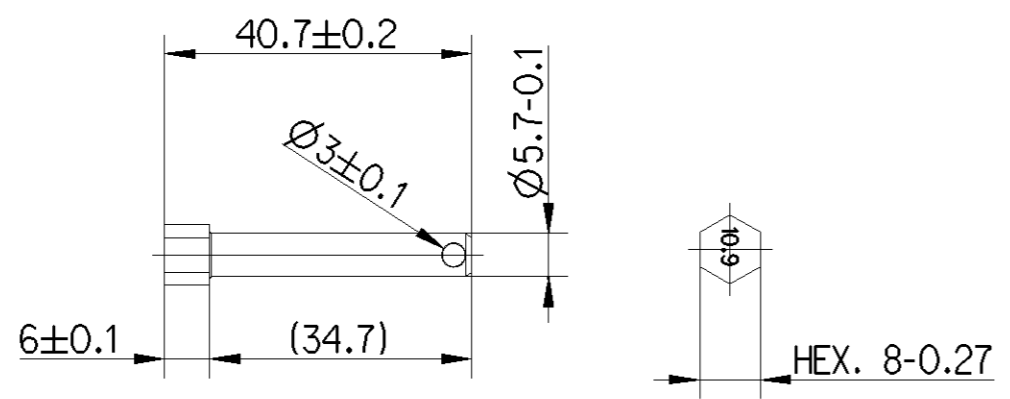
1.



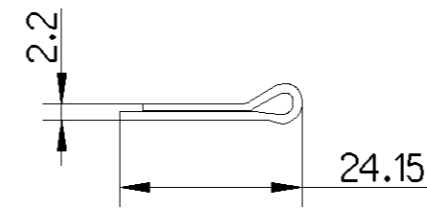
2.



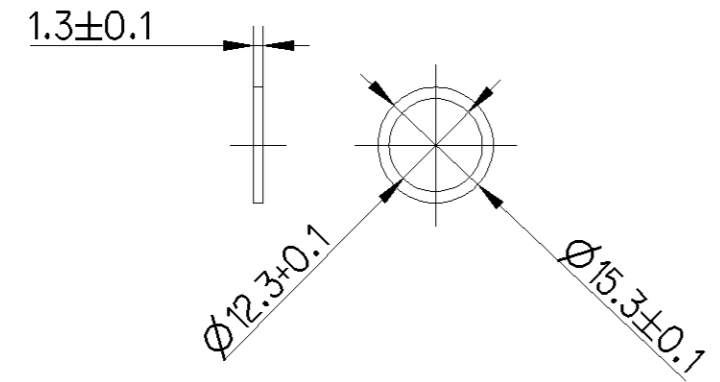
3.



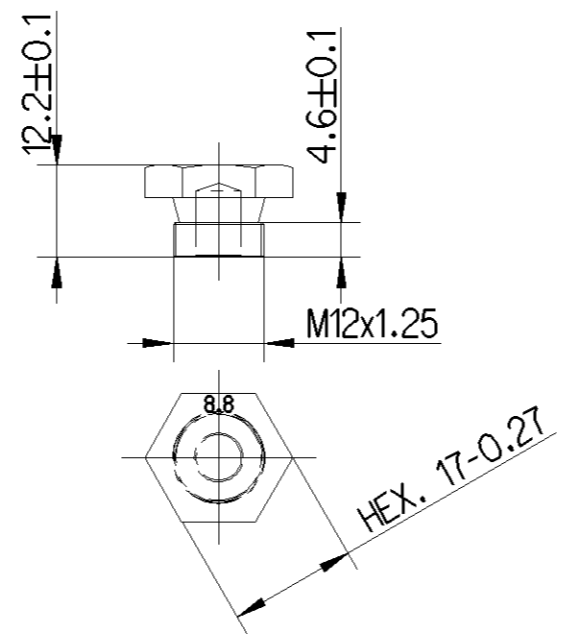
4.



5.



6.



POS.	NAME	QUANTITY
1	PISTON CLIP	4
2	BOLT	2
3	PIN	2
4	CLIP	2
5	WASHER	2
6	HEXAGON HEAD SCREW	2

Non e permesso copiare, o terzi o riprodurre questo documento, ne utilizzare il contenuto o renderlo comunque noto a terzi senza autorizzazione esplicita. Ogni infrazione costituisce un evidente abuso e comportera il risarcimento dei danni subiti. E' fatta riserva di tutti i diritti derivanti da brevetti o modelli.

Copying of this document and giving it to others and the use or communication of the contents thereof, are forbidden without express authority. Contravention of this restriction will constitute an evident abuse and result in a liability to the payment of damages. All rights are reserved in the event of the grant of patent or registration of a utility model or design. This document is the subject of copyright.

Tout e permis de copier, ou reproduire, ou communiquer ce document, ou en faire usage, sans autorisation expresse, sauf autorisation expresse. Toute infraction constitue un abus evident et expose son auteur au versement de dommages et interets. Tous droits de proprieete industrielle reserves, notamment en matiere de brevets et de modesles.

Wskazane prawa wzajemnie wykluczaja sie. Nie wolno kopiowac, rozpowszechniac, ani w inny sposob udzialowac w rozpowszechnianiu niniejszego dokumentu, bez wyrazonego zezwolenia. Wszelkie naruszenia sa surowo zakazane i podlegaja odpowiedzialnosci prawnej.

© General Specification: JED-334-1, Size ISO 14405 LP

Copyright WABCO®

Further Technical Data: Part Specification

Doc. Code: 014 Sheet: To

General Tolerances JED-261

Class	1)	≤ 50	> 50 ≤ 180	> 180 ≤ 400	> 400	∇
Fine		0.5	1.0	1.5	2.0	±3°
Medium	X	1.0	2.0	3.0	4.0	
Coarse		2.0	3.5	5.0	6.5	

Tapped Holes acc. -

1) Tolerance Class Applied Crossmarked

Mass Scale: 0.5 kg 1:1

Size CAD System: A 2 CREO

Material No.: 340 902 004 2

Date of first issue: 2015-03-26

Doc. Code Language Sheet: 005 EN 2/2

ECN-No.: 176942 Revision: 6 x C Techn. Resp.: 0959 Replacement for: -

ProVia PAD KIT

Checked: 2018-07-18 Marcirkiewicz Expert

Drawn: 2018-07-18 Cebula

Signature: _____

Scale: 1:1

100mm