

DRAFT FOR TEXT AREAS EXPLANATION ONLY. DRAFT CAN BE DIFFERENT TO THE REAL PART.

IDENTIFICATION	DESIGNATION	KIND OF MARKING	COLOUR	SIZE OF TYPES RESP. STANDARD	REMARKS
e	PROVIA - LOGO	TAMPON / UV-BRANDING	WHITE	SIZE 6	
f	PROVIA - SET NUMBER	TAMPON / UV-BRANDING	WHITE		
g	PROVIA - SALES REFERENCE, US-CODE (WHEN EXIST)	TAMPON / UV-BRANDING	WHITE		
h	NUMBER OF WVA	TAMPON / UV-BRANDING	WHITE	HEIGHT OF CHARACTERS 5±1MM HEIGHT OF CHARACTERS AND POSITION OF THE MARKING MAY BE ACC. TO THE SHAPE OF THE BACKING PLATE	
j	NUMBER OF ECE	TAMPON / UV-BRANDING	WHITE		
k	COUNTRY OF ORIGIN	TAMPON / UV-BRANDING	WHITE		
l	BATCH NUMBER	TAMPON / UV-BRANDING	WHITE		
m	ENVIRONMENTAL MARKING ACC. TO SAE J866 JUL2012 OR LATEST	TAMPON / UV-BRANDING	WHITE		

- (A) MAX. 10% LACQUER PERMITTED, WITHOUT MOULD SKIN. (ACC. TO FINISHING CODE)
- (B) FIRMLY ATTACHED BURR AROUND PAD CONTOUR PERMITTED, MUST NOT PROTRUDE BEYOND BACKING PLATE

POS.	NAME	QUANTITY
1	BRAKE PAD	4

General Specification: JED-334-1, Size ISO 14405 LP

Copyright WABCO®

Doc. Code: 014

2018-07-16

2018-07-17

10.5 kg

1:1

340 902 221 2

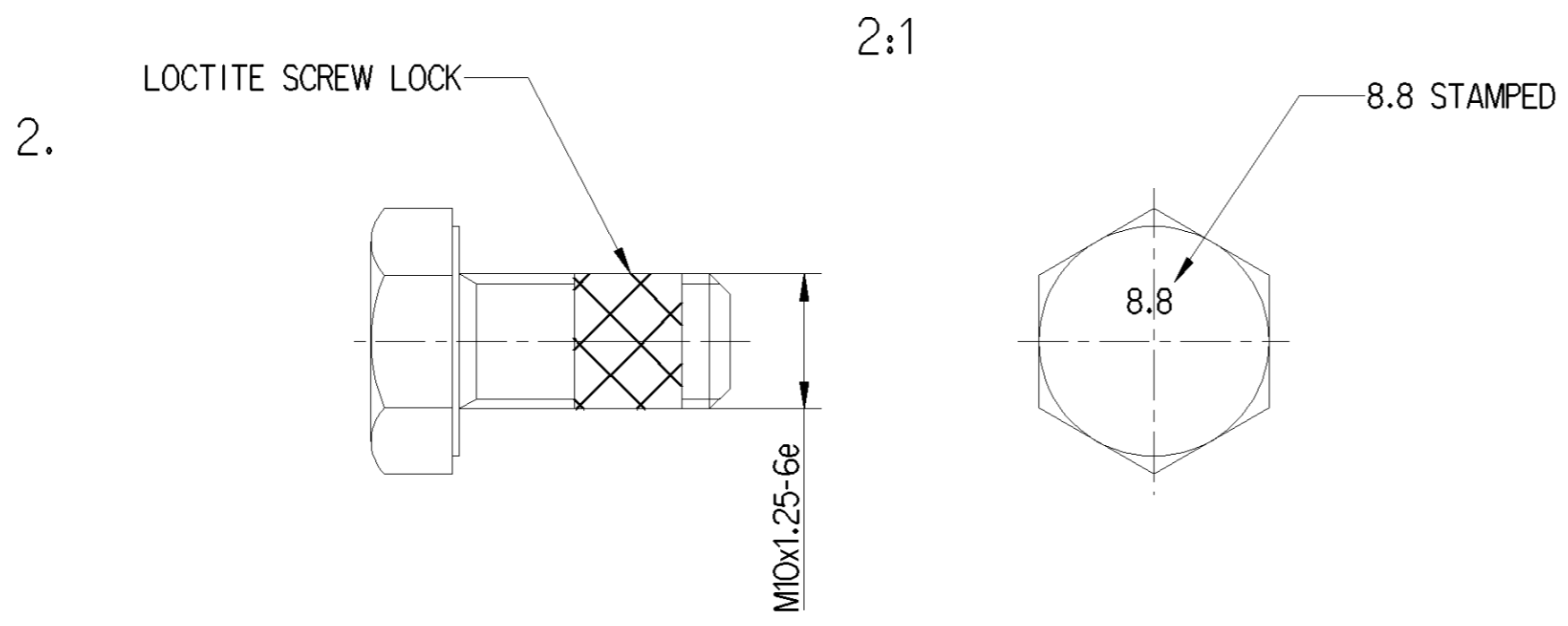
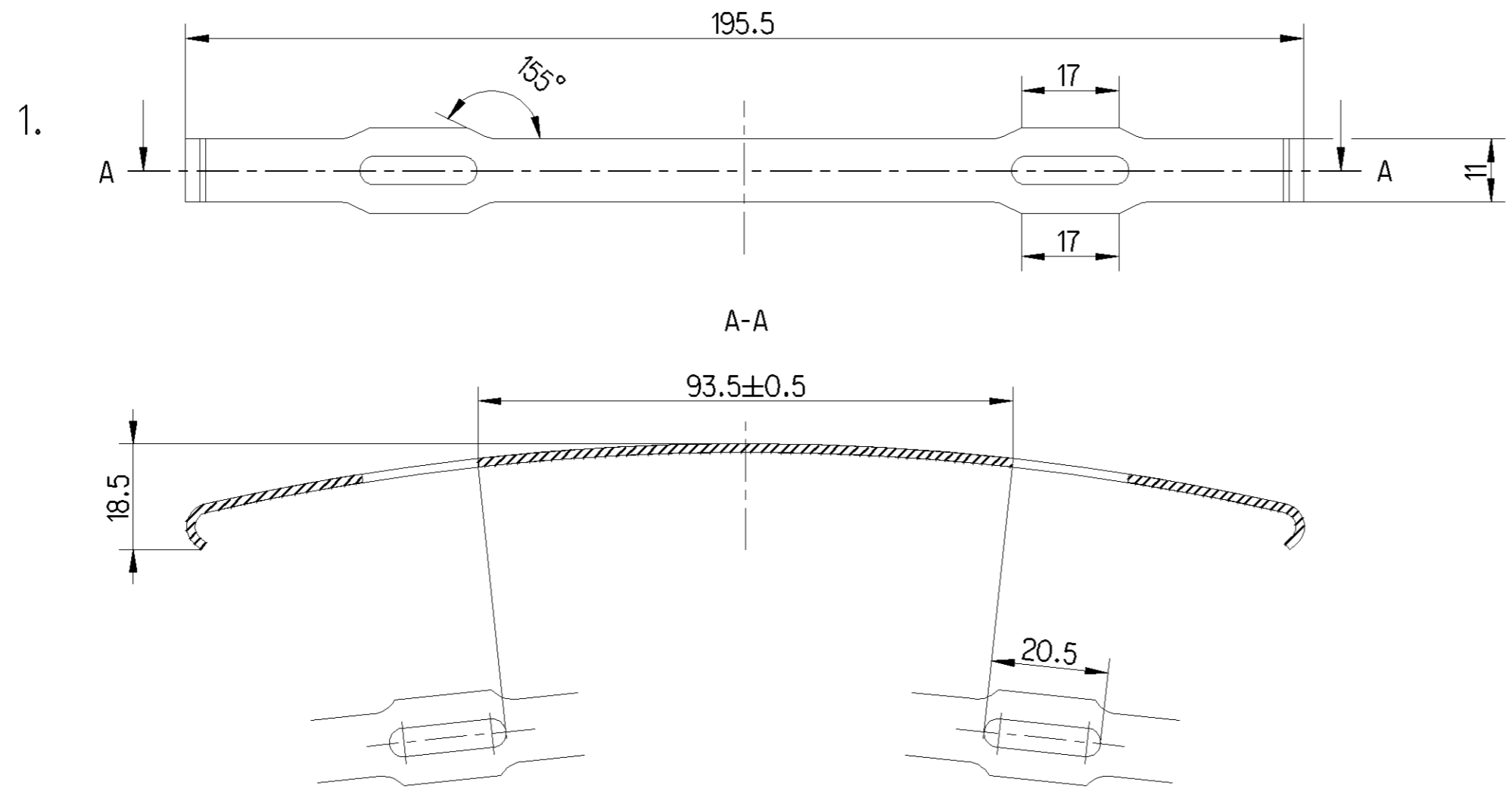
005 EN 1/2

176932 4 x C 0959

100mm

Non e permesso consegnare a terzi in riproduzione questo documento, ne utilizzare il contenuto a fini di lucro, commerciale o pubblicitario. E' vietata espressamente la ristampa o l'uso non autorizzato. Tutti i diritti sono riservati.

Toute communication ou reproduction de ce document, sans autorisation de WABCO, est formellement interdite. Toute utilisation non autorisee est formellement interdite. Toute reproduction ou utilisation non autorisee est formellement interdite.



POS.	NAME	QUANTITY
1	SPRING	4
2	SCREW	2

General Specification: JED-334-1, Size ISO 14405 LP		Copyright WABCO®		<b>ProVia</b>		
Further Technical Data: Part Specification		Date	Signature			
Doc. Code: 014	Sheet: To	2018-07-16	Cebula	<b>PAD KIT</b>		
General Tolerances JED-261		Checked	2018-07-17			
Range of Nominal Dimensions ( ± mm)		Expert		Material No.		
Class	1) ≤ 50 > 50 ≤ 180 > 180 ≤ 400 > 400	Lisztwan		Mass	Scale	Date of first issue: 2016-08-25
Fine	0.5 1.0 1.5 2.0	±3°		0.5 kg	1:1 (2:1)	Doc. Code Language Sheet
Medium	X 1.0 2.0 3.0 4.0			Size	CAD System	005 EN 2/2
Coarse	2.0 3.5 5.0 6.5			A 2	CREO	ECN-No. Revision Techn. Resp. Replacement for
Tapped Holes acc.				176932	4 x C	0959
1) Tolerance Class Applied Crossmarked				100mm		

Non e permesso copiare, o terzi o riprodurre questo documento, ne utilizzare il contenuto o renderlo comunque noto a terzi senza autorizzazione esplicita. Ogni infrazione costituisce un evidente abuso e comporta il risarcimento dei danni subiti. E' fatta riserva di tutti i diritti derivanti da brevetti o modelli.

Copying of this document and giving it to others and the use or communication of the contents thereof, are forbidden without express authority. Contravention of this restriction will constitute an evident abuse and result in a liability to the payment of damages. All rights are reserved in the event of the grant of patent or registration of a utility model or design. This document is the subject of copyright.

Toute communication ou reproduction de ce document, toute exploitation ou communication de son contenu sont interdites, sauf autorisation expresse. Tout manquement a cette regle constitue un abus evident et expose son auteur au versement de dommages et interets. Tous droits de proprieite industrielle reserves, notamment en matiere de brevets et de modesles.

Wskazane prawa wzajemnosci tego dokumentu, w tym jego kopiowanie i przekazanie jego zawartosci innym osobom, sa wzajemnosci, co jest zabronione bez wyrazonego zezwolenia. Wszelkie naruszenia tych wzajemnosci sa zabronione i skutkuja odpowiedzialnoscia za szkody.