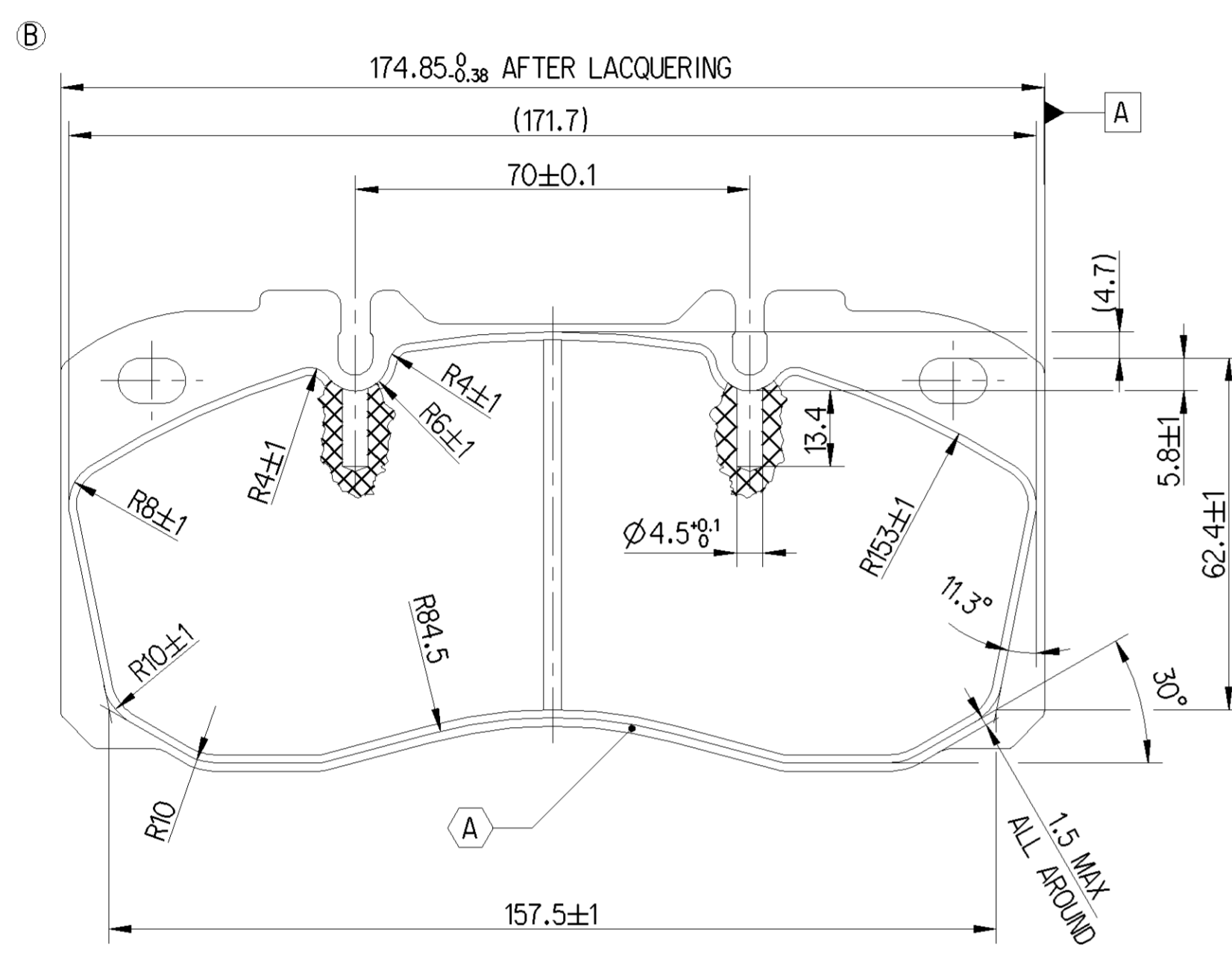
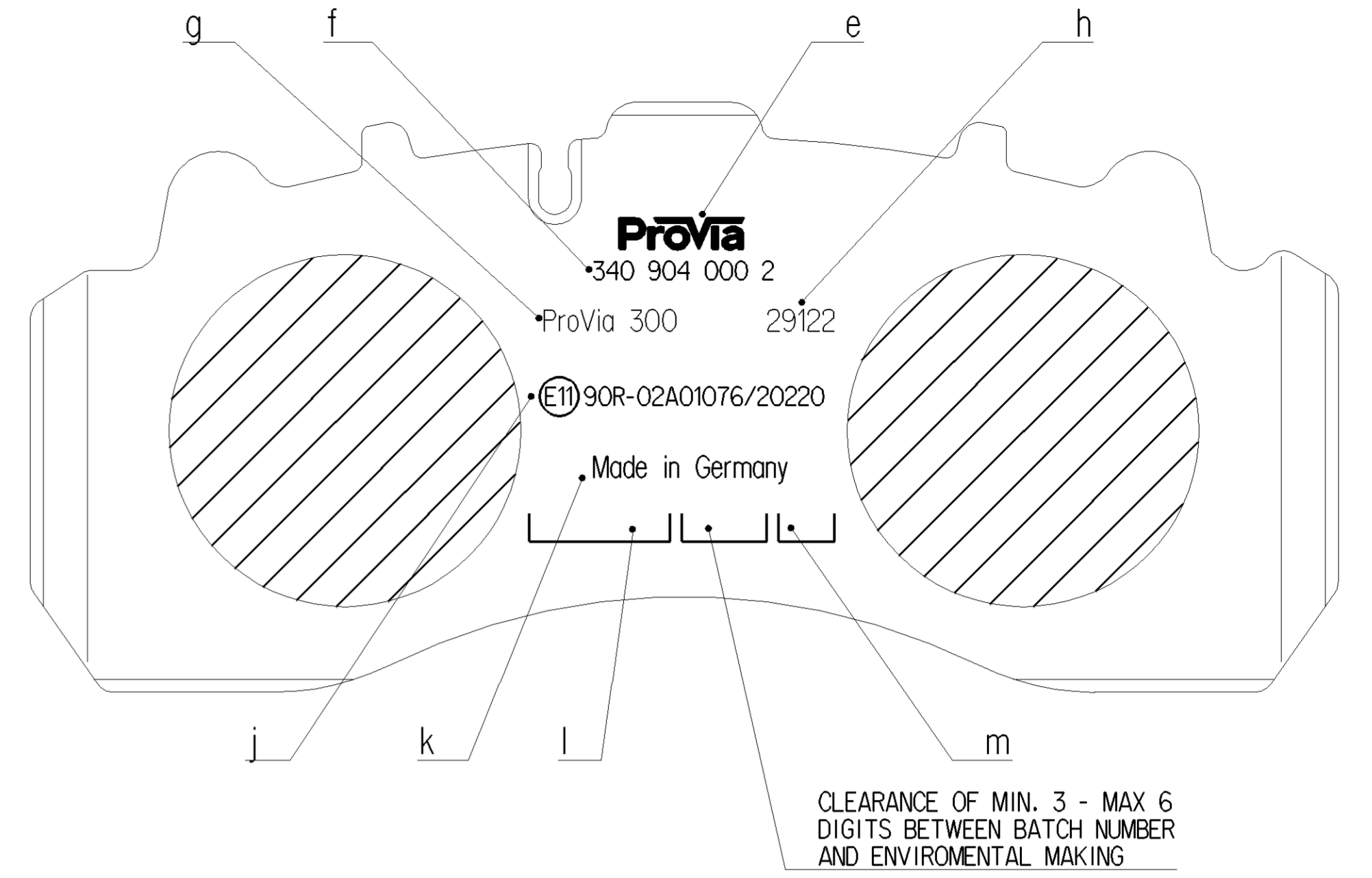
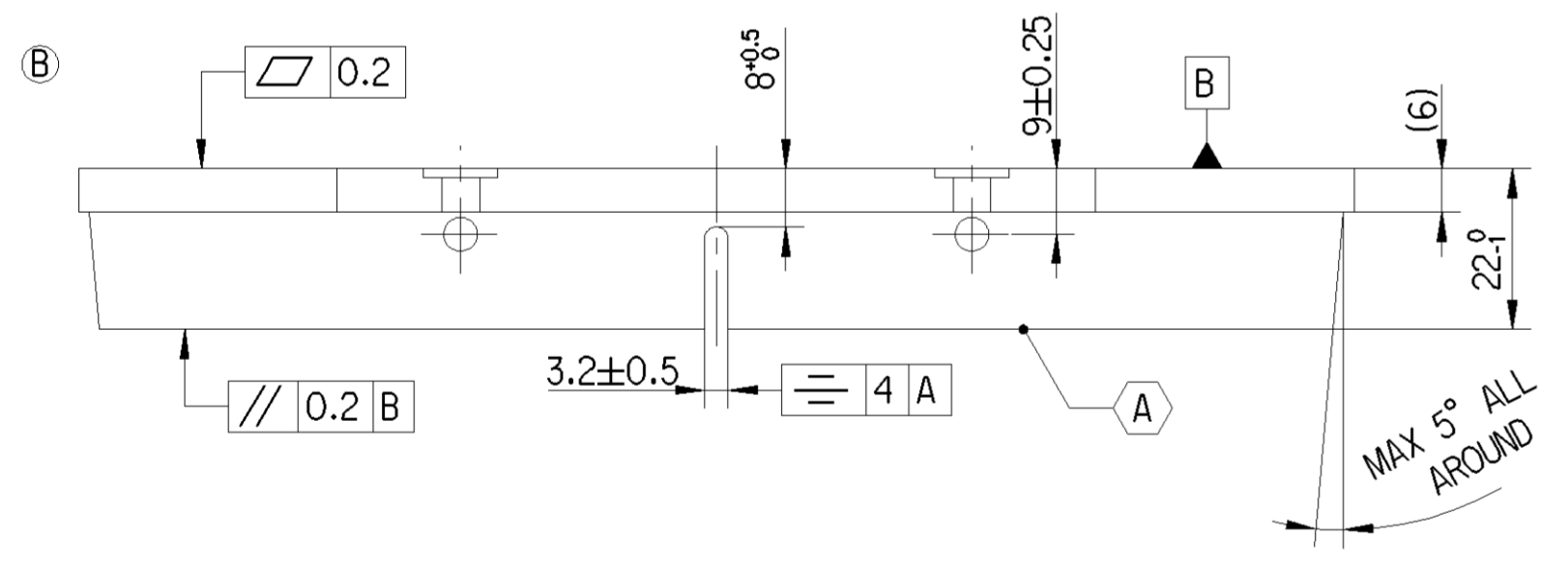
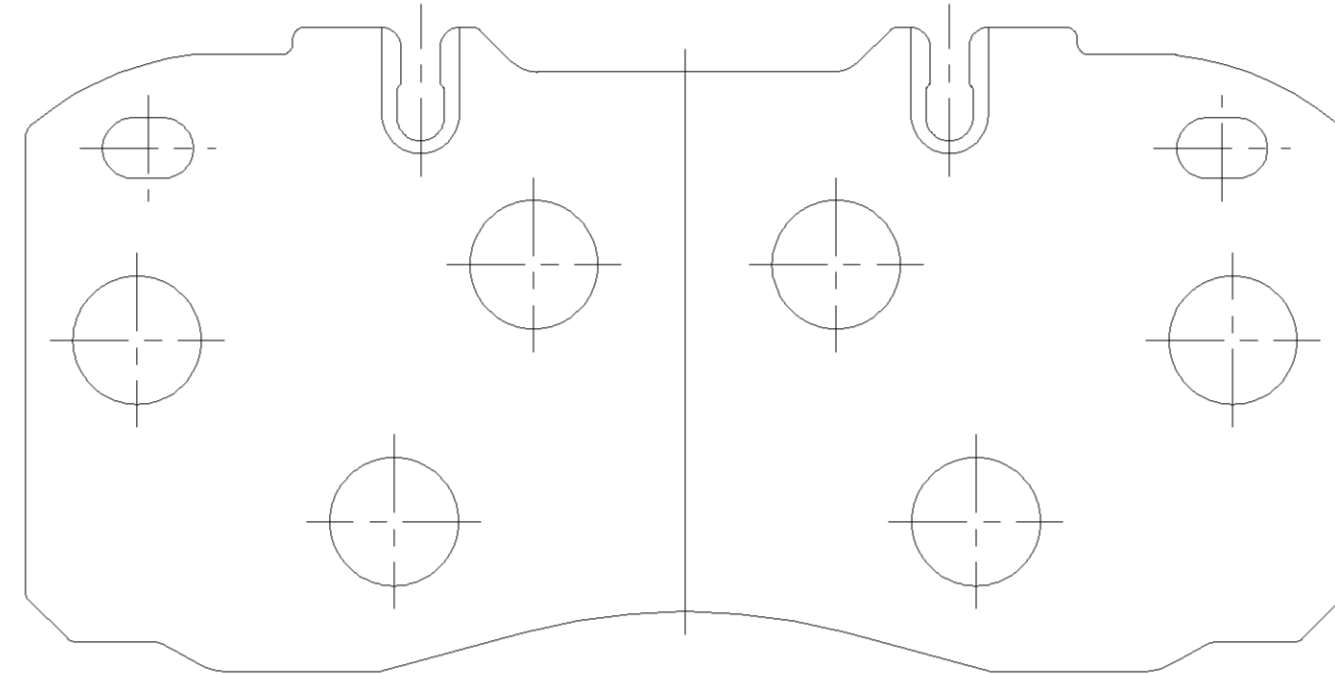


Non è permesso copiare o riprodurre questo documento, né utilizzare il contenuto o i marchi commerciali senza permesso scritto dalla WABCO. È vietata espressamente la ristampa o l'uso non autorizzato di questo documento. Toute réimpression ou utilisation non autorisée sans la permission écrite de la WABCO est formellement interdite. Toute utilisation non autorisée sera considérée comme une contrefaçon. All rights reserved. No part of this document may be reproduced, stored in a retrieval system, or transmitted in any form or by any means, electronic, mechanical, photocopying, recording, or by any information storage and retrieval system, without the prior written permission of WABCO.



VIEW FROM THE BACK SIDE



CLEARANCE OF MIN. 3 - MAX 6 DIGITS BETWEEN BATCH NUMBER AND ENVIRONMENTAL MARKING

DRAFT FOR TEXT AREAS EXPLANATION ONLY. DRAFT CAN BE DIFFERENT TO THE REAL PART.

IDENTIFICATION	DESIGNATION	KIND OF MARKING	COLOUR	SIZE OF TYPES RESP. STANDARD	REMARKS
e	PROVIA - LOGO	TAMPON / UV-BRANDING	WHITE	SIZE 6	
f	PROVIA - SET NUMBER	TAMPON / UV-BRANDING	WHITE	HEIGHT OF CHARACTERS 5±1MM HEIGHT OF CHARACTERS AND POSITION OF THE MARKING MAY BE ACC. TO THE SHAPE OF THE BACKING PLATE	
g	PROVIA - SALES REFERENCE, US-CODE (WHEN EXIST)	TAMPON / UV-BRANDING	WHITE		
h	NUMBER OF WVA	TAMPON / UV-BRANDING	WHITE		
j	NUMBER OF ECE	TAMPON / UV-BRANDING	WHITE		
k	COUNTRY OF ORIGIN	TAMPON / UV-BRANDING	WHITE		
l	BATCH NUMBER	TAMPON / UV-BRANDING	WHITE		
m	ENVIRONMENTAL MARKING ACC. TO SAE J866 JUL2012 OR LATEST	TAMPON / UV-BRANDING	WHITE		

POS.	NAME	QUANTITY
1	BRAKE PAD	4

Copyright WABCO®

**ProVia**

PAD KIT

General Specification: JED-334-1, Size ISO 14405 LP

Further Technical Data: Part Specification

Doc. Code: 014 Sheet: To: 2018-07-20

General Tolerances JED-261

Class	1)	≤ 50	> 50 &lt; 180	> 180 &lt; 400	> 400
Fine	X	0.5	1.0	1.5	2.0
Medium		1.0	2.0	3.0	4.0
Coarse		2.0	3.5	5.0	6.5

Range of Nominal Dimensions ( ± mm)

Mass: 4.5 kg

Scale: 1:1

Size: A 1 CREO

Material No.: 340 904 000 2

Date of first issue: 2016-03-26

Doc. Code: 005 EN 1/1

Revision: 5 x B

Techn. Resp.: 0959

Replacement for: -

1) Tolerance Class Applied Crossmarked