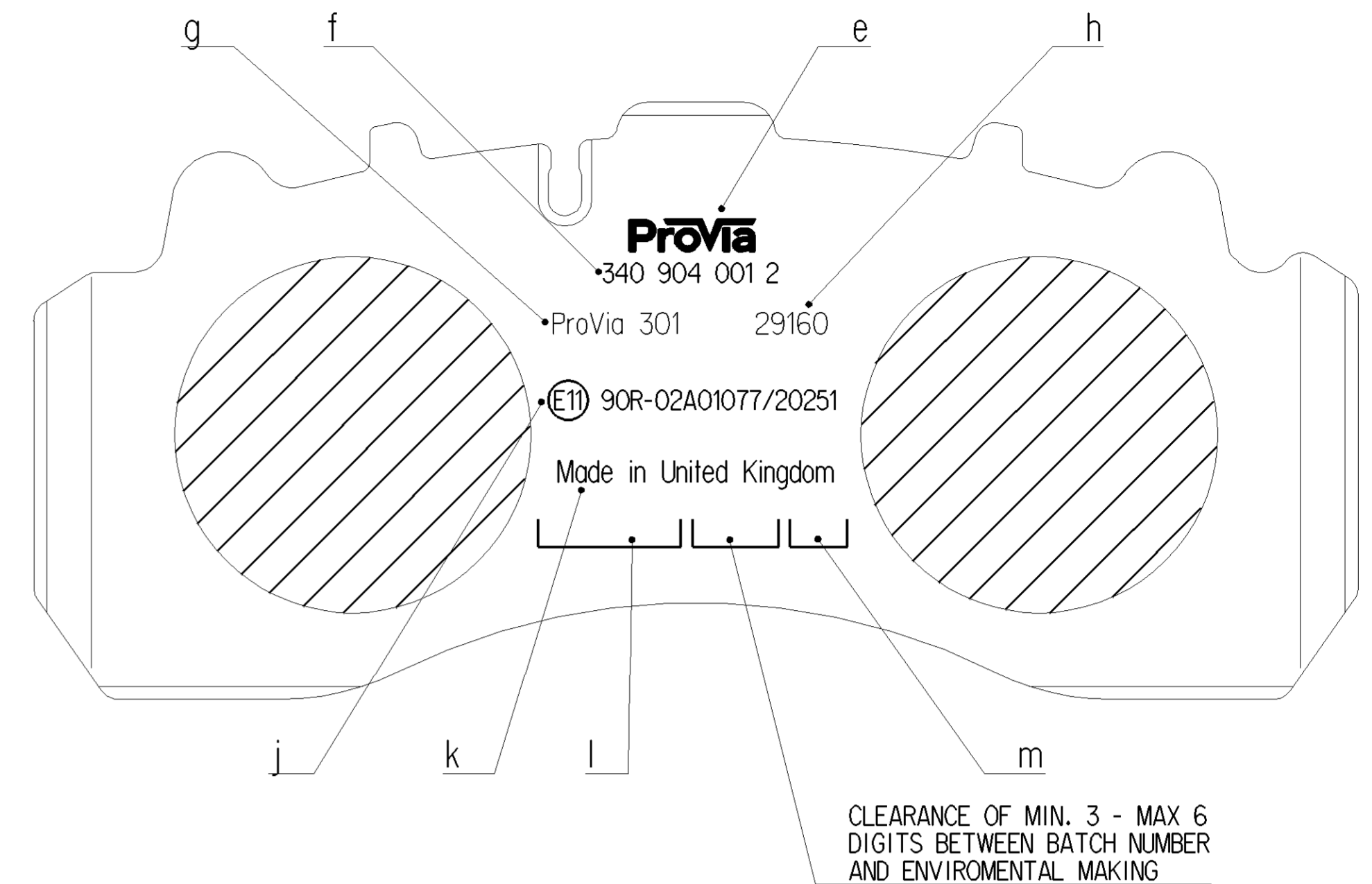
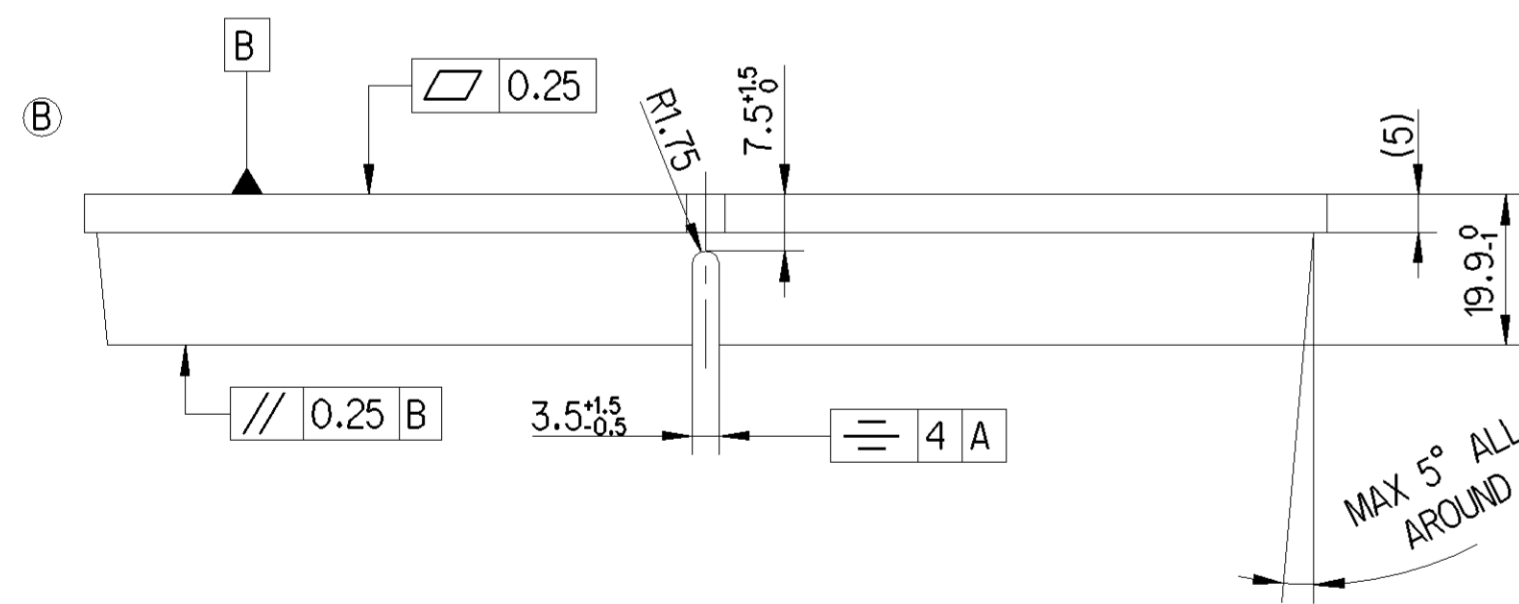
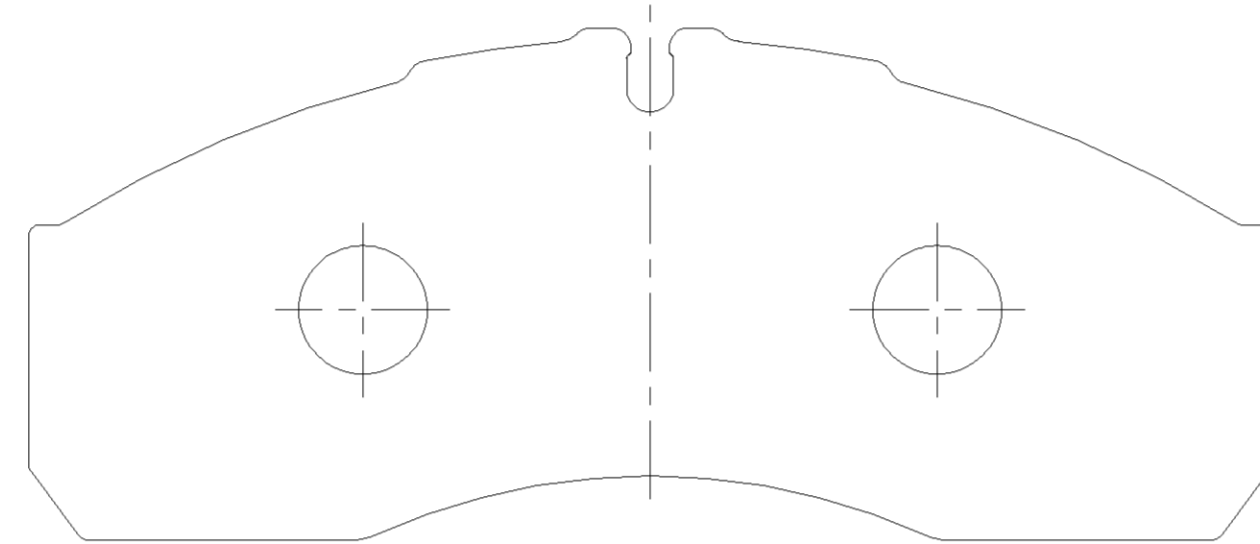


VIEW FROM THE BACK SIDE



DRAFT FOR TEXT AREAS EXPLANATION ONLY. DRAFT CAN BE DIFFERENT TO THE REAL PART.

IDENTIFICATION	DESIGNATION	KIND OF MARKING	COLOUR	SIZE OF TYPES RESP. STANDARD	REMARKS
e	PROVIA - LOGO	TAMPON / UV-BRANDING	WHITE	SIZE 6	
f	PROVIA - SET NUMBER	TAMPON / UV-BRANDING	WHITE		
g	PROVIA - SALES REFERENCE, US-CODE (WHEN EXIST)	TAMPON / UV-BRANDING	WHITE		
h	NUMBER OF WVA	TAMPON / UV-BRANDING	WHITE	HEIGHT OF CHARACTERS 5±1MM HEIGHT OF CHARACTERS AND POSITION OF THE MARKING MAY BE ACC. TO THE SHAPE OF THE BACKING PLATE	
j	NUMBER OF ECE	TAMPON / UV-BRANDING	WHITE		
k	COUNTRY OF ORIGIN	TAMPON / UV-BRANDING	WHITE		
l	BATCH NUMBER	TAMPON / UV-BRANDING	WHITE		
m	ENVIRONMENTAL MARKING ACC. TO SAE J866 JUL2012 OR LATEST	TAMPON / UV-BRANDING	WHITE		

POS.	NAME	QUANTITY
1	BRAKE PAD	4

Copyright WABCO®

ProVia  
PAD KIT

Doc. Code: 014 Sheet: To: 2018-07-20 Drawn: Cebula  
2018-07-24 Checked: Marcinkiewicz  
Expert: Liszwan

General Specification: JED-334-1 - Size ISO 14405 LP  
Further Technical Data: Part Specification  
Date: 2018-07-20  
Signature: Cebula

General Tolerances JED-261  
Range of Nominal Dimensions ( ± mm )  
Class 1) ≤ 50 > 50 > 180 > 180 > 400 > 400  
Fine X 0.5 1.0 1.5 2.0  
Medium 1.0 2.0 3.0 4.0 ±3°  
Coarse 2.0 3.5 5.0 6.5

Mass: 4.2 kg  
Scale: 1:1  
Size: A 1  
CAD System: CREO

Material No.: 340 904 001 2  
Date of first issue: 2016-03-26  
Doc. Code: 005 EN 1/1  
Revision: 5 x B  
Tech. Resp.: 0959  
Replacement for: -

1) Tolerance Class Applied Crossmarked

Non e permesso copiare o riprodurre questo documento, ne utilizzare i contenuti a meno che non sia espressamente autorizzato dal titolare dei diritti di brevetto o marchi. /  
 Coping of this document and giving it to others and the use or communication of the contents thereof, are forbidden without express, written permission of the holder of the patent or registration of a utility model or design. This document is the subject of copyright. /  
 Toute communication ou reproduction de ce document, sans autorisation expresse du titulaire des droits de brevet ou des droits de propriété industrielle, est formellement interdite. /  
 Weitergabe sowie Vervielfältigung dieses Urteils, Verwertung und Mitteilung des Inhalts dieses Urteils, sind ohne schriftliche Genehmigung des Erfinders oder des Verleihers des Patents oder des Verleihers des Gebrauchsmusters oder des Verleihers des Designpatents, ausdrücklich untersagt. /  
 All rights reserved. No part of this publication may be reproduced, stored in a retrieval system, or transmitted, in any form or by any means, electronic, mechanical, photocopying, recording, or by any information storage and retrieval system, without the prior written permission of the copyright owner.