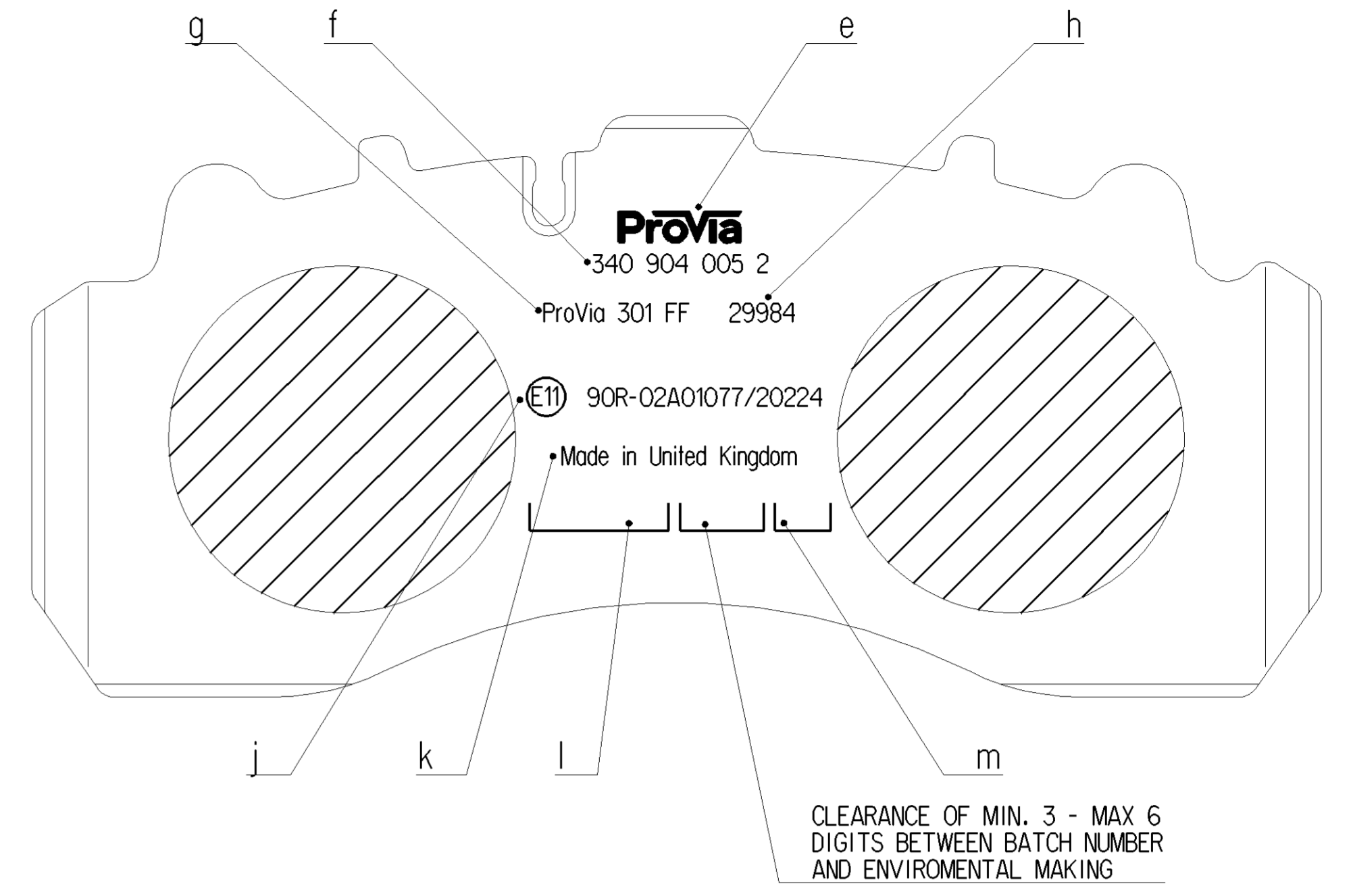
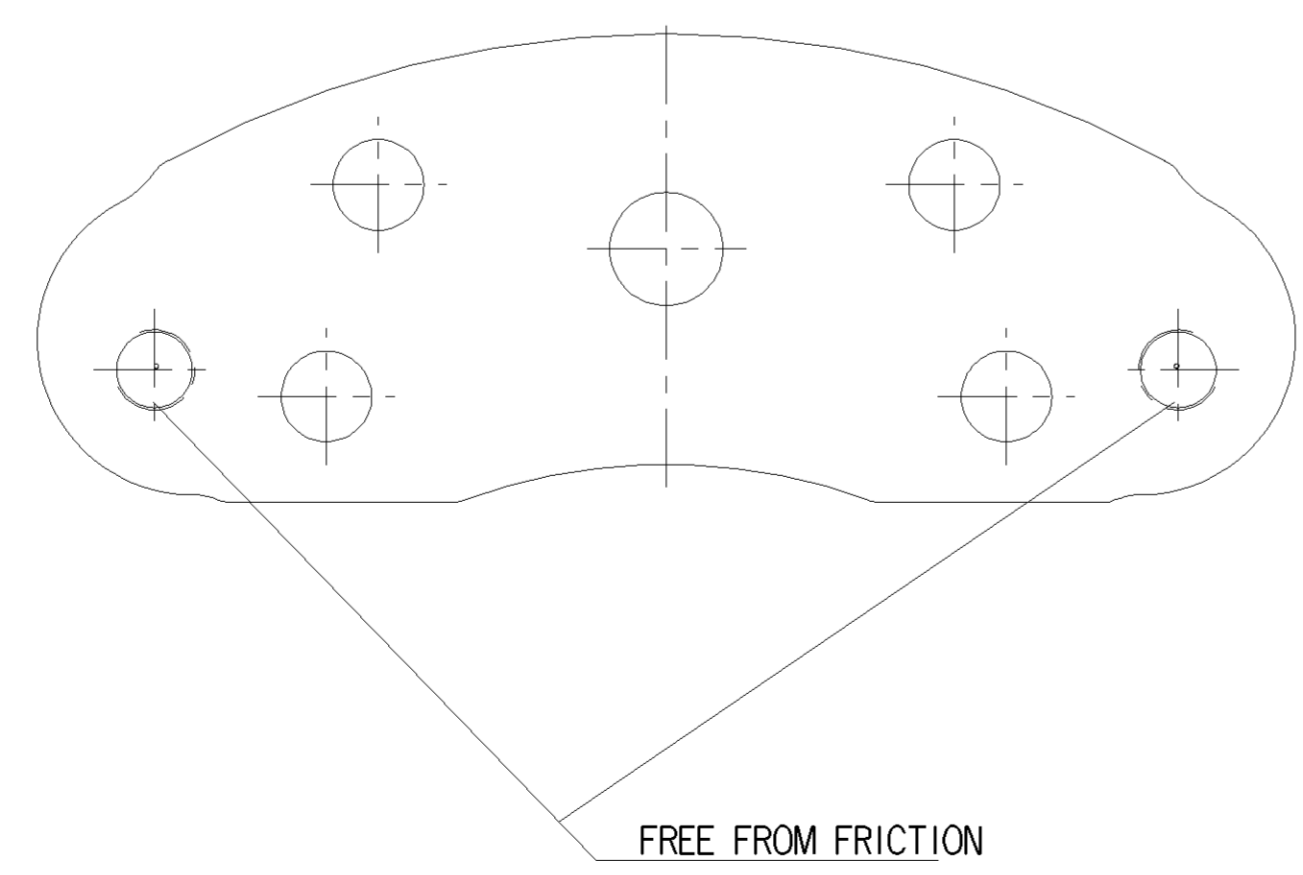


VIEW FROM THE BACK SIDE



DRAFT FOR TEXT AREAS EXPLANATION ONLY. DRAFT CAN BE DIFFERENT TO THE REAL PART.

IDENTIFICATION	DESIGNATION	KIND OF MARKING	COLOUR	SIZE OF TYPES RESP. STANDARD	REMARKS
e	PROVIA - LOGO	TAMPON / UV-BRANDING	WHITE	SIZE 6	
f	PROVIA - SET NUMBER	TAMPON / UV-BRANDING	WHITE		
g	PROVIA - SALES REFERENCE, US-CODE (WHEN EXIST)	TAMPON / UV-BRANDING	WHITE		
h	NUMBER OF WVA	TAMPON / UV-BRANDING	WHITE		HEIGHT OF CHARACTERS 5±1MM HEIGHT OF CHARACTERS AND POSITION OF THE MARKING MAY BE ACC. TO THE SHAPE OF THE BACKING PLATE
j	NUMBER OF ECE	TAMPON / UV-BRANDING	WHITE		
k	COUNTRY OF ORIGIN	TAMPON / UV-BRANDING	WHITE		
l	BATCH NUMBER	TAMPON / UV-BRANDING	WHITE		
m	ENVIRONMENTAL MARKING ACC. TO SAE J866 JUL2012 OR LATEST	TAMPON / UV-BRANDING	WHITE		

POS.	NAME	QUANTITY	WVA NUMBER
1	BRAKE PAD	2	29706
2	BRAKE PAD	1	29984
3	BRAKE PAD	1	29985

General Specification: JED-334-1 - Size ISO 14405 LP

Copyright WABCO®

Further Technical Data: Part Specification

Doc. Code: 014 Sheet: To: 2018-07-20 Drawn: Cebulo

General Tolerances JED-261

Class	1)	≤ 50	> 50	> 180	≤ 400	> 400
Fine		0.5	1.0	1.5	2.0	3.0
Medium	X	1.0	2.0	3.0	4.0	5.0
Coarse		2.0	3.5	5.0	6.5	8.0

Range of Nominal Dimensions (± mm) ±3°

Mass: 2.5 kg Scale: 1:1

Size: A 1 CREO CAD System

Material No.: 340 904 005 2 Date of first issue: 2016-03-26

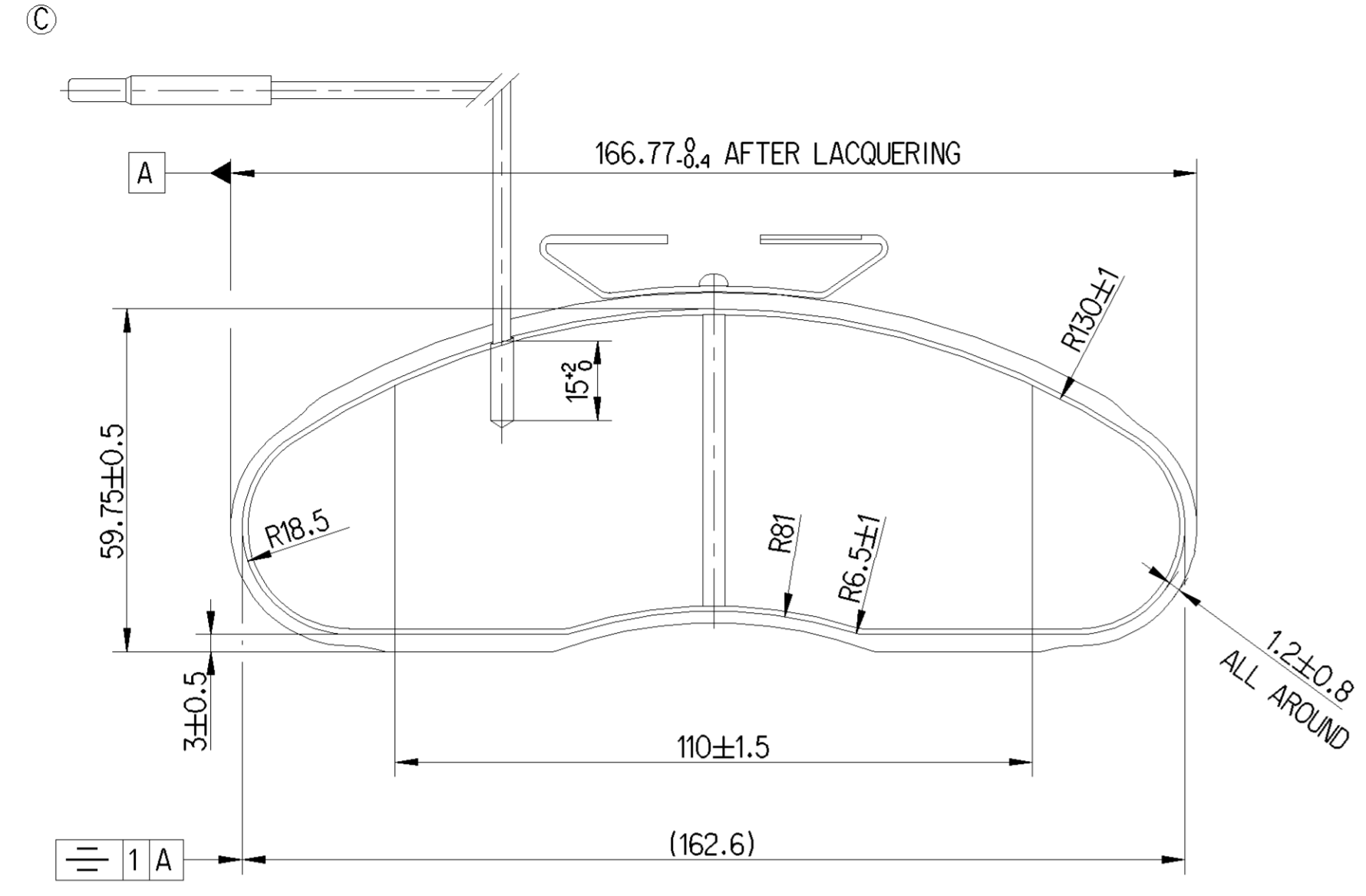
Doc. Code: 005 EN Language: 1/2

ECN No.: 176942 Revision: 10 x C Tech. Resp.: 0959

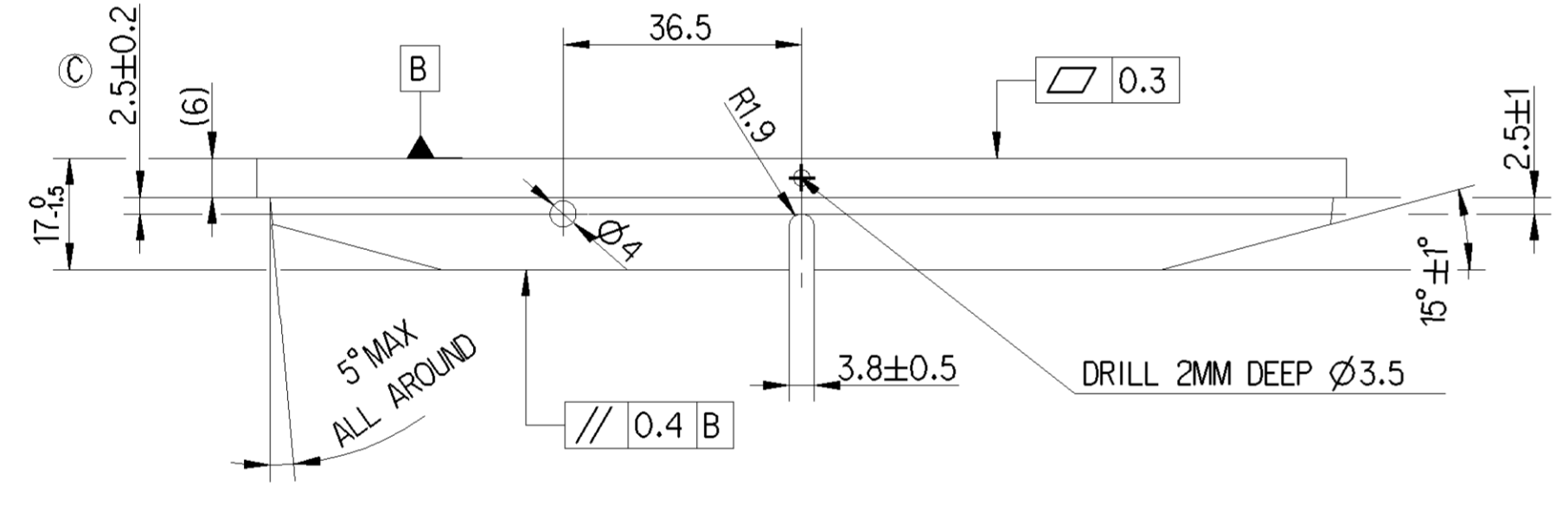
1) Tolerance Class Applied Crossmarked

Non è permesso copiare o riprodurre questo documento, né utilizzare il contenuto a fini di lucro o per la produzione di altri documenti, senza il permesso scritto della WABCO. Tutti i diritti sono riservati. © WABCO. L'uso non autorizzato di questo documento è vietato. Toute réimpression ou reproduction de ce document, sans l'autorisation écrite de la WABCO, est formellement interdite. Toute utilisation non autorisée de ce document est formellement interdite.

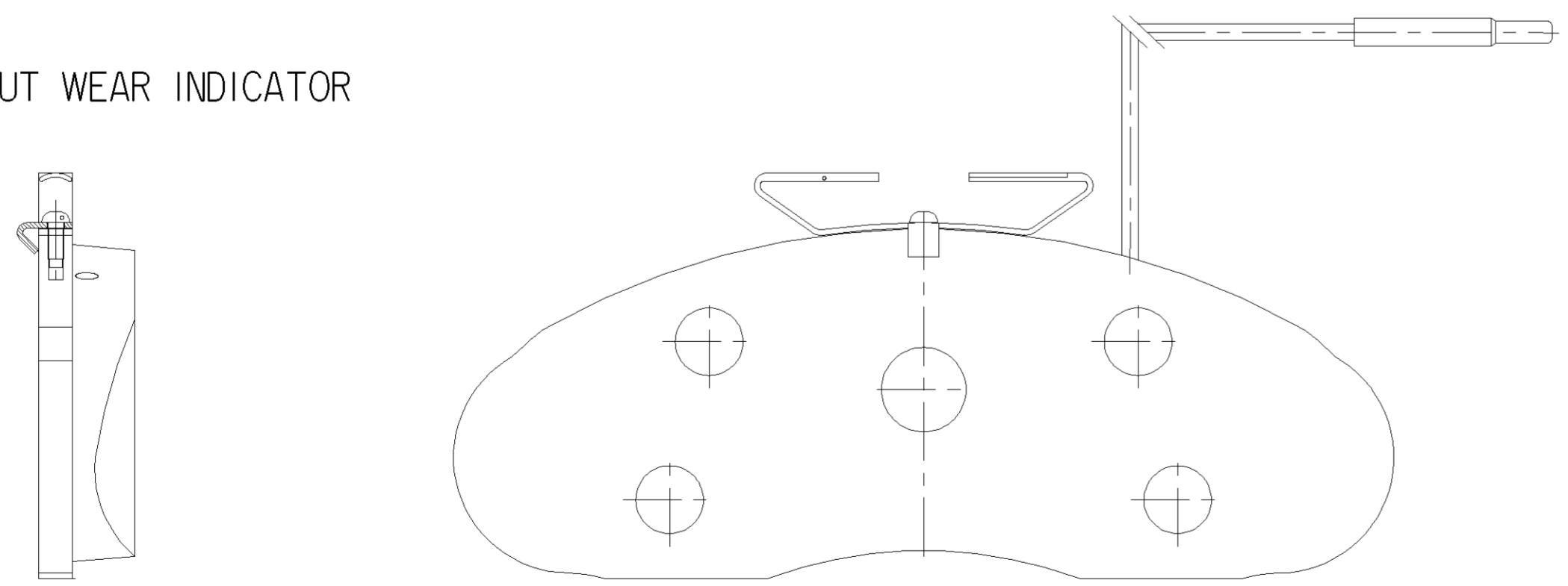
2



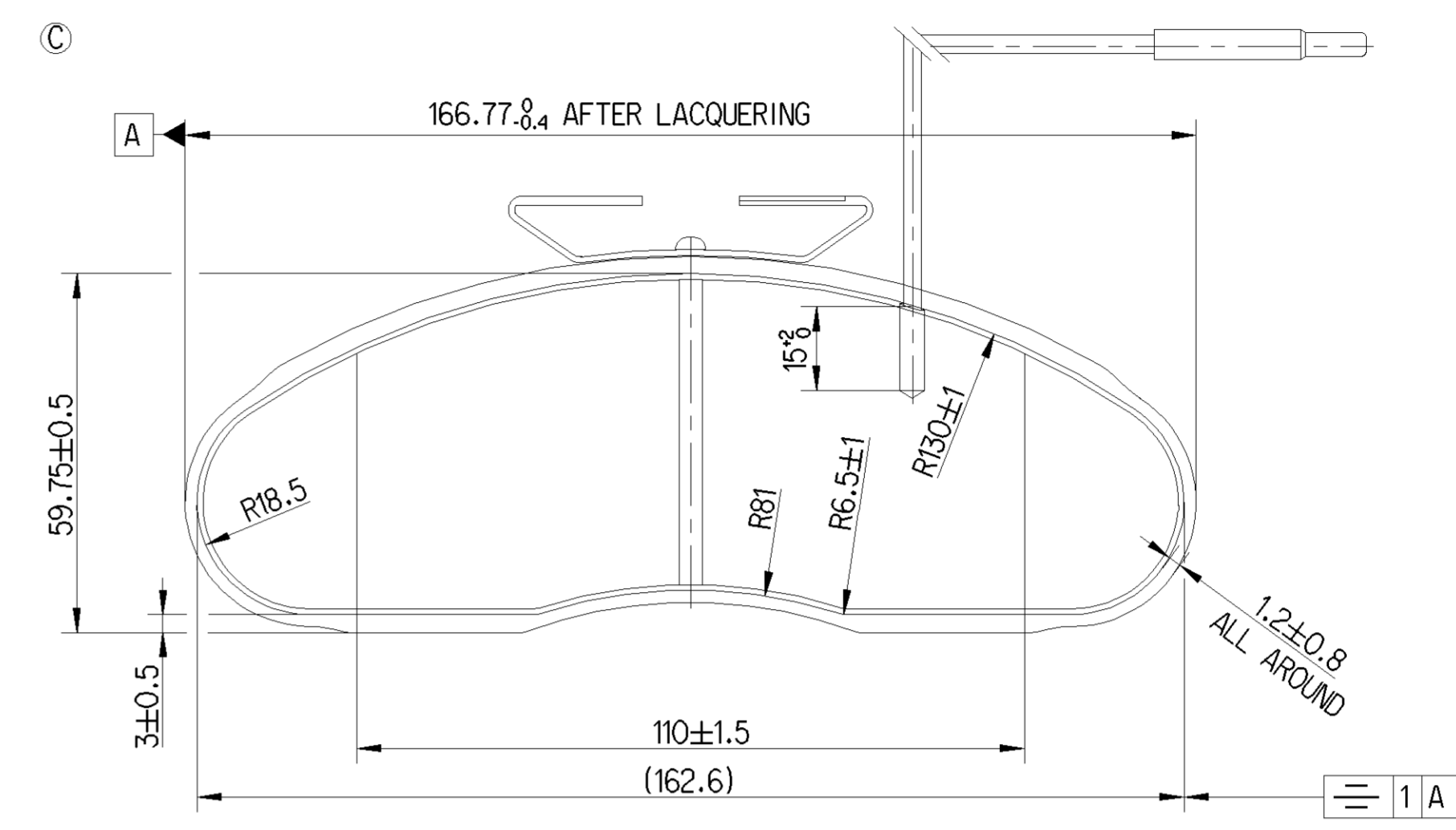
VIEW WITHOUT CLIP AND WEAR INDICATOR



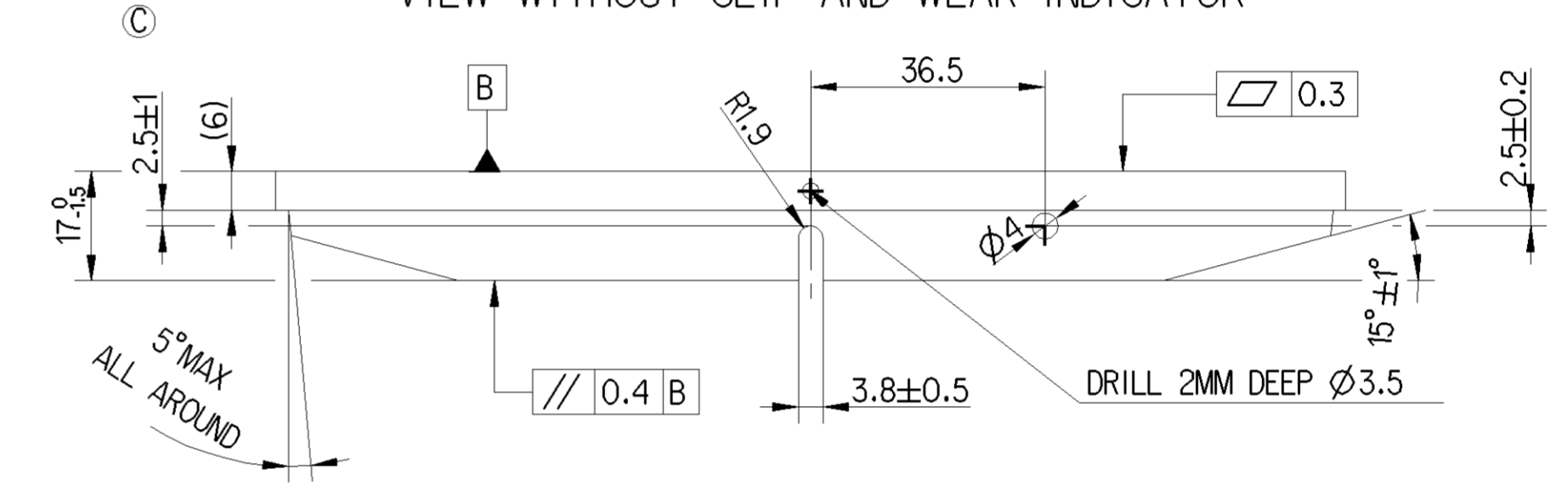
VIEW WITHOUT WEAR INDICATOR



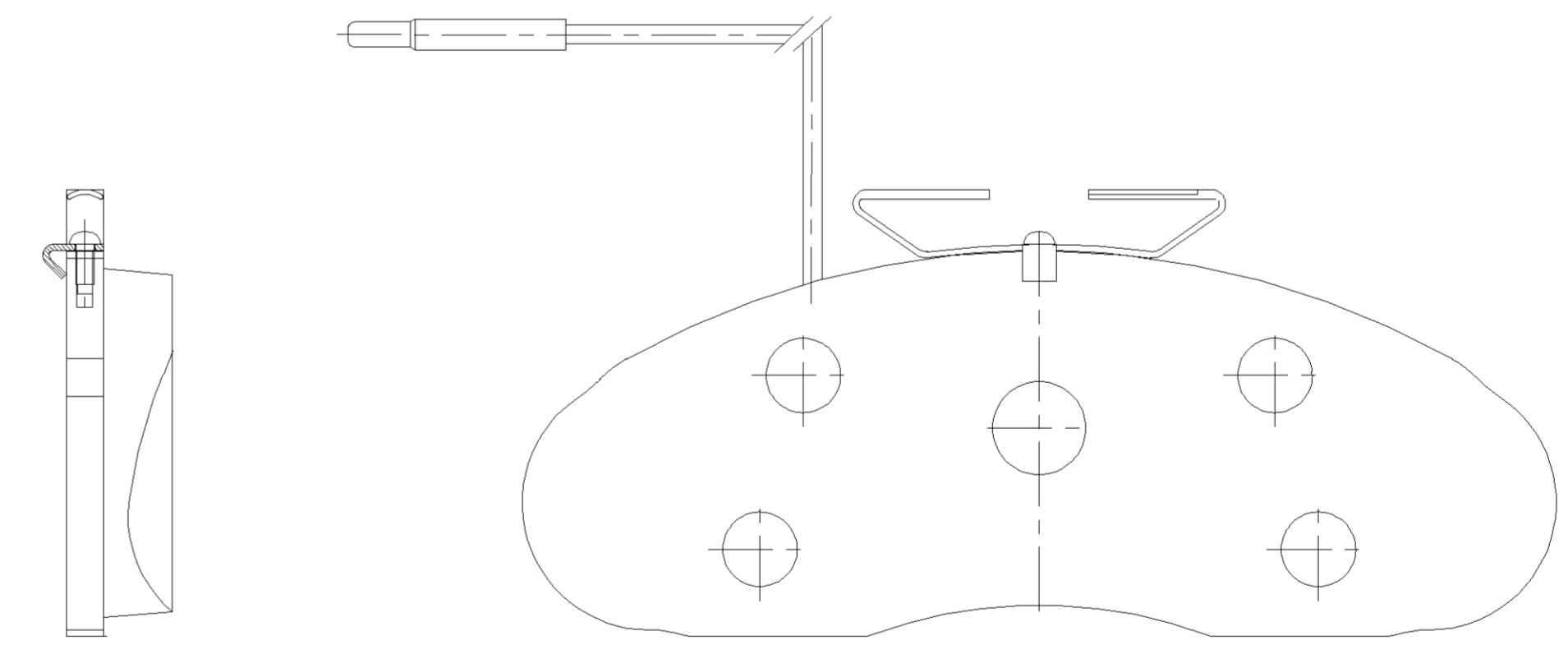
3



VIEW WITHOUT CLIP AND WEAR INDICATOR



VIEW WITHOUT WEAR INDICATOR



POS.	NAME	QUANTITY	VVA NUMBER
1	BRAKE PAD	2	29706
2	BRAKE PAD	1	29984
3	BRAKE PAD	1	29985

Copyright WABCO®

ProVia

PAD KIT

Doc. Code: 014	Sheet: 1	To: 1	Date: 2018-07-20	Drawn: Cebulo	Signature:
General Tolerances JED-261			Checked: Marcinkiewicz		
Range of Nominal Dimensions (± mm)			Expert: Liszwan		
Class	1)	≤ 50	> 50 < 180	≥ 180 < 400	> 400
Fine		0.5	1.0	1.5	2.0
Medium	X	1.0	2.0	3.0	4.0
Coarse		2.0	3.5	5.0	6.5
Tapped Holes acc. -					
1) Tolerance Class Applied Crossmarked					

Mass	Scale	Material No.	Date of first issue:
2.5	1:1	340 904 005 2	2016-09-26
Size	CAD System	Doc. Code	Language
A 1	CREO	005	EN
ECH-No.	Revision	Techn. Resp.	Replacement for
176942	10 x C	0959	-

Non è permesso copiare o riprodurre questo documento, né utilizzare il contenuto a fini commerciali, senza permesso scritto dalla WABCO. È vietata espressamente la ristampa o l'uso non autorizzato. Toute réimpression ou utilisation non autorisée sans la permission écrite de la WABCO est formellement interdite. Toute utilisation non autorisée sera considérée comme une violation des lois en vigueur. All rights reserved. No part of this document may be reproduced, stored in a retrieval system, or transmitted in any form or by any means, electronic, mechanical, photocopying, recording, or by any information storage and retrieval system, without the prior written permission of WABCO. This document is the subject of copyright. All rights reserved.